



US00D710365S

(12) **United States Design Patent**
Huang

(10) **Patent No.:** **US D710,365 S**

(45) **Date of Patent:** **** Aug. 5, 2014**

(54) **RUGGED NOTEBOOK COMPUTER SUPPORTING STAND**

(71) Applicant: **Getac Technology Corporation**,
Hsinchu County (TW)

(72) Inventor: **Tzu-Chiu Huang**, Taipei (TW)

(73) Assignee: **Getac Technology Corporation**,
Hsinchu County (TW)

(**) Term: **14 Years**

(21) Appl. No.: **29/466,693**

(22) Filed: **Sep. 10, 2013**

(51) **LOC (10) Cl.** **08-03**

(52) **U.S. Cl.**
USPC **D14/447**

(58) **Field of Classification Search**

CPC A47B 2097/005; A47B 2097/006;
A47B 21/04; A47B 2021/00; A47B 23/00;
A47B 23/043; A47B 2021/0314; A47B
2021/0307; A47B 2023/005; A47B 2023/049;
F16M 13/00; F16M 2200/00; H04B 1/3888;
H04M 1/04; H04M 1/185; A45C 13/002;
A45C 2011/002; A45C 2011/003; A45C
2013/025; A45F 2200/0516; A45F 2200/0525;
G06F 1/163
USPC D14/447, 432, 434, 439, 440, 451, 452,
D14/457, 460, 461, 238.1, 250, 251, 253;
D3/218; D6/406.3, 406.4, 406.5,
D6/406.6; 248/444, 441.1, 188.6,
248/917-924; 361/679.02, 679.03, 679.04,
361/679.09, 679.21, 679.26, 679.27, 679.3,
361/679.55, 679.56

See application file for complete search history.

(56) **References Cited**

U.S. PATENT DOCUMENTS

D356,532 S *	3/1995	Butzman	D12/133
D620,942 S *	8/2010	Huang	D14/447
D626,129 S *	10/2010	Lutz	D14/447
D682,282 S *	5/2013	Steinfeld	D14/447
D688,671 S *	8/2013	Avganim	D14/447
D692,013 S *	10/2013	Crysell	D14/447
D692,437 S *	10/2013	Sugino et al.	D14/447
D693,824 S *	11/2013	Erdfarb	D14/447
D695,748 S *	12/2013	Morris et al.	D14/447
D696,260 S *	12/2013	Merea	D14/447
D696,671 S *	12/2013	Carnevali	D14/447

* cited by examiner

Primary Examiner — Angela J Lee

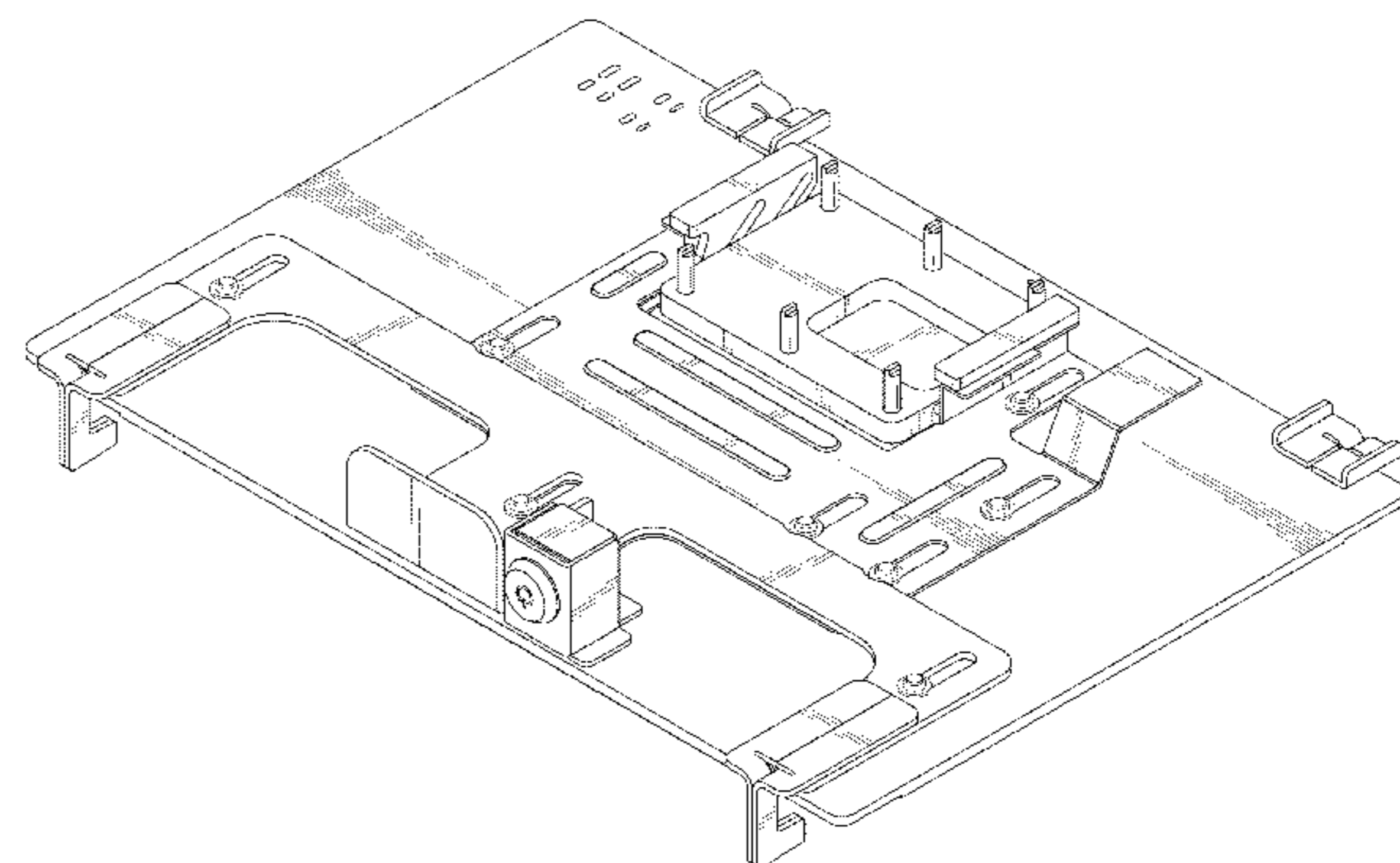
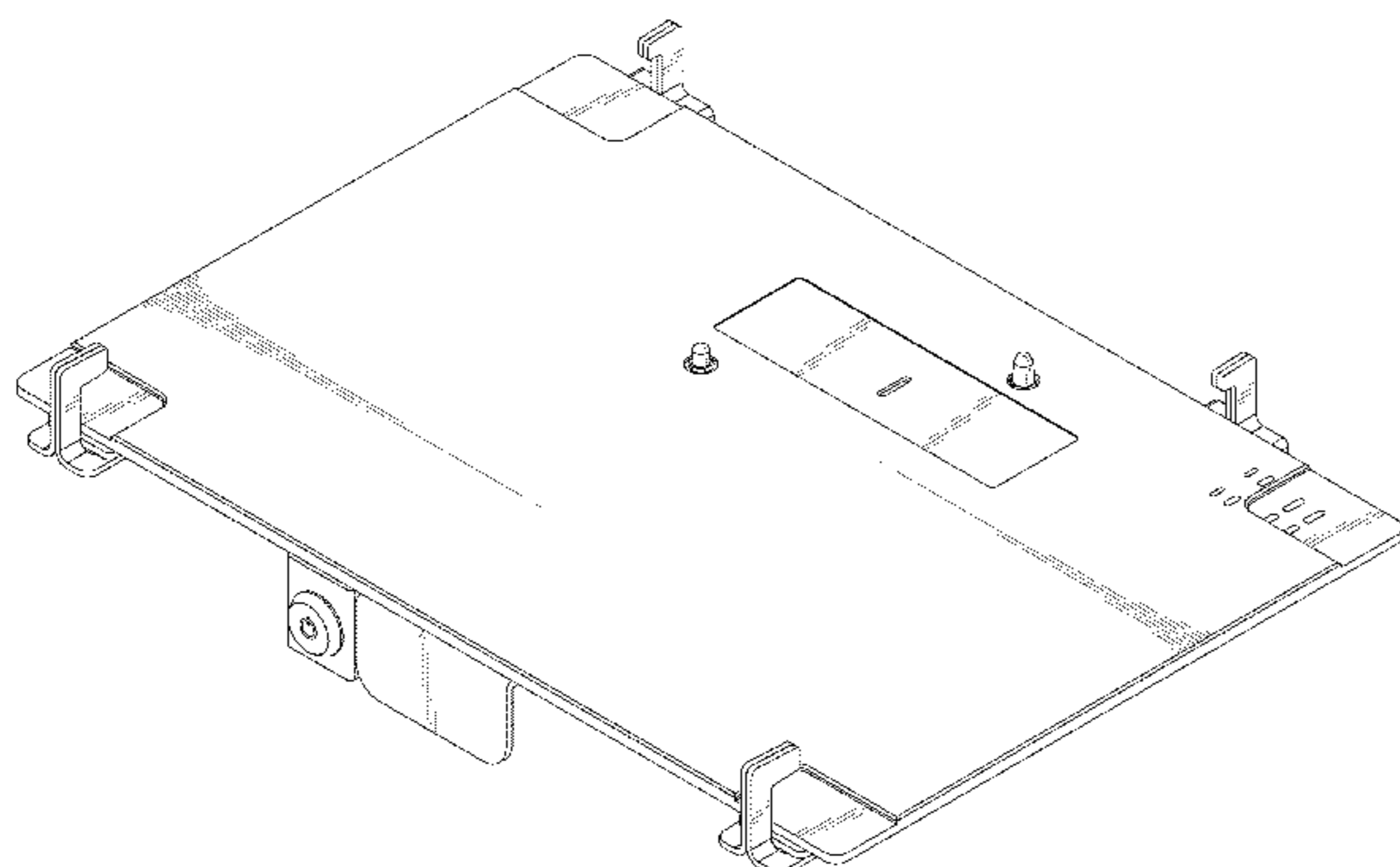
(57) **CLAIM**

The ornamental design for a rugged notebook computer supporting stand, as shown and described.

DESCRIPTION

FIG. 1 is a front perspective view of a rugged notebook computer supporting stand showing my new design; FIG. 2 is a rear perspective view thereof; FIG. 3 is a front view thereof; FIG. 4 is a rear view thereof; FIG. 5 is a left side view thereof; FIG. 6 is right side view thereof; FIG. 7 is a top view thereof; FIG. 8 is a bottom view thereof; and, FIG. 9 is a perspective view thereof, but with a broken line electronic device shown mounted on the stand. The broken lines showing the electronic device form no part of the claimed design.

1 Claim, 7 Drawing Sheets



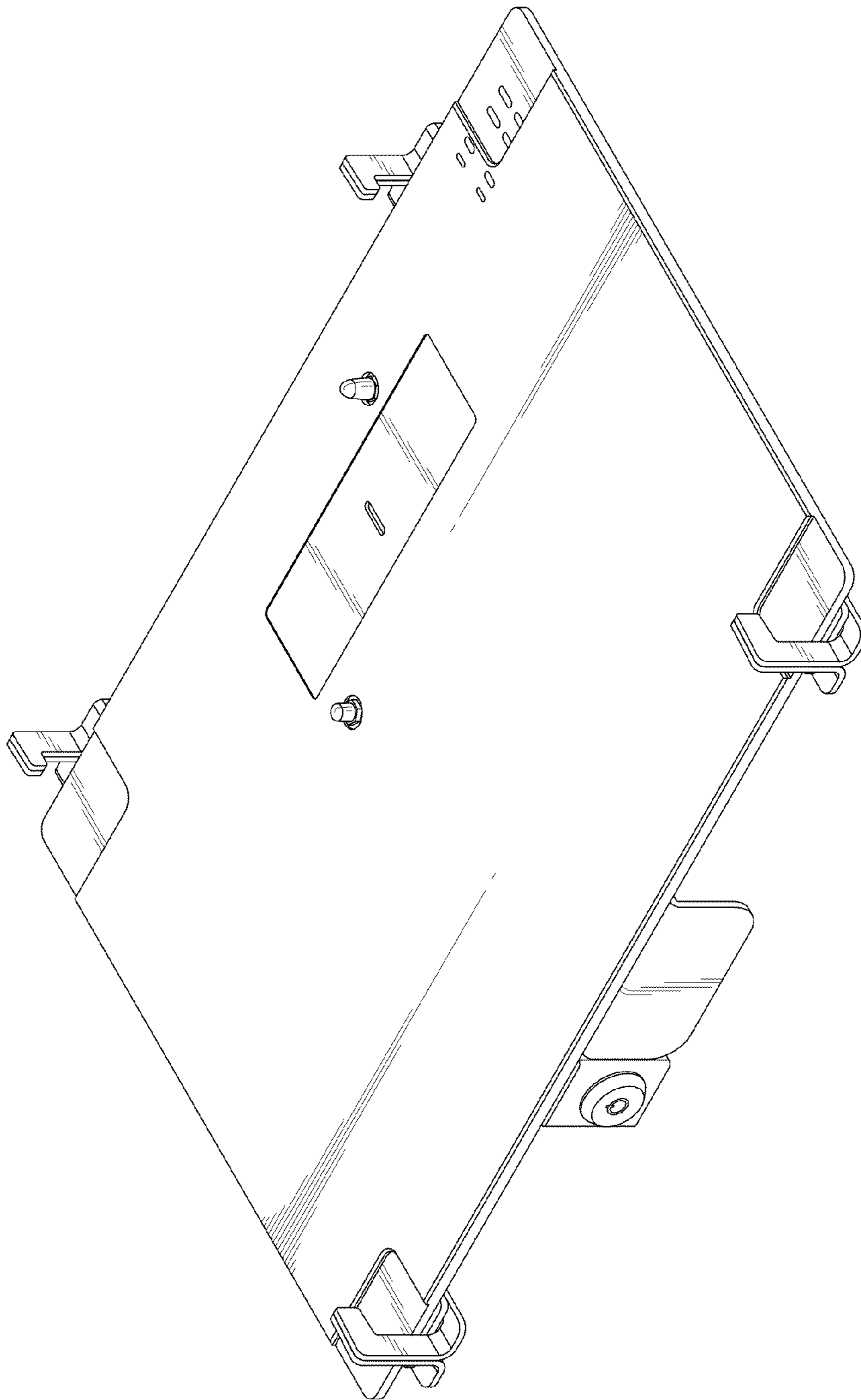


FIG. 1

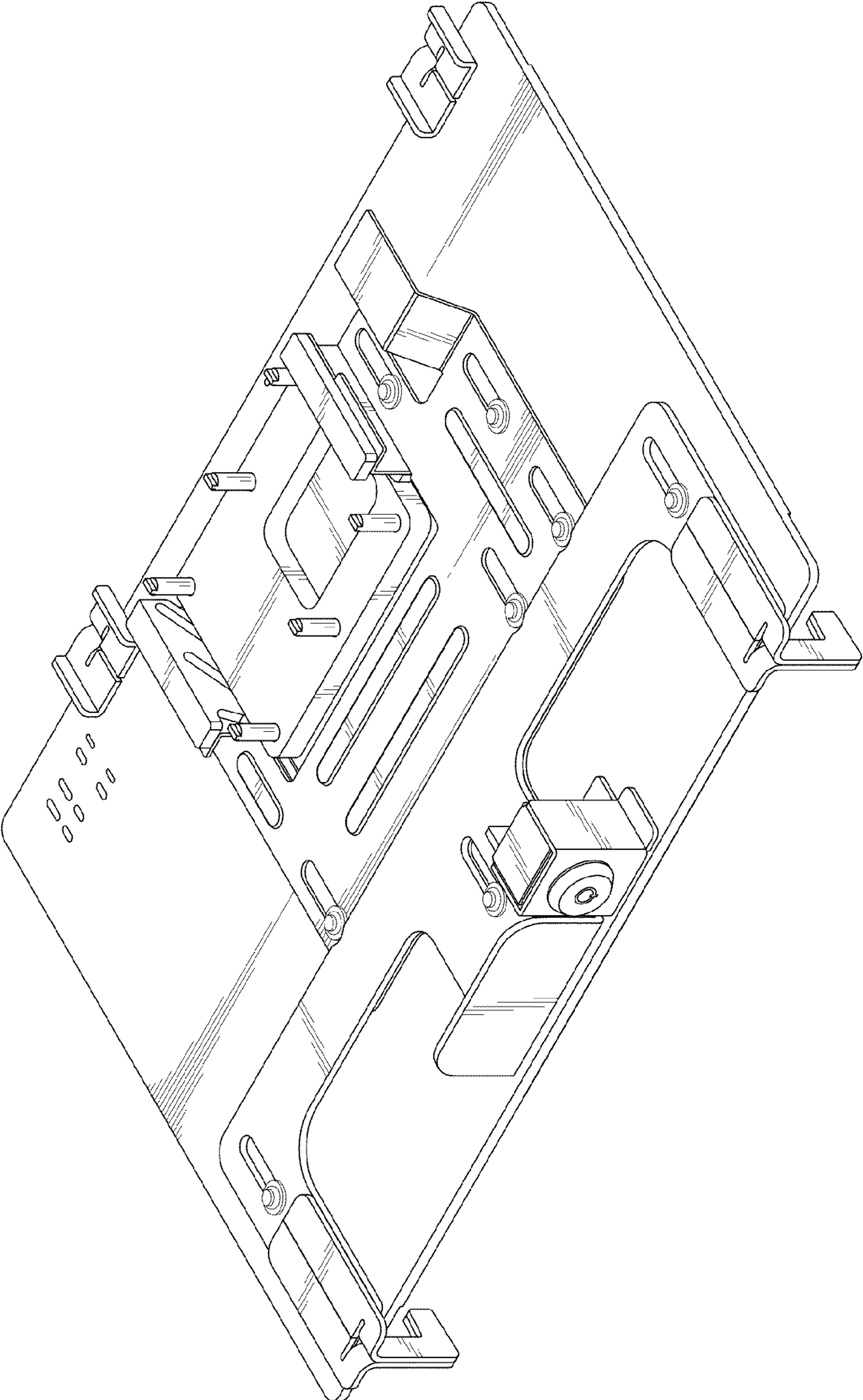


FIG. 2

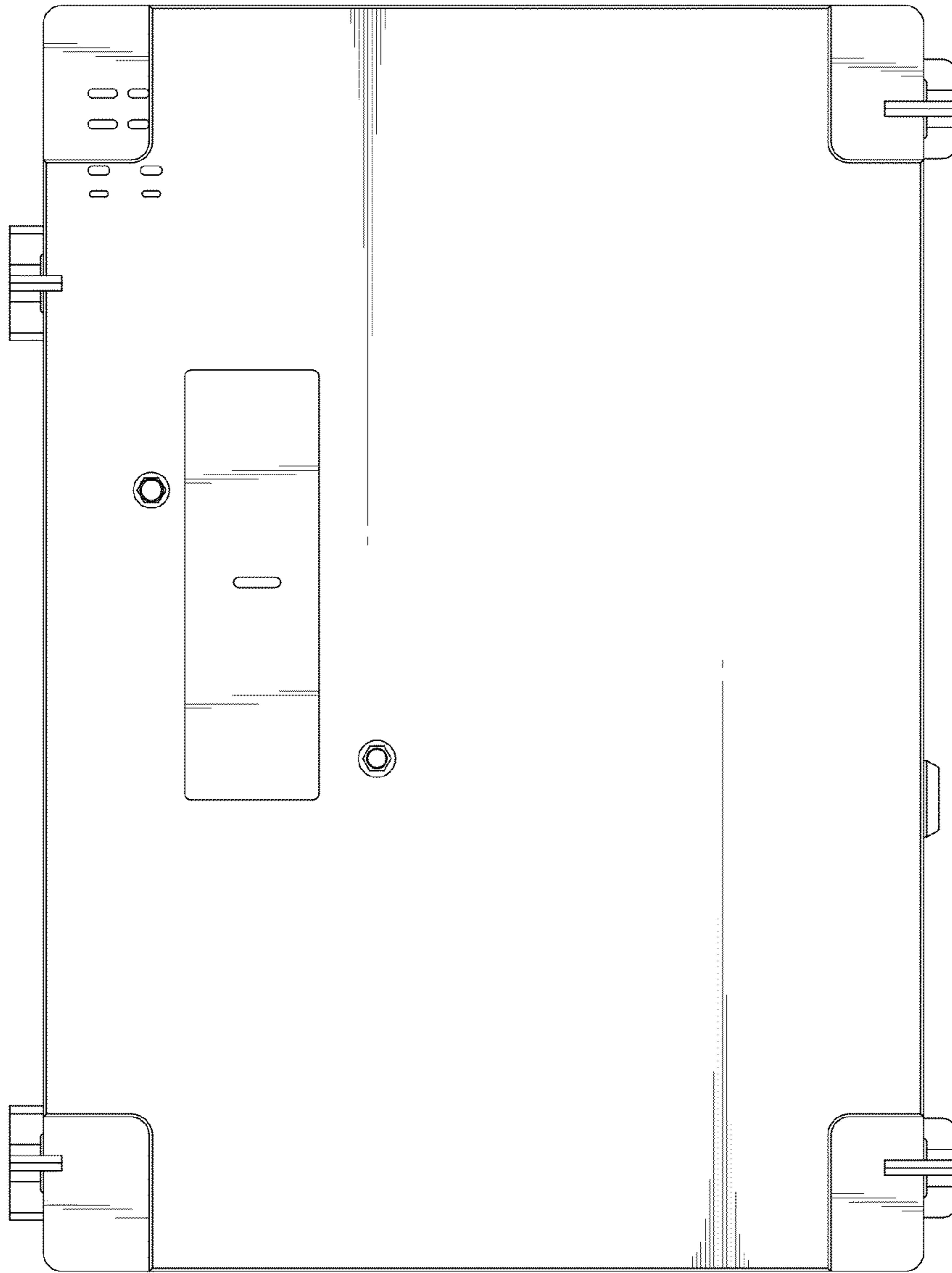


FIG. 3

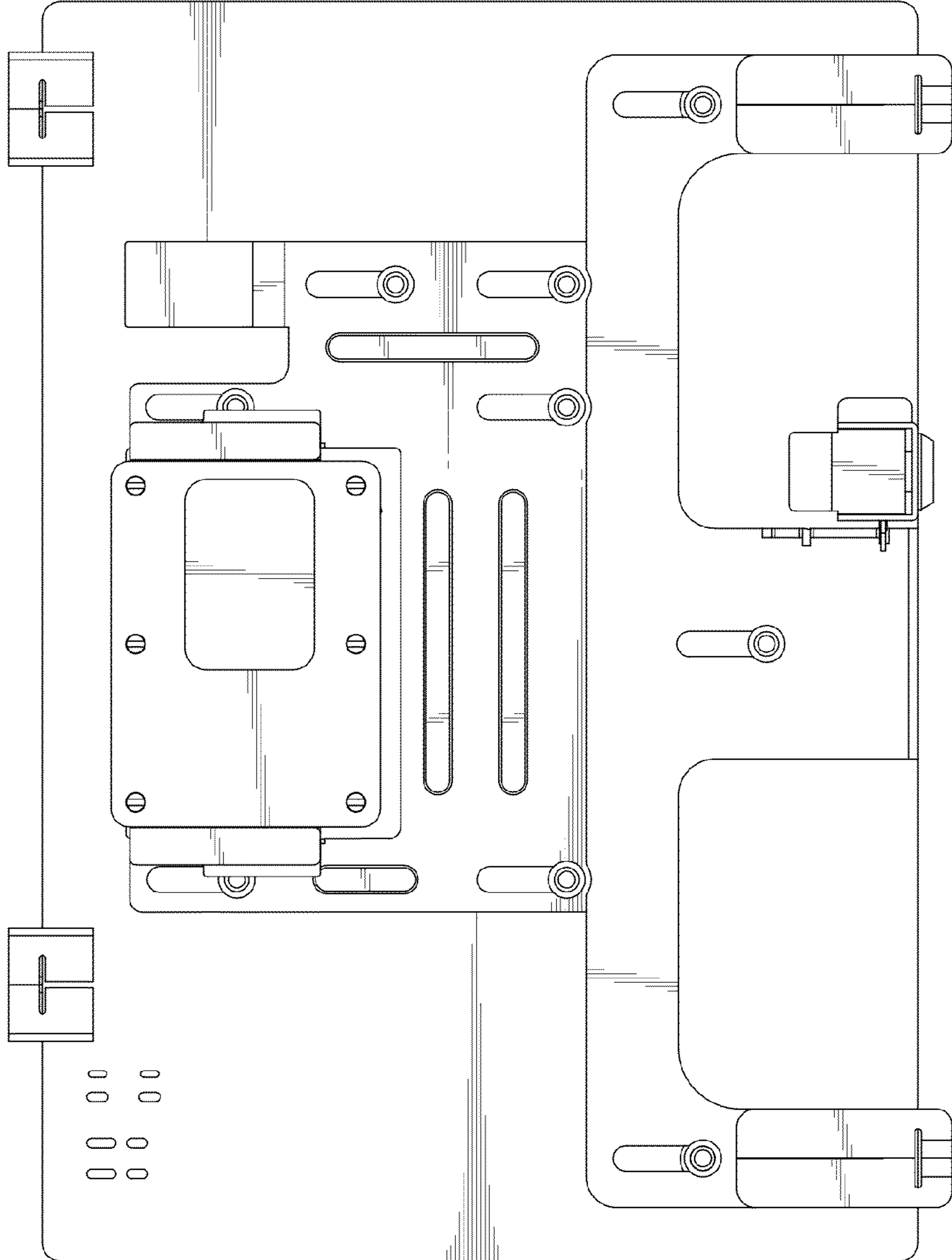


FIG. 4

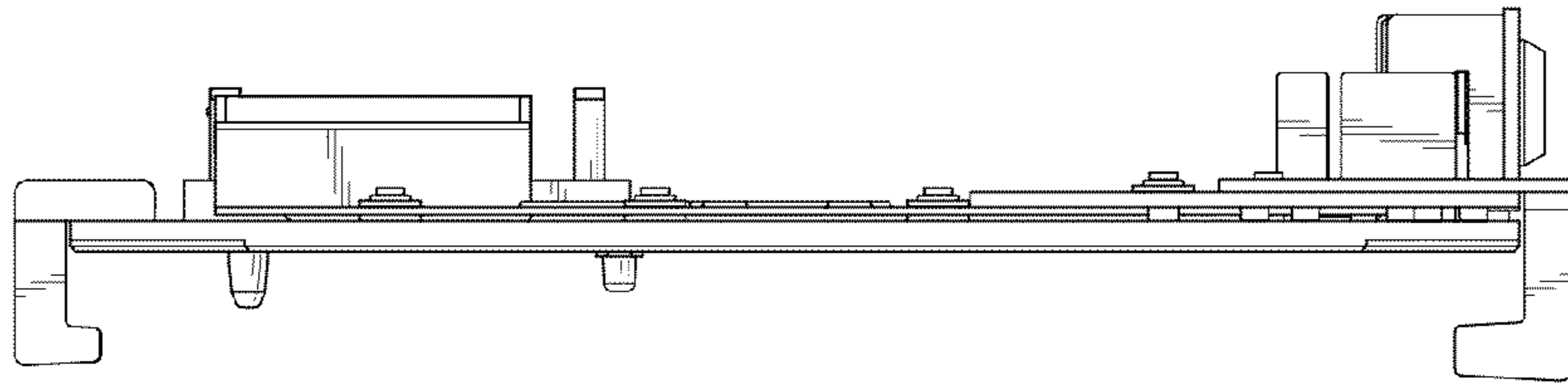


FIG. 6

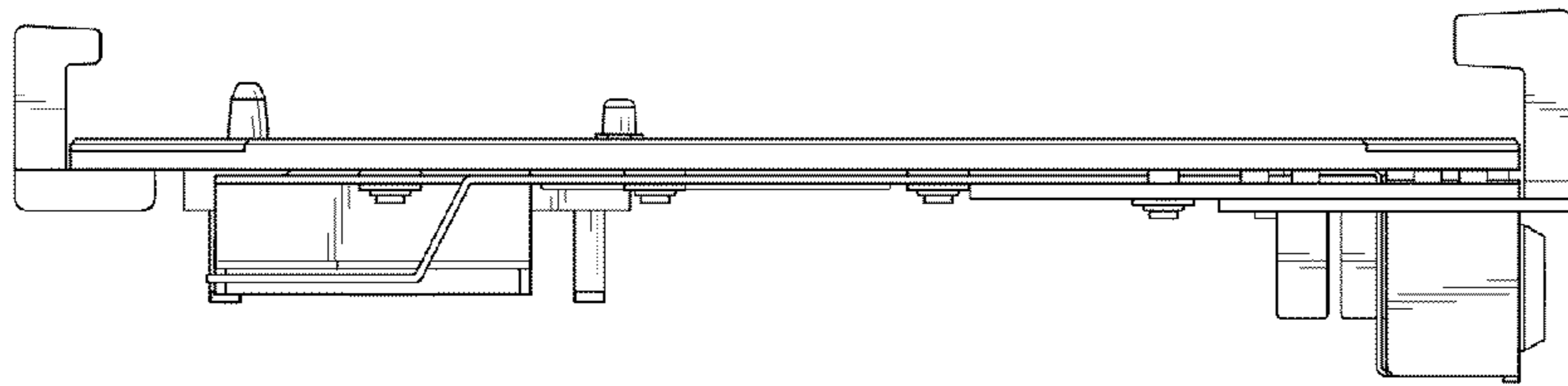


FIG. 5

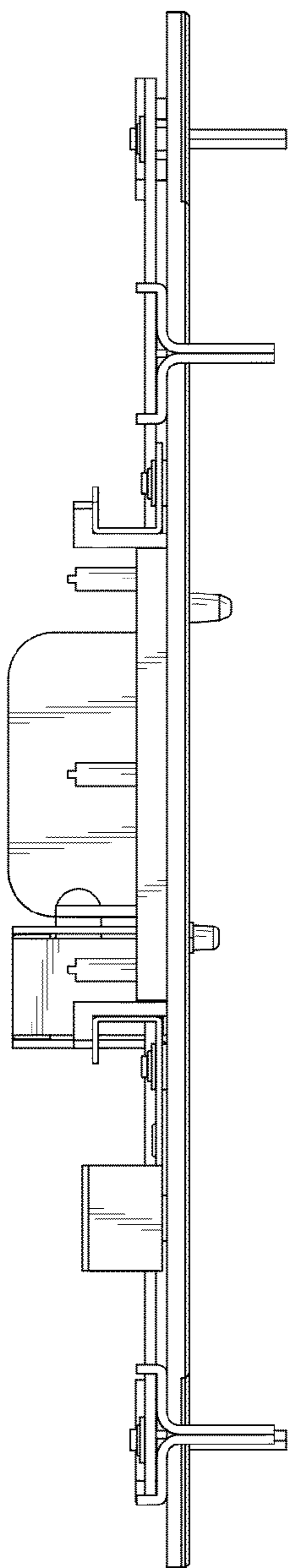


FIG. 7

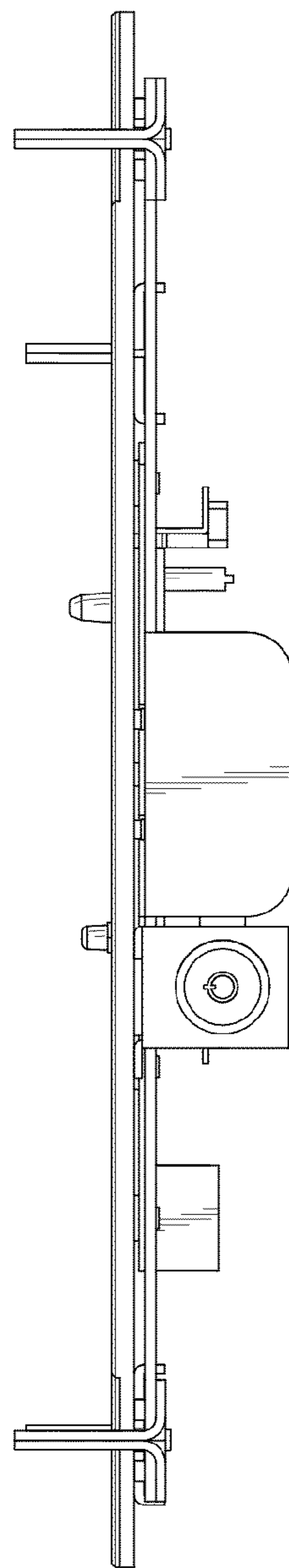


FIG. 8

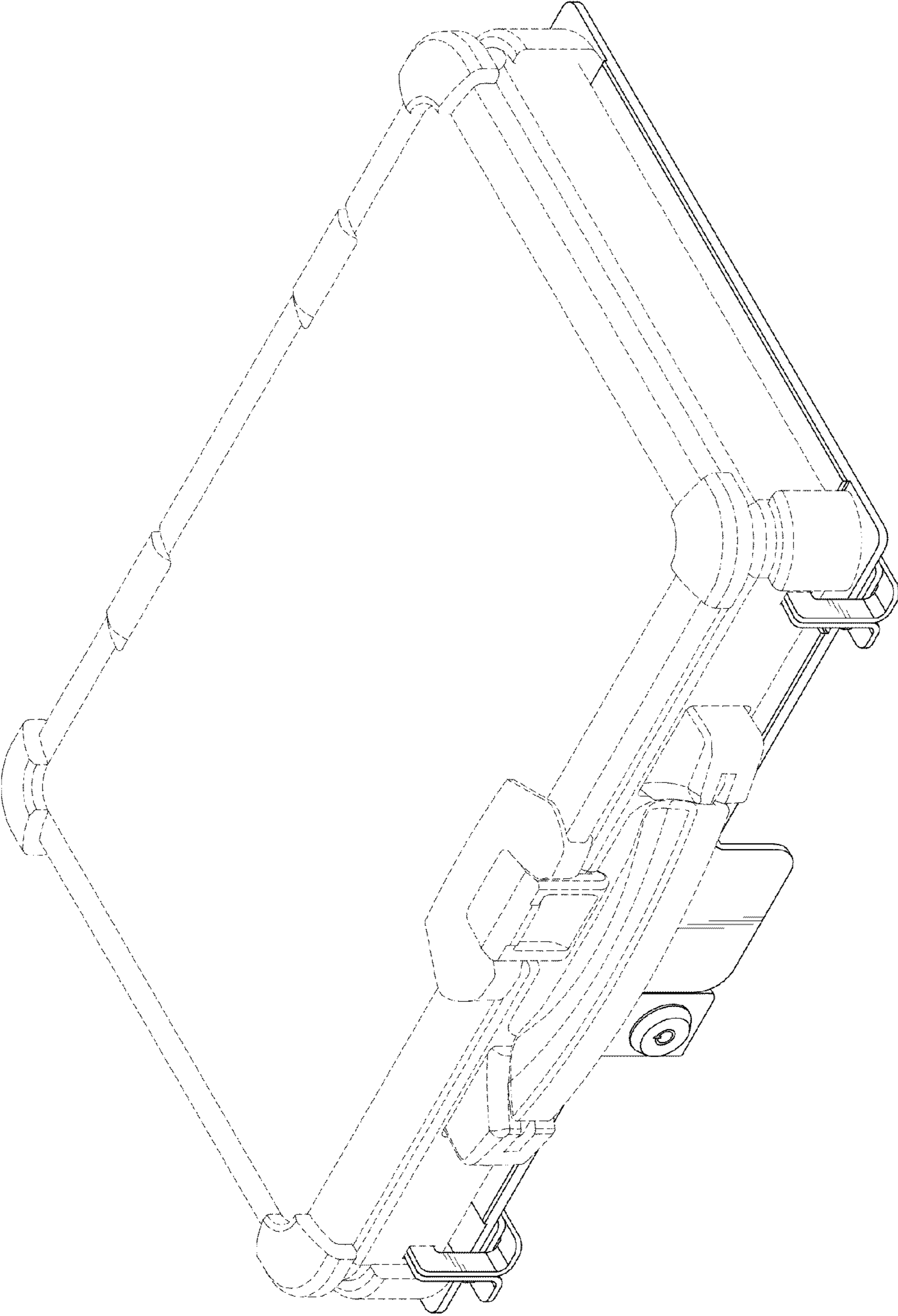


FIG. 9