



US00D710362S

(12) **United States Design Patent**  
**Kaminsky et al.**

(10) **Patent No.:** **US D710,362 S**  
(45) **Date of Patent:** **\*\* Aug. 5, 2014**

- (54) **BARCODE SCANNING DEVICE**
- (71) Applicant: **Motorola Solutions, Inc.**, Schaumburg, IL (US)
- (72) Inventors: **Michael A. Kaminsky**, Hicksville, NY (US); **Jaeho Choi**, Whitestone, NY (US); **Sunghun Lim**, Bethpage, NY (US); **Mark C. Palmer**, Bay Shore, NY (US)
- (73) Assignee: **Motorola Solutions, Inc.**, Schaumburg, IL (US)
- (\*\*) Term: **14 Years**
- (21) Appl. No.: **29/458,380**
- (22) Filed: **Jun. 19, 2013**
- (51) **LOC (10) Cl.** ..... **14-02**
- (52) **U.S. Cl.**  
USPC ..... **D14/426; D14/420**
- (58) **Field of Classification Search**  
USPC ..... D14/420, 426-430, 218, 341, 371, 347, D14/147, 138, 172, 191, 188, 137, 240, 299, D14/434, 149, 253; D24/155, 186; 340/539.32, 539.13, 815.42, 825.49, 340/5.52-5.53, 5.8, 5.81-5.83; D10/78, D10/104, 116; D13/168, 108; 235/383, 235/472.01-472.03, 462.43, 462.45, 454, 235/460, 462.3, 462.01; D21/329; 382/115, 382/124, 125-127; 902/3-5  
See application file for complete search history.

(56) **References Cited**

**U.S. PATENT DOCUMENTS**

D189,877 S *	3/1961	Mosing .....	D14/148
D190,867 S *	7/1961	Mosing .....	D14/147
D193,662 S *	9/1962	Hagelbarger .....	D14/147
D193,663 S *	9/1962	Hagelbarger .....	D14/147
D194,538 S *	2/1963	Brown .....	D14/147

D196,921 S *	11/1963	Mattke .....	D14/147
D202,787 S *	11/1965	Dreyfuss et al. ....	D14/148
D210,668 S *	4/1968	Janda .....	D14/248
D211,362 S *	6/1968	Janda .....	D14/147
D215,664 S *	10/1969	Dreyfuss et al. ....	D14/148
D244,142 S *	4/1977	Bliven .....	D14/248
D244,145 S *	4/1977	Bliven .....	D14/248
D244,206 S *	5/1977	Klepa .....	D14/248
D244,211 S *	5/1977	Bliven .....	D14/248
D257,977 S *	1/1981	Blomberg .....	D14/148
D266,561 S *	10/1982	Bee et al. ....	D14/248
D270,445 S *	9/1983	Chen .....	D14/147
D270,835 S *	10/1983	Taylor .....	D14/147
D271,393 S *	11/1983	Carr .....	D14/248
D279,004 S *	5/1985	Ryan .....	D14/248
D279,005 S *	5/1985	Genaro et al. ....	D14/248
D280,619 S *	9/1985	Brown et al. ....	D14/248
D282,362 S *	1/1986	Brown et al. ....	D14/248
D282,542 S *	2/1986	Mo .....	D14/148
D282,543 S *	2/1986	Baum .....	D14/148
D282,658 S *	2/1986	Abrams .....	D14/248

(Continued)

*Primary Examiner* — Susan Moon Lee

(74) *Attorney, Agent, or Firm* — Barbara R. Doutre; Michael J. Giannetta

(57) **CLAIM**

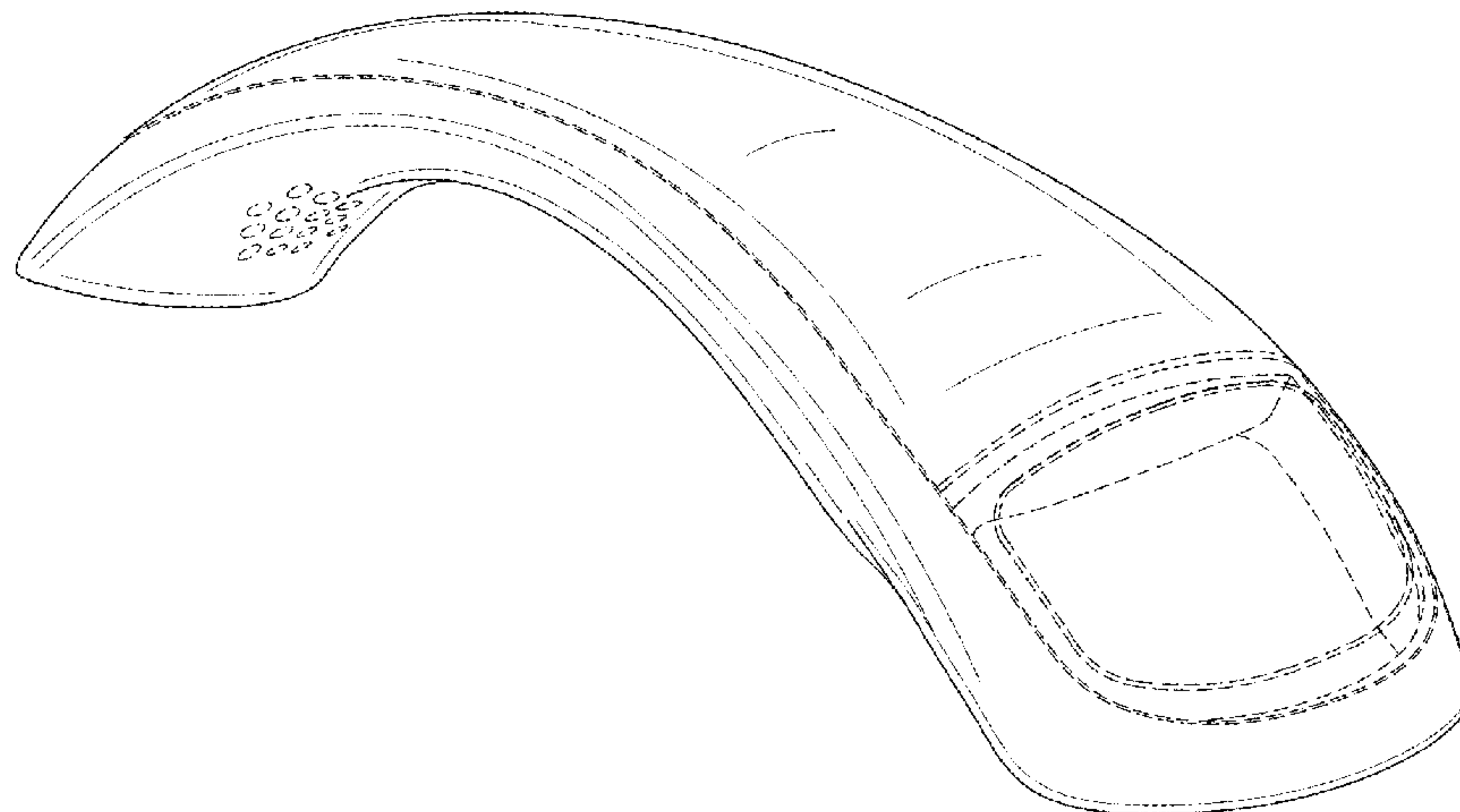
The ornamental design for a barcode scanning device, as shown and described.

**DESCRIPTION**

FIG. 1 is a perspective view of an ornamental design for a barcode scanning device;  
 FIG. 2 is a top view thereof;  
 FIG. 3 is a first side view thereof;  
 FIG. 4 is a bottom view thereof;  
 FIG. 5 is a second side view thereof;  
 FIG. 6 is a rear view thereof; and,  
 FIG. 7 is a front view thereof.

Broken lines and unshaded portions contained within broken lines are not claimed.

**1 Claim, 4 Drawing Sheets**





(56)

## References Cited

## U.S. PATENT DOCUMENTS

D282,659	S	*	2/1986	Abrams	.....	D14/248	5,506,605	A	*	4/1996	Paley	.....	345/163
D282,739	S	*	2/1986	Salovaara	.....	D14/147	5,512,892	A	*	4/1996	Corballis et al.	.....	341/22
D283,126	S	*	3/1986	Marshall	.....	D14/147	D371,350	S	*	7/1996	Chavarria	.....	D14/402
D283,709	S	*	5/1986	Williams et al.	.....	D14/147	D372,908	S	*	8/1996	Aeschbacher et al.	.....	D14/407
D284,858	S	*	7/1986	Kao	.....	D14/248	D372,919	S	*	8/1996	Nagele et al.	.....	D14/248
D285,790	S	*	9/1986	Harrison et al.	.....	D14/148	5,546,471	A	*	8/1996	Merjanian	.....	382/124
D287,124	S	*	12/1986	Becker	.....	D14/148	D374,875	S	*	10/1996	Graves	.....	D14/248
D287,248	S	*	12/1986	Reichenstein	.....	D14/248	5,563,628	A	*	10/1996	Stroop	.....	345/156
D287,721	S	*	1/1987	Perkins	.....	D14/151	D375,729	S	*	11/1996	Aeschbacher et al.	.....	D14/407
4,656,345	A	*	4/1987	Kurimoto	.....	235/462.25	D375,750	S	*	11/1996	Nuttall et al.	.....	D14/248
D291,083	S	*	7/1987	Davidson	.....	D14/248	D377,024	S	*	12/1996	Andrea	.....	D14/218
D291,305	S	*	8/1987	Harrison et al.	.....	D14/148	D377,354	S	*	1/1997	Nuttall et al.	.....	D14/248
D293,795	S	*	1/1988	Yamamoto	.....	D14/428	D381,980	S	*	8/1997	Andrea	.....	D14/148
D295,411	S	*	4/1988	Cho et al.	.....	D14/347	5,668,574	A	*	9/1997	Jarlance-Huang	.....	345/158
4,736,411	A	*	4/1988	Chan	.....	379/368	D385,539	S	*	10/1997	Taylor	.....	D14/388
4,739,128	A	*	4/1988	Grisham	.....	200/6 A	D385,540	S	*	10/1997	Taylor	.....	D13/168
D295,745	S	*	5/1988	Reichenstein	.....	D14/148	D390,844	S	*	2/1998	Tung	.....	D14/148
D295,975	S	*	5/1988	Taylor et al.	.....	D14/147	D394,065	S	*	5/1998	Nuttall et al.	.....	D14/248
D297,009	S	*	8/1988	Grambush et al.	.....	D14/138 R	D402,028	S	*	12/1998	Grimm et al.	.....	D24/133
D297,732	S	*	9/1988	Chan	.....	D14/149	5,844,228	A	*	12/1998	Nukui et al.	.....	235/472.01
D298,827	S	*	12/1988	Miozzo	.....	D14/149	D404,717	S	*	1/1999	Duchon et al.	.....	D13/168
D299,135	S	*	12/1988	Rhodes	.....	D14/248	D406,126	S	*	2/1999	Massieu et al.	.....	D14/428
D300,743	S	*	4/1989	Zaugg et al.	.....	D14/147	D407,703	S	*	4/1999	Stokes	.....	D14/147
4,818,847	A	*	4/1989	Hara et al.	.....	235/455	D408,825	S	*	4/1999	Johnson et al.	.....	D14/248
D301,578	S	*	6/1989	Sasaki et al.	.....	D14/248	D411,845	S	*	7/1999	Laufer et al.	.....	D14/147
D301,874	S	*	6/1989	Roegner	.....	D14/148	5,929,425	A	*	7/1999	Kanno	.....	235/472.01
4,862,165	A	*	8/1989	Gart	.....	341/20	D416,883	S	*	11/1999	Wagner et al.	.....	D14/426
D304,189	S	*	10/1989	Nagele et al.	.....	D14/147	D419,998	S	*	2/2000	Leifer	.....	D14/150
D304,588	S	*	11/1989	Desbarats	.....	D14/248	D430,130	S	*	8/2000	Lytel	.....	D14/147
4,930,848	A	*	6/1990	Knowles	.....	359/196.1	D430,560	S	*	9/2000	Carazon Climent	.....	D14/248
D309,726	S	*	8/1990	Sasaki et al.	.....	D14/248	D433,416	S	*	11/2000	Strand et al.	.....	D14/426
D309,898	S	*	8/1990	Azpeitia Ortiz de Arri	.....	D14/148	D434,021	S	*	11/2000	Brewer	.....	D14/147
D311,917	S	*	11/1990	de Arri	.....	D14/151	D442,931	S	*	5/2001	Lewis	.....	D14/147
D312,256	S	*	11/1990	Blomberg	.....	D14/147	6,338,434	B1	*	1/2002	Wilz et al.	.....	235/462.01
D316,411	S	*	4/1991	Faliero	.....	D14/147	D455,750	S	*	4/2002	Krantz	.....	D14/426
D319,436	S	*	8/1991	Matsushita	.....	D14/428	D470,497	S	*	2/2003	Byun et al.	.....	D14/426
D320,981	S	*	10/1991	Conversano et al.	.....	D14/431	D473,942	S	*	4/2003	Motoki et al.	.....	D24/137
D323,505	S	*	1/1992	Faliero	.....	D14/151	D477,602	S	*	7/2003	Alsio	.....	D14/405
D324,682	S	*	3/1992	Renard et al.	.....	D14/151	D483,752	S	*	12/2003	Fahrendorff	.....	D14/248
D325,915	S	*	5/1992	Nagele et al.	.....	D14/248	D487,463	S	*	3/2004	Akiyama et al.	.....	D14/405
D331,058	S	*	11/1992	Morales	.....	D14/218	6,761,317	B1	*	7/2004	Knowles et al.	.....	235/472.01
D331,576	S	*	12/1992	Yamanaka	.....	D14/428	D493,796	S	*	8/2004	Lin et al.	.....	D14/426
D331,759	S	*	12/1992	Renard	.....	D14/151	D495,711	S	*	9/2004	Willat et al.	.....	D14/402
D332,446	S	*	1/1993	Lin	.....	D14/411	6,809,722	B2	*	10/2004	Mei et al.	.....	345/163
D338,001	S	*	8/1993	Falkner et al.	.....	D14/431	6,850,221	B1	*	2/2005	Tickle	.....	345/158
D339,354	S	*	9/1993	Brunson	.....	D14/248	D507,573	S	*	7/2005	Wang et al.	.....	D14/407
D340,034	S	*	10/1993	Hofstetter et al.	.....	D14/426	D518,482	S	*	4/2006	Hodges et al.	.....	D14/426
D340,042	S	*	10/1993	Copper et al.	.....	D14/388	D526,315	S	*	8/2006	Rickard	.....	D14/250
5,256,866	A	*	10/1993	Conversano et al.	.....	235/472.03	D526,320	S	*	8/2006	Brandon et al.	.....	D14/426
D341,584	S	*	11/1993	Shepard et al.	.....	D14/428	D528,530	S	*	9/2006	Rose et al.	.....	D14/138 R
D342,064	S	*	12/1993	Harden	.....	D14/426	D529,016	S	*	9/2006	Rose et al.	.....	D14/138 R
D342,730	S	*	12/1993	Nagele	.....	D14/148	D529,468	S	*	10/2006	Rose et al.	.....	D14/138 R
D344,271	S	*	2/1994	Nagele	.....	D14/148	D529,469	S	*	10/2006	Rose et al.	.....	D14/138 R
D344,272	S	*	2/1994	Desbarats	.....	D14/248	D530,298	S	*	10/2006	Rose et al.	.....	D14/138 R
D344,525	S	*	2/1994	Gillett et al.	.....	D14/248	D531,585	S	*	11/2006	Weitgasser et al.	.....	D13/168
D344,945	S	*	3/1994	Nagele	.....	D14/148	D531,632	S	*	11/2006	Brandon et al.	.....	D14/426
5,296,871	A	*	3/1994	Paley	.....	345/163	D535,993	S	*	1/2007	Ueda	.....	D14/480.7
D346,171	S	*	4/1994	Ratcliffe	.....	D14/248	D550,214	S	*	9/2007	Francz et al.	.....	D14/218
D348,057	S	*	6/1994	Bradley	.....	D14/404	D551,660	S	*	9/2007	Francz et al.	.....	D14/218
D349,491	S	*	8/1994	Copper et al.	.....	D14/388	D556,201	S	*	11/2007	Ashida et al.	.....	D14/412
D350,736	S	*	9/1994	Takahashi et al.	.....	D14/417	D556,760	S	*	12/2007	Ashida et al.	.....	D14/412
D352,704	S	*	11/1994	Etoh	.....	D14/426	D562,898	S	*	2/2008	Allen, Jr.	.....	D19/60
D352,935	S	*	11/1994	Etoh	.....	D14/428	D563,252	S	*	3/2008	Minta	.....	D10/104.1
D352,939	S	*	11/1994	Karlin	.....	D14/426	D567,243	S	*	4/2008	Ashida et al.	.....	D14/412
D353,134	S	*	12/1994	Etoh	.....	D14/426	RE40,324	E	*	5/2008	Crawford	.....	345/157
D354,061	S	*	1/1995	Desbarats	.....	D14/248	D568,882	S	*	5/2008	Ashida et al.	.....	D14/400
D354,062	S	*	1/1995	Williams	.....	D14/248	D569,378	S	*	5/2008	Wanamaker	.....	D14/426
D356,085	S	*	3/1995	Fellinger	.....	D14/148	D574,380	S	*	8/2008	Freed et al.	.....	D14/426
D356,310	S	*	3/1995	Fellinger	.....	D14/148	D575,784	S	*	8/2008	Chatterjee et al.	.....	D14/407
D358,471	S	*	5/1995	Cope et al.	.....	D24/137	D579,015	S	*	10/2008	Ashida et al.	.....	D14/412
D360,903	S	*	8/1995	Barr et al.	.....	D14/401	D581,931	S	*	12/2008	Pine	.....	D14/426
D363,290	S	*	10/1995	Kim	.....	D14/248	D587,713	S	*	3/2009	Sutton	.....	D14/412
D367,047	S	*	2/1996	Hood et al.	.....	D14/405	D593,094	S	*	5/2009	Chatterjee et al.	.....	D14/402
D367,272	S	*	2/1996	Hood et al.	.....	D14/405	D593,095	S	*	5/2009	Chatterjee et al.	.....	D14/402
D368,901	S	*	4/1996	Currid	.....	D14/417	D594,066	S	*	6/2009	Oikawa et al.	.....	D21/333
							D594,067	S	*	6/2009	Oikawa et al.	.....	D21/333
							D596,141	S	*	7/2009	Boaz	.....	D13/168
							D604,271	S	*	11/2009	Lewis et al.	.....	D14/218
							D612,853	S	*	3/2010	Waterman	.....	D14/427

(56)

**References Cited**

U.S. PATENT DOCUMENTS

D616,445 S *	5/2010	Wong et al.	.....	D14/402	D668,642 S *	10/2012	Feldman et al.	.....	D14/248
D616,878 S *	6/2010	Jones et al.	.....	D14/248	D671,121 S *	11/2012	Schickling et al.	.....	D14/426
D618,334 S *	6/2010	Le et al.	.....	D24/108	8,308,563 B2 *	11/2012	Ikeda et al.	.....	463/37
D624,531 S *	9/2010	Fleck et al.	.....	D14/230	8,313,379 B2 *	11/2012	Ikeda et al.	.....	463/38
D624,917 S *	10/2010	Andre et al.	.....	D14/408	D691,217 S *	10/2013	Condon et al.	.....	D21/566
D642,574 S *	8/2011	Kim et al.	.....	D14/410	8,550,915 B2 *	10/2013	Ashida et al.	.....	463/37
D642,577 S *	8/2011	Kim et al.	.....	D14/410	D692,892 S *	11/2013	Mistkawi	.....	D14/426
D646,276 S *	10/2011	Huang	.....	D14/402	8,591,333 B2 *	11/2013	Ashida et al.	.....	463/37
D656,502 S *	3/2012	Cacioppo et al.	.....	D14/453	2002/0109010 A1 *	8/2002	Wilz et al.	.....	235/462.45
D662,478 S *	6/2012	Rantala et al.	.....	D13/168	2006/0028446 A1 *	2/2006	Liberty et al.	.....	345/158
8,267,786 B2 *	9/2012	Ikeda	.....	463/37	2006/0092133 A1 *	5/2006	Touma et al.	.....	345/158
					2007/0049374 A1 *	3/2007	Ikeda et al.	.....	463/30
					2008/0015017 A1 *	1/2008	Ashida et al.	.....	463/37
					2011/0159333 A1 *	6/2011	Xie et al.	.....	429/97

\* cited by examiner



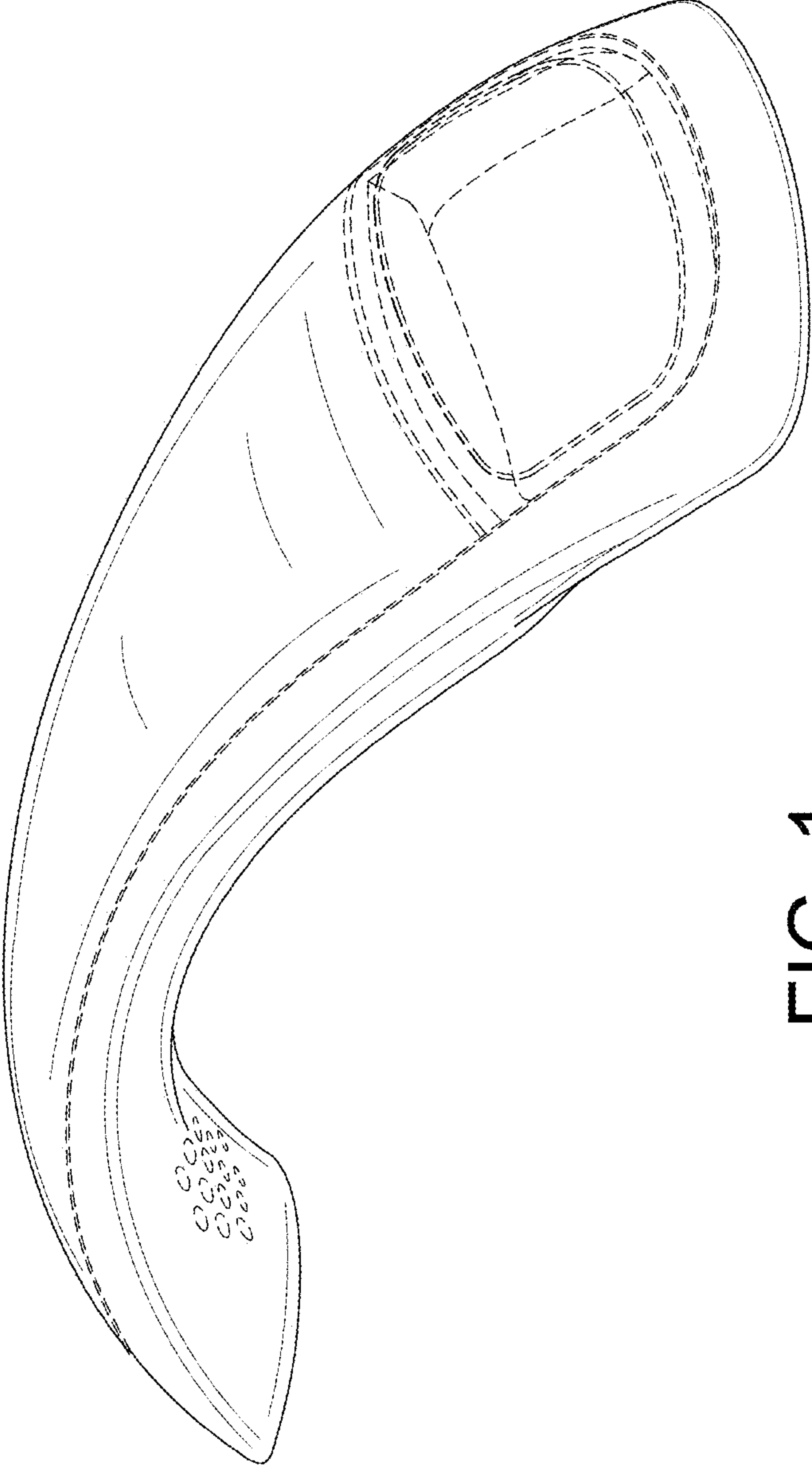


FIG. 1

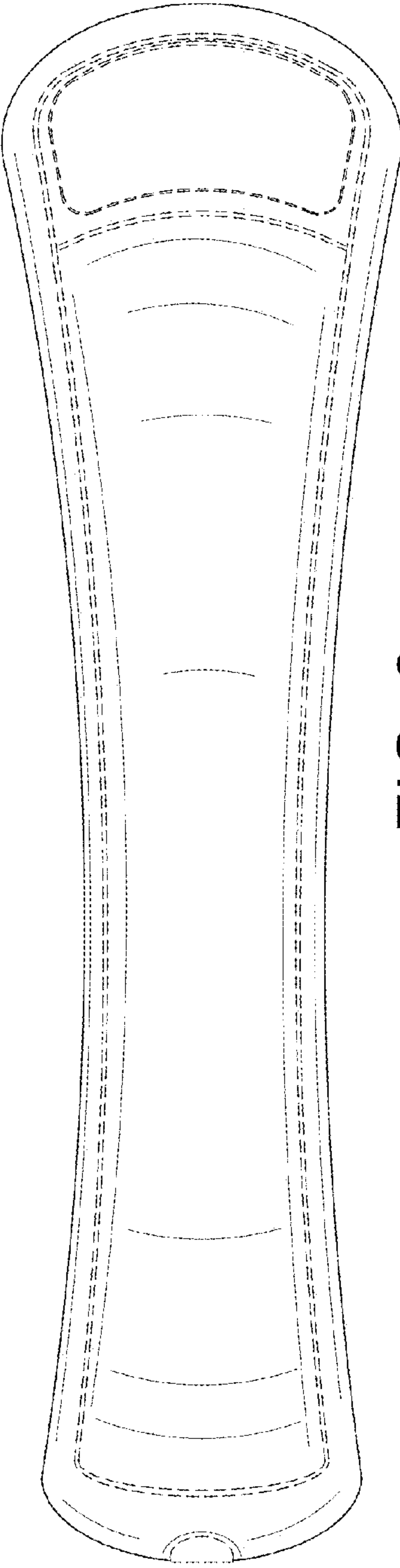


FIG. 2

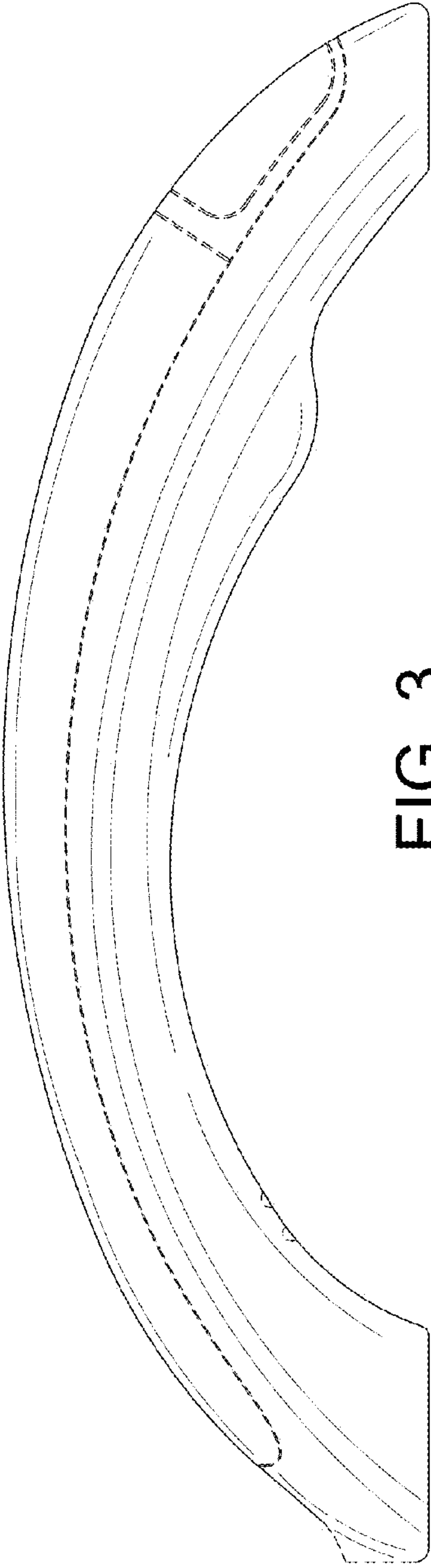


FIG. 3

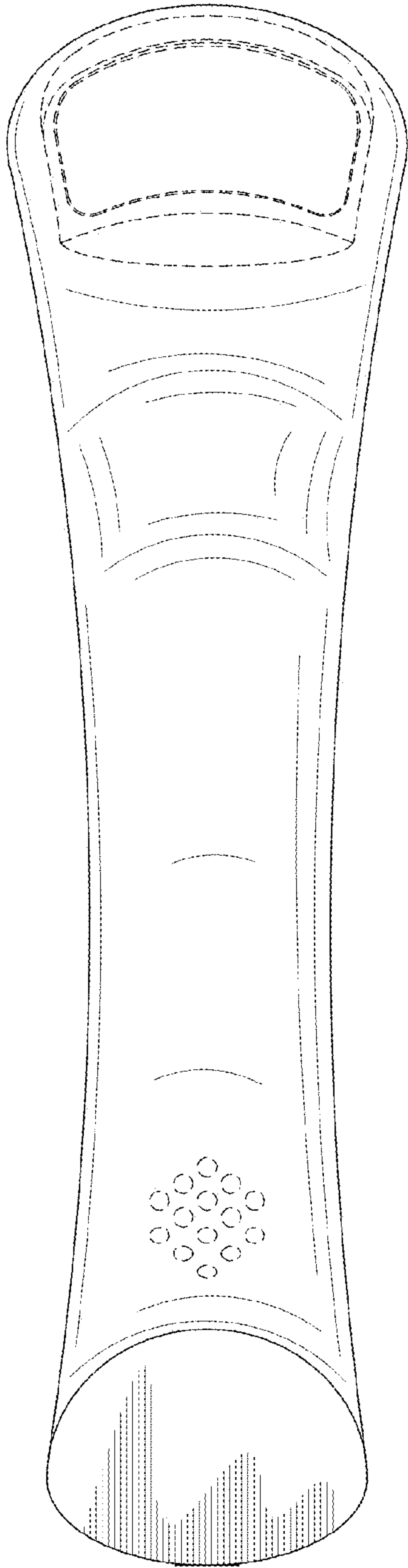


FIG. 4

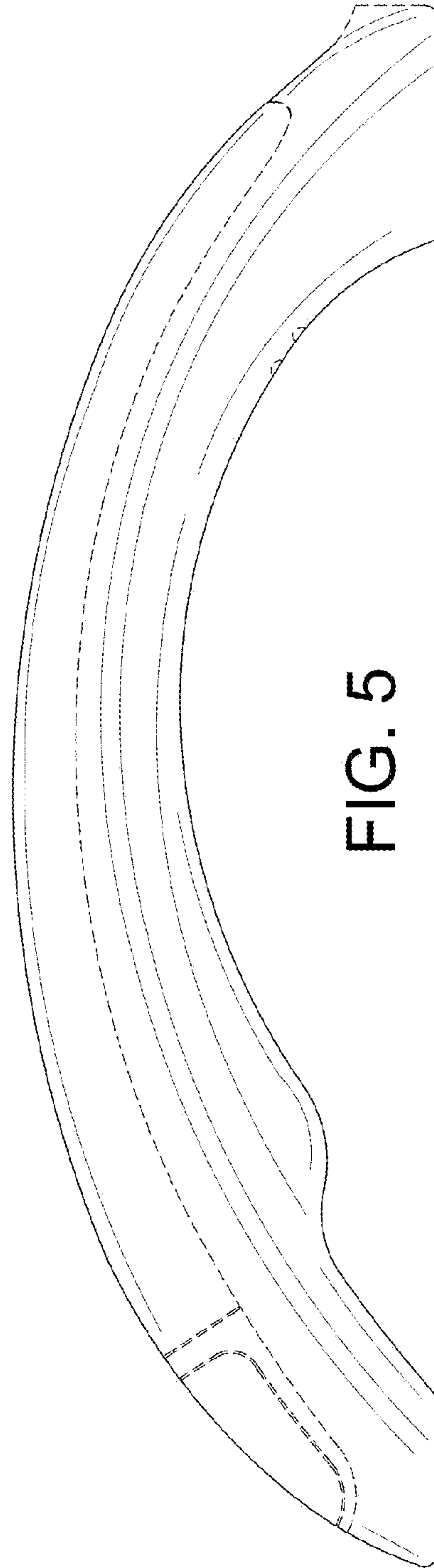


FIG. 5

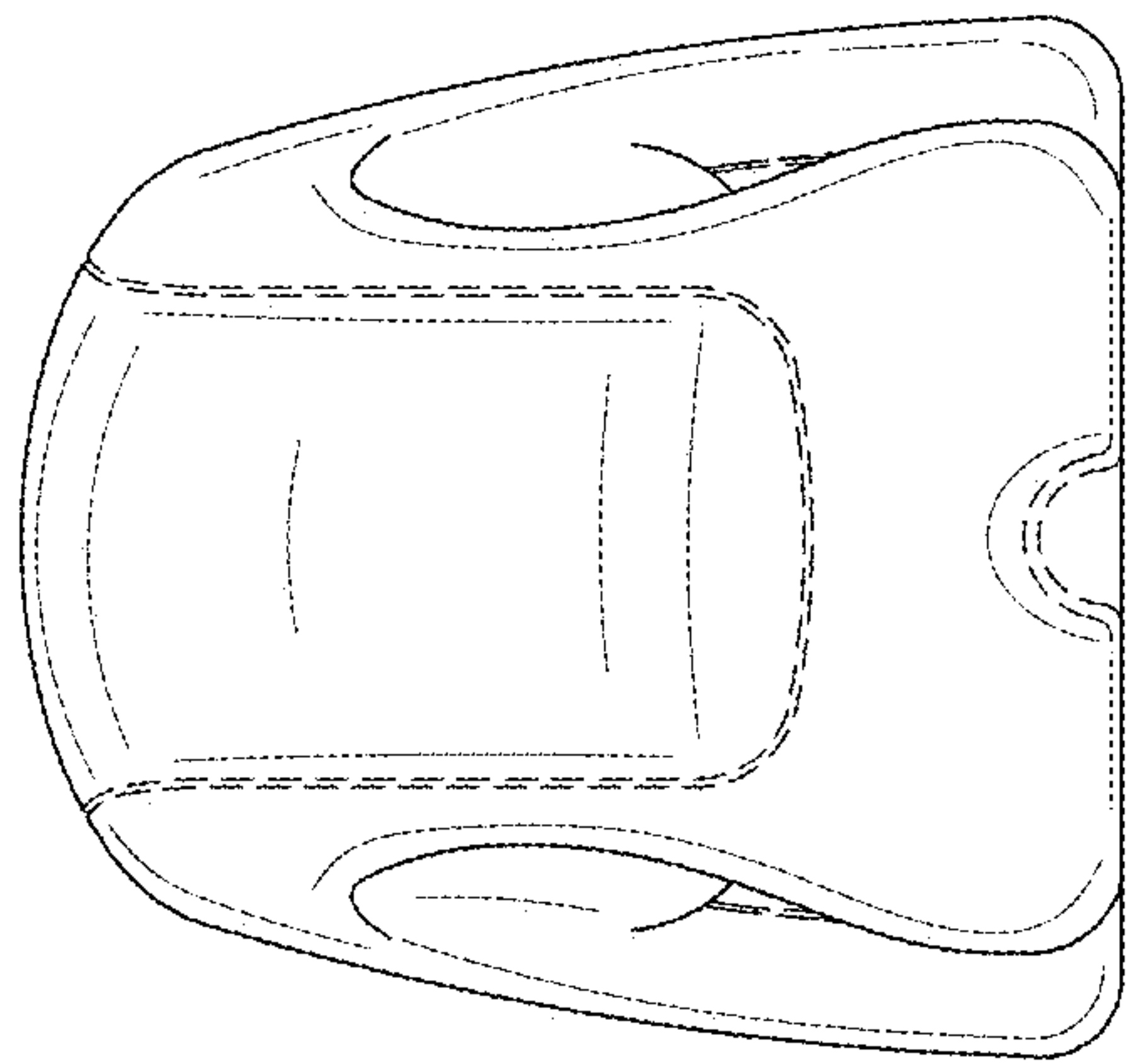


FIG. 6

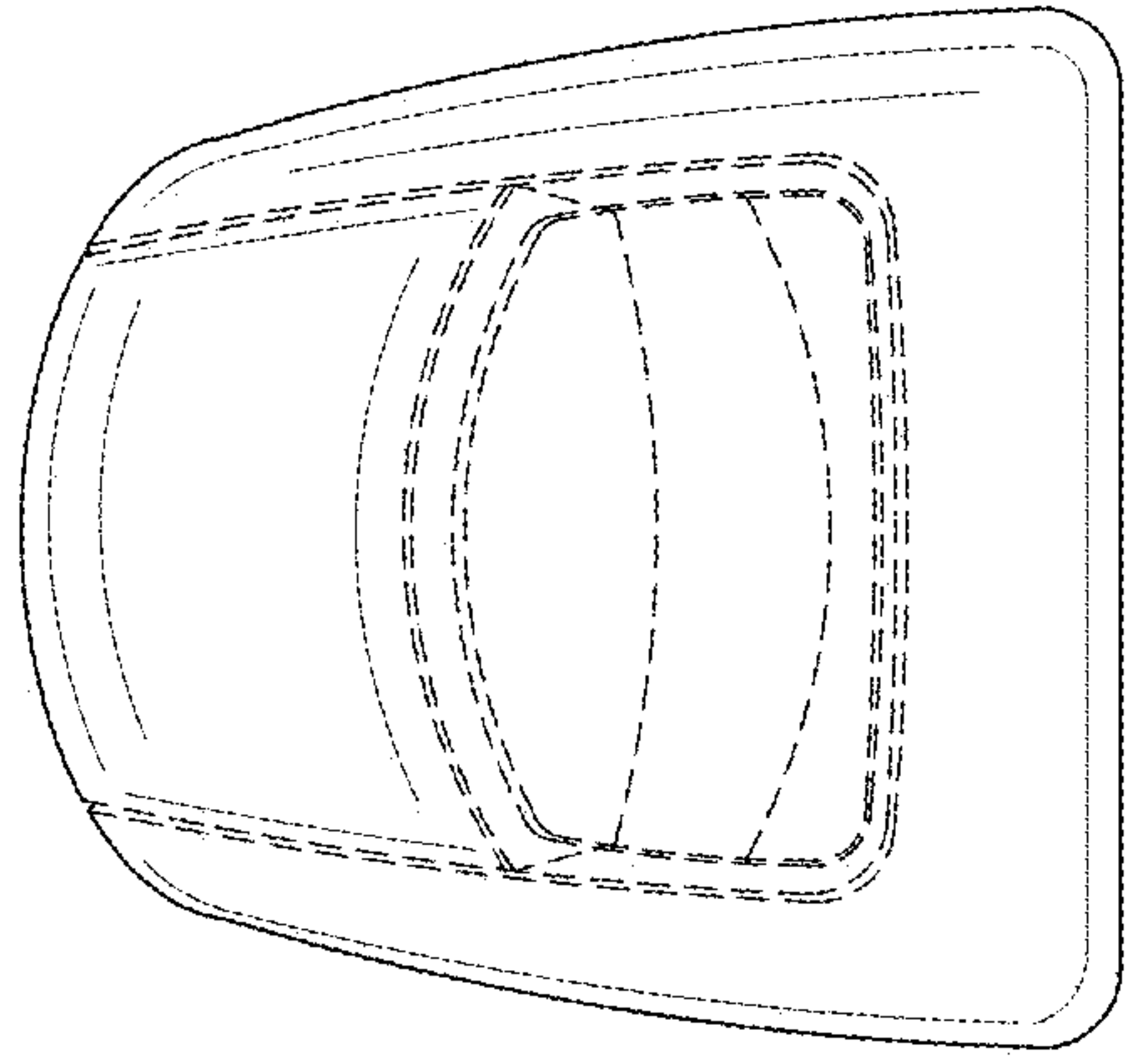


FIG. 7