



US00D710359S

(12) **United States Design Patent**
Tsai

(10) **Patent No.:** **US D710,359 S**
(45) **Date of Patent:** **** Aug. 5, 2014**

(54) **ELECTRONIC MOUSE**
(71) Applicant: **Microsoft Corporation**, Redmond, WA (US)
(72) Inventor: **James Iming Tsai**, Redmond, WA (US)
(73) Assignee: **Microsoft Corporation**, Redmond, WA (US)
(**) Term: **14 Years**

(21) Appl. No.: **29/459,457**
(22) Filed: **Jun. 28, 2013**
(51) **LOC (10) Cl.** **14-02**
(52) **U.S. Cl.**
USPC **D14/402**
(58) **Field of Classification Search**
USPC D14/402-411, 356, 388, 389, 383-385,
D14/417, 426; 345/156-167; 463/36-38;
358/471, 473; 273/148 B
See application file for complete search history.

(56) **References Cited**

U.S. PATENT DOCUMENTS

D450,321 S	11/2001	Fisher et al.	
D450,697 S	11/2001	Fisher et al.	
D471,556 S *	3/2003	O’Keeffe et al. D14/408
D473,232 S	4/2003	Fisher	
D473,870 S	4/2003	Fisher	
D479,528 S *	9/2003	Sheehan et al. D14/408
D485,272 S *	1/2004	Fisher D14/402
D487,895 S *	3/2004	Fisher et al. D14/408
D505,679 S *	5/2005	Klarke et al. D14/409
D510,353 S	10/2005	Fisher et al.	
D519,119 S *	4/2006	Canavan et al. D14/402
D530,911 S *	10/2006	Guitay D3/273
D540,801 S	4/2007	Chatterjee et al.	
D541,803 S *	5/2007	Tseng et al. D14/402
D544,483 S	6/2007	Fisher et al.	

D544,863 S	6/2007	Chatterjee et al.	
D544,864 S	6/2007	Chatterjee et al.	
D560,662 S	1/2008	Chatterjee et al.	
D560,664 S	1/2008	Chatterjee	
D563,957 S *	3/2008	White et al. D14/408
D570,842 S	6/2008	Chatterjee et al.	
D574,828 S	8/2008	Chatterjee et al.	
D581,930 S	12/2008	Chatterjee et al.	
D590,398 S	4/2009	Kim et al.	
D593,097 S	5/2009	Kujawski et al.	
D593,098 S	5/2009	Kujawski et al.	
D597,545 S *	8/2009	Kujawski et al. D14/409
D598,022 S *	8/2009	Kujawski et al. D14/409

(Continued)

OTHER PUBLICATIONS

U.S. Appl. No. 29/459,453, Electronic Mouse, filed Jun. 28, 2013.

(Continued)

Primary Examiner — Austin Murphy

(74) *Attorney, Agent, or Firm* — Banner & Witcoff, Ltd.

(57) **CLAIM**

The ornamental design for an electronic mouse, as shown and described.

DESCRIPTION

FIG. 1 is a perspective view of an electronic mouse showing my new design;

FIG. 2 is a front view thereof;

FIG. 3 is a rear view thereof;

FIG. 4 is a right side view thereof;

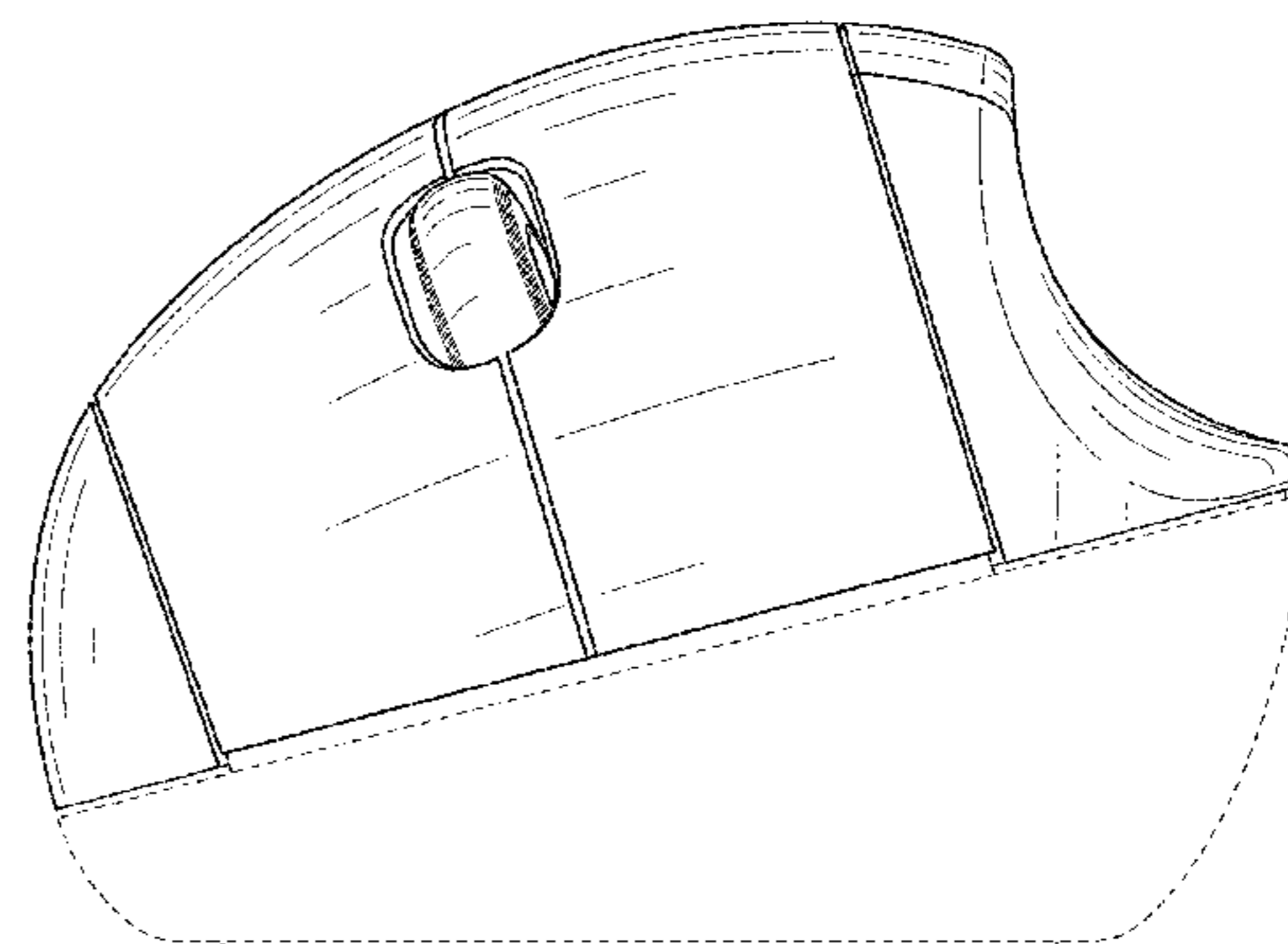
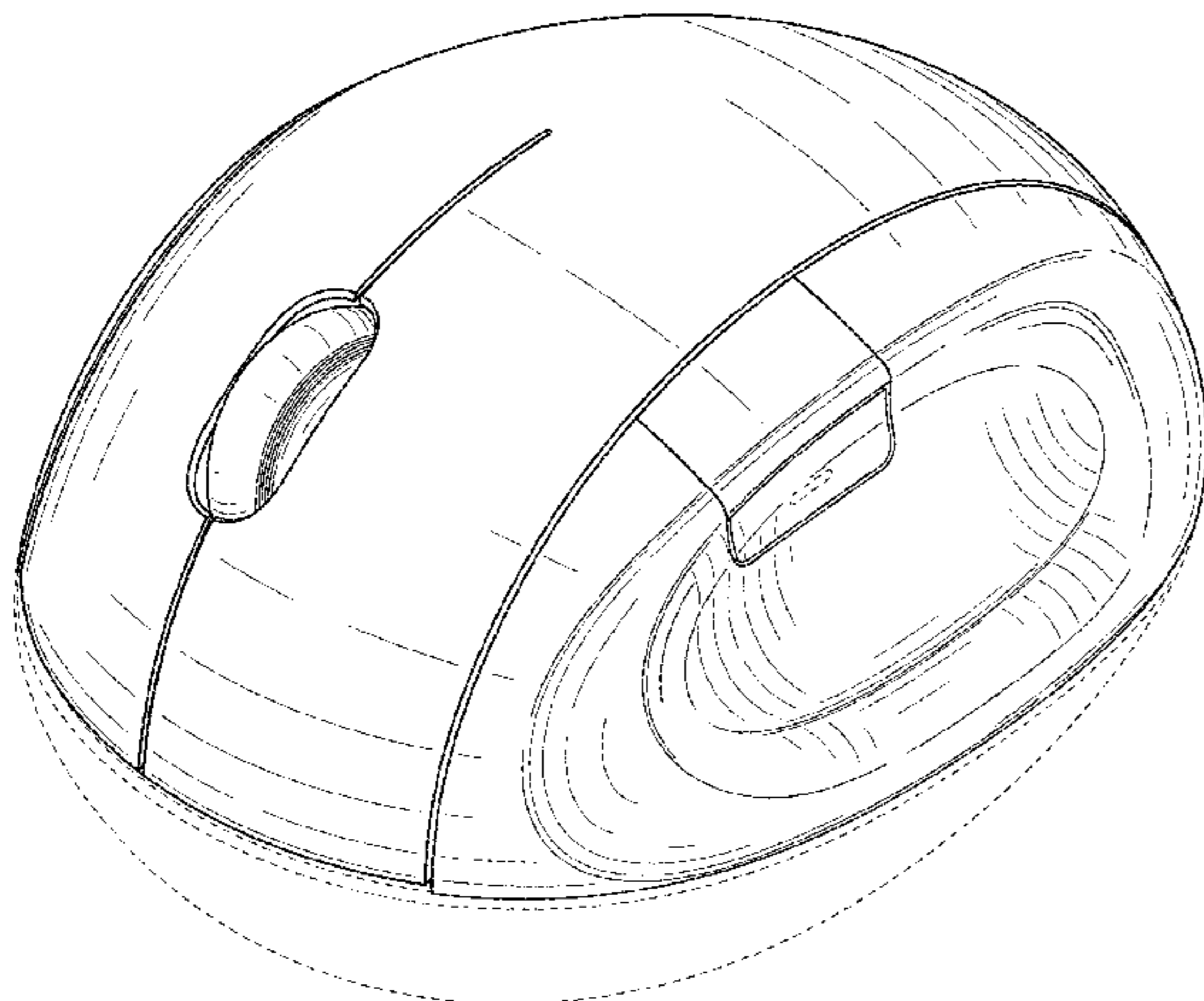
FIG. 5 is a left side view thereof;

FIG. 6 is a top view thereof; and,

FIG. 7 is a bottom view thereof.

The broken line showing of the racetrack shaped region on the side input element and the remainder of the electronic mouse is for environmental purposes only and forms no part of the claimed design.

1 Claim, 5 Drawing Sheets



(56)

References Cited

U.S. PATENT DOCUMENTS

D599,353 S 9/2009 Kujawski et al.
D607,454 S 1/2010 Reed et al.
D607,456 S 1/2010 Reed et al.
D612,382 S * 3/2010 Kujawski et al. D14/409
D616,887 S * 6/2010 Le Guen et al. D14/407
D622,725 S 8/2010 Reed et al.
D630,214 S 1/2011 Kim et al.

D630,216 S * 1/2011 Ng D14/408
D638,837 S * 5/2011 Tzeng D14/402
D657,360 S 4/2012 Kujawski et al.
D665,390 S 8/2012 Kujawski et al.
D666,199 S 8/2012 Kujawski et al.
D667,409 S 9/2012 Kujawski et al.

OTHER PUBLICATIONS

U.S. Appl. No. 29/459,454, Electronic Mouse, filed Jun. 28, 2013.

* cited by examiner

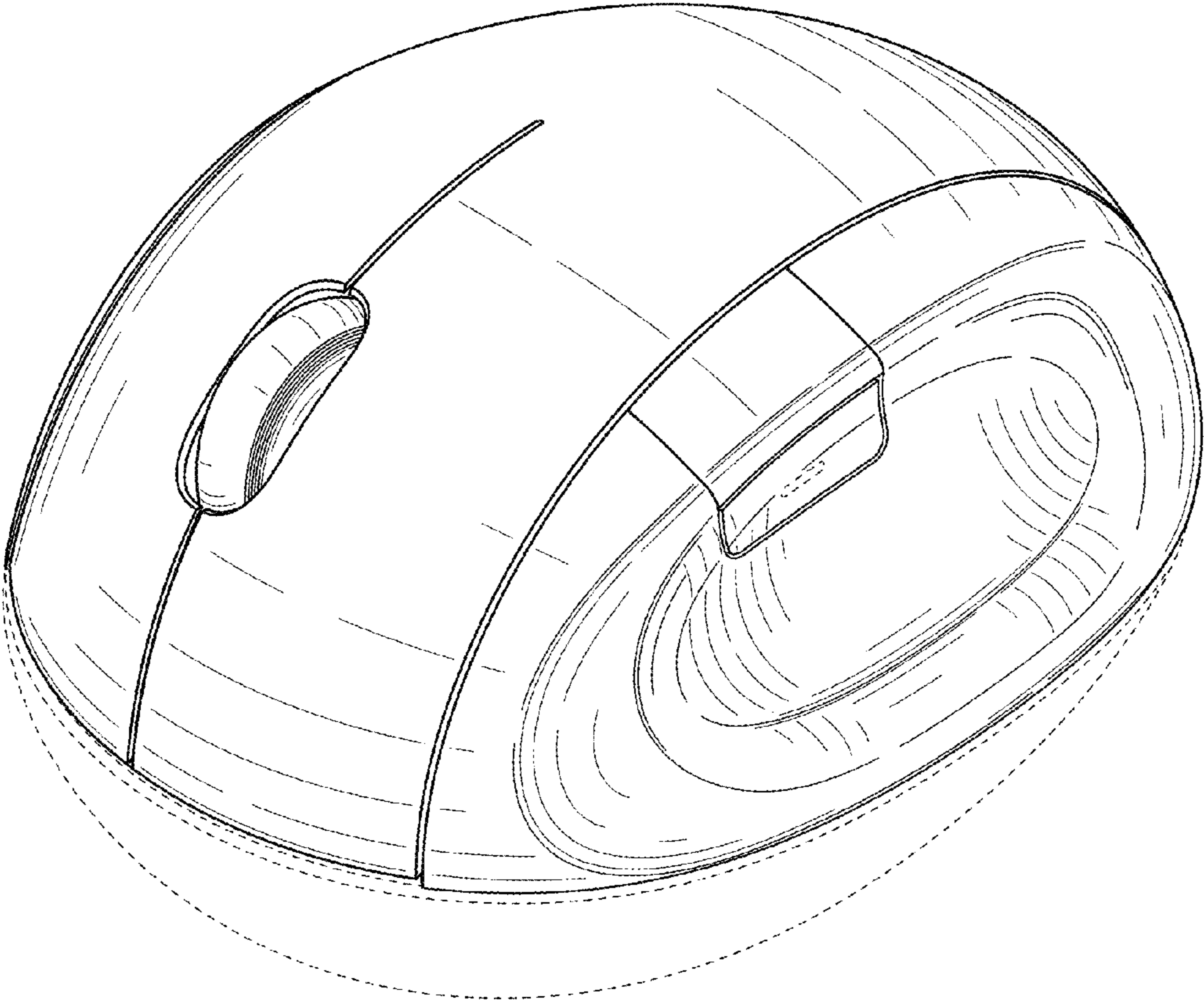


FIG. 1

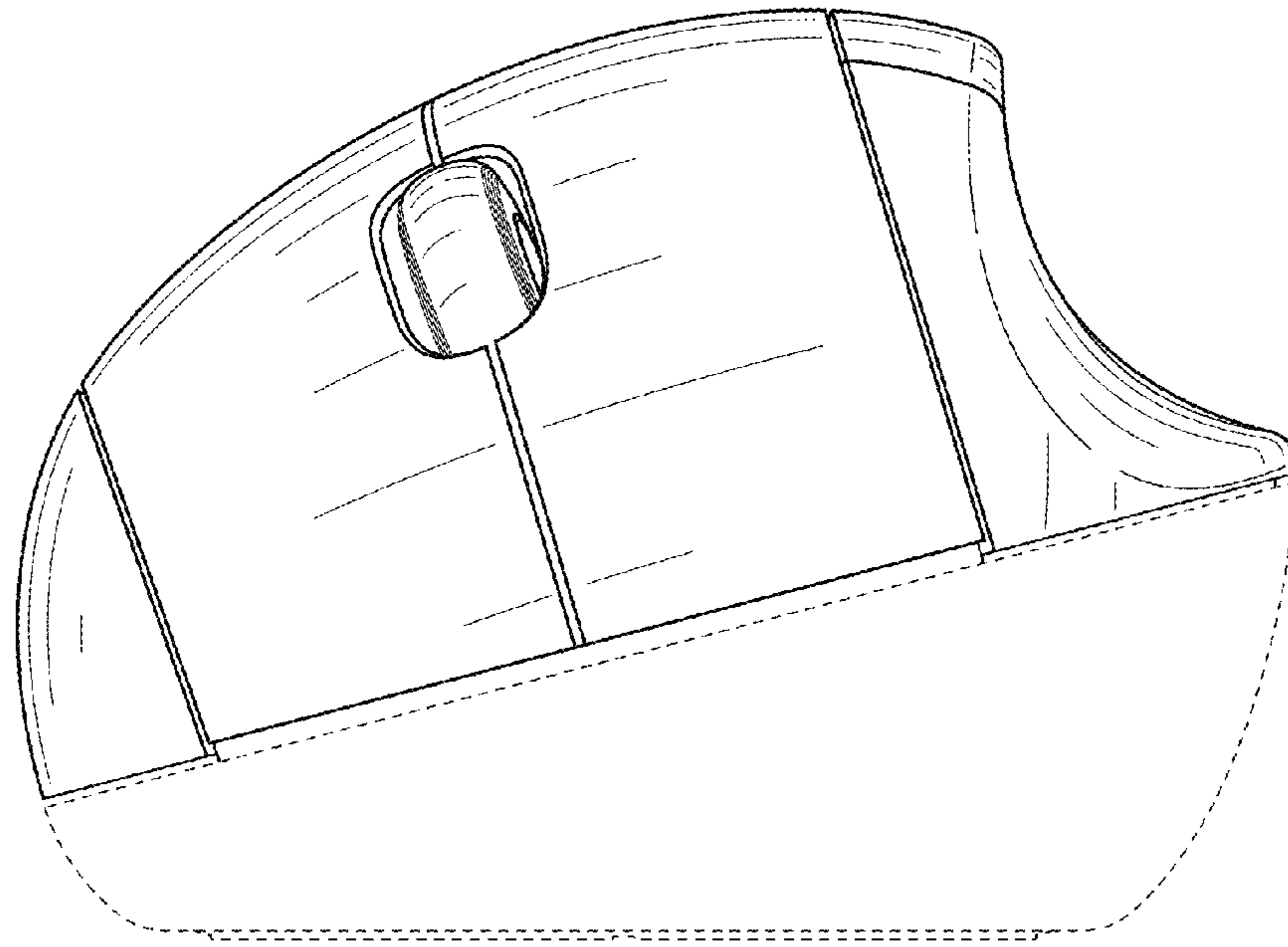


FIG. 2

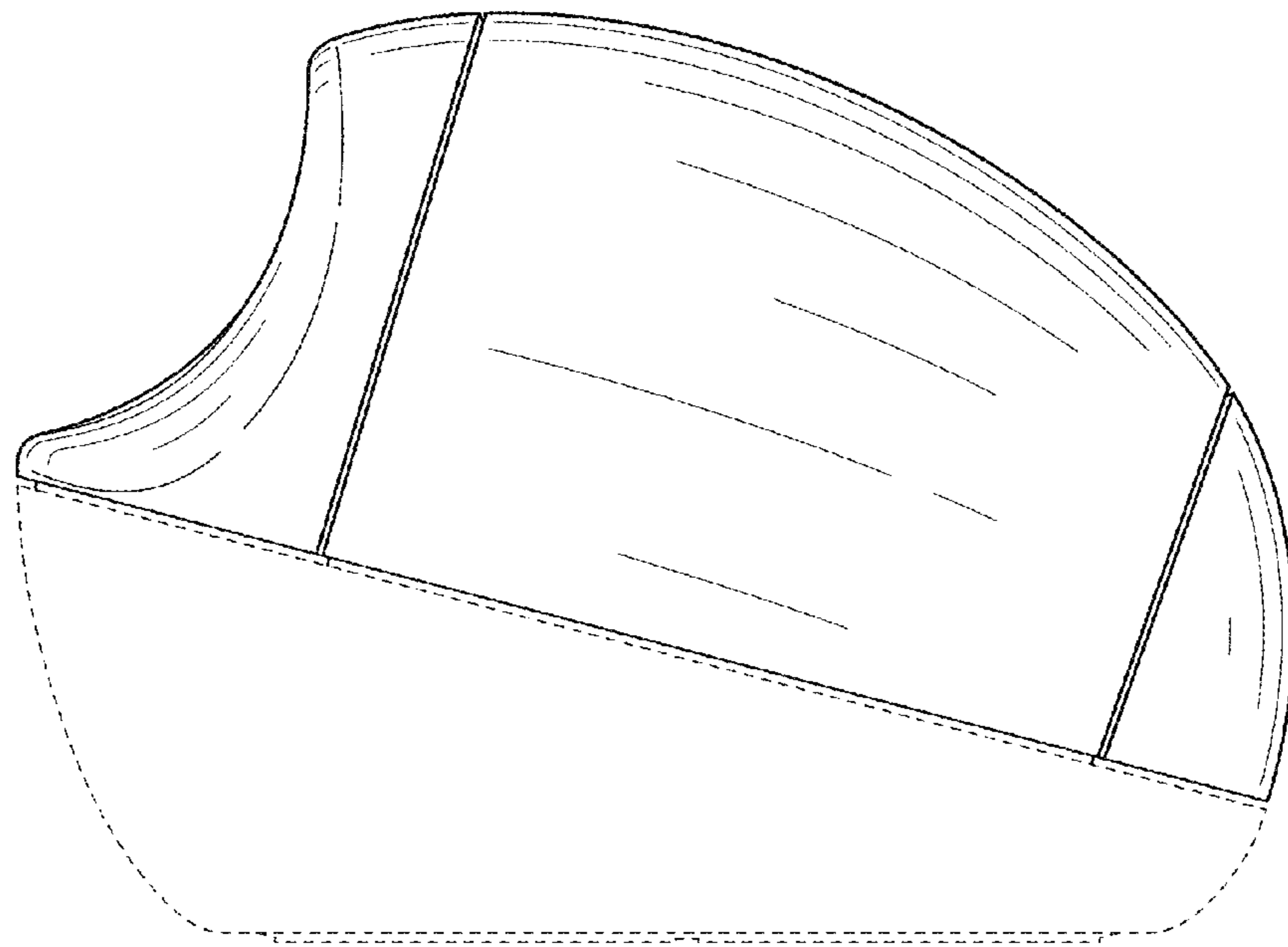


FIG. 3

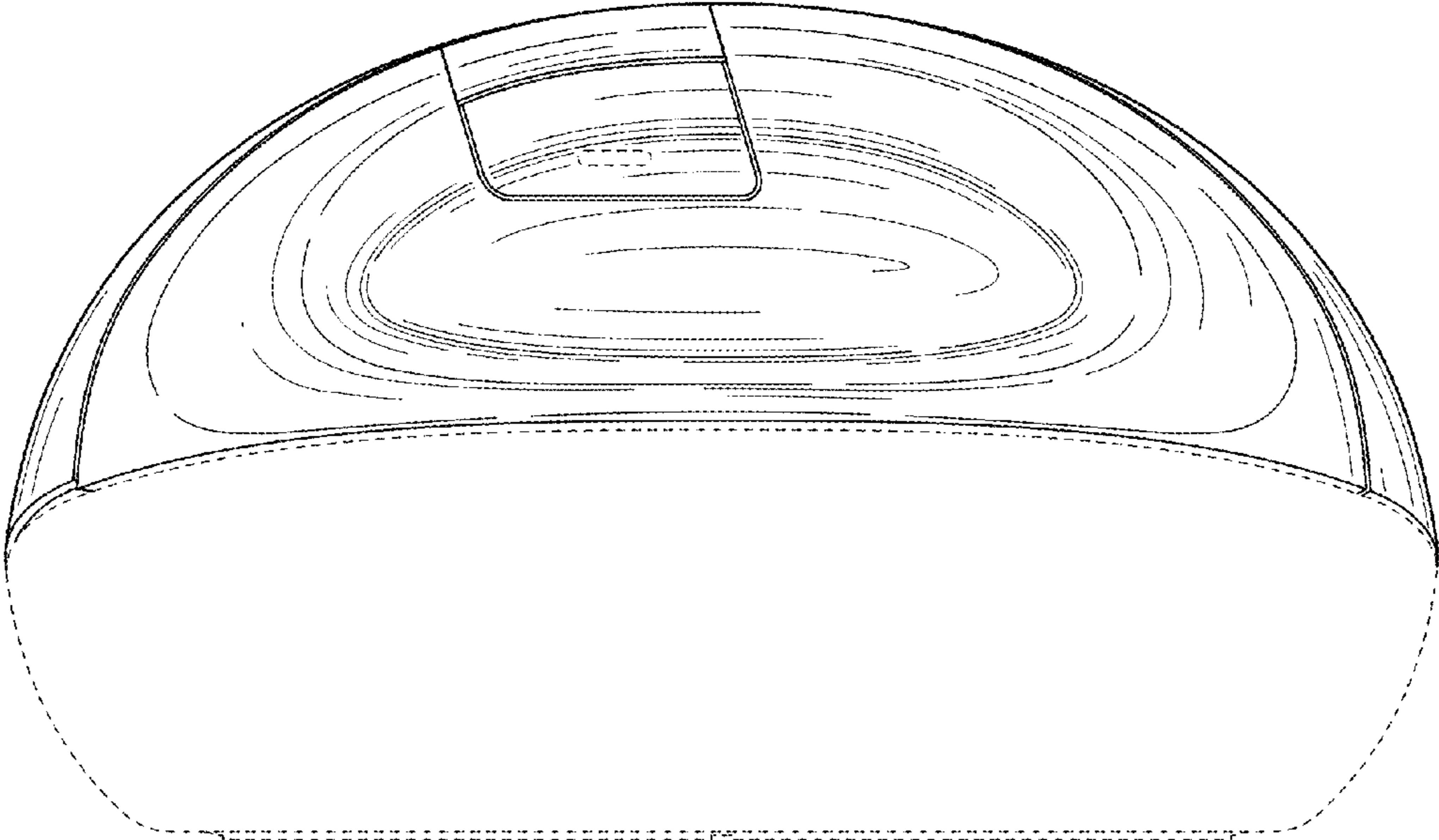


FIG. 4

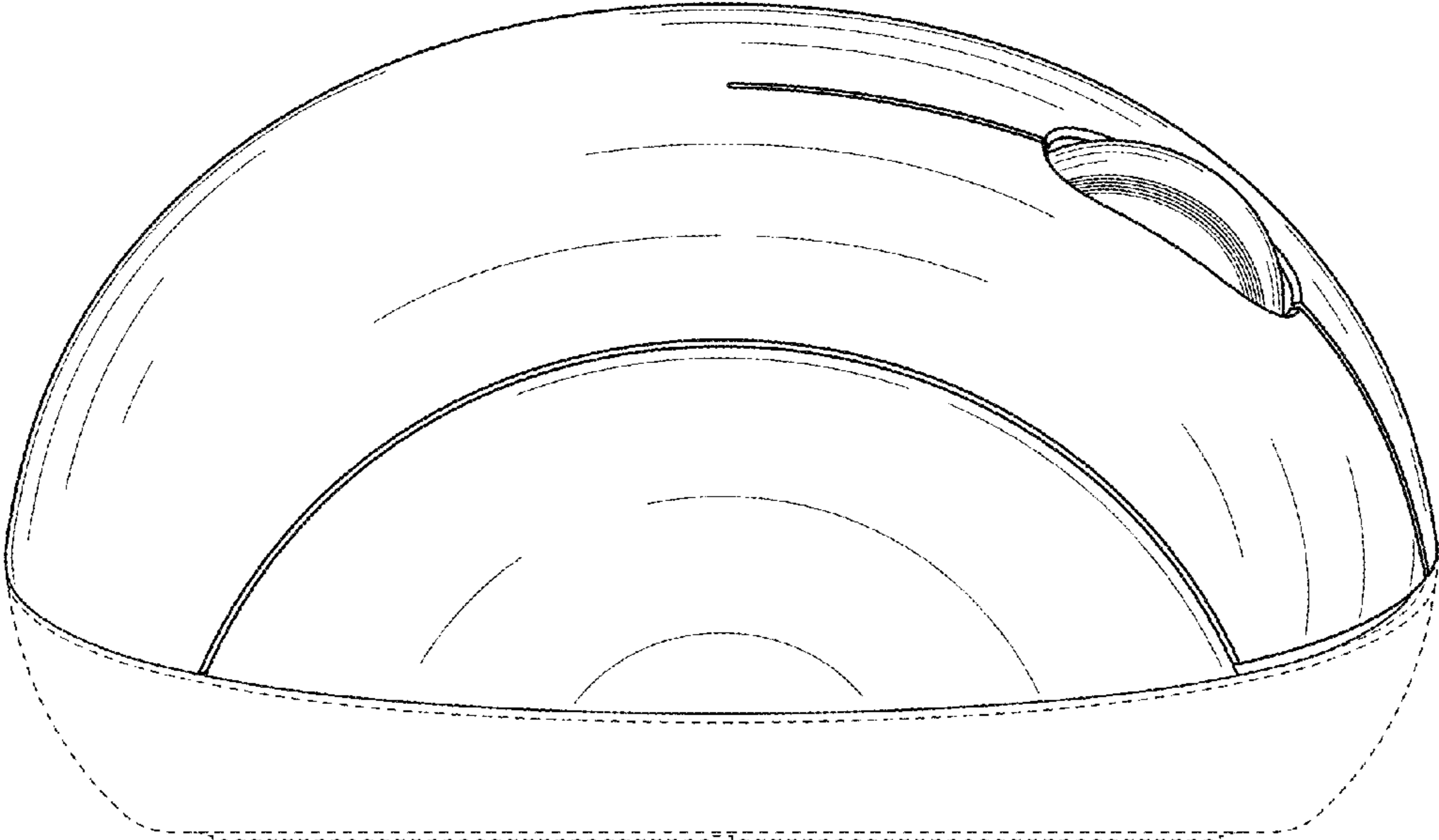


FIG. 5

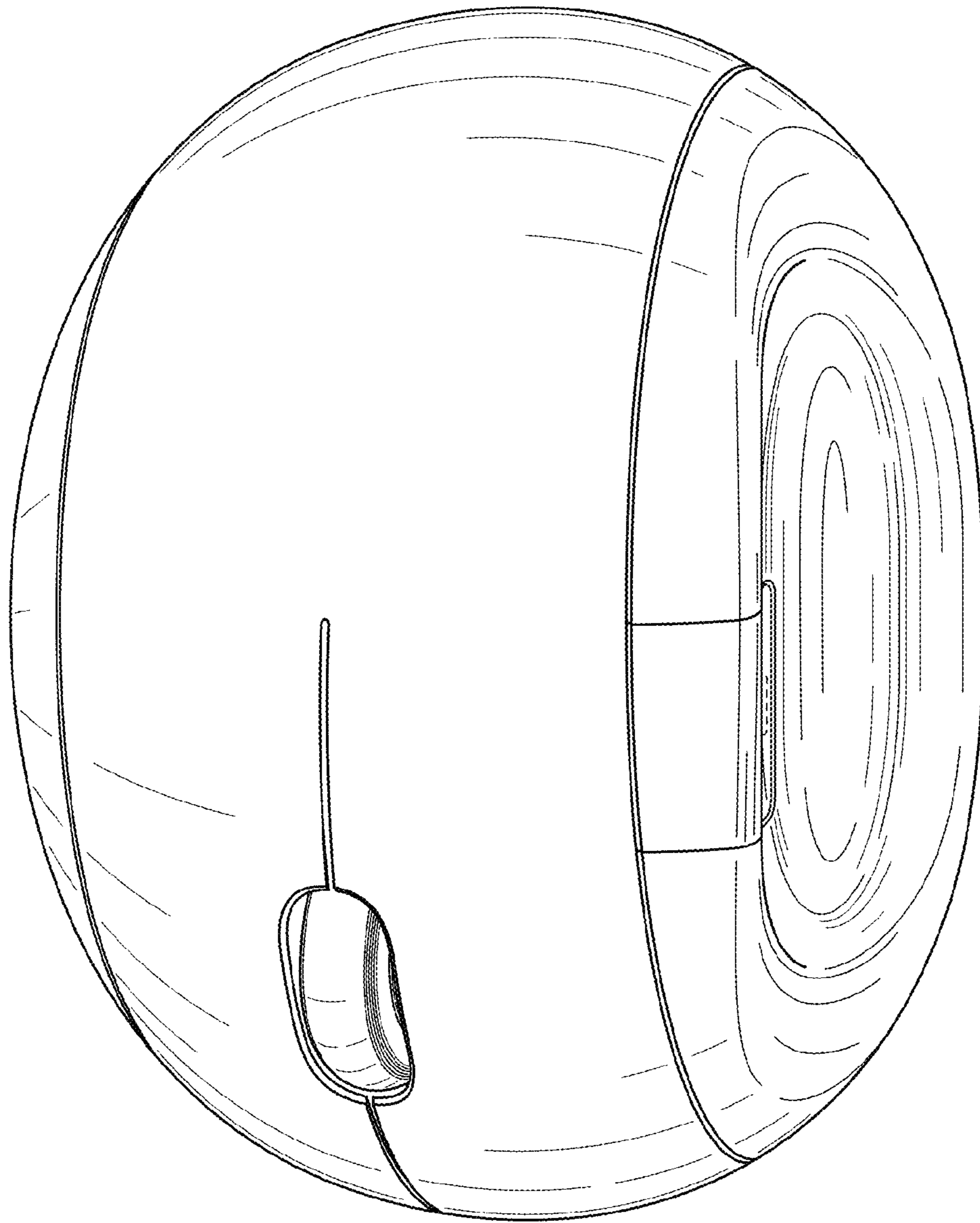


FIG. 6

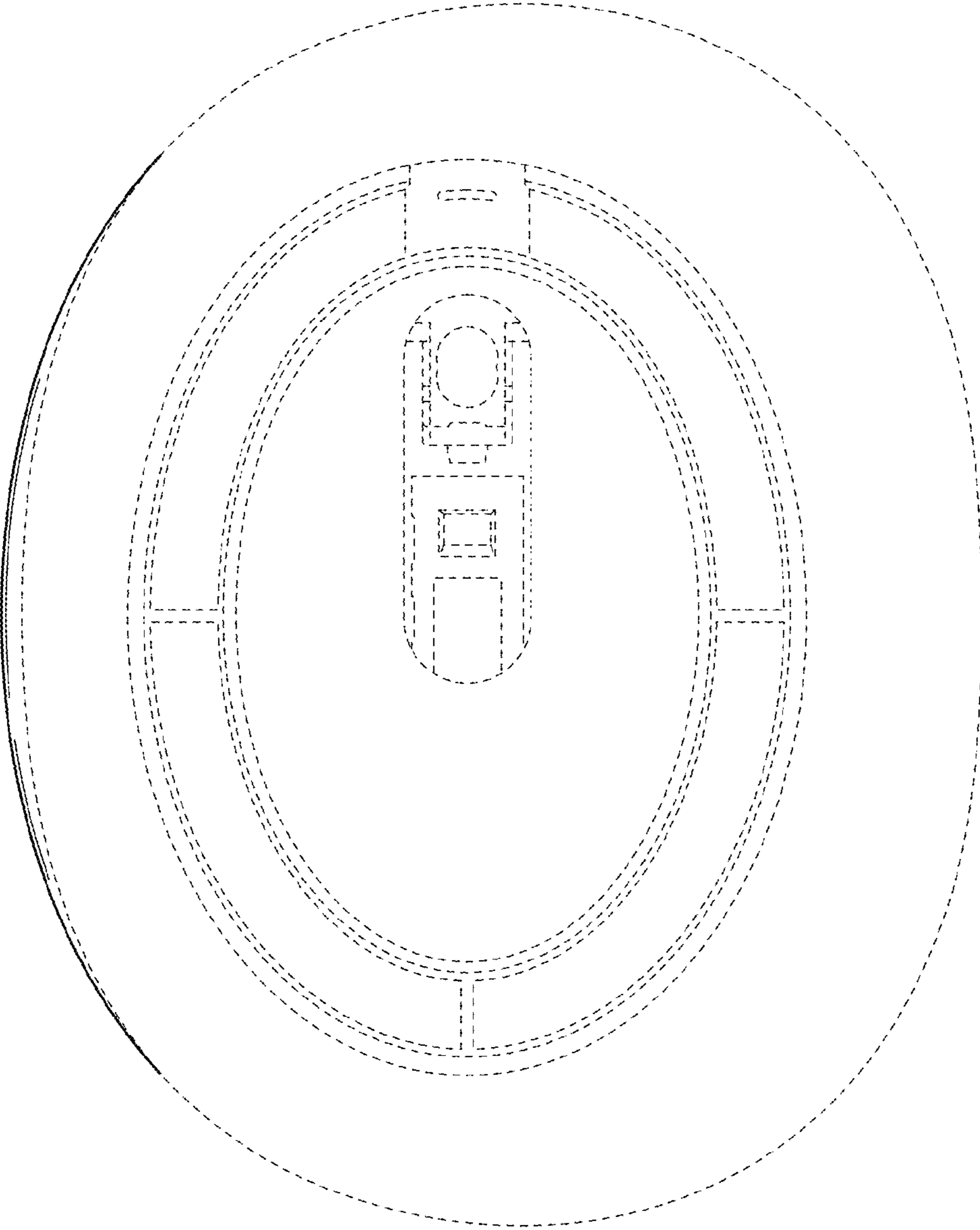


FIG. 7