



US00D710358S

(12) **United States Design Patent**
Park et al.

(10) **Patent No.:** **US D710,358 S**

(45) **Date of Patent:** **** Aug. 5, 2014**

(54) **PORTABLE SUB-PAYMENT TERMINAL**

(56) **References Cited**

(71) Applicant: **Bluebird Inc.**, Seoul (KR)

U.S. PATENT DOCUMENTS

(72) Inventors: **Jung Sik Park**, Namyangju-si (KR); **Ri Jin Seo**, Seongnam-si (KR); **Jang Won Lee**, Seoul (KR)

D351,152 S *	10/1994	Liu	D14/385
D385,903 S *	11/1997	Kim	D18/4.4
D426,238 S *	6/2000	Liu	D14/385
D477,322 S *	7/2003	Chien	D14/385
D480,725 S *	10/2003	Funato	D14/383
D524,541 S *	7/2006	Cauley	D3/295
D585,056 S *	1/2009	Ekelund	D14/336
D624,915 S *	10/2010	Ferreira Sanchez	D14/385
D676,446 S *	2/2013	McQueen et al.	D14/421
D700,606 S *	3/2014	Lo	D14/385
D701,860 S *	4/2014	Daniel	D14/385

(73) Assignee: **Bluebird Inc.** (KR)

(**) Term: **14 Years**

* cited by examiner

(21) Appl. No.: **29/460,186**

Primary Examiner — Austin Murphy

(22) Filed: **Jul. 9, 2013**

(74) *Attorney, Agent, or Firm* — Cantor Colburn LLP

(30) **Foreign Application Priority Data**

(57) **CLAIM**

Jan. 11, 2013 (KR) 30-2013-0001945

The ornamental design for a portable sub-payment terminal, as shown and described.

(51) **LOC (10) Cl.** **14-02**

DESCRIPTION

(52) **U.S. Cl.**

USPC **D14/385**

(58) **Field of Classification Search**

USPC D14/356–358, 383–385, 420, 426, 427, D14/432–439, 447, 453, 454, 217, 253, D14/299; D13/107, 108, 133, 146, 147, D13/152, 154, 156, 158, 162, 162.1, 168, D13/173, 177, 102; 235/441, 451, 492, 380, 235/439, 375; 361/679.31, 600, 679.01, 361/679.02

FIG. 1 is a perspective view of a portable sub-payment terminal showing our new design;
FIG. 2 is a front view thereof;
FIG. 3 is a rear view thereof;
FIG. 4 is a left side view thereof;
FIG. 5 is a right side view thereof;
FIG. 6 is a top plan view thereof;
FIG. 7 is a bottom plan view thereof;
FIG. 8 is another perspective view thereof;
FIG. 9 is a reference view thereof when in use; and,
FIG. 10 is another reference view thereof when in use.
The broken lines are shown for environmental structures when in use and form no part of the claimed design.

See application file for complete search history.

1 Claim, 8 Drawing Sheets

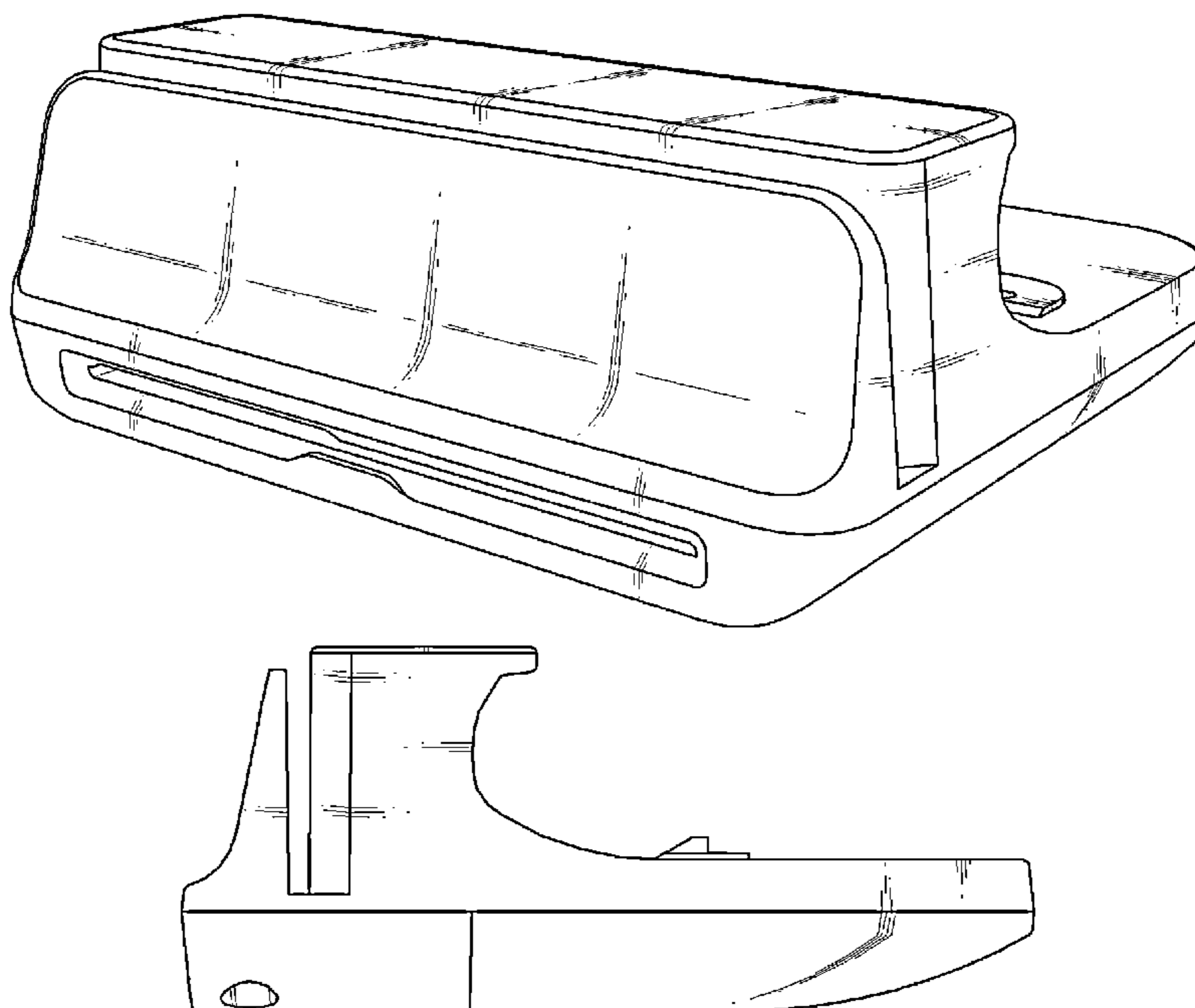


Fig. 1

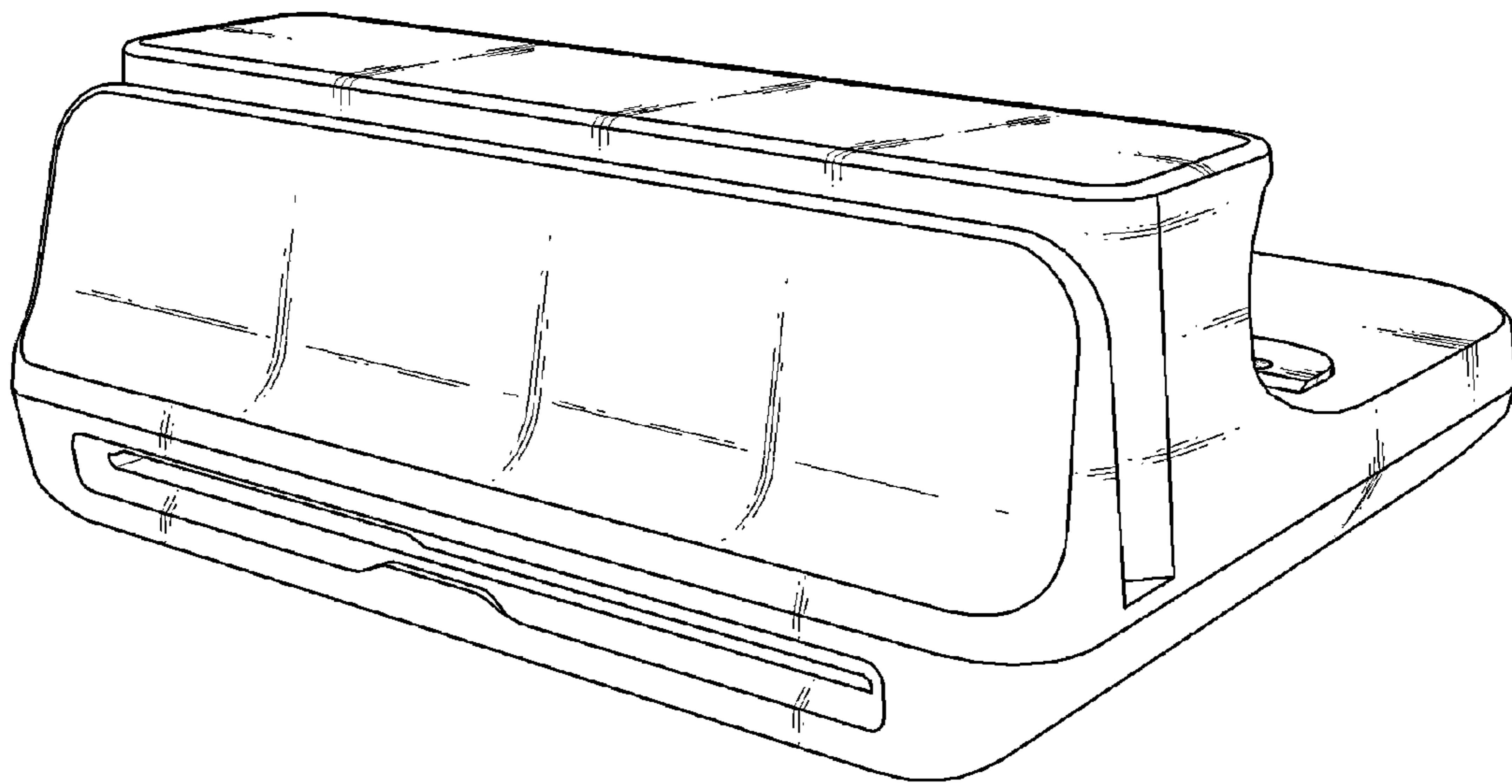


Fig. 2

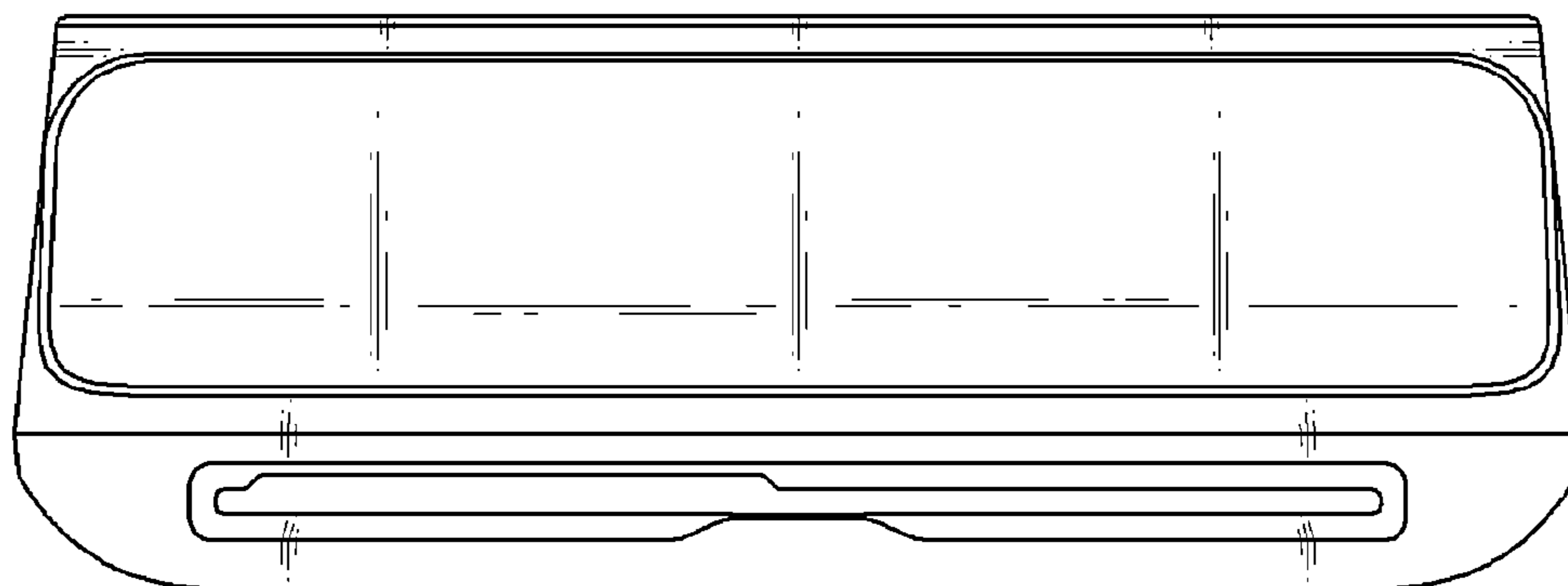


Fig. 3

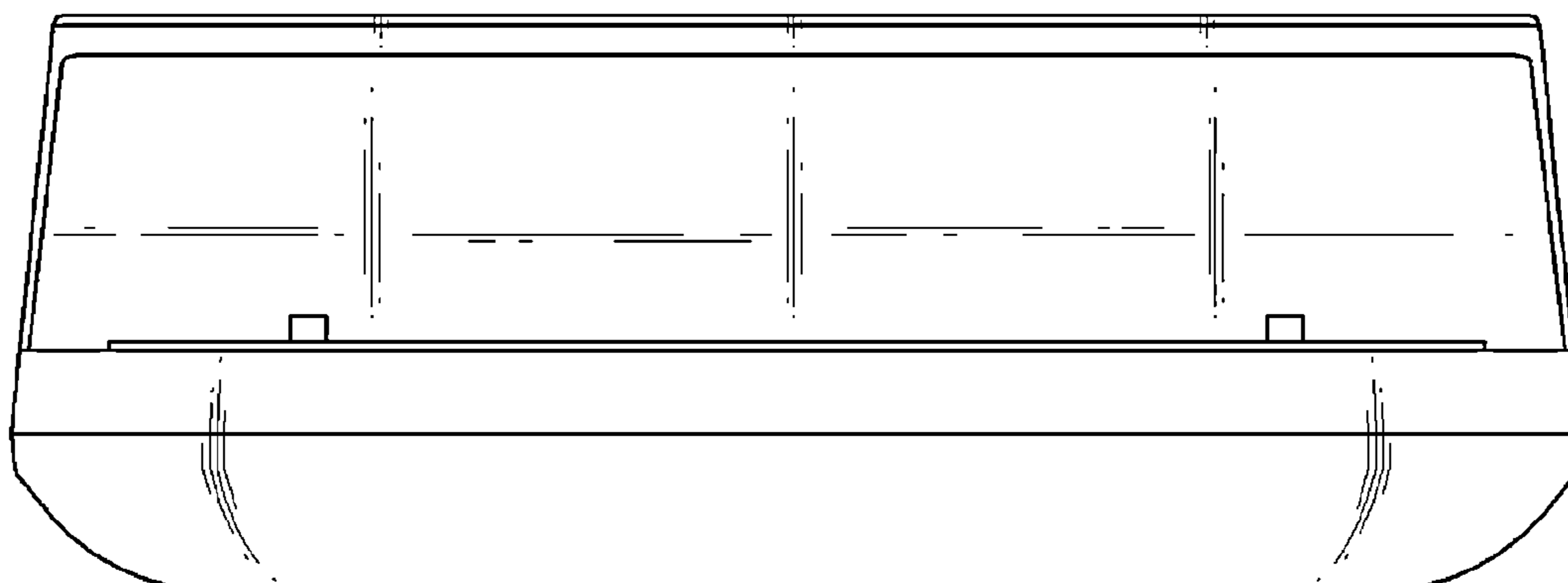


Fig. 4

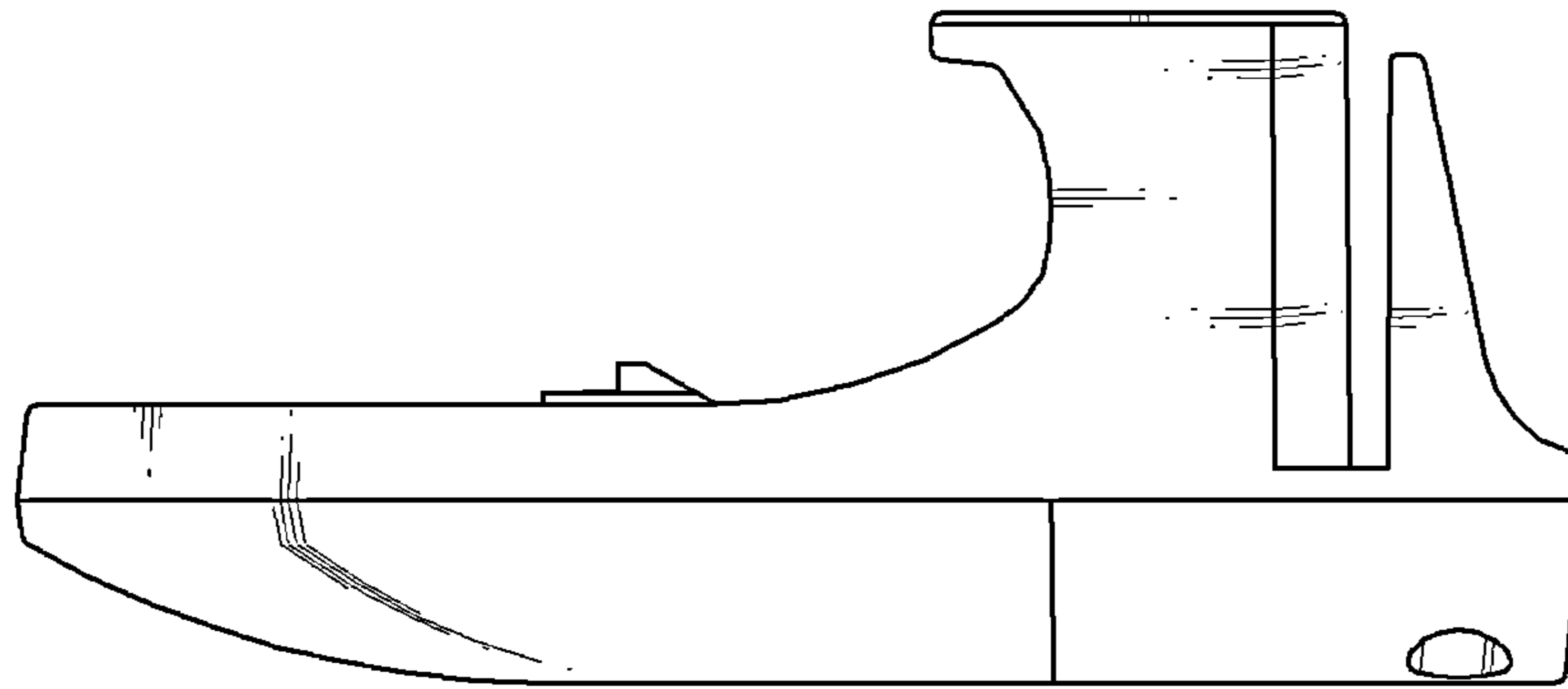


Fig. 5

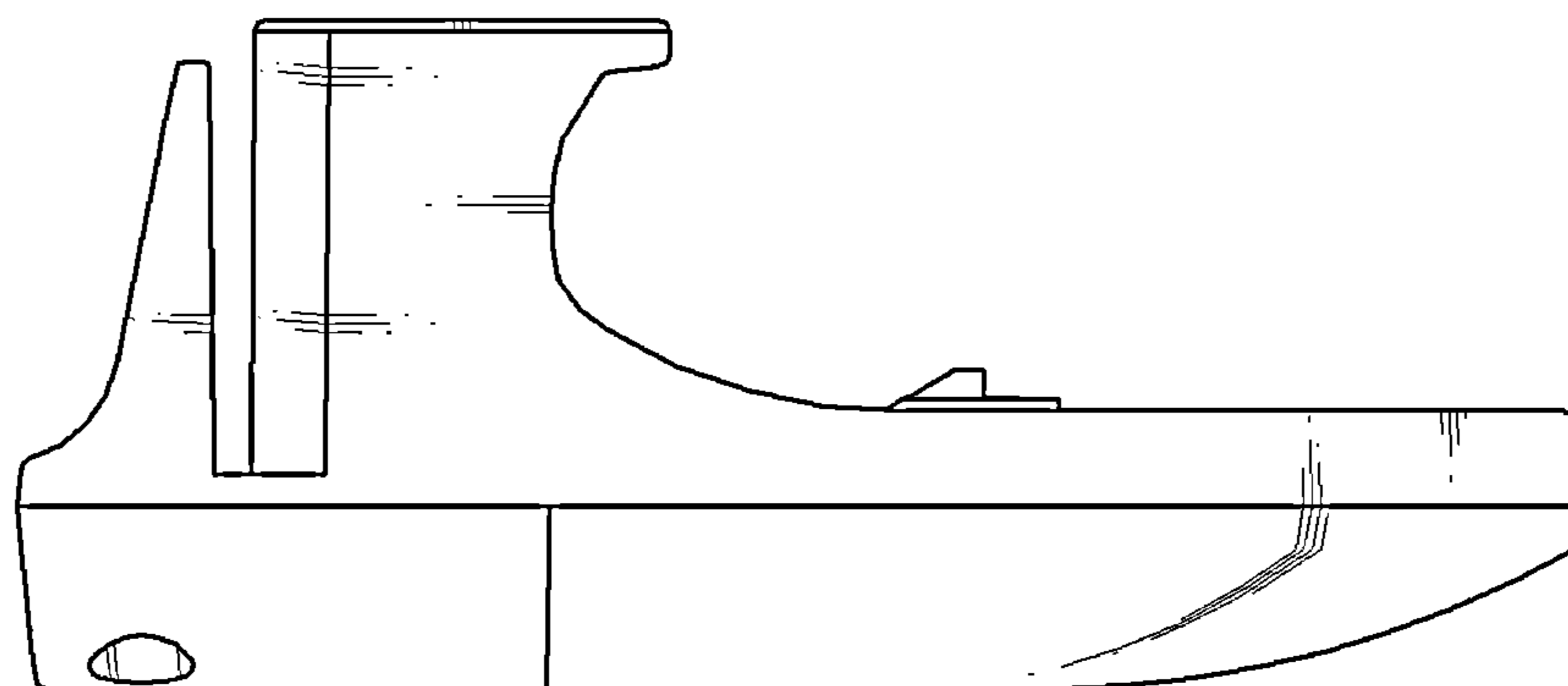


Fig. 6

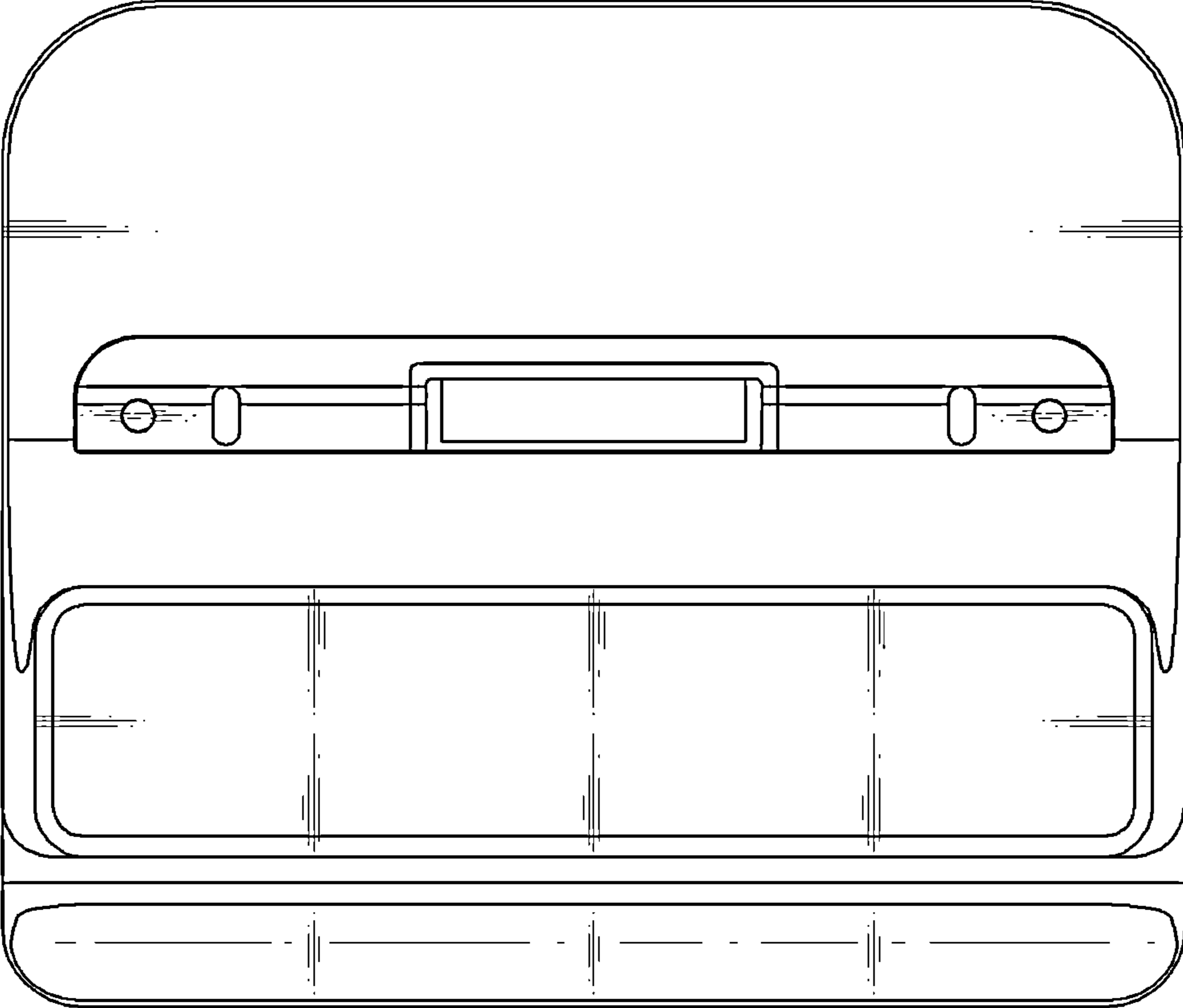


Fig. 7

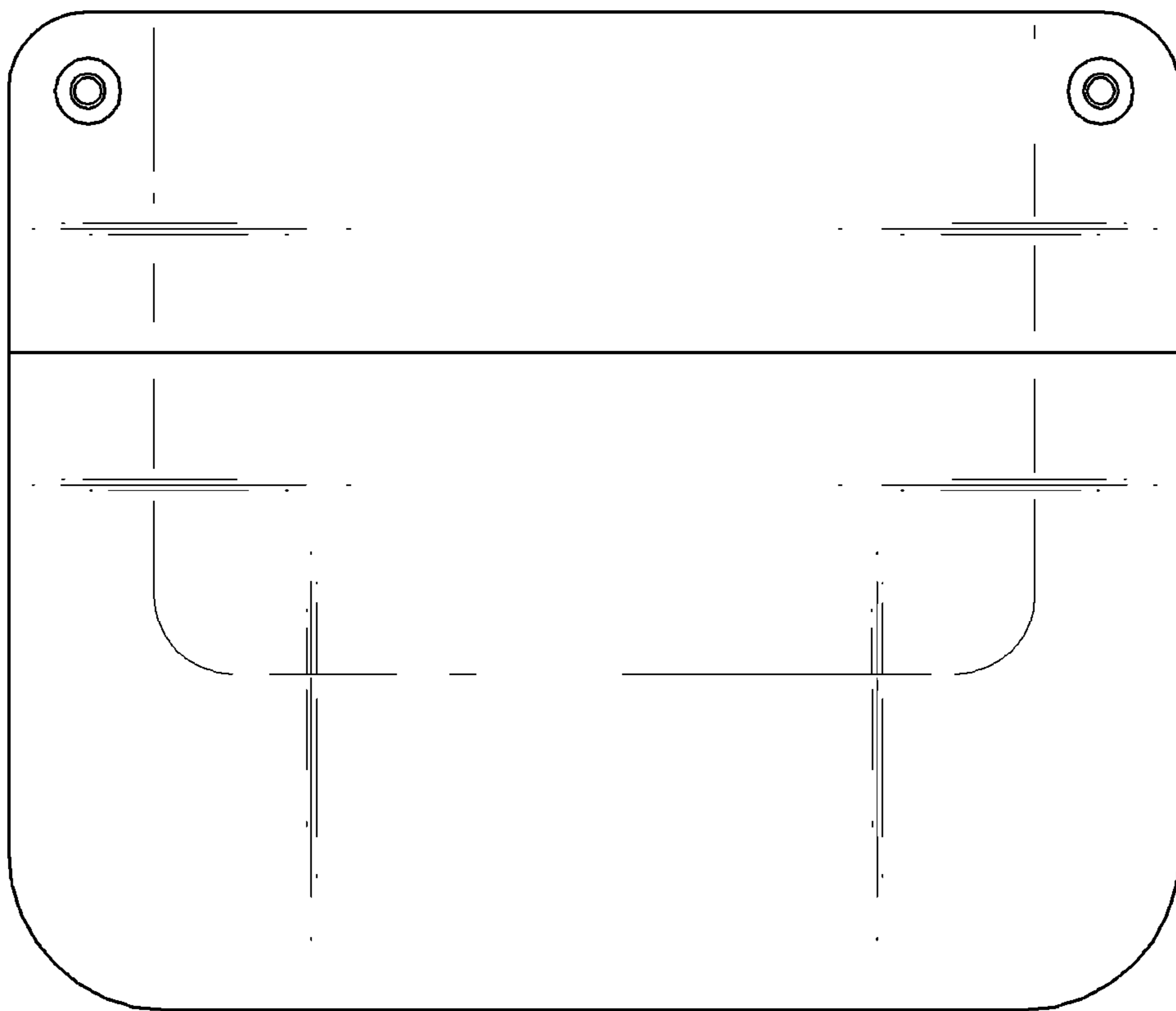


Fig. 8

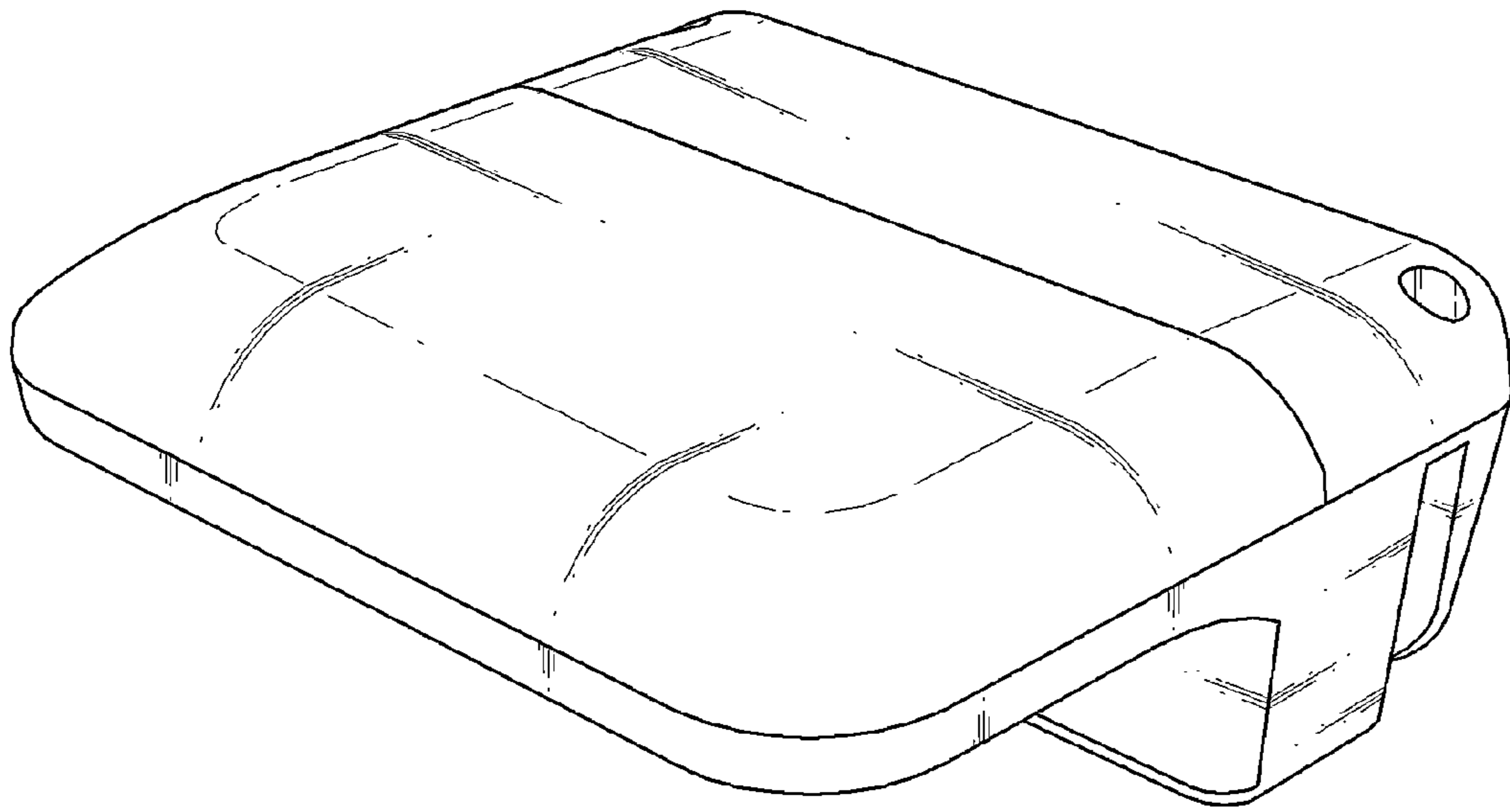


Fig. 9

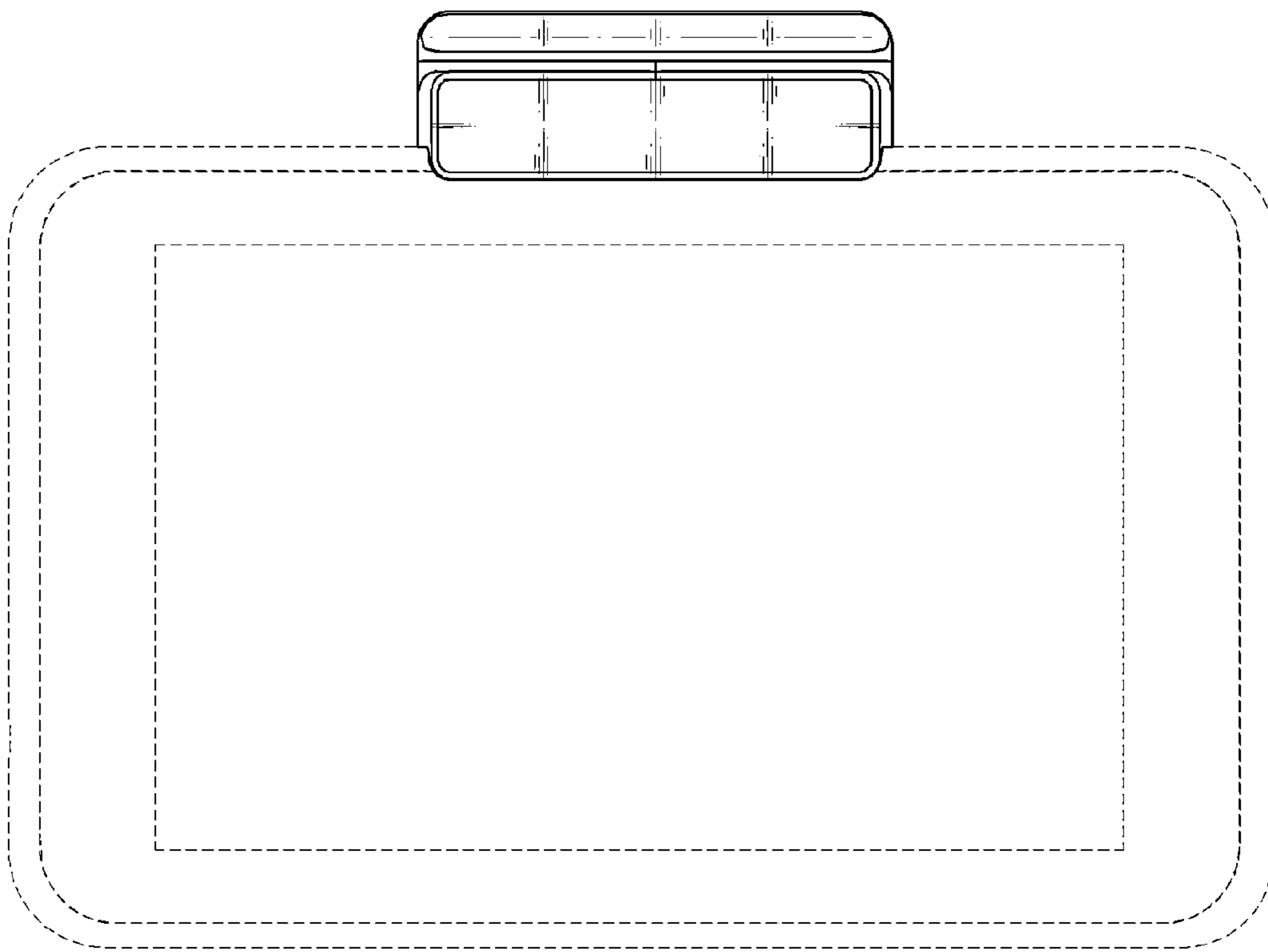


Fig. 10

