



US00D710357S

(12) **United States Design Patent**
Quijano et al.

(10) **Patent No.:** **US D710,357 S**

(45) **Date of Patent:** **** Aug. 5, 2014**

(54) **DISPLAY**

(71) Applicant: **Hewlett-Packard Development Company, L.P.**, Houston, TX (US)

(72) Inventors: **David Quijano**, Fort Collins, CO (US);
Paul L. Drew, The Woodlands, TX (US)

(73) Assignee: **Hewlett-Packard Development Company, L.P.**, Houston, TX (US)

(**) Term: **14 Years**

(21) Appl. No.: **29/447,812**

(22) Filed: **Mar. 7, 2013**

(51) **LOC (10) Cl.** **14-02**

(52) **U.S. Cl.**

USPC **D14/374**

(58) **Field of Classification Search**

CPC F16M 11/00

USPC D14/371-376, 125-129, 317, 331, 336,

D14/337; D6/308; 349/1, 2, 11;

248/917-924, 176.1, 278.1; 345/104,

345/156, 173, 174, 901-905; 348/180, 184,

348/325, 739; 361/679.01, 679.08, 679.21,

361/679.23

See application file for complete search history.

(56) **References Cited**

U.S. PATENT DOCUMENTS

D653,254 S * 1/2012 Lu et al. D14/374

D672,770 S * 12/2012 Shih et al. D14/374

2012/0176752 A1 * 7/2012 Yoon 361/748

2013/0044411 A1 * 2/2013 Zhen et al. 361/679.01

* cited by examiner

Primary Examiner — Freda S Nunn

(57) **CLAIM**

We claim the ornamental design for a display, as shown and described.

DESCRIPTION

FIG. 1 is a front perspective view of a display;

FIG. 2 is a rear perspective view thereof;

FIG. 3 is a front view thereof;

FIG. 4 is a rear view thereof; and

FIG. 5 is a left side view thereof;

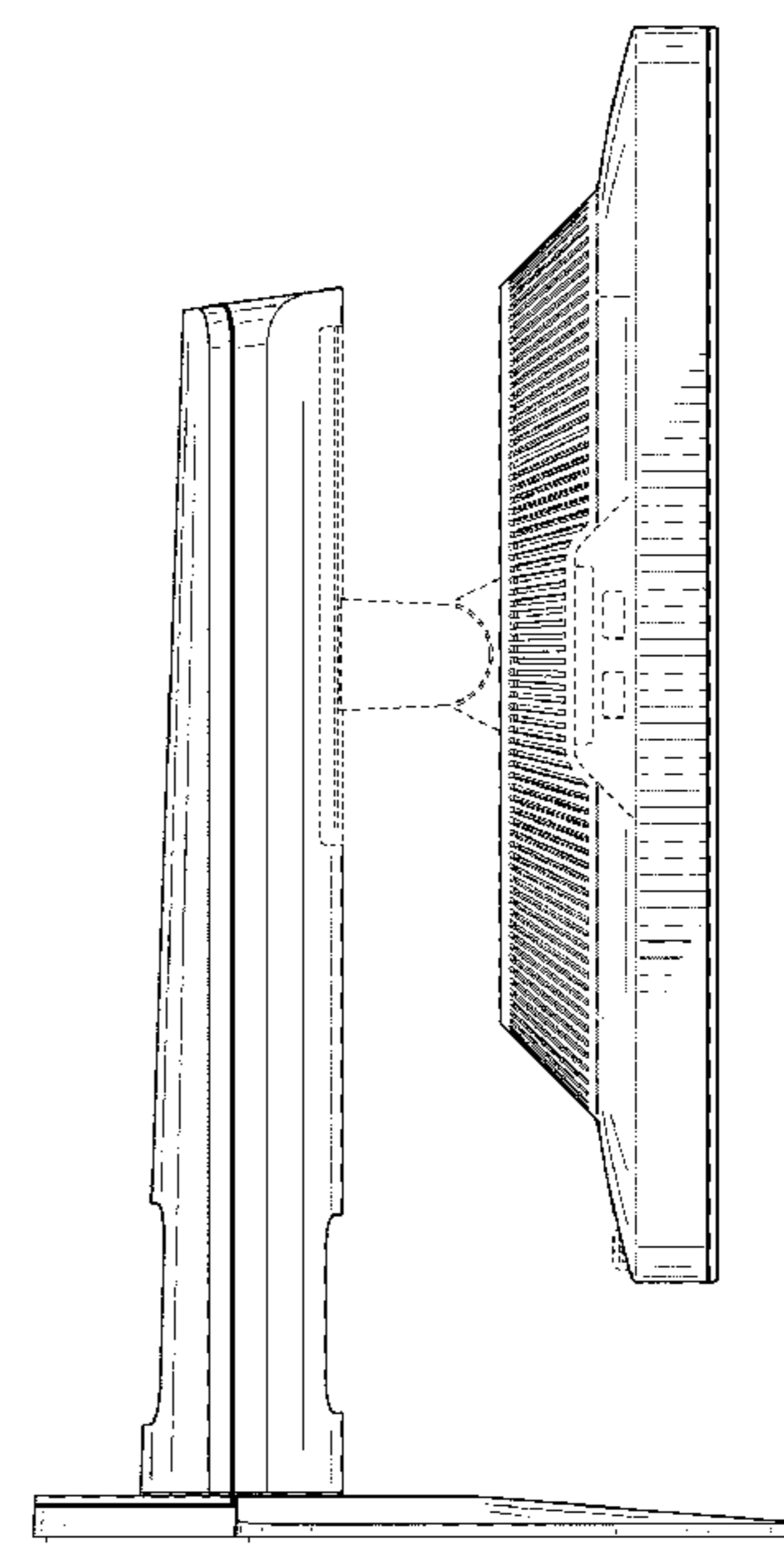
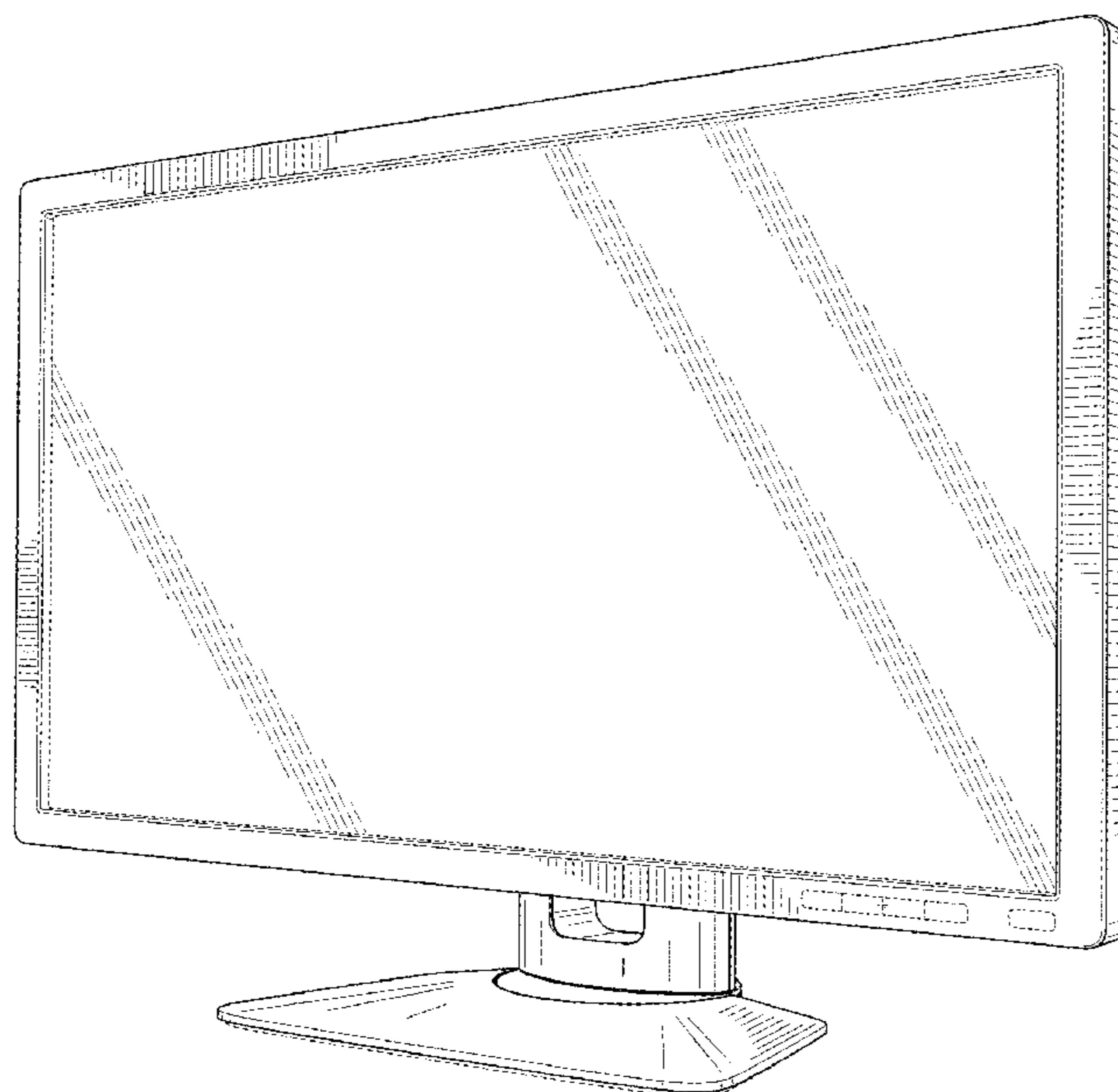
FIG. 6 is a right side view thereof;

FIG. 7 is a top view thereof; and,

FIG. 8 is a bottom view thereof.

The broken lines in the drawings are for illustrative purposes only and form no part of the claimed design.

1 Claim, 8 Drawing Sheets



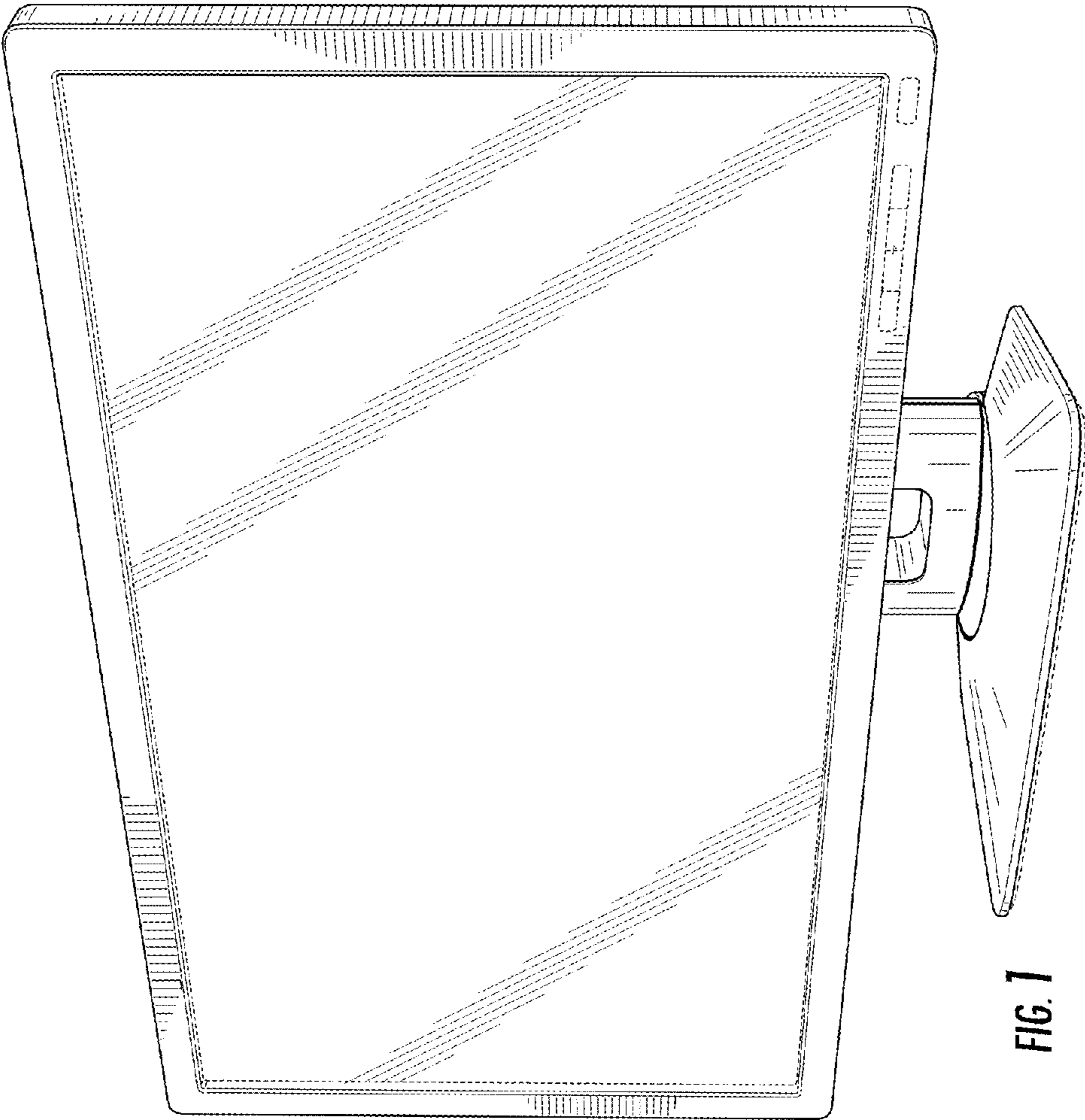


FIG. 1

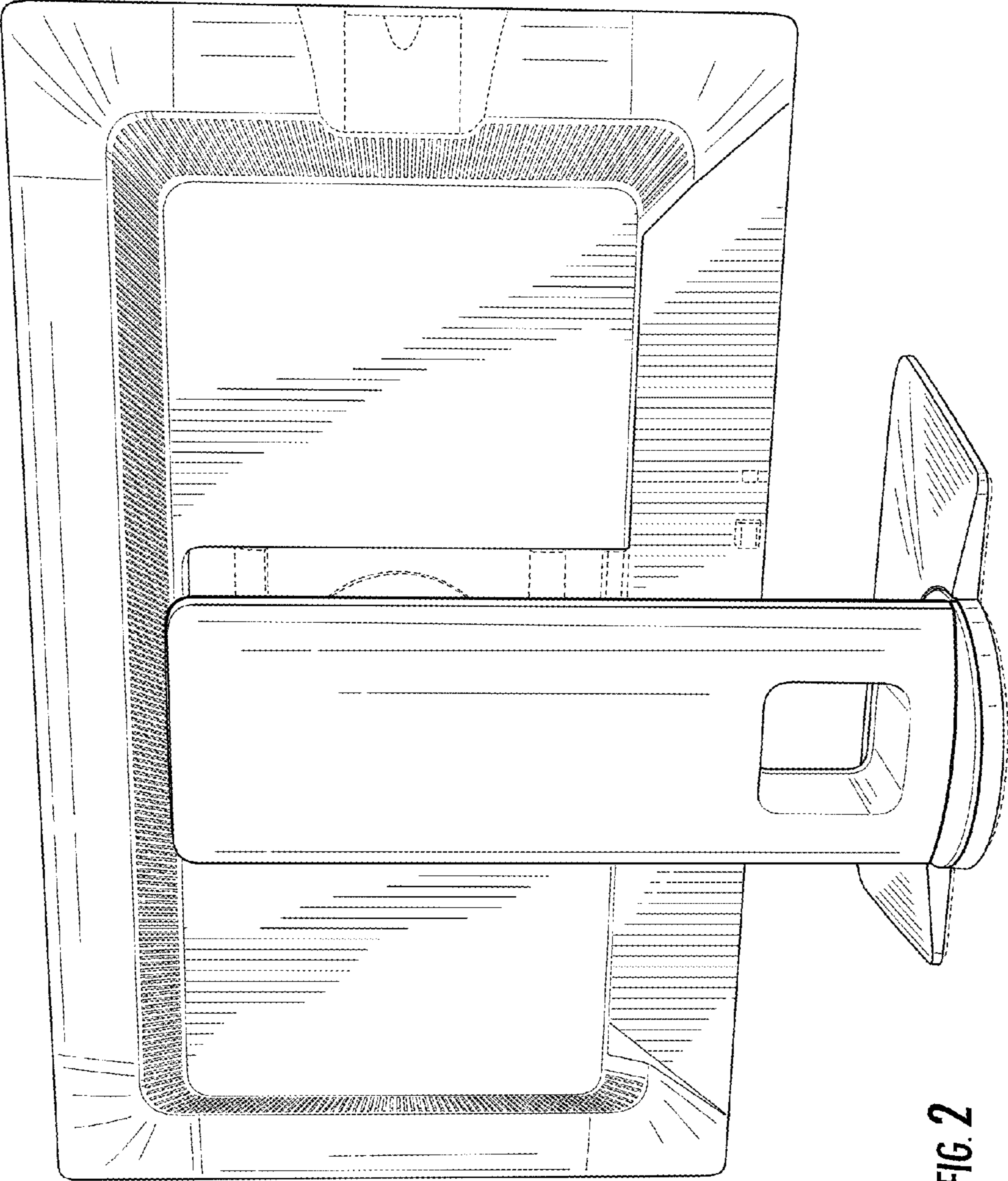


FIG. 2

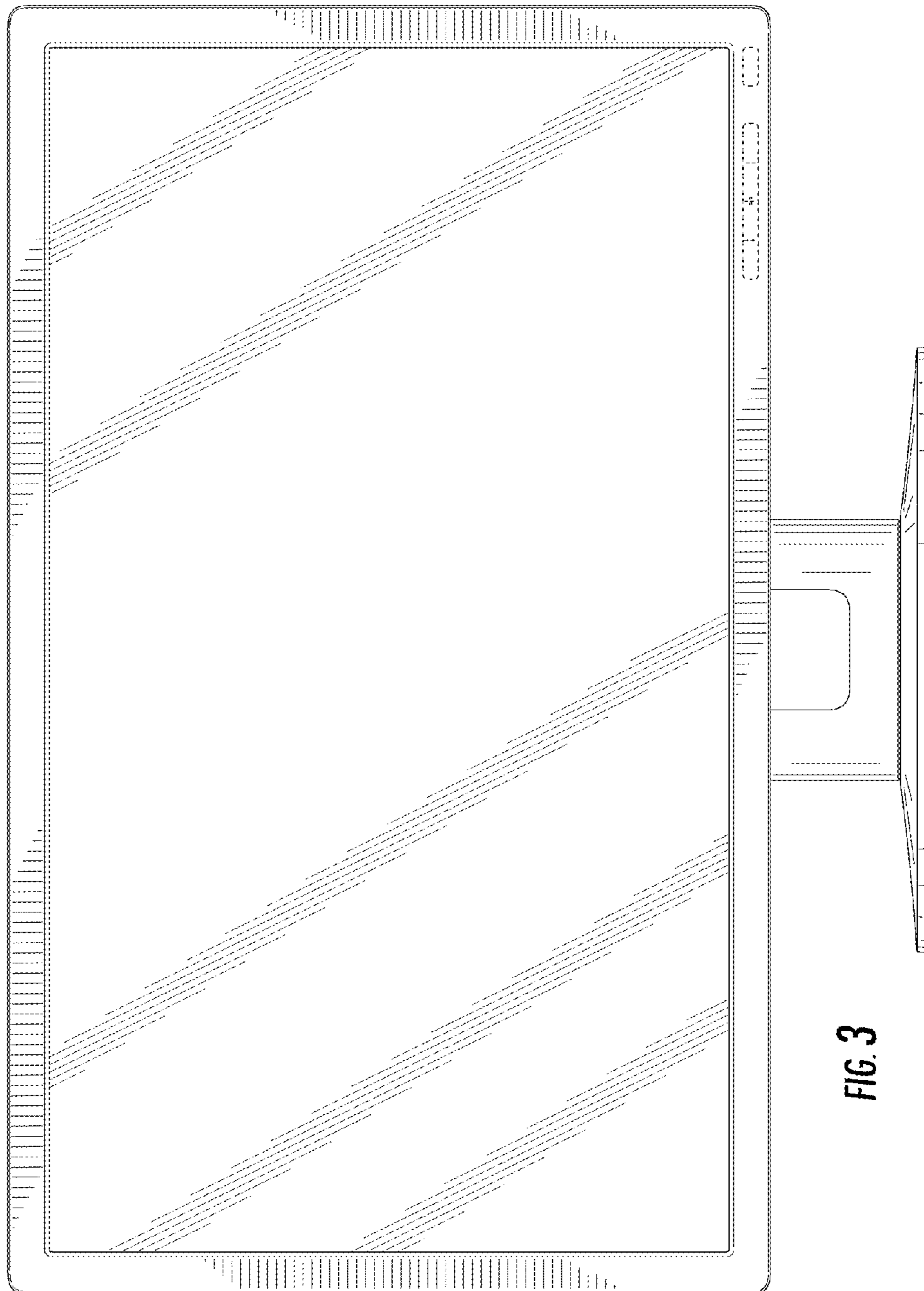


FIG. 3

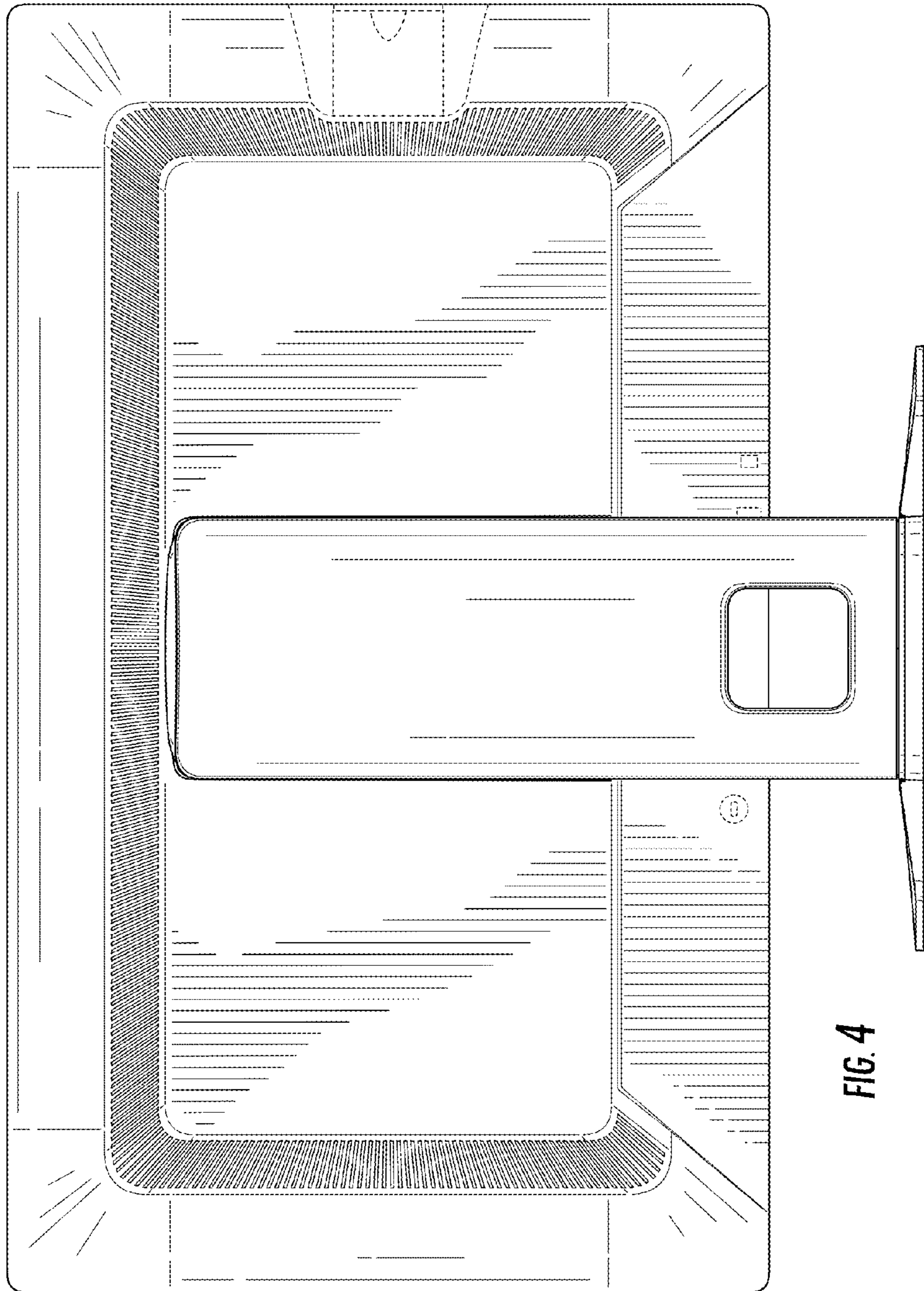


FIG. 4

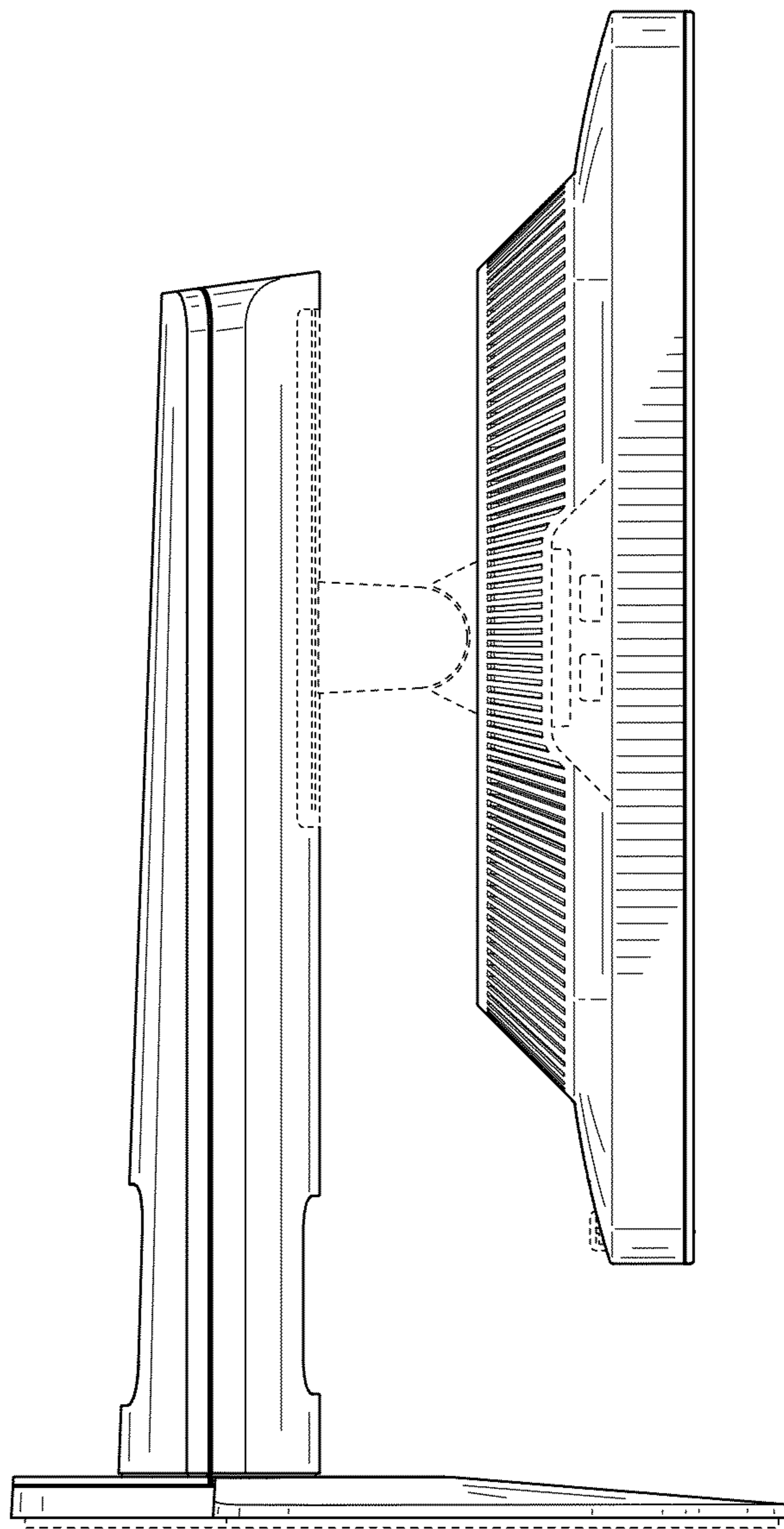


FIG. 5

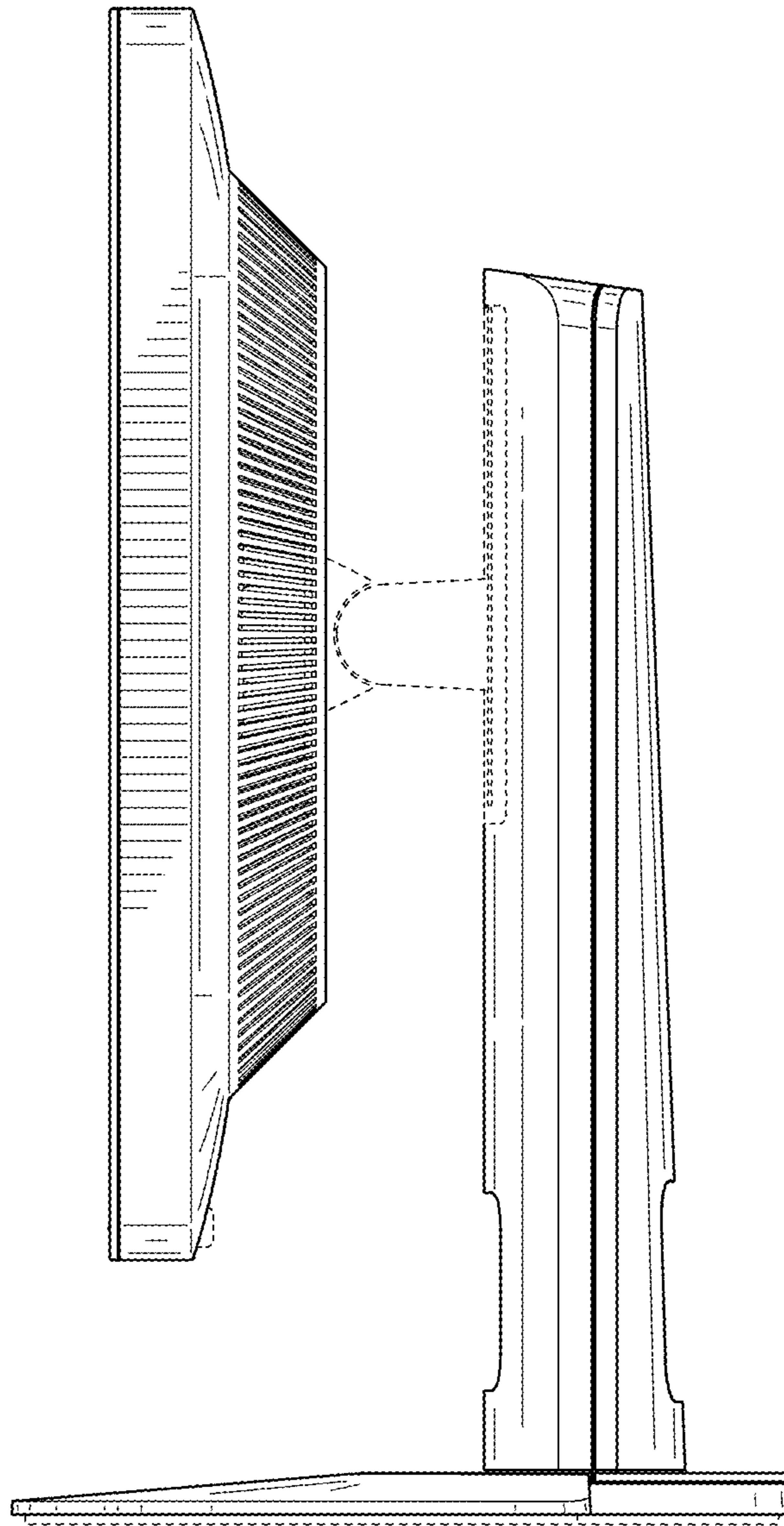


FIG. 6

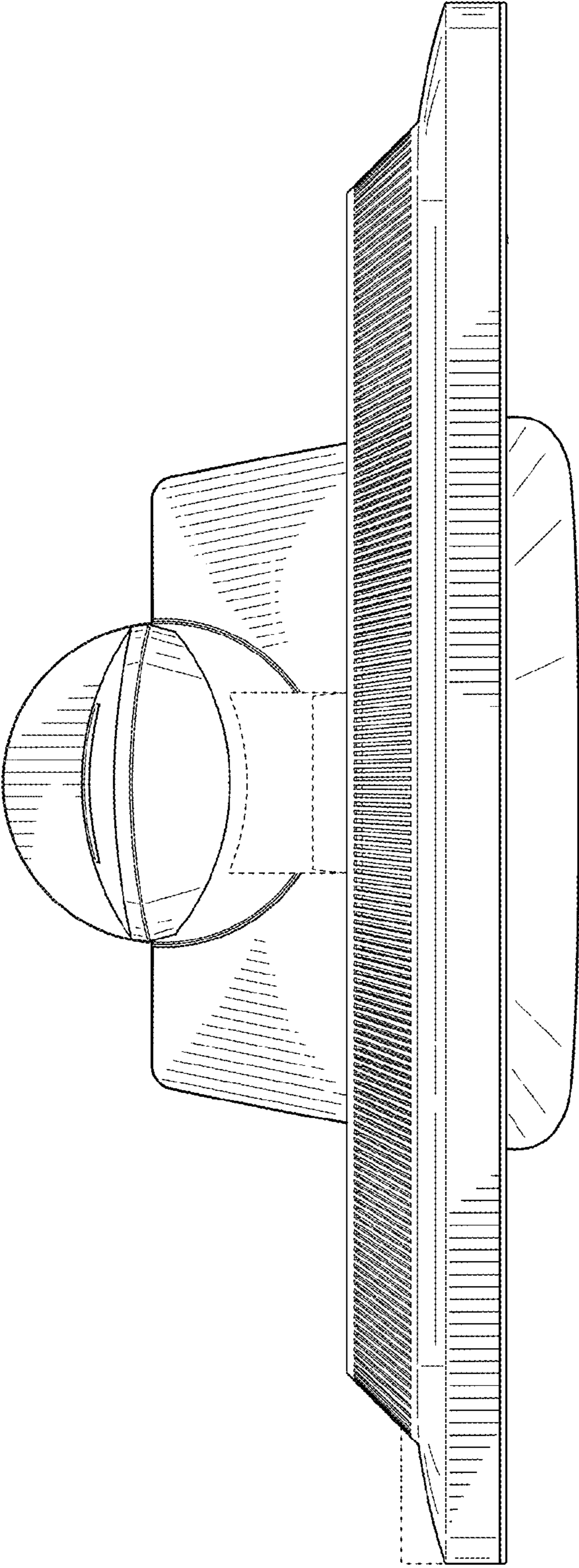


FIG. 7

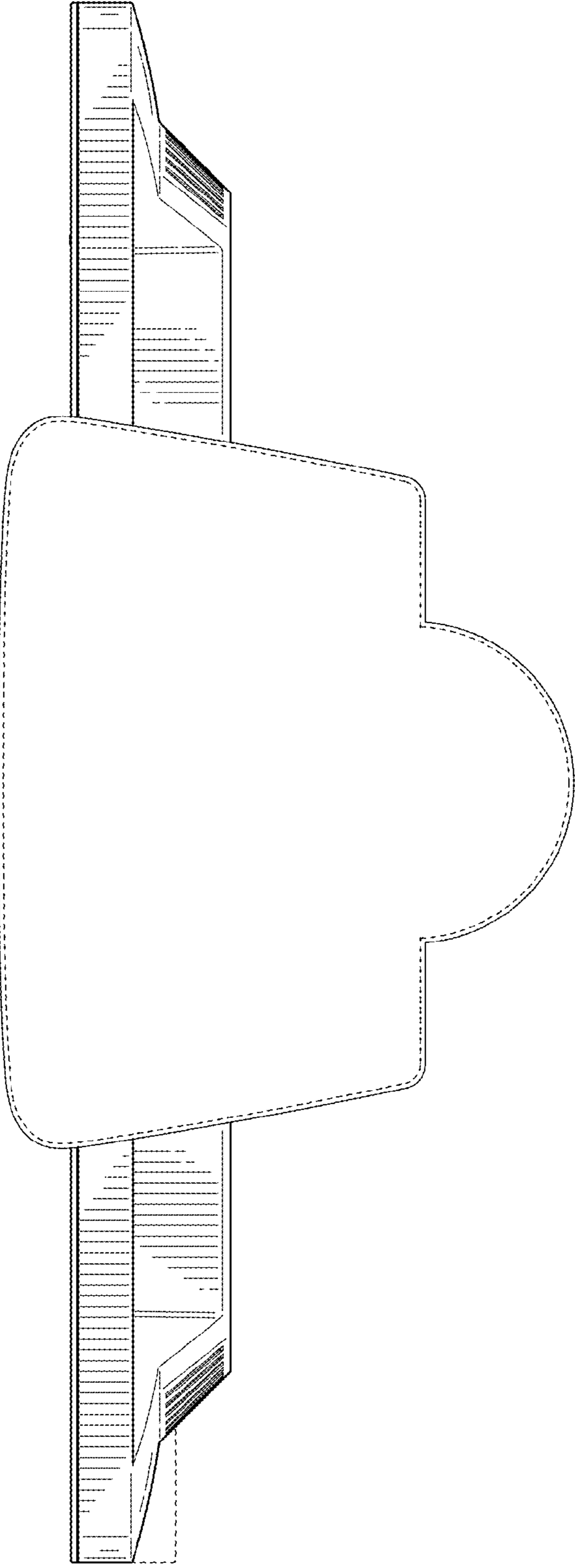


FIG. 8