



US00D710341S

(12) **United States Design Patent**
Cheng

(10) **Patent No.:** **US D710,341 S**

(45) **Date of Patent:** **** Aug. 5, 2014**

(54) **HOME GATEWAY**

D583,367 S * 12/2008 Chen D14/240
D613,727 S * 4/2010 Xie et al. D14/240
D629,398 S * 12/2010 Chang D14/240

(75) Inventor: **Chi-Hsiang Cheng**, New Taipei (TW)

(73) Assignees: **Lite-On Electronics (Guangzhou) Limited**, Guangzhou (CN); **Lite-On Technology Corporation**, Taipei (TW)

FOREIGN PATENT DOCUMENTS

KR RGN300584939.0000 * 1/2011
TW D138212 * 12/2010

(**) Term: **14 Years**

* cited by examiner

(21) Appl. No.: **29/432,403**

Primary Examiner — Bridget L Eland

(22) Filed: **Sep. 14, 2012**

(74) *Attorney, Agent, or Firm* — Li&Cai Intellectual Property (USA) Office

(30) **Foreign Application Priority Data**

Aug. 27, 2012 (CN) 2012 3 0405718

(51) **LOC (10) Cl.** **14-03**

(52) **U.S. Cl.**
USPC **D14/240**

(58) **Field of Classification Search**
USPC D14/242, 240, 357, 358, 140-140.9,
D14/155, 137, 139, 243, 348, 349, 351, 354,
D14/355; 375/222; 455/557; 725/111
See application file for complete search history.

(57) **CLAIM**

The ornamental design for a “home gateway,” as shown and described.

DESCRIPTION

FIG. 1 is a perspective view of a “home gateway” showing my new design;
FIG. 2 is a front view thereof;
FIG. 3 is a rear view thereof;
FIG. 4 is a left side view thereof;
FIG. 5 is a right side view thereof;
FIG. 6 is a top view thereof; and,
FIG. 7 is a bottom view thereof.

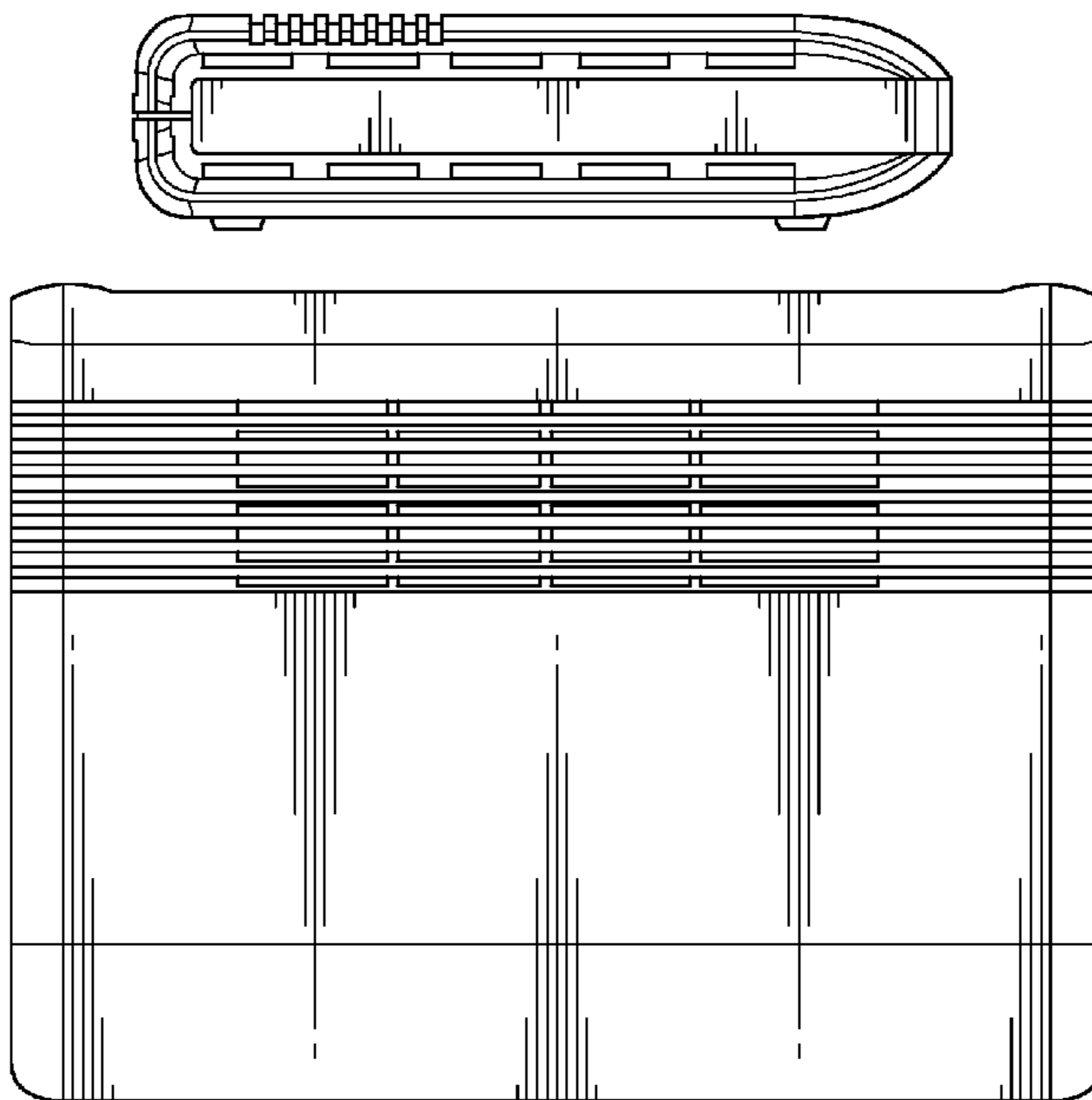
The broken lines immediately adjacent the shaded areas represent the bounds of the claimed design while all other broken lines are directed to environment and are for illustrative purposes only; the broken lines form no part of the claimed design. Further, the wire frame lines shown throughout the views are intended to indicate surface contour and are not intended to be surface ornamentation.

(56) **References Cited**

U.S. PATENT DOCUMENTS

D313,233 S * 12/1990 Andrews et al. D14/141.1
D338,885 S * 8/1993 Solomita et al. D14/141.1
D390,570 S * 2/1998 Read D14/240
D402,641 S * 12/1998 Heijnen D13/184
D470,848 S * 2/2003 Morooka D14/433
D563,538 S * 3/2008 Verdura et al. D23/364
D571,743 S * 6/2008 Tu D14/125
D577,021 S * 9/2008 Kuang et al. D14/363
D579,931 S * 11/2008 Chang D14/242
D580,422 S * 11/2008 Lee D14/240

1 Claim, 4 Drawing Sheets



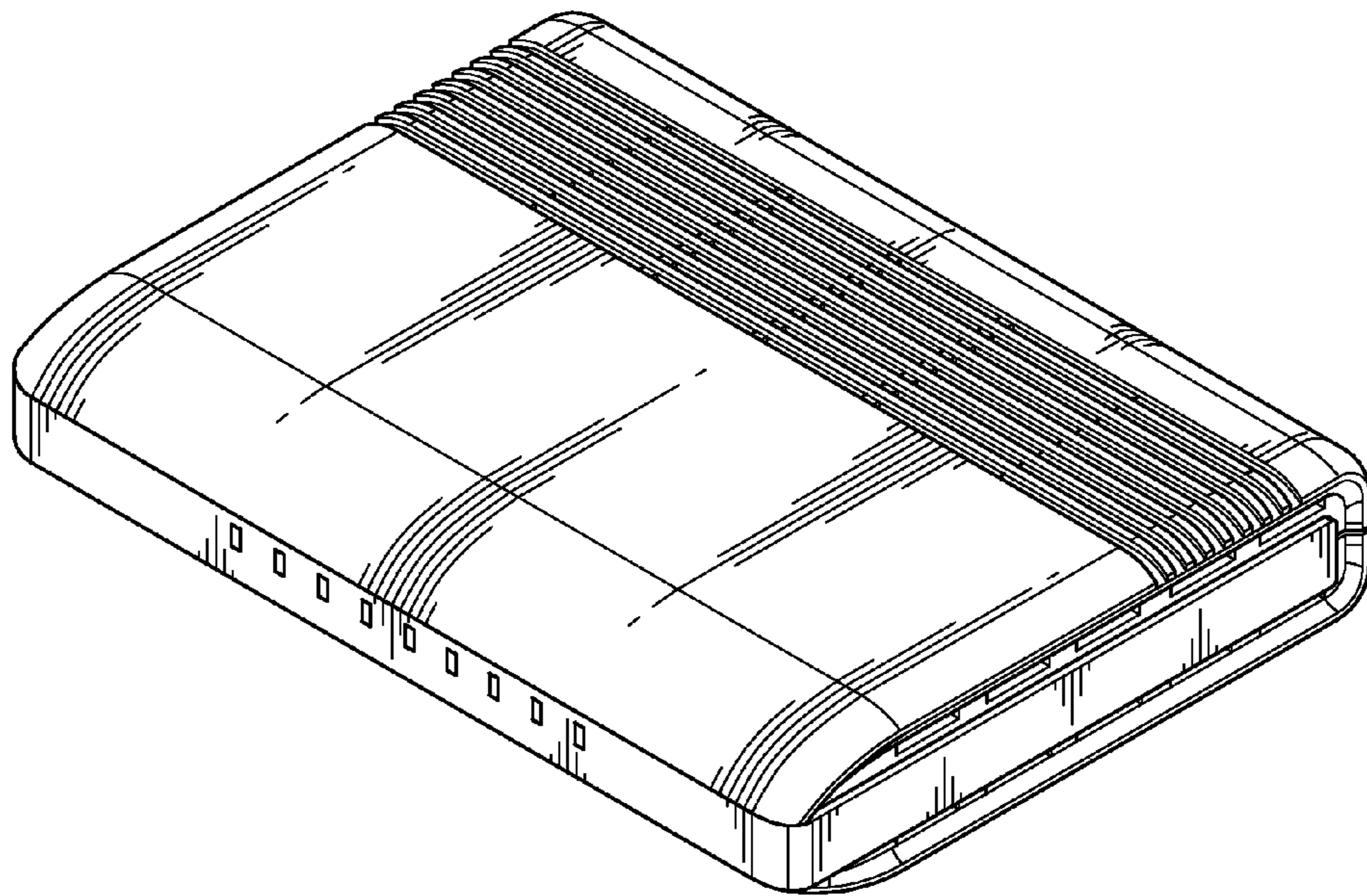


FIG. 1

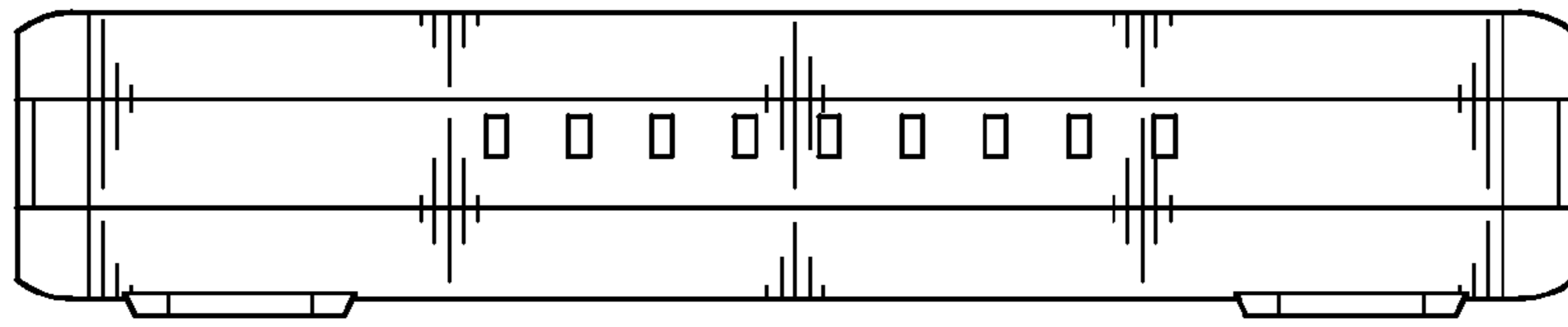


FIG. 2

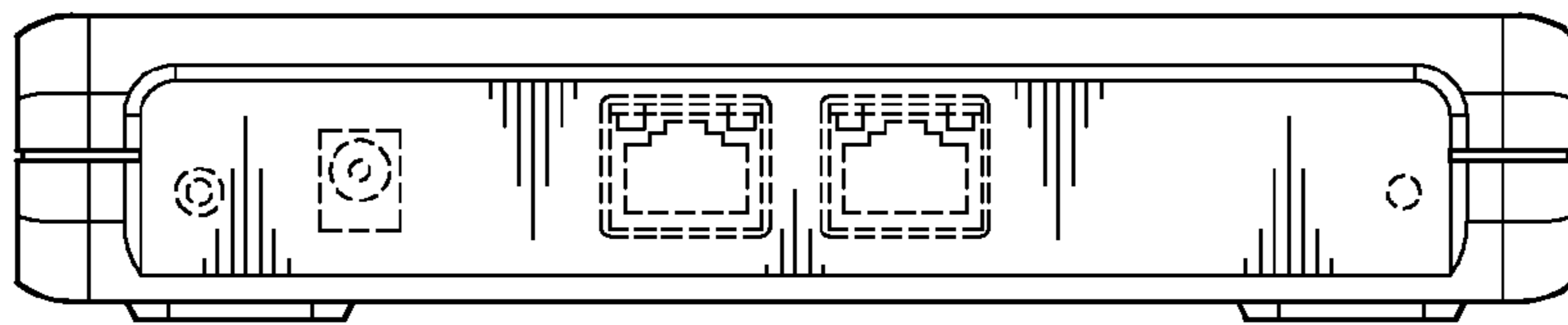


FIG. 3

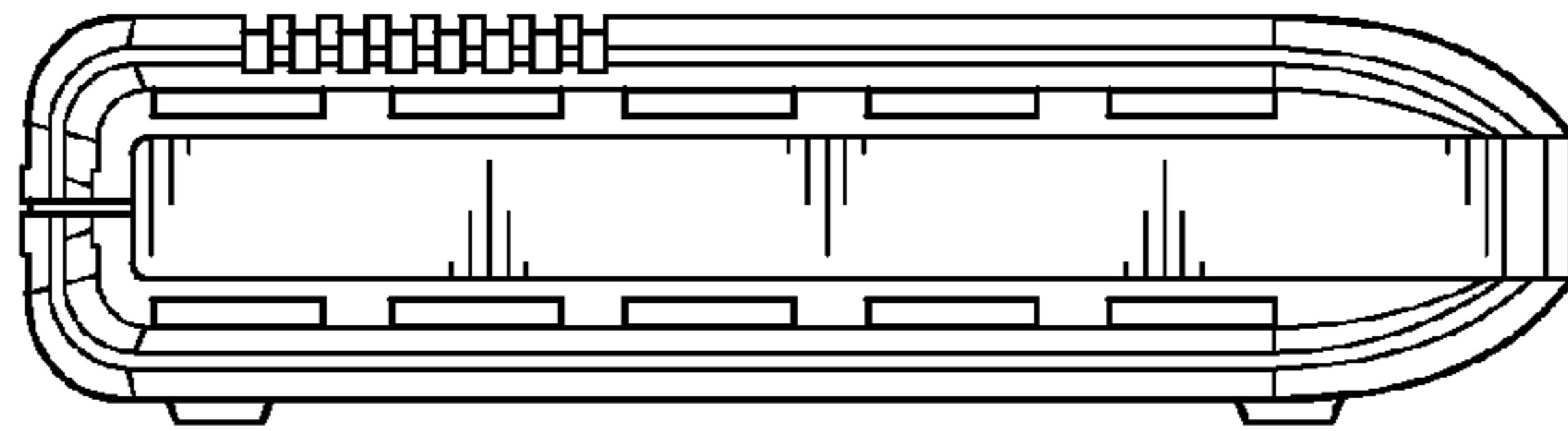


FIG. 4

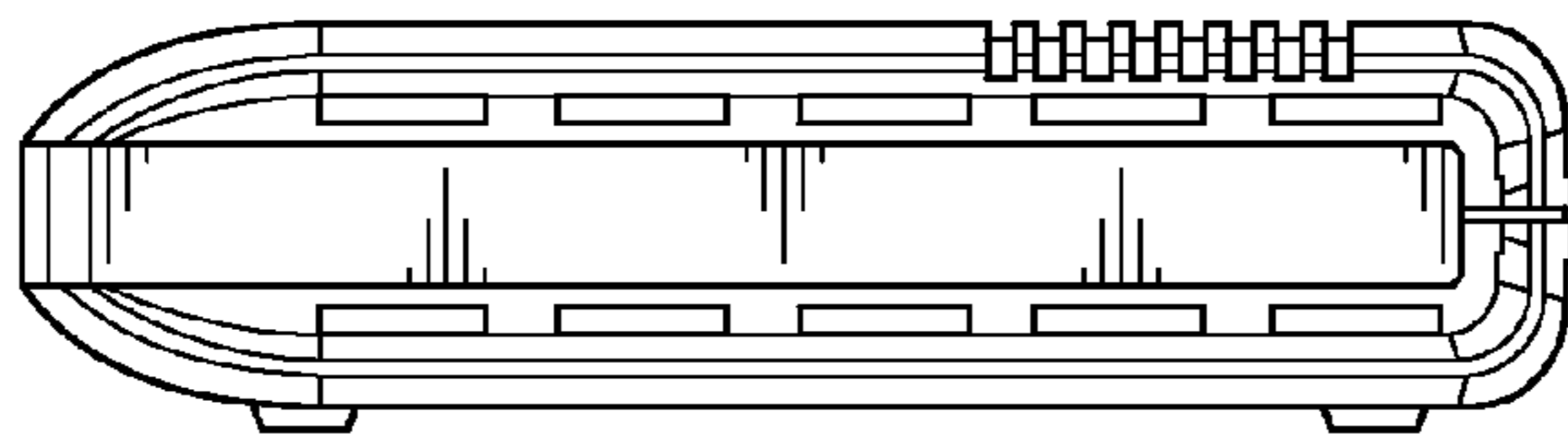


FIG. 5

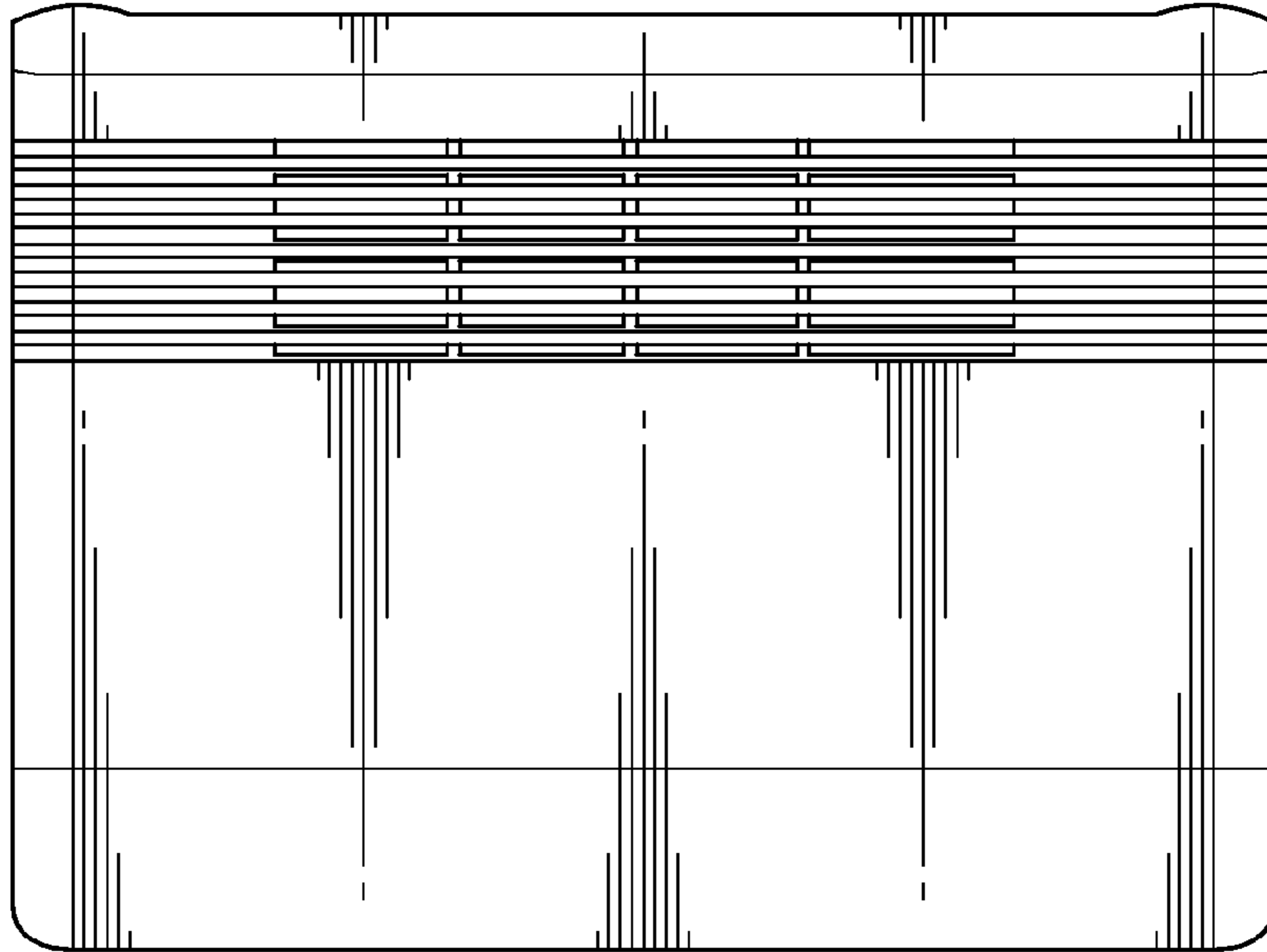


FIG. 6

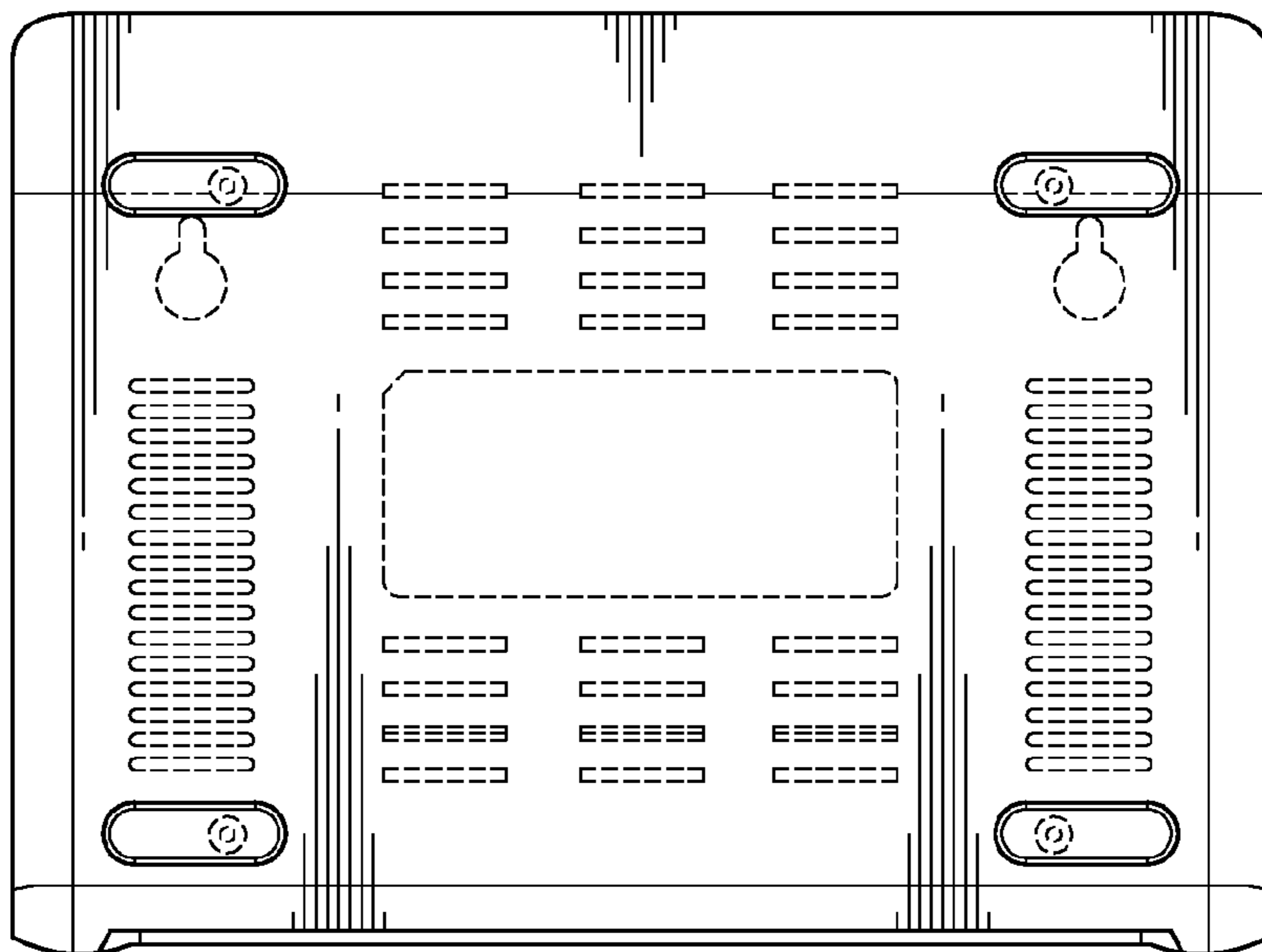


FIG. 7