



US00D710340S

(12) **United States Design Patent**
Wengreen et al.

(10) **Patent No.:** **US D710,340 S**

(45) **Date of Patent:** **** Aug. 5, 2014**

(54) **MOUNT**

3,091,378 A 5/1963 O'Dwyer
3,176,950 A 4/1965 Hittesdorf
3,279,009 A 10/1966 Teasdale

(71) Applicant: **Innovelis, Inc.**, Sammamish, WA (US)

(Continued)

(72) Inventors: **Brian Jeffrey Wengreen**, Ravensdale, WA (US); **Eric John Wengreen**, Sammamish, WA (US)

OTHER PUBLICATIONS

(73) Assignee: **Innovelis, Inc.**, Sammamish, WA (US)

Out of Sight Bracket—Website Part 1 (downloaded on Nov. 13, 2013 from http://www.outofsightbracket.com/OutOfSightBracket/Out_of_Sight_Bracket_for_Apple_TV.html). The website says the Out of Sight Bracket is “Patent Pending.” The Out of Sight Bracket might have been made by Gordon H. Beckhart.

(**) Term: **14 Years**

(Continued)

(21) Appl. No.: **29/485,889**

(22) Filed: **Mar. 24, 2014**

Primary Examiner — Prabhakar Deshmukh

Related U.S. Application Data

(57)

CLAIM

The ornamental design for a mount, as shown and described.

(63) Continuation of application No. 13/332,373, filed on Dec. 21, 2011, which is a continuation-in-part of application No. 13/278,759, filed on Oct. 21, 2011.

DESCRIPTION

(51) **LOC (10) Cl.** **14-01**

(52) **U.S. Cl.**
USPC **D14/238.1**

(58) **Field of Classification Search**
USPC D14/432, 434, 447, 357, 299, 496,
D14/203.1–203.8, 238.1; D21/324, 328,
D21/332, 333; 361/600, 679–686, 679.55,
361/679.56; 320/114, 115; 345/156–161,
345/905, 901; 439/529, 534, 929; 248/127,
248/307, 309.1, 918; 348/373, 376, 825,
348/836

See application file for complete search history.

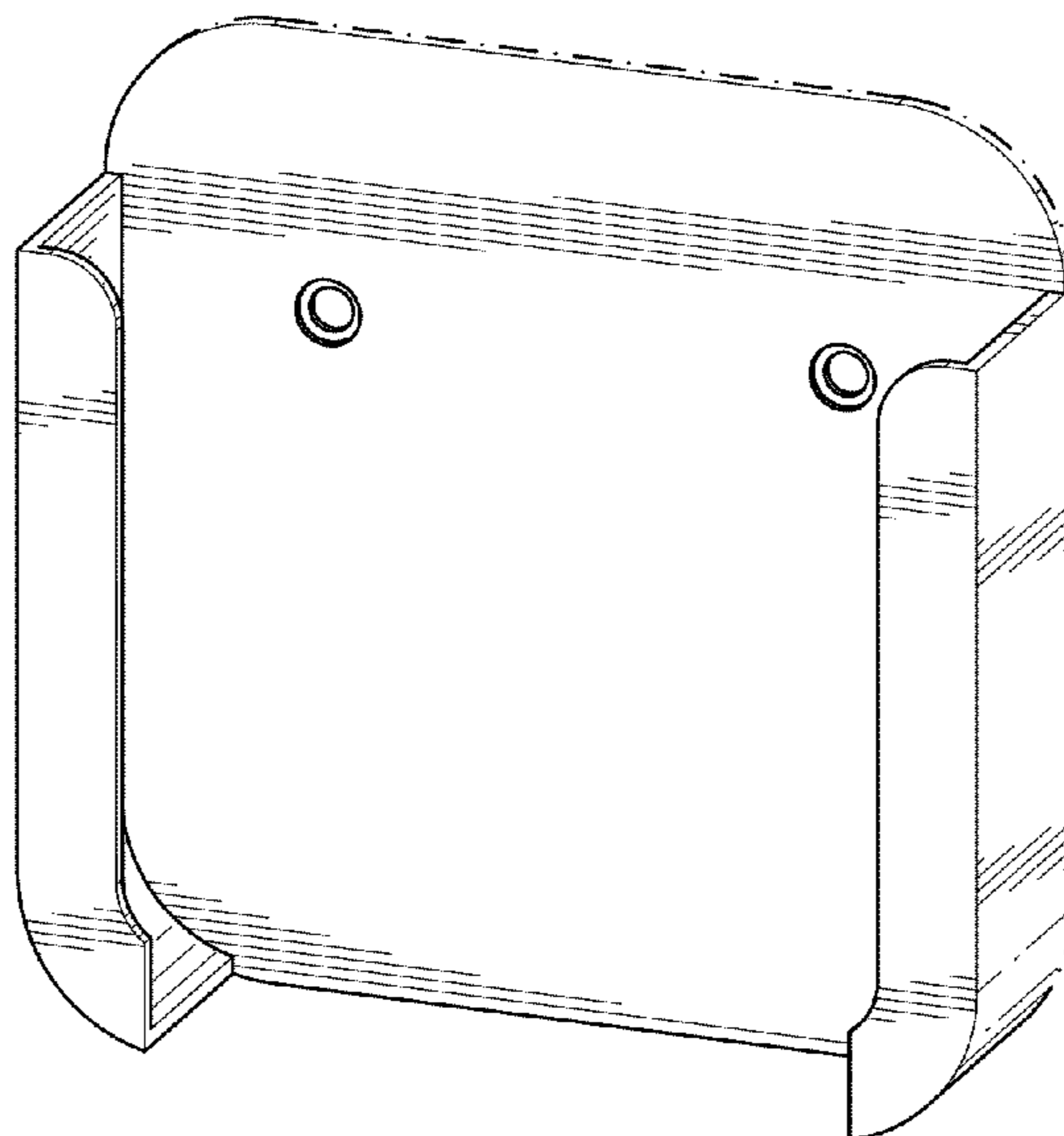
FIG. 1 is a front, side, and top perspective view of a mount embodying the new design.
FIG. 2 is a back, side, and top perspective view thereof.
FIG. 3 is a front view thereof.
FIG. 4 is a back view thereof.
FIG. 5 is a top view thereof.
FIG. 6 is a first side view thereof, the second side view being a mirror image.
FIG. 7 is a side, top, and front perspective view thereof.
FIG. 8 is a bottom, back, and side perspective view thereof.
FIG. 9 is a bottom, front, and side perspective view thereof; and,
FIG. 10 is a front, top, and side perspective view thereof.
The broken lines showing a digital media player, cables, and a backside of a television form no part of the claimed design. The dot-dash lines form unclaimed boundaries of the claim, which together with the other broken lines form no part of the claimed design.

(56) **References Cited**

U.S. PATENT DOCUMENTS

1,618,573 A 2/1927 Cole
2,584,646 A 2/1952 Wagstaff

1 Claim, 6 Drawing Sheets



(56)

References Cited

OTHER PUBLICATIONS

U.S. PATENT DOCUMENTS

3,294,298	A	12/1966	Danielson	
3,990,617	A	11/1976	Carter	
4,602,761	A	7/1986	Carter	
4,746,042	A	5/1988	King	
4,771,927	A	9/1988	Ventura	
4,826,115	A	5/1989	Novitski	
4,840,773	A	6/1989	Wade	
4,852,843	A	8/1989	Chandler	
4,974,764	A	12/1990	Cantwell	
5,038,985	A	8/1991	Chapin	
5,092,395	A	3/1992	Amidzich	
5,273,690	A	12/1993	McDowell	
5,297,318	A	3/1994	Adolphson	
D351,341	S	10/1994	Hung	
5,400,990	A	3/1995	Frankel	
5,535,093	A	7/1996	Noguchi	
5,593,124	A	1/1997	Wang	
D378,988	S *	4/1997	Brown et al.	D8/380
5,619,395	A	4/1997	McBride	
5,619,774	A	4/1997	Perry	
D388,107	S	12/1997	Huckins	
5,850,998	A	12/1998	Parsey	
5,899,371	A	5/1999	Weliver	
5,914,707	A	6/1999	Kono	
5,961,083	A	10/1999	Hartman	
5,979,724	A	11/1999	Loewenthal	
6,042,414	A *	3/2000	Kunert	439/374
6,102,660	A	8/2000	Lee	
6,105,923	A	8/2000	Robertson	
6,193,546	B1 *	2/2001	Sadler	439/534
D443,493	S	6/2001	Skeem	
6,275,885	B1	8/2001	Chin	
6,336,615	B1	1/2002	Jeon	
D456,413	S	4/2002	Malson	
6,560,983	B1	5/2003	Schimmeyer	
6,691,374	B2	2/2004	Coyne	
D495,336	S *	8/2004	Andre et al.	D14/434
6,888,940	B1	5/2005	Deppen	
6,939,641	B2	9/2005	Kincaid	
7,079,384	B2	7/2006	Wang	
7,113,218	B2	9/2006	Battles	
7,145,603	B2	12/2006	Whitby	
D535,826	S	1/2007	Toghanian	
7,222,762	B2	5/2007	Rees	
D545,343	S	6/2007	Braun	
D560,411	S	1/2008	Chung	
D565,399	S	4/2008	Grey	
7,367,089	B2	5/2008	Cooke	
D570,801	S	6/2008	Allen	
D596,621	S *	7/2009	Andre et al.	D14/217
D598,945	S	8/2009	Gillespie	
7,580,255	B2	8/2009	Crooijmans	
D610,128	S *	2/2010	Andre et al.	D14/217
D624,949	S	10/2010	Nakayama	
D625,729	S	10/2010	McNames	
7,854,420	B2	12/2010	Depay	
D633,503	S	3/2011	Bo	
8,002,225	B1 *	8/2011	Malone	248/214
D657,362	S	4/2012	Lister	
D662,491	S	6/2012	Andre	
D667,411	S	9/2012	Kim	
D682,463	S *	5/2013	Bernard	D26/140
8,434,636	B2 *	5/2013	Byers	220/367.1
8,544,805	B2	10/2013	Virgin	
2005/0236541	A1	10/2005	Chang	
2007/0264169	A1	11/2007	Chen	
2008/0078793	A1	4/2008	Brown	
2009/0218454	A1	9/2009	Stanley	
2010/0314277	A1	12/2010	Murray	
2012/0126081	A1	5/2012	Wengreen	
2012/0127379	A1	5/2012	Wengreen	

Out of Sight Bracket—Website Part 2 (downloaded on Nov. 13, 2013 from http://www.outofsightbracket.com/OutOfSightBracket/How_to_mount_your_Apple_TV_or_AirPort_Express.html). The website says the Out of Sight Bracket is “Patent Pending.” The Out of Sight Bracket might have been made by Gordon H. Beckhart.

Out of Sight Bracket—Website Part 3 (downloaded on Nov. 13, 2013 from <http://www.soundandvision.com/content/bracket-keeps-apple-airport-express-and-apple-tv-out-sight>).

TV Tray—Website (downloaded on Nov. 13, 2013 from <http://h-sq.com/products/tvtray/>).

TV Tray—Installation Guide (downloaded on Nov. 13, 2013 from http://www.h-sq.com/downloads/tvtx_ug.pdf).

Cosmos Tray—Website (downloaded on Nov. 13, 2013 from http://www.amazon.com/Cosmos-MD199LL-AirPort-Express-Station/dp/B00C2JNGB2/ref=sr_1_4?ie=UTF8&qid=1384406376&sr=8-4&keywords=apple+tv+mount).

CTA Digital—Website (downloaded on Nov. 13, 2013 from <http://www.ctadigital.com/downloads/KIN-WMC-final.pdf>).

PDP Mounting Clip—Part 1 (downloaded on Nov. 13, 2013 from <http://www.amazon.com/Kinect-Sensor-TV-Mounting-Clip-Xbox/dp/B004XV6ST4>).

PDP Mounting Clip—Part 2 (downloaded on Nov. 13, 2013 from http://www.microsoftstore.com/store/msusa/en_US/pdp/Kinect-Sensor-TV-Mounting-Clip/productID.253726200).

PDP Mounting Clip—Part 3 (downloaded on Nov. 13, 2013 from <http://www.bestbuy.com/site/pdp-sensor-mounting-clip-for-kinect/3521258.p?id=1218408957863&skuId=3521258>).

ScreenDeck (downloaded on Nov. 13, 2013 from http://news.cnet.com/8301-17938_105-20071226-1/screendeck-adds-top-shelf-to-your-flat-panel-tv/).

Center Stage Bracket—Part 1 (downloaded on Nov. 13, 2013 from <http://www.bestbuy.com/site/center-stage-bracket-satellite-center-channel-speaker-shelf-bracket-black/5857191.p?id=1218697292805&skuId=5857191>).

Center Stage Bracket—Part 2 (downloaded on Nov. 13, 2013 from <http://www.bestbuy.com/site/center-stage-bracket-satellite-center-channel-speaker-shelf-bracket-black/5857191.p?id=1218697292805&skuld=5857191>).

DreamGear TriMount (downloaded on Nov. 14, 2013 from <http://www.dreamgear.net/shop-by-platform/universal/trimount.html>).

Medialink router (downloaded on Jan. 2, 2014 from http://www.medialinkproducts.com/docs/MWN-WAPR150N_User_Guide.pdf).

Cisco router wall mounting instructions (downloaded on Jan. 2, 2014 from <http://www.cisco.com/en/US/docs/routers/access/1800/1841/hardware/installation/guide/18inst.pdf>).

Cisco wall mounting bracket (downloaded on Jan. 2, 2014 from <http://www.cisco.com/en/US/docs/routers/access/800/806/hardware/installation/guide/install.pdf>).

Netgear ProSafe (downloaded on Jan. 2, 2014 from http://www.storagereview.com/netgear_prosafe_wndap660_dualband_wireless_access_point_review) article includes a date of Dec. 21, 2012.

Wireless router picture (downloaded on Jan. 2, 2014 from <http://www.techwarelabs.com/wp-content/gallery/engienus-esr9850-wireless-router/router-bottom.jpg>).

Apple TV, downloaded on Feb. 3, 2014 from <http://www.apple.com/appletv/what-is/>.

Roku media players—Part 1, downloaded on Feb. 3, 2014 from <http://www.roku.com/products/roku-2>.

Roku media players—Part 2, downloaded on Feb. 3, 2014 from <http://www.roku.com/products/compare>.

Innovelis, Inc. Product—TotalMount—Apple TV Mounting Kit, downloaded from Amazon.com on Feb. 3, 2014, first available on Amazon.com on Jun. 22, 2011: http://www.amazon.com/TotalMount-Apple-Universal-Mounting-Kit/dp/B0057CVH6W/ref=sr_1_1?ie=UTF8&qid=1391473446&sr=8-1&keywords=TOTALMOUNT.

Innovelis, Inc. Product—TotalMount—Roku Mounting Kit, downloaded from Amazon.com on Feb. 3, 2014, first available on Amazon.com on Jun. 14, 2012: http://www.amazon.com/TotalMount-ROKU-UNIVERSAL-MOUNTING-Compatible/dp/B008B1125W/ref=32sr_1_2?ie=UTF8&qid=1391473922&sr=8-2&keywords=totalmount.

(56)

References Cited

OTHER PUBLICATIONS

Innovelis, Inc. Product—TotalMount—Remote Holder, downloaded from Amazon.com on Feb. 3, 2014, first available on Amazon.com on Jul. 2, 2013: http://www.amazon.com/Apple-TV-Remote-Holder-TotalMount/dp/B00DR76YJO/ref=sr_1_3?ie=UTF8&qid=1391474218&sr=8-3&keywords=totalmount.

Innovelis, Inc. Product—TotalMount—AirPort Express Mounting Kit, downloaded from Amazon.com on Feb. 3, 2014, first available on Amazon.com in approximately Sep. 2012: http://www.amazon.com/TotalMount-AirPort-Express-Mounting-Kit/dp/B009HC7BL8/ref=sr_1_4?ie=UTF8&qid=1391474218&sr=8-4&keywords=totalmount.

Innovelis, Inc. Product—TotalMount—Roku Mounting Kit (Version 1), downloaded from Amazon.com on Feb. 3, 2014, first available on Amazon.com on Jan. 19, 2012: http://www.amazon.com/TotalMount-ROKU-MOUNTING-Compatible-Roku/dp/B006ZS4R46/ref=sr_1_5?ie=UTF8&qid=1391474218&sr=8-5&keywords=totalmount.

Innovelis, Inc. Product—TotalMount—AirPort Extreme Mounting Kit, downloaded from Amazon.com on Feb. 3, 2014, first available on Amazon.com in approximately Apr. 2013: http://www.amazon.com/TotalMount-Compatible-generations-compatible-generation/dp/B00CKCDLK/ref=sr_1_7?ie=UTF8&qid=1391474218&sr=8-7&keywords=totalmount.

Innovelis, Inc. Product—TotalMount—Vizio Mounting Kit, downloaded from Amazon.com on Feb. 3, 2014, first available on Amazon.com in approximately May 2013: http://www.amazon.com/TotalMount-VIZIO-Co-Star-Mounting-Kit/dp/B00GDMXSZ8/ref=sr_1_10?ie=UTF8&qid=1391474218&sr=8-10&keywords=totalmount.

U.S. Appl. No. 14/209,452, filed Mar. 13, 2014; entitled Mounting Methods for Digital Media Players.

Design U.S. Appl. No. 29/484,833, filed Mar. 13, 2014; entitled Mount for Electronic Devices.

Design U.S. Appl. No. 29/484,244, filed Mar. 7, 2014; entitled Mount for Electronic Devices.

Design U.S. Appl. No. 29/484,233, filed Mar. 7, 2014; entitled Mount for Electronic Devices.

Design U.S. Appl. No. 29/480,962, filed Jan. 31, 2014; entitled Mounting Arm.

U.S. Appl. No. 14/169,148, filed Jan. 30, 2014; entitled Mounting Methods for Digital Media Players.

Design U.S. Appl. No. 29/480,959, filed Jan. 30, 2014; entitled Mount for Electronic Devices.

U.S. Appl. No. 14/146,178, filed Jan. 2, 2014; entitled Surface Mounting Systems and Methods.

Design U.S. Appl. No. 290/450,269, filed Mar. 15, 2013; entitled Mounting System for Wireless Base Station.

Design U.S. Appl. No. 29/450,229, filed Mar. 15, 2013; entitled Line of Sight Mounting System for Digital Media Players.

Design U.S. Appl. No. 29/450,155, filed Mar. 15, 2013; entitled Remote Control Holder.

U.S. Appl. No. 13/781,717, filed Feb. 28, 2013; entitled Line of Sight Mounting System for Digital Media Players.

U.S. Appl. No. 13/779,733, filed Feb. 27, 2013; entitled Line of Sight Mounting System for Digital Media Players.

U.S. Appl. No. 13/332,373, filed Dec. 21, 2011; entitled Mounting System for Digital Media Players.

U.S. Appl. No. 13/278,759, filed Oct. 21, 2011; entitled Mounting System for Digital Media Players.

U.S. Appl. No. 61/416,736, filed Nov. 23, 2010; entitled Mounting System for Digital Media Players.

* cited by examiner

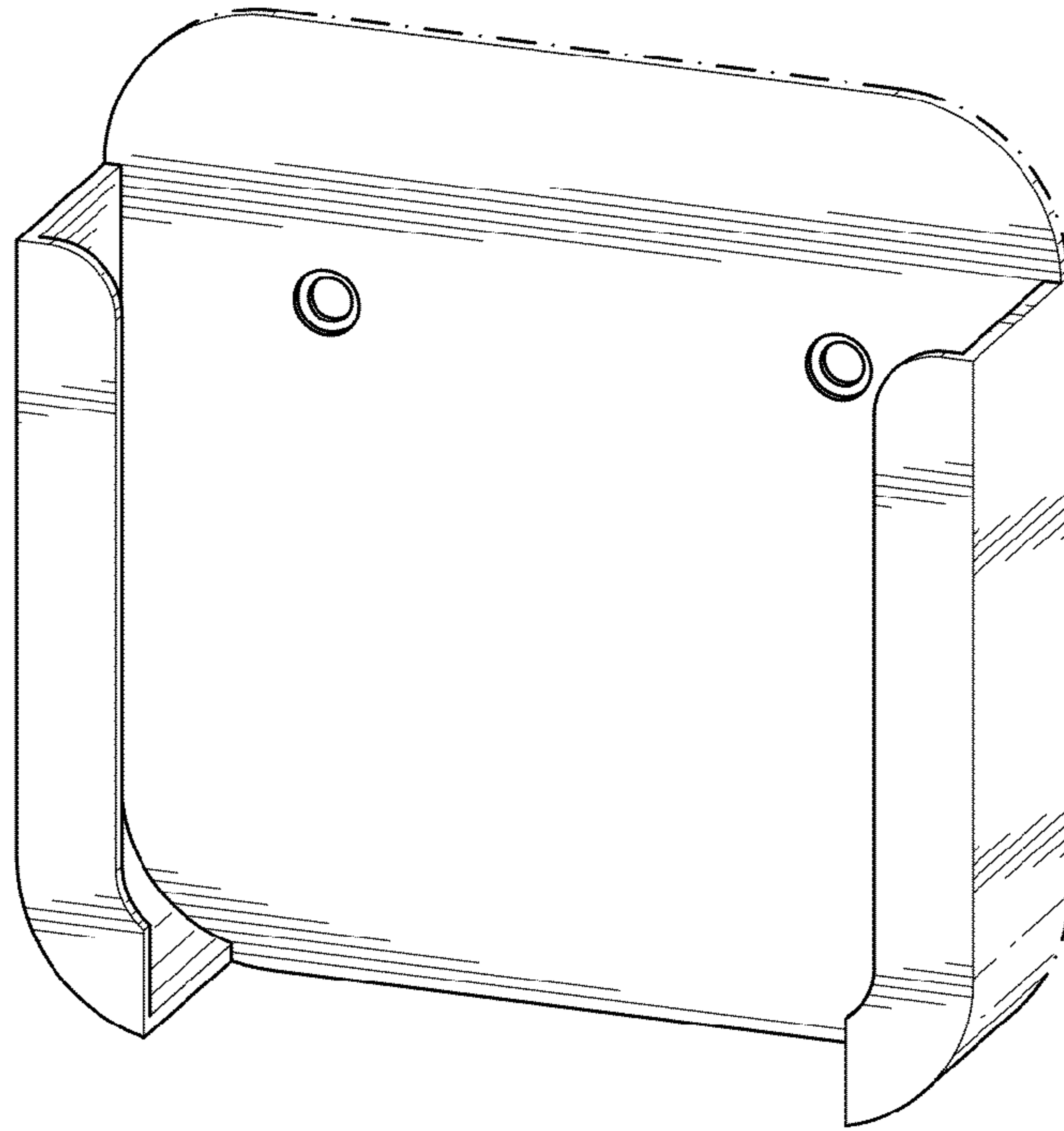


FIG. 1

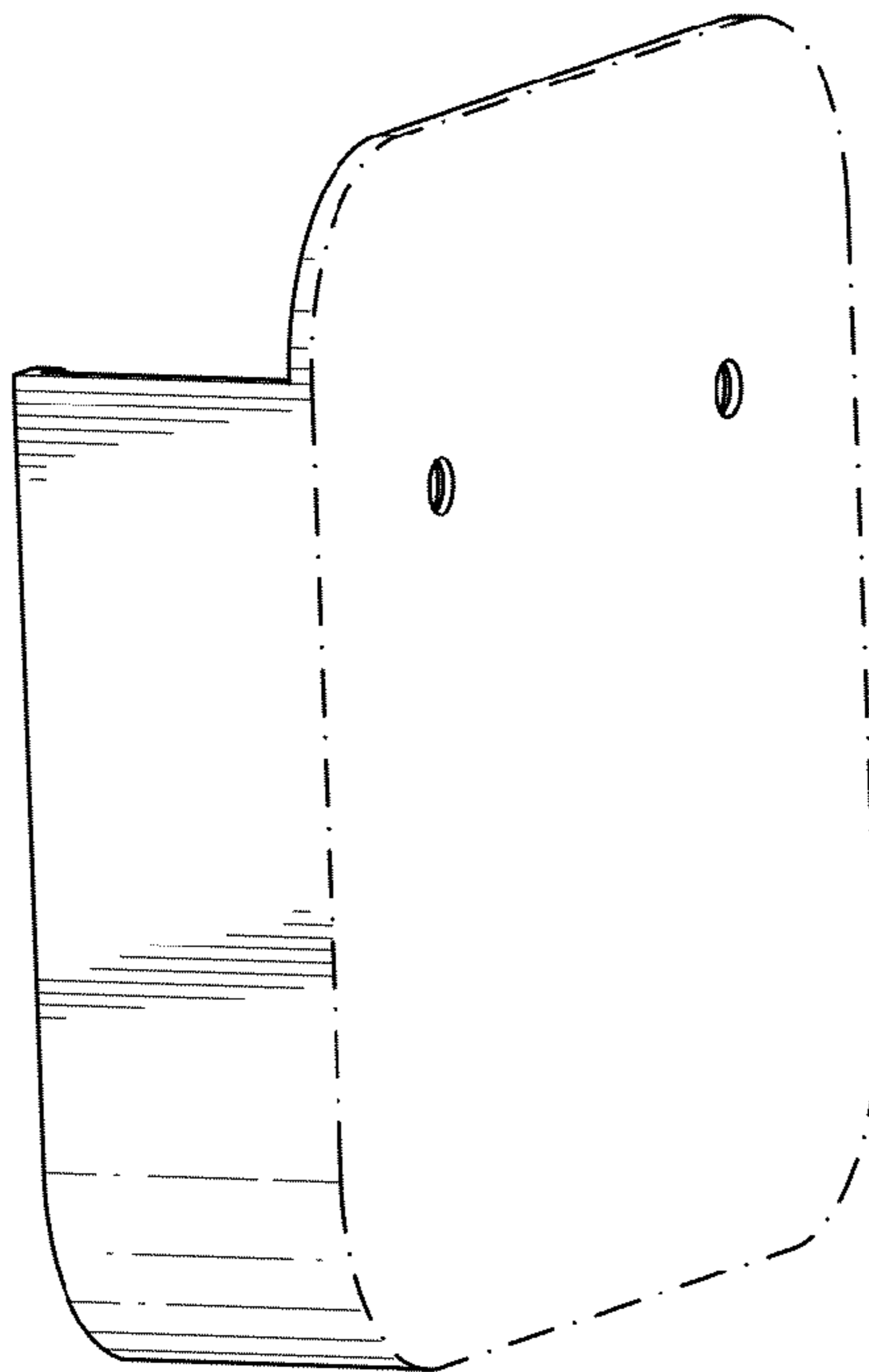


FIG. 2

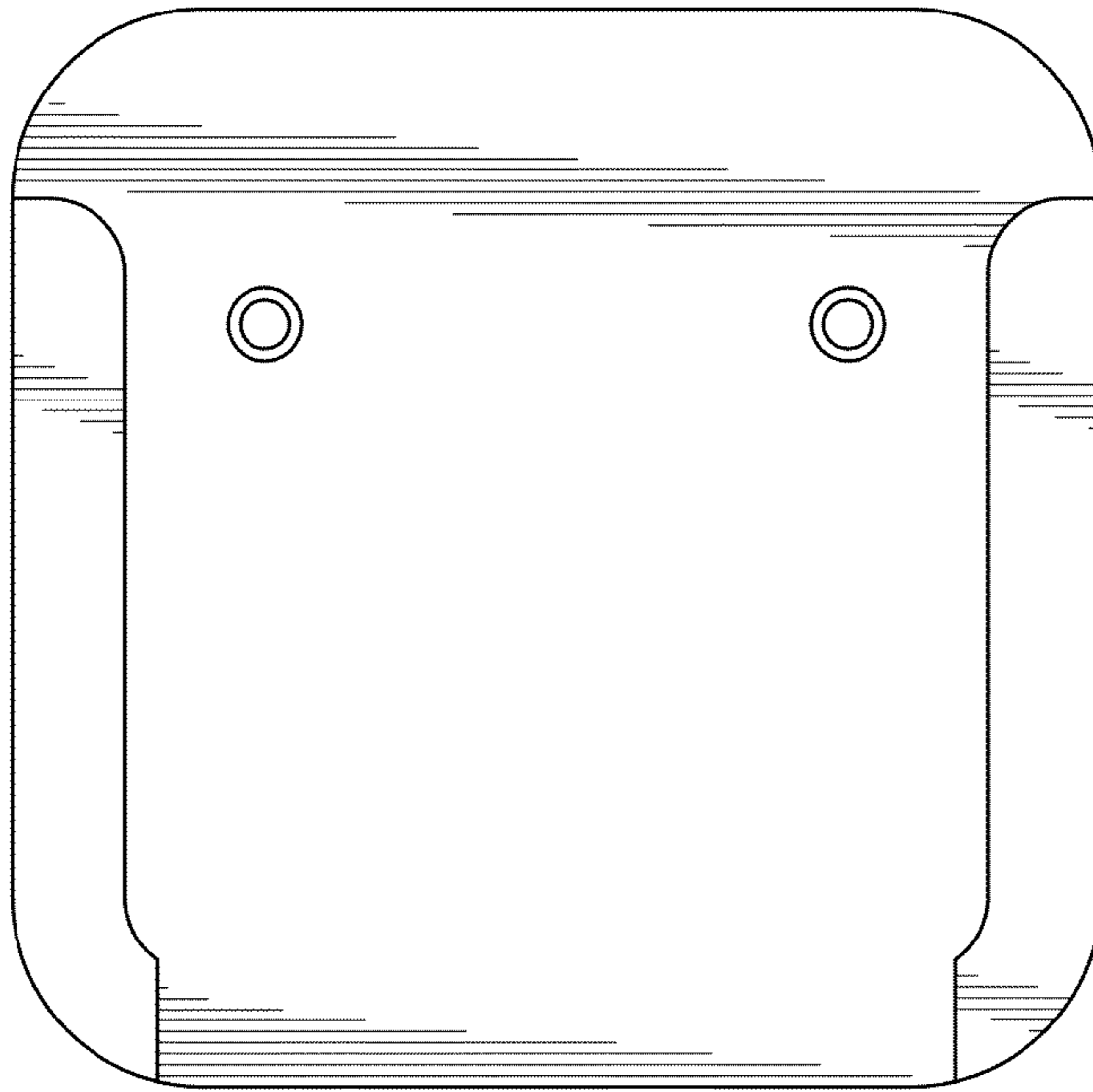


FIG. 3

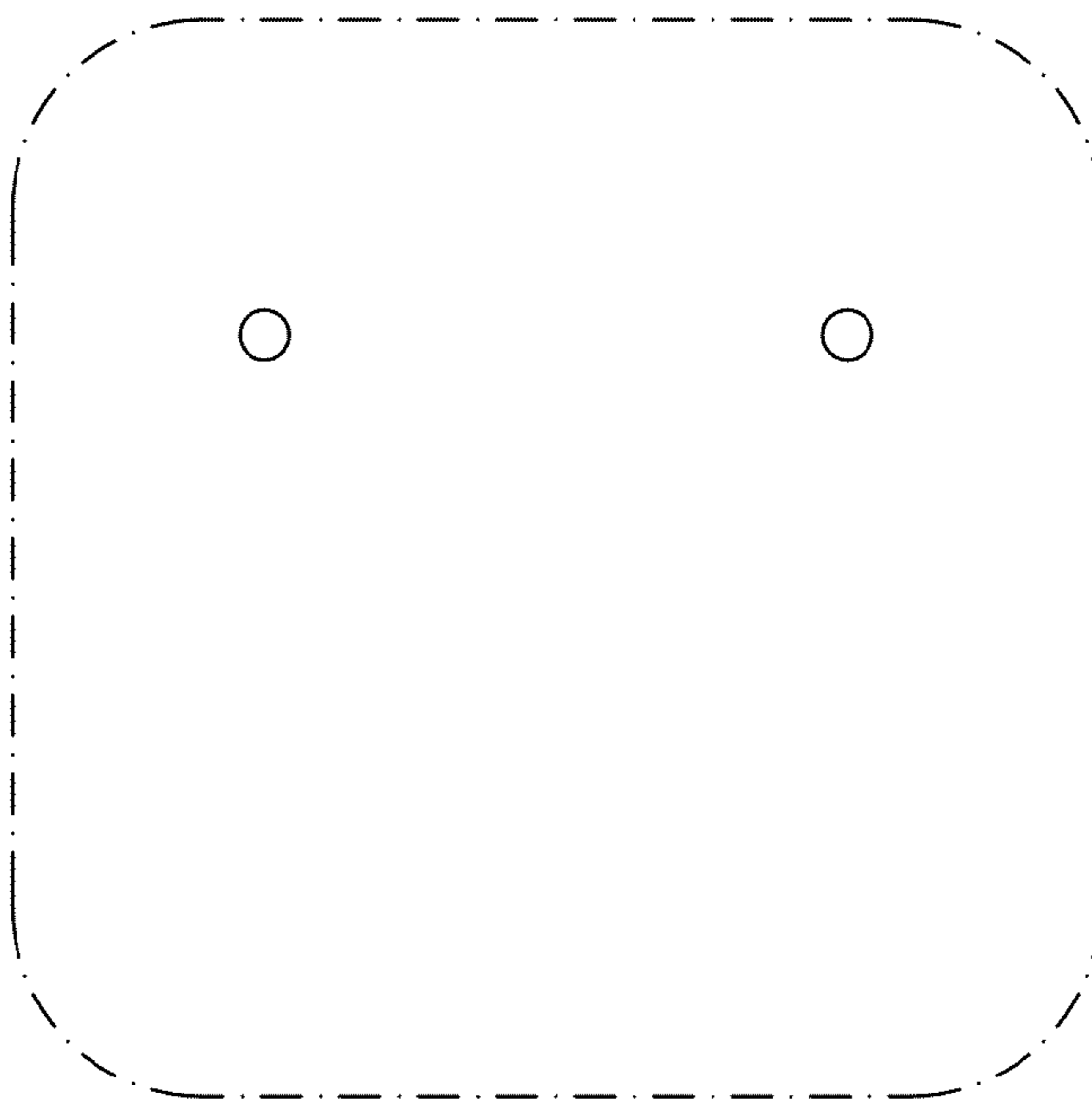


FIG. 4



FIG. 5

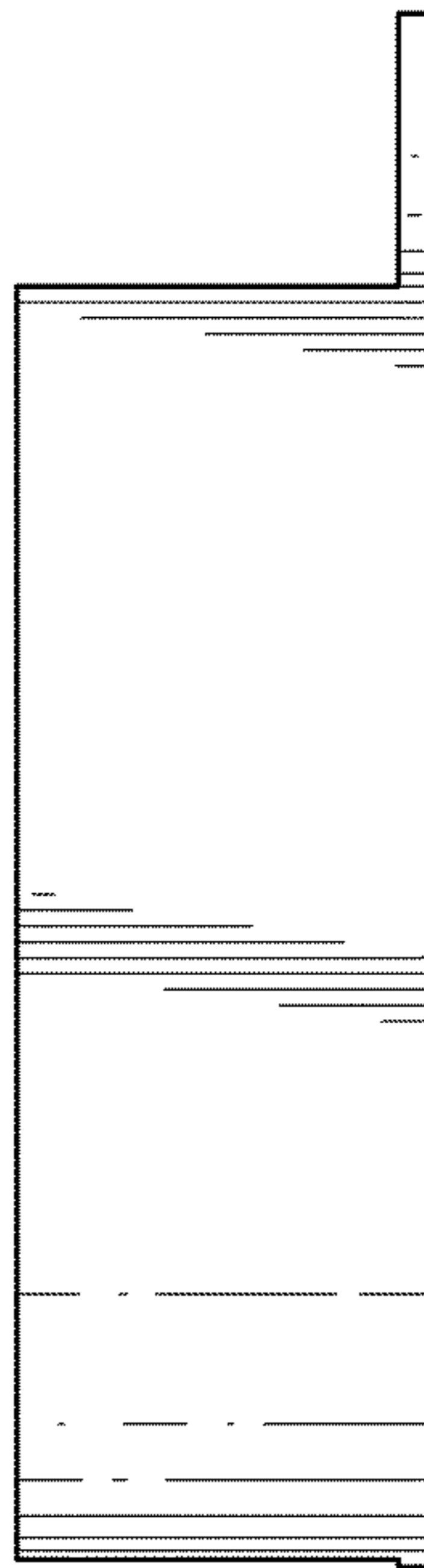


FIG. 6

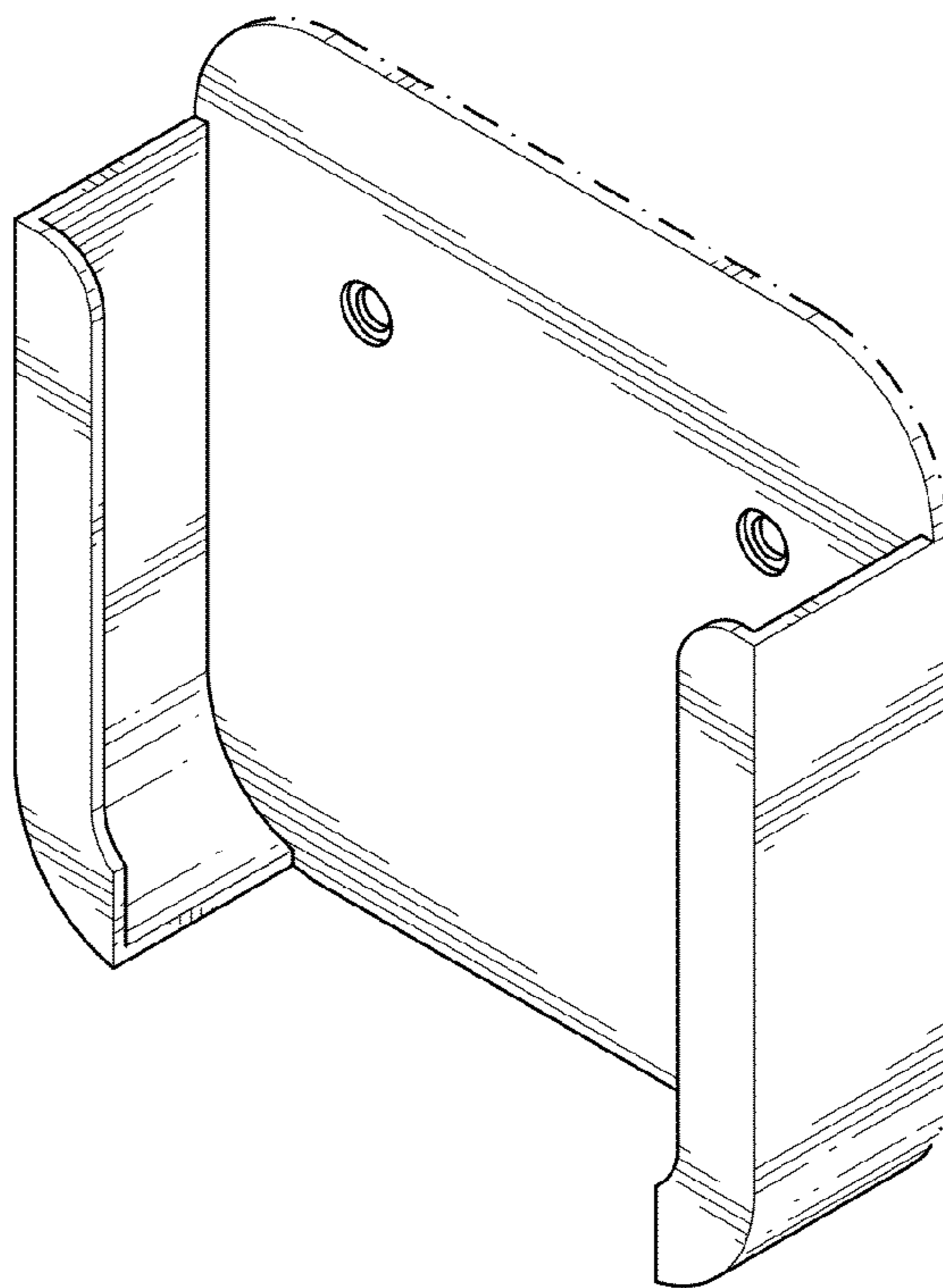


FIG. 7

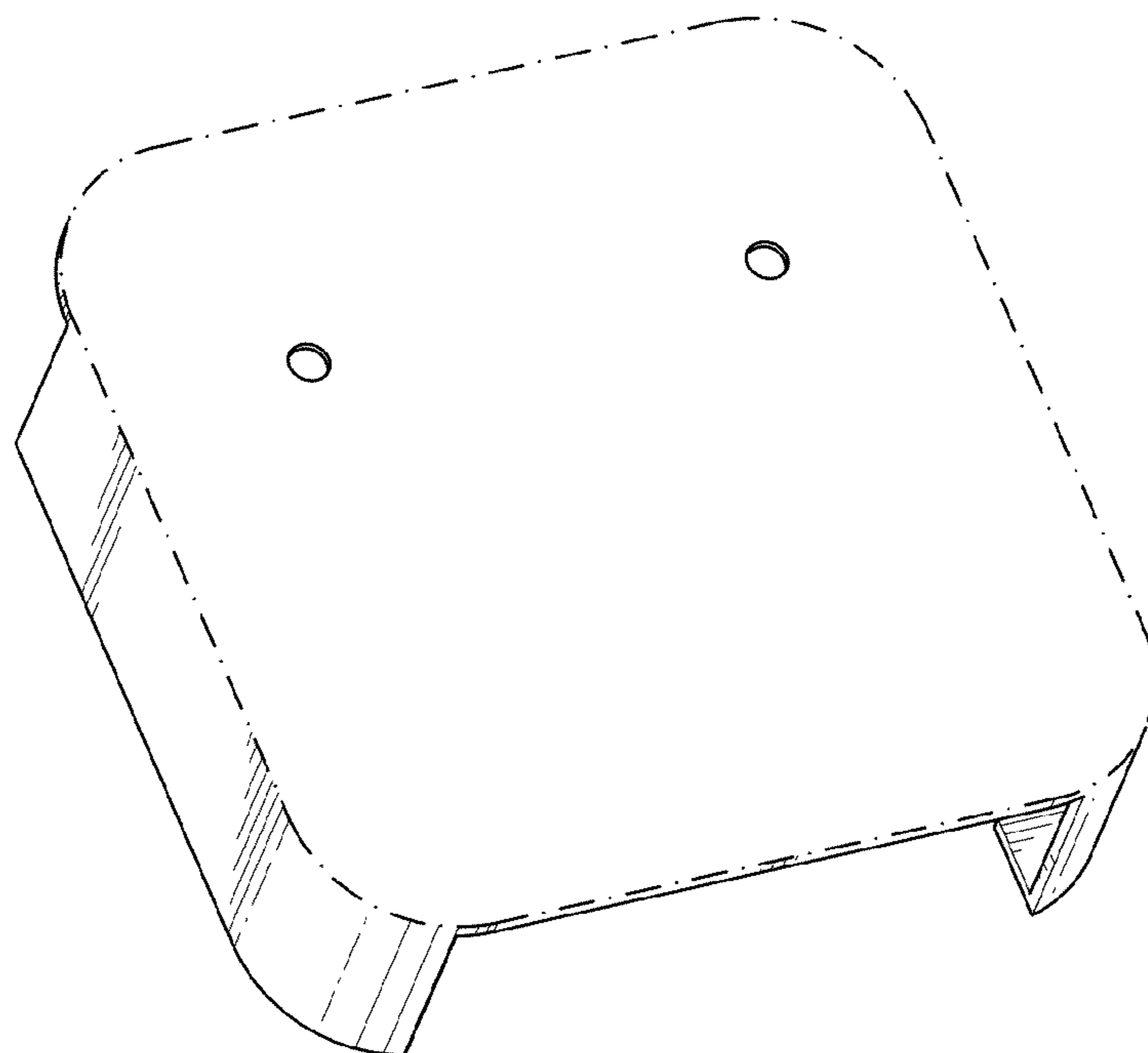


FIG. 8

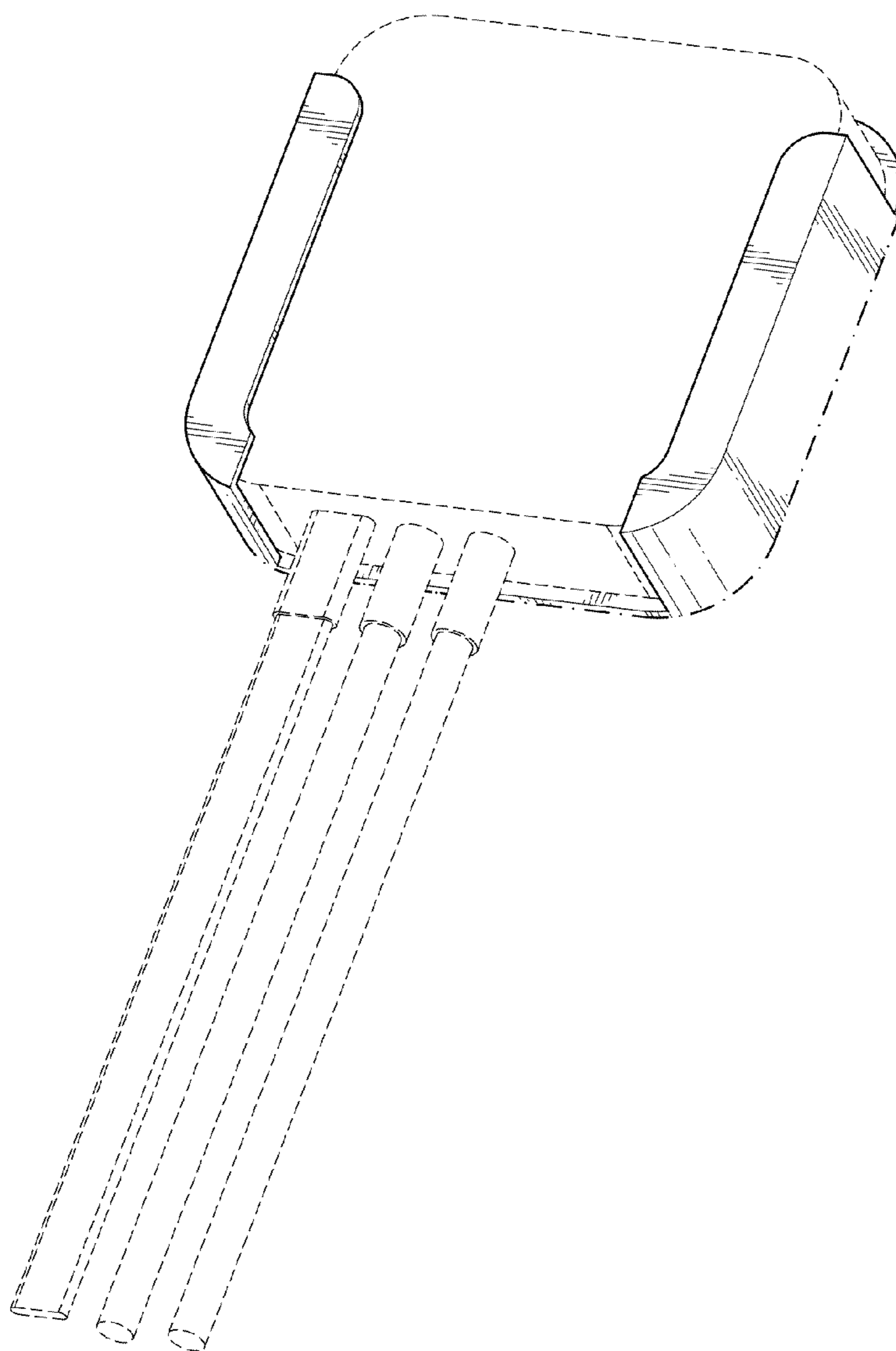


FIG. 9

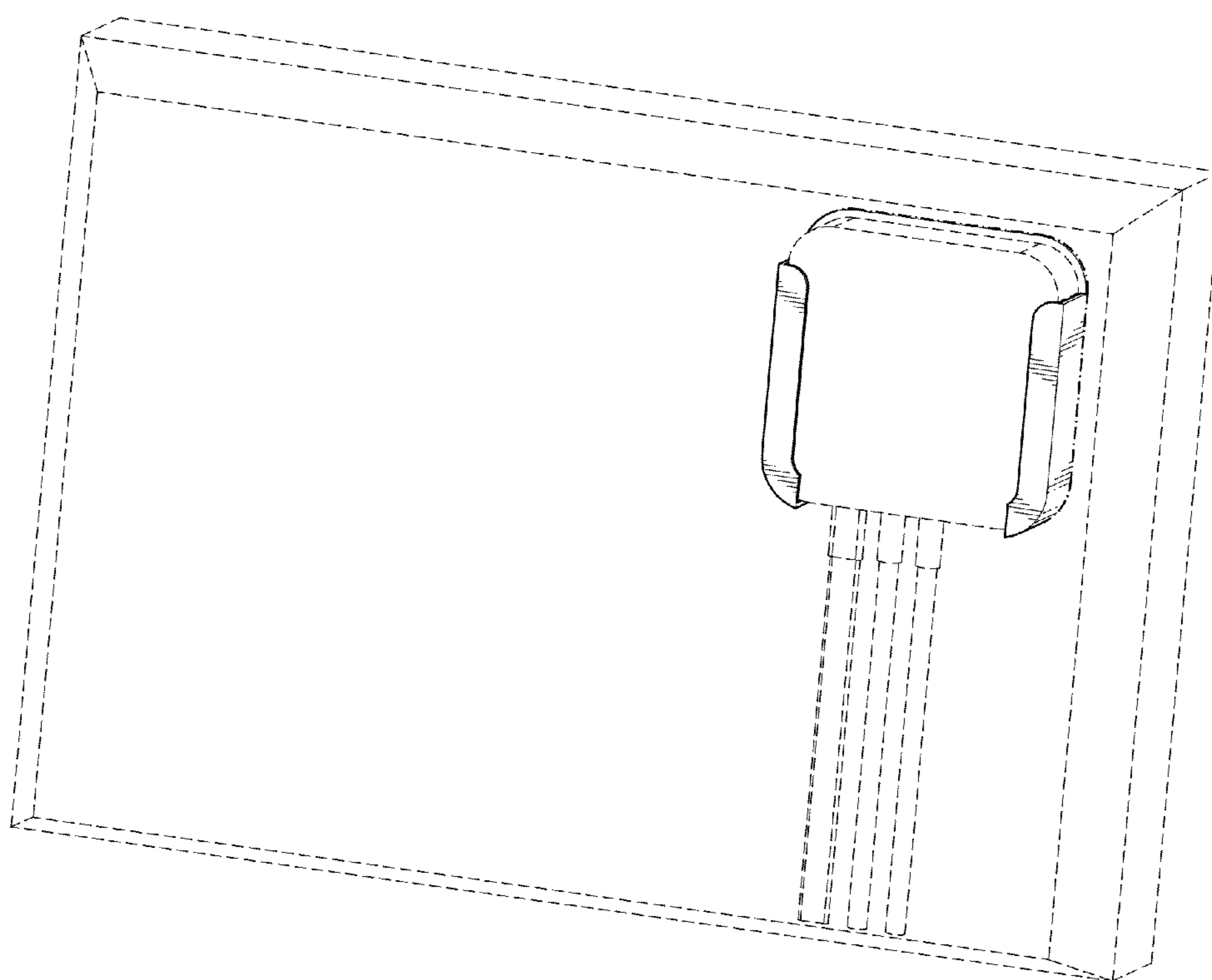


FIG. 10