



US00D710334S

(12) **United States Design Patent**
Yang

(10) **Patent No.:** **US D710,334 S**
(45) **Date of Patent:** **** Aug. 5, 2014**

(54) **EARPHONE**

(71) Applicant: **Bill Yang**, Taipei (TW)

(72) Inventor: **Bill Yang**, Taipei (TW)

(73) Assignee: **Cotron Corporation**, Taipei (TW)

(**) Term: **14 Years**

(21) Appl. No.: **29/460,154**

(22) Filed: **Jul. 9, 2013**

(51) **LOC (10) Cl.** **14-01**

(52) **U.S. Cl.**
USPC **D14/223**

(58) **Field of Classification Search**
CPC H04R 1/10
USPC D14/223, 205; 181/129, 130, 135;
379/430, 431; 381/380, 381, 328;
455/90.3, 575.1

See application file for complete search history.

(56) **References Cited**

U.S. PATENT DOCUMENTS

D431,553 S *	10/2000	Suzuki	D14/223
D485,548 S *	1/2004	Obata	D14/223
D487,077 S *	2/2004	Obata	D14/223
D567,217 S *	4/2008	Kamo et al.	D14/205
D572,703 S *	7/2008	Ledbetter et al.	D14/205

D587,681 S *	3/2009	Yanai	D14/205
D598,894 S *	8/2009	Masuda et al.	D14/205
D599,778 S *	9/2009	Ando	D14/205
D674,377 S *	1/2013	Schaefer	D14/223
8,391,536 B2 *	3/2013	Hashimoto	381/380
8,594,359 B2 *	11/2013	Takei	381/380
D702,668 S *	4/2014	Narita et al.	D14/223

* cited by examiner

Primary Examiner — Paula Greene

(74) *Attorney, Agent, or Firm* — Jianq Chyun IP Office

(57) **CLAIM**

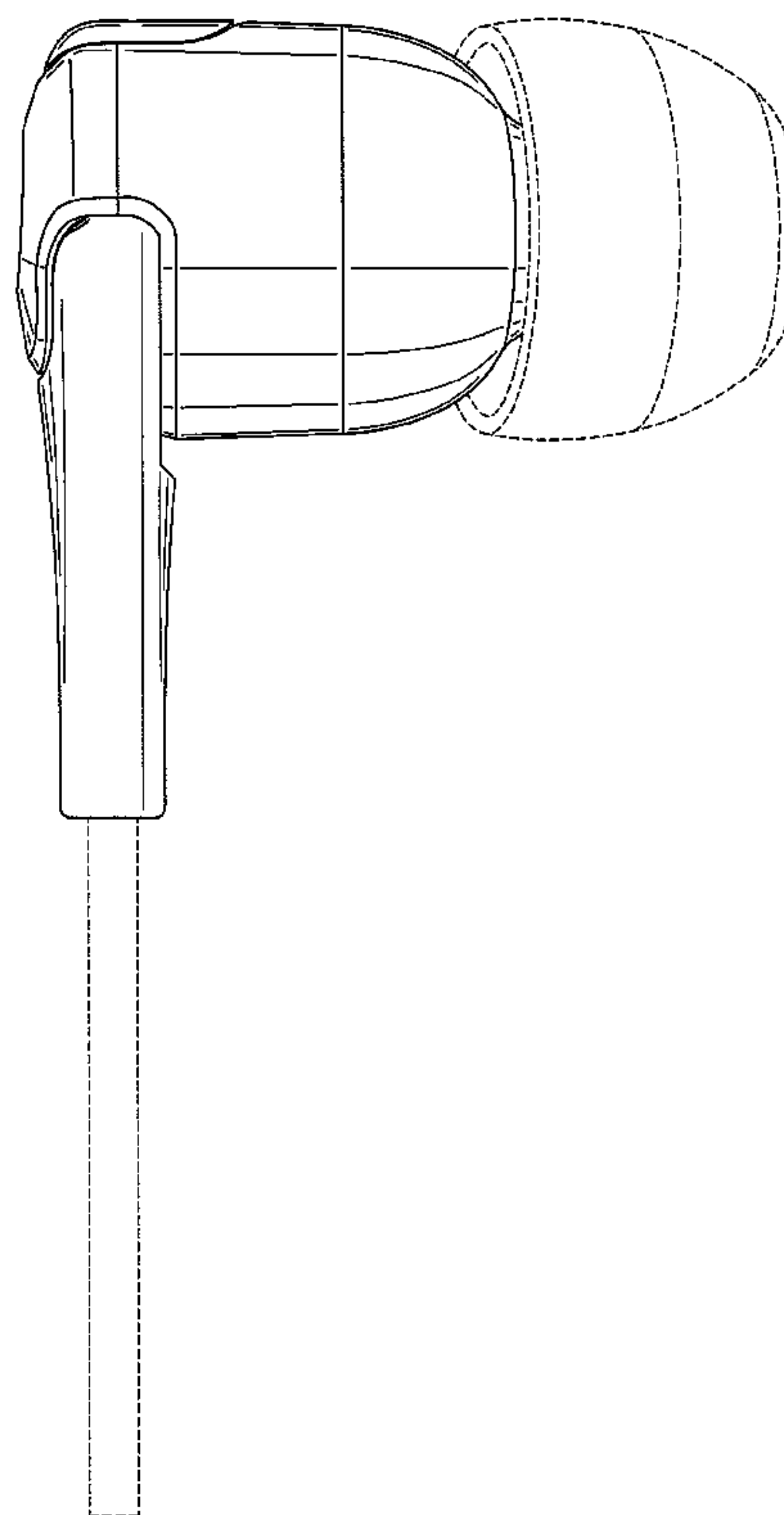
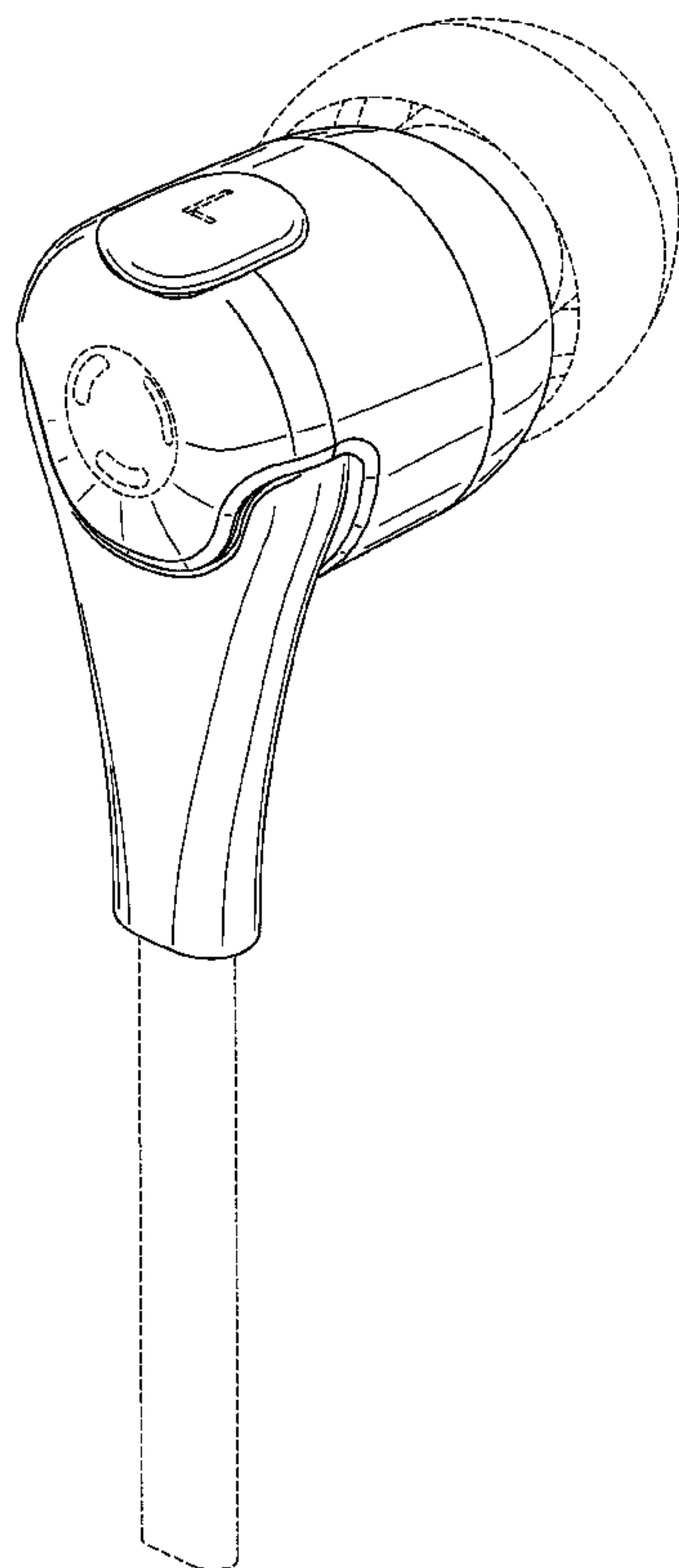
The ornamental design for an earphone, as shown and described.

DESCRIPTION

FIG. 1 is a perspective view of an earphone showing my new design;
FIG. 2 is another perspective view thereof;
FIG. 3 is a front view thereof;
FIG. 4 is a rear view thereof;
FIG. 5 is a left side view thereof;
FIG. 6 is a right side view thereof;
FIG. 7 is a top view thereof; and,
FIG. 8 is a bottom view thereof.

The broken line portions of the earphone in FIGS. 1-8 represent unclaimed portions of the claimed design and form no part thereof

1 Claim, 8 Drawing Sheets



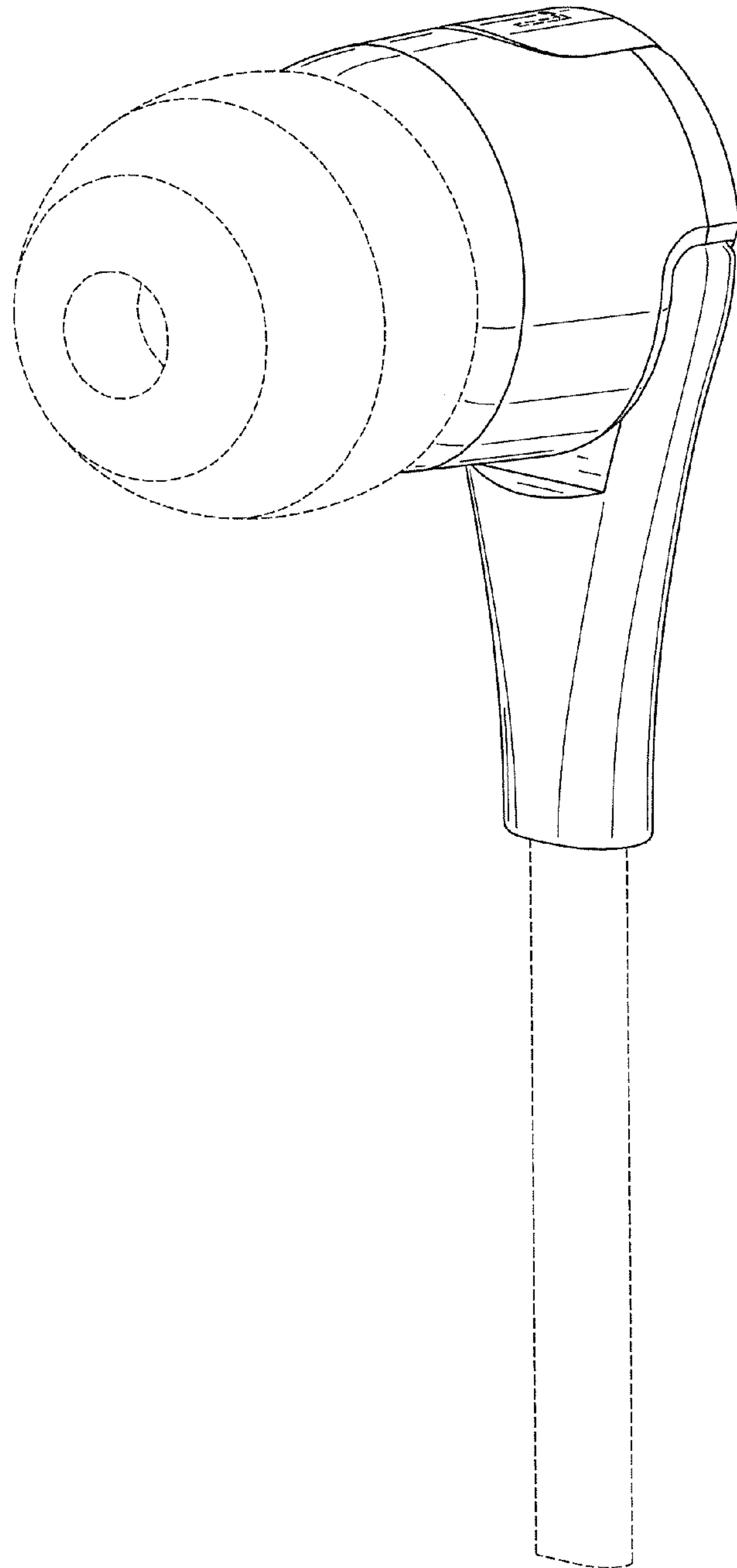


FIG. 1

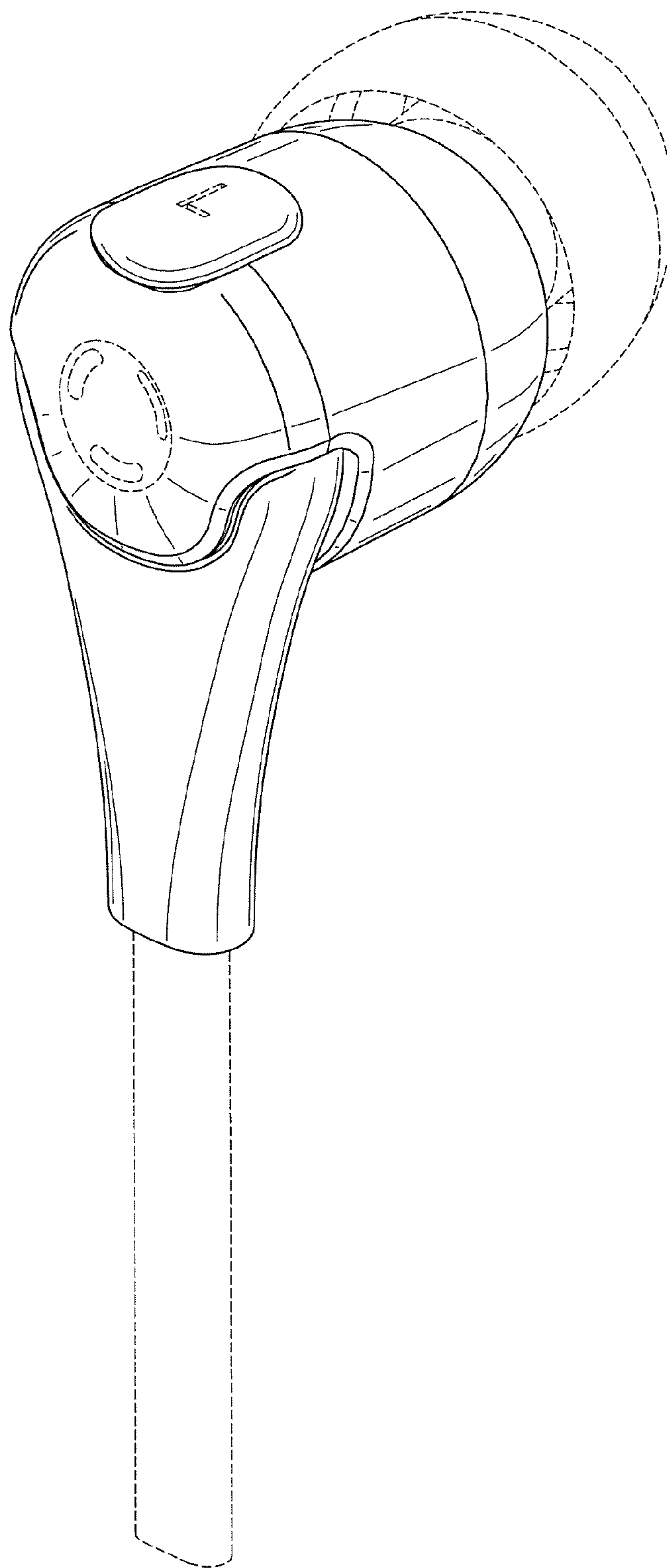


FIG. 2

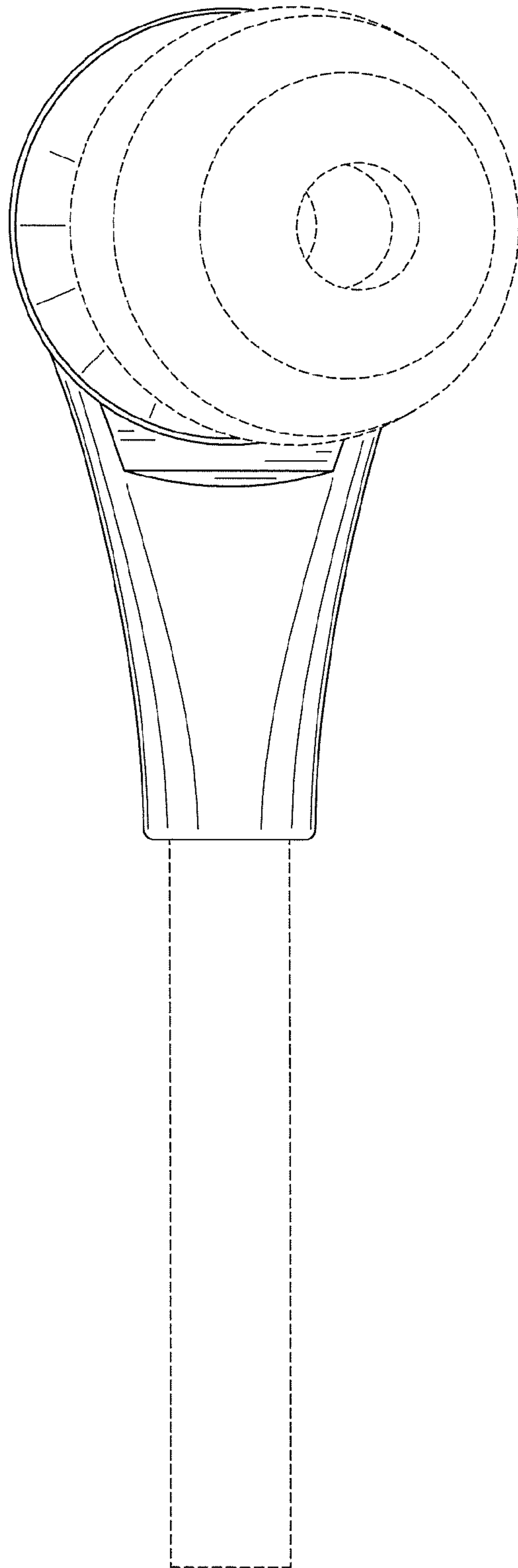


FIG. 3

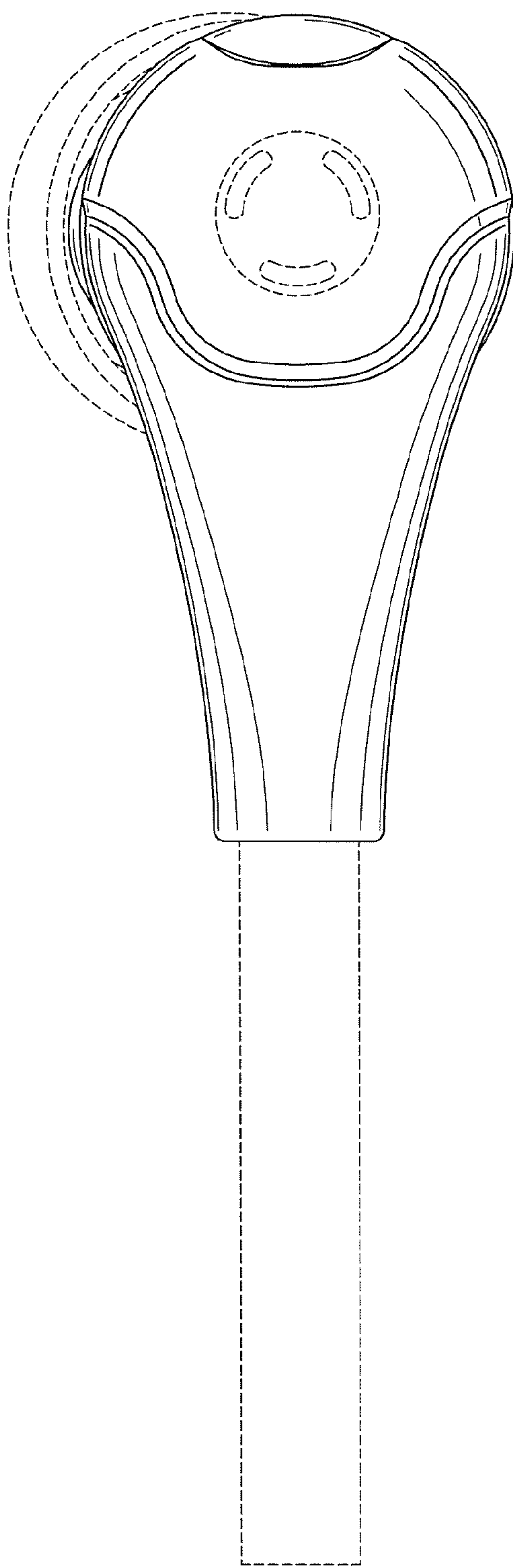


FIG. 4

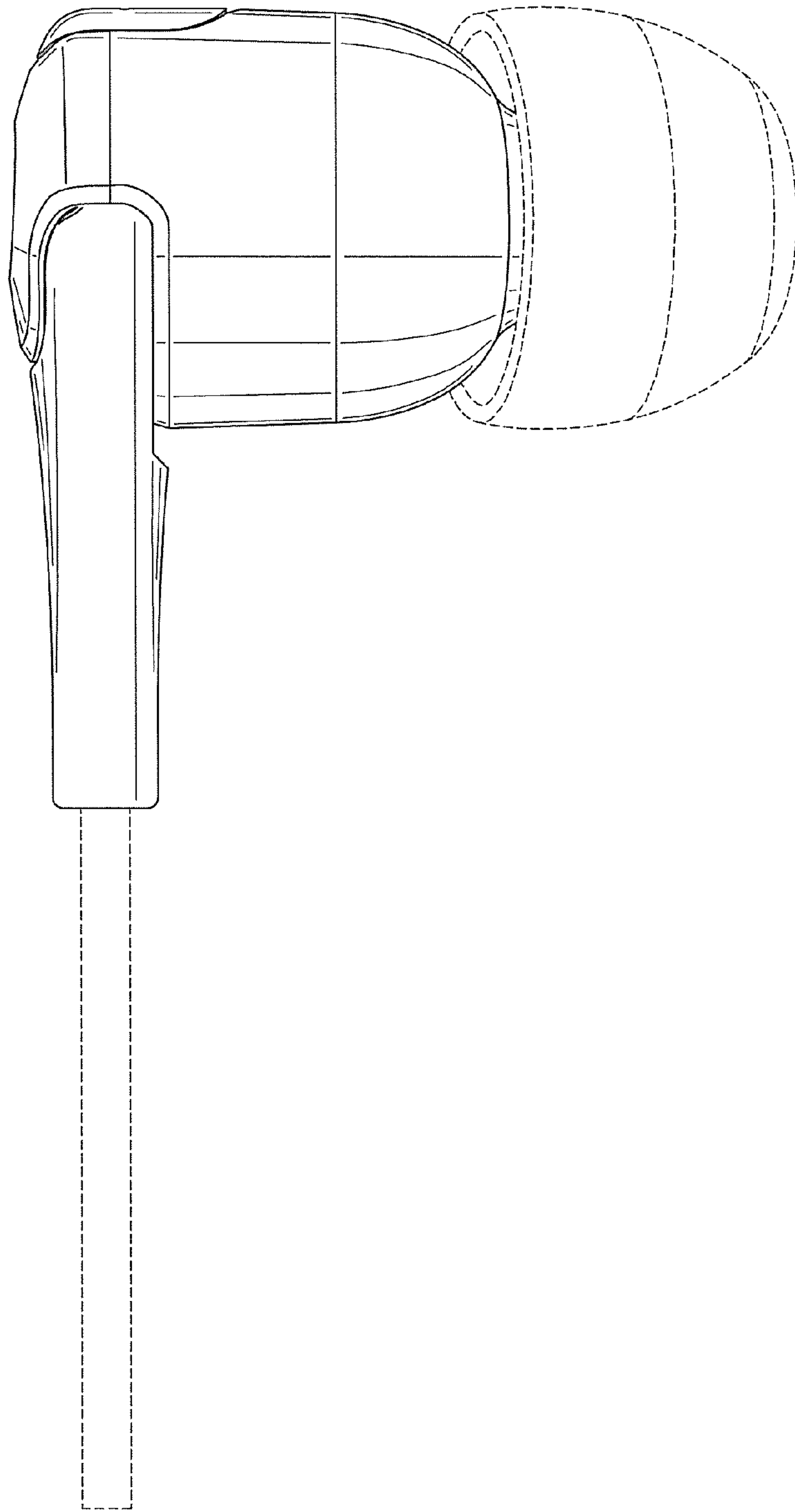


FIG. 5

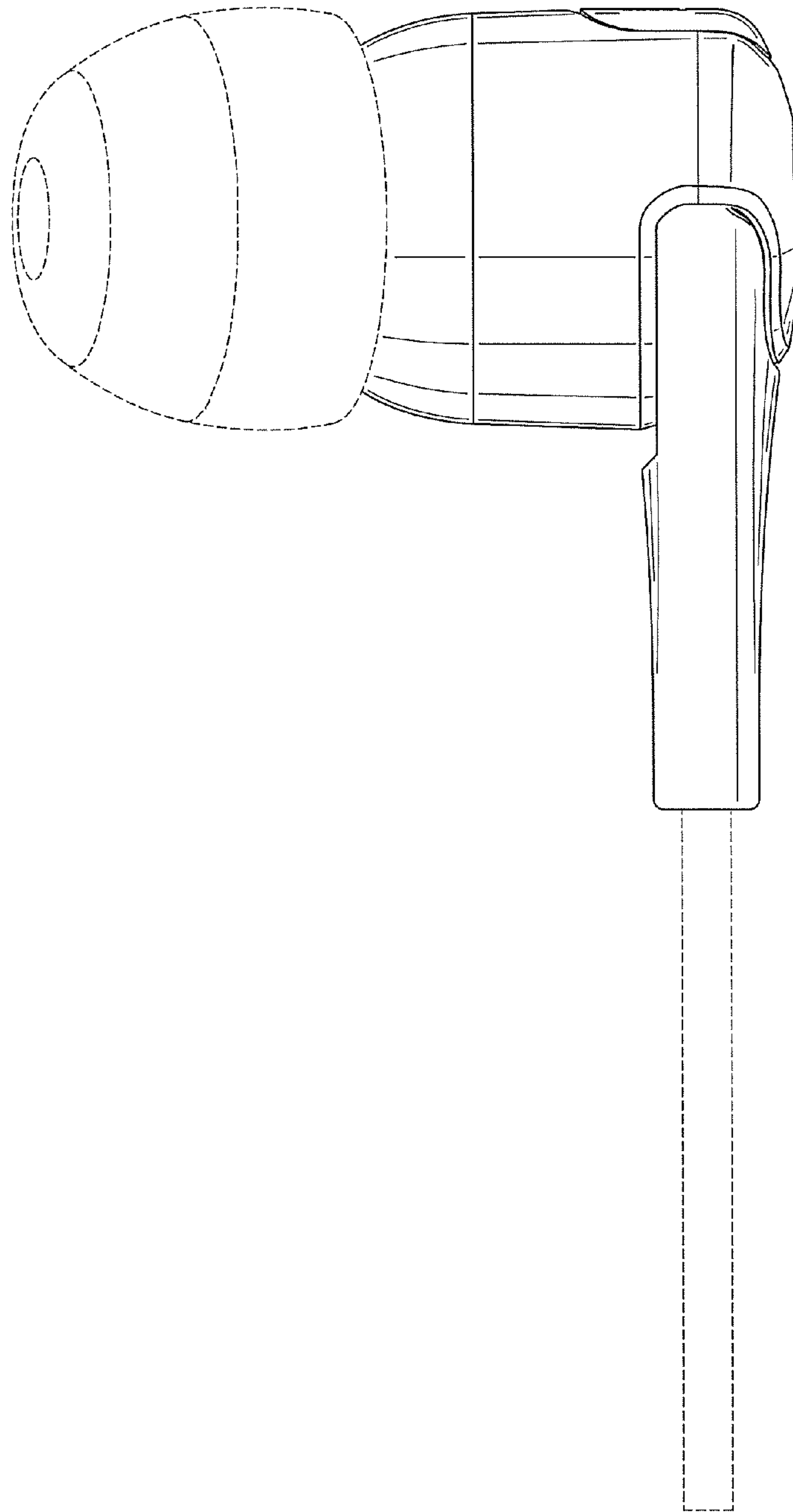


FIG. 6

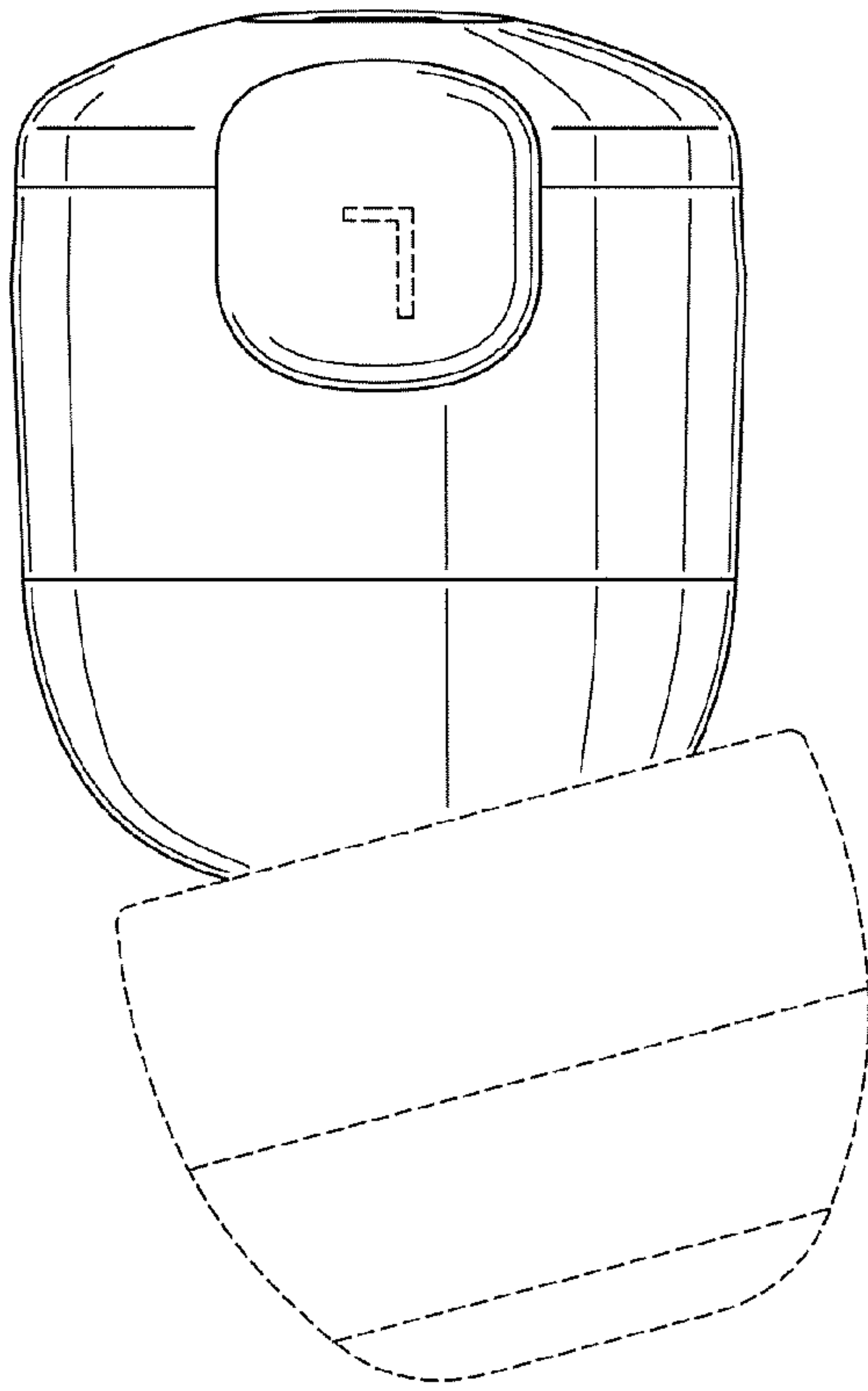


FIG. 7

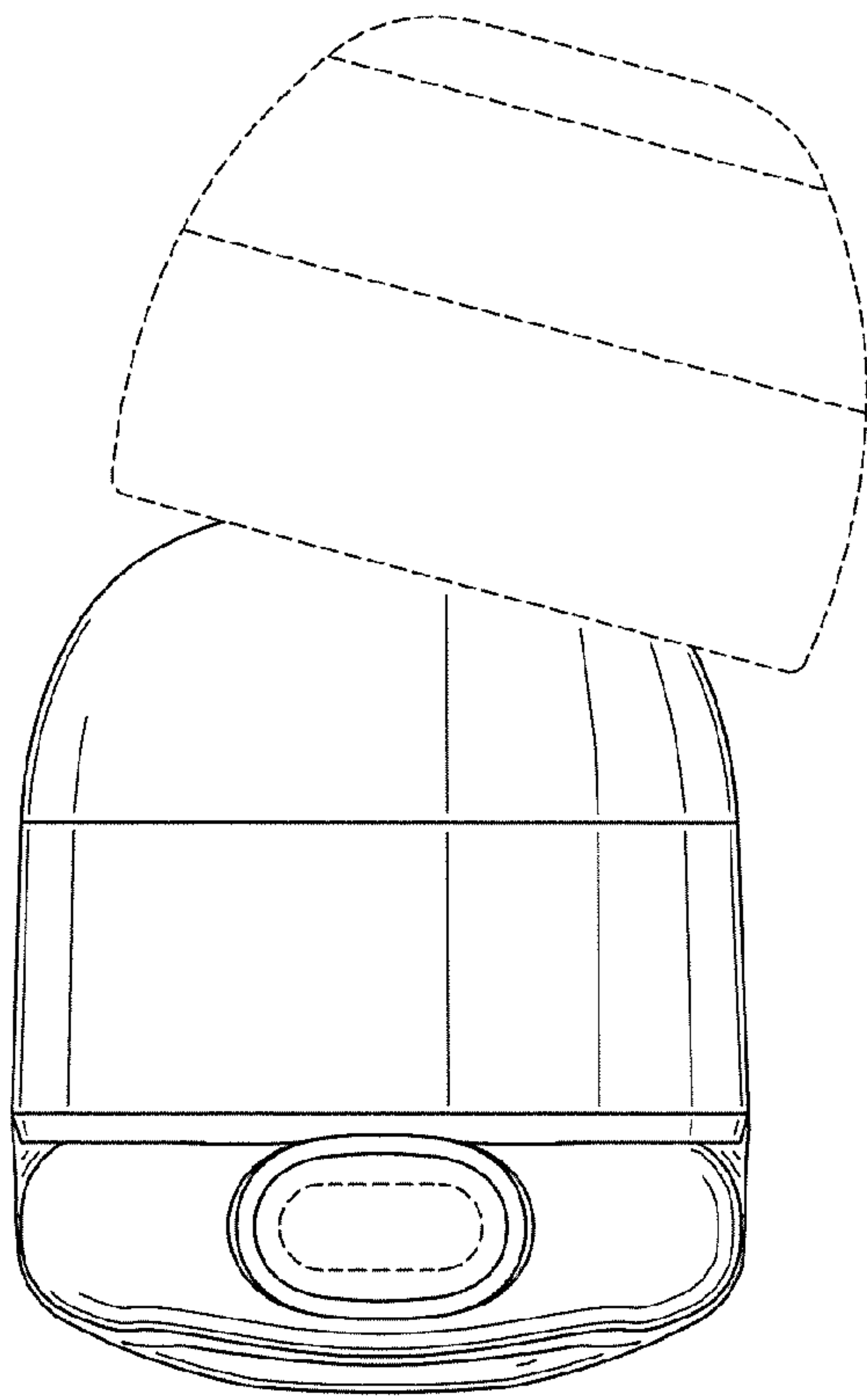


FIG. 8