



US00D710333S

(12) **United States Design Patent**
Davies et al.

(10) **Patent No.:** **US D710,333 S**

(45) **Date of Patent:** **** Aug. 5, 2014**

(54) **EARPIECE**

(71) Applicant: **GP Acoustics International Limited,**
Hong Kong (CN)

(72) Inventors: **Simon Davies,** Hong Kong (CN); **Jack Chang,** Hong Kong (CN)

(73) Assignee: **GP Acoustics International Limited,**
Kwai Chung, New Territories, Hong Kong (CN)

(**) Term: **14 Years**

(21) Appl. No.: **29/455,587**

(22) Filed: **May 22, 2013**

(30) **Foreign Application Priority Data**

Jan. 24, 2013 (HK) 1300132.4

(51) **LOC (10) Cl.** **14-01**

(52) **U.S. Cl.**
CPC **H04R 1/10** (2013.01)
USPC **D14/223**

(58) **Field of Classification Search**
CPC H04R 1/10
USPC D14/223, 205; 181/129, 130, 135;
379/430, 431; 381/380, 381, 370, 375,
381/371, 383; 455/90.3, 575.1
See application file for complete search history.

(56) **References Cited**

U.S. PATENT DOCUMENTS

2,474,135 A * 6/1949 White 381/381
2,641,327 A * 6/1953 Balmer 181/129

D179,150 S *	11/1956	Norris	D14/192
D180,695 S *	7/1957	Norris	D14/192
4,917,504 A *	4/1990	Scott et al.	381/381
D383,757 S *	9/1997	Dobruskin et al.	D14/223
D395,653 S *	6/1998	Read et al.	D14/142
D462,943 S *	9/2002	Lucaci et al.	D14/206
D470,129 S *	2/2003	Hlas et al.	D14/223
D482,022 S *	11/2003	Nakano	D14/223
D508,911 S *	8/2005	Sanders	D14/223
D510,575 S *	10/2005	Leong	D14/223
D515,069 S *	2/2006	Naito	D14/205
D543,968 S *	6/2007	Wong	D14/205
D601,126 S *	9/2009	Christopher et al.	D14/206
D617,780 S *	6/2010	Jaakkola et al.	D14/223
D629,397 S *	12/2010	Hensen	D14/223
2003/0044038 A1 *	3/2003	Shirata	381/381
2010/0239114 A1 *	9/2010	Wada	381/380
2012/0134524 A1 *	5/2012	Peng	381/380

* cited by examiner

Primary Examiner — Paula Greene

(74) *Attorney, Agent, or Firm* — Alix, Yale & Ristas, LLP

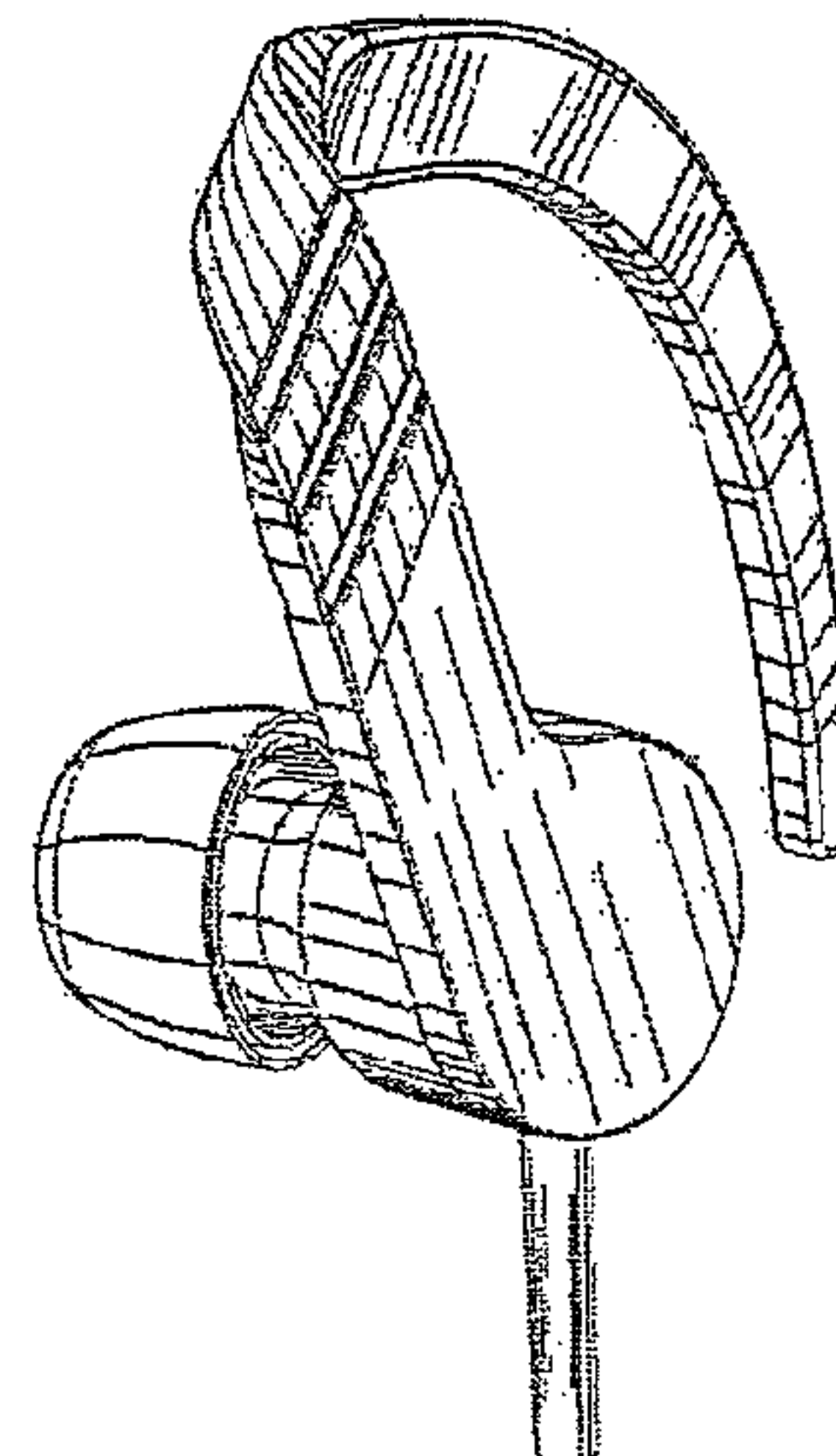
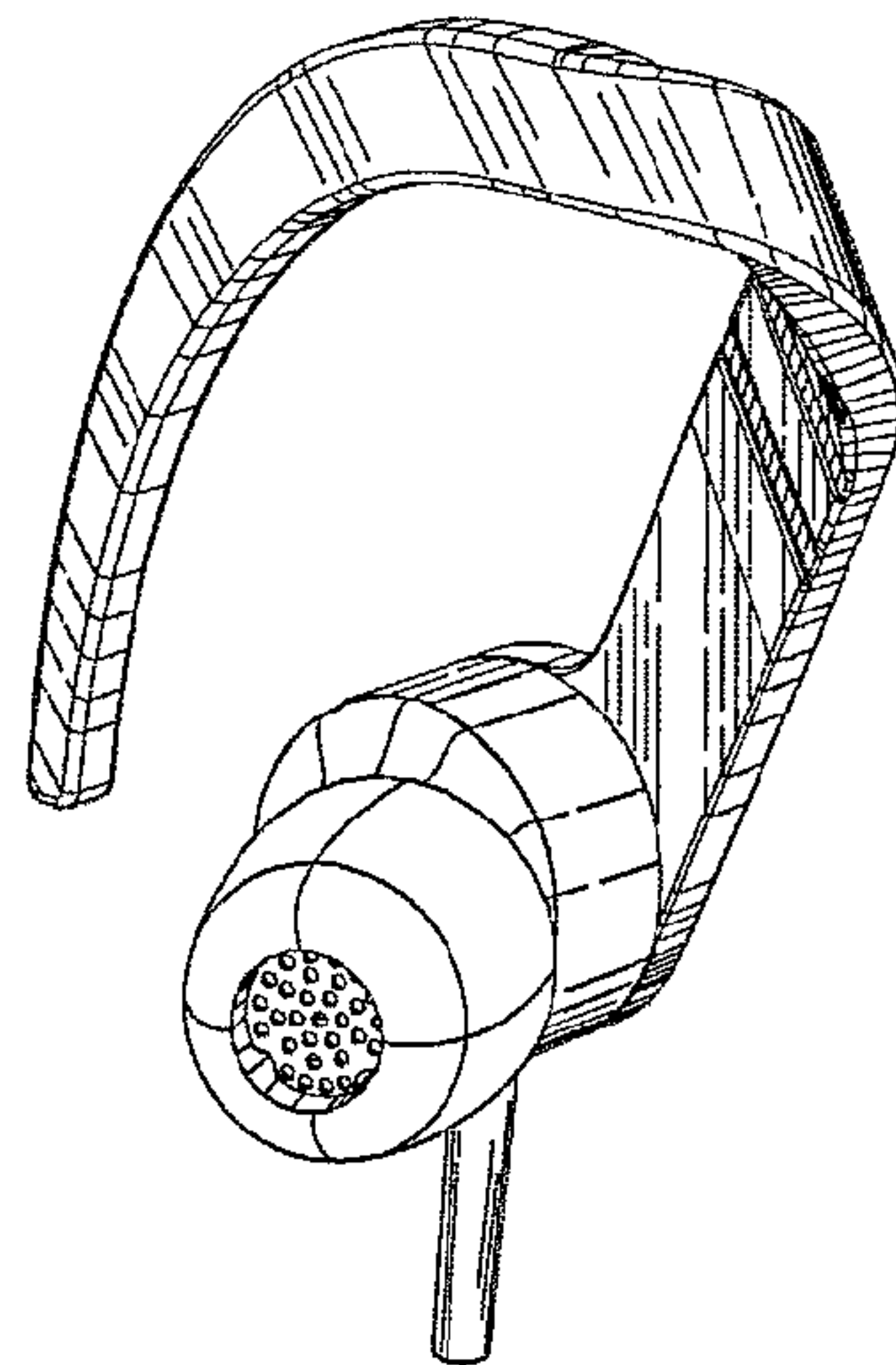
(57) **CLAIM**

The ornamental design for an earpiece, as shown and described.

DESCRIPTION

FIG. 1 is a front elevational view of a earpiece showing my new design;
FIG. 2 is a rear elevational view thereof;
FIG. 3 is a left side elevational view thereof;
FIG. 4 is a right side elevational view thereof;
FIG. 5 is a top plan view thereof;
FIG. 6 is a bottom plan view thereof;
FIG. 7 is a rear perspective view thereof; and,
FIG. 8 is a front perspective view thereof.

1 Claim, 4 Drawing Sheets



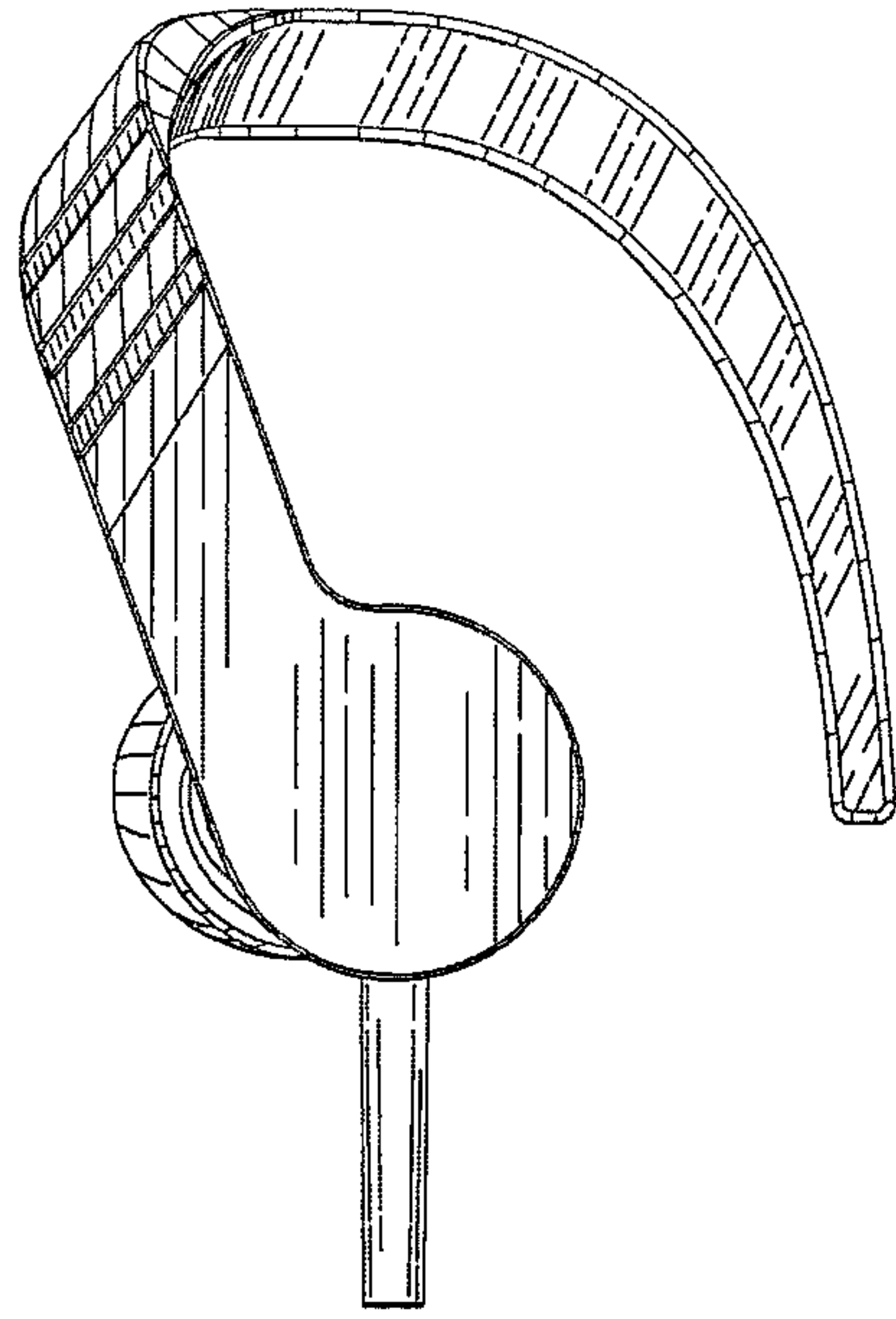


Figure 1

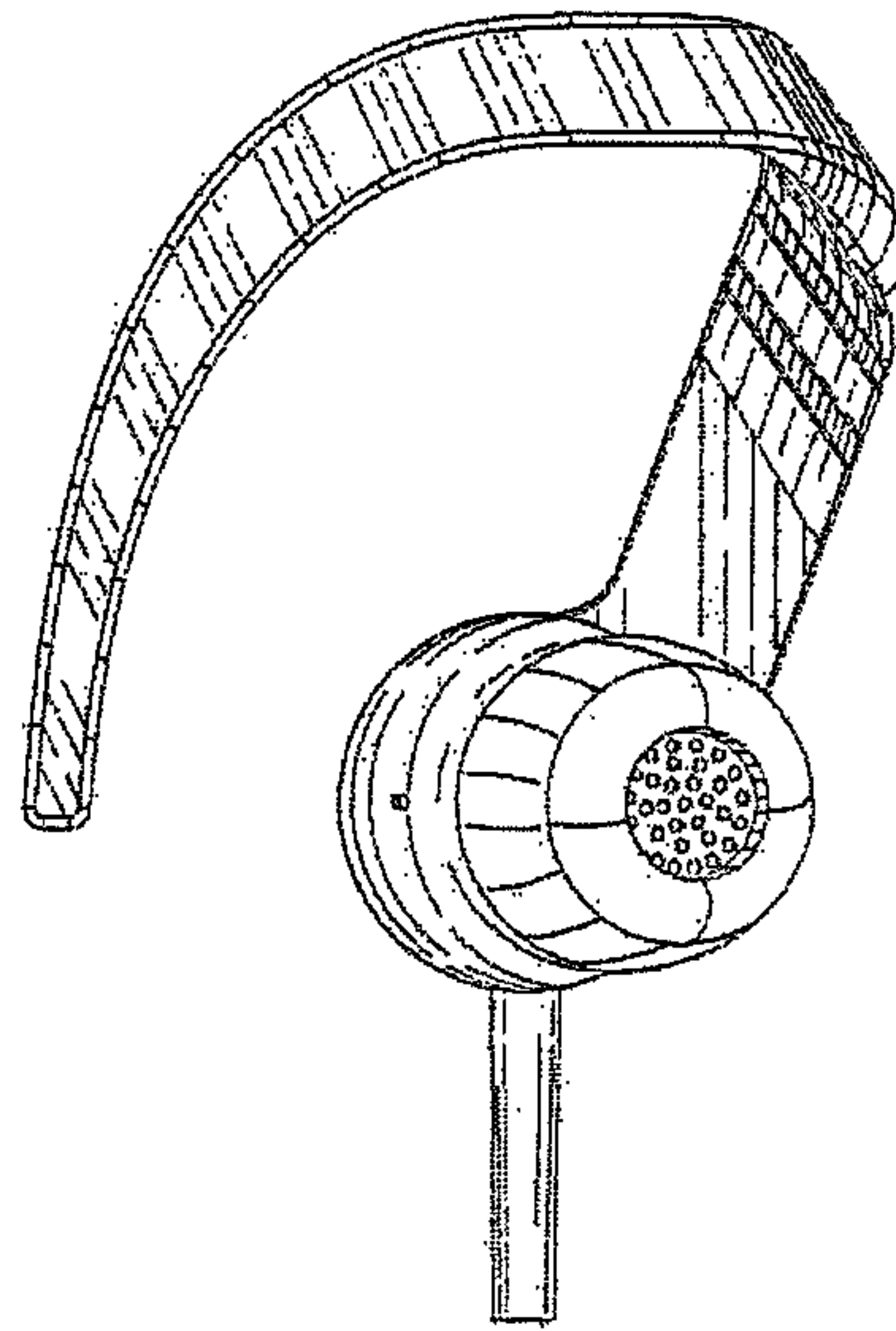


Figure 2

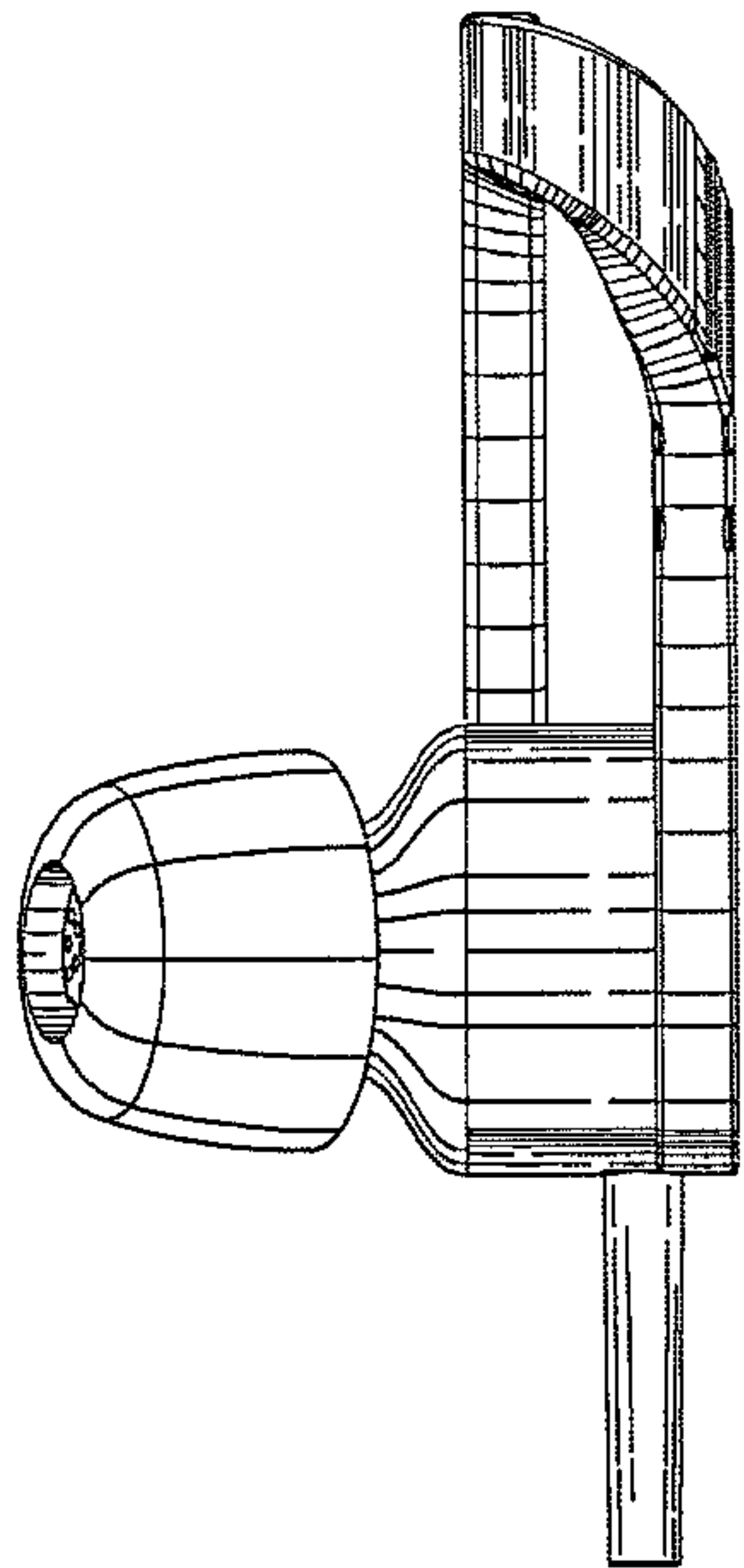


Figure 3

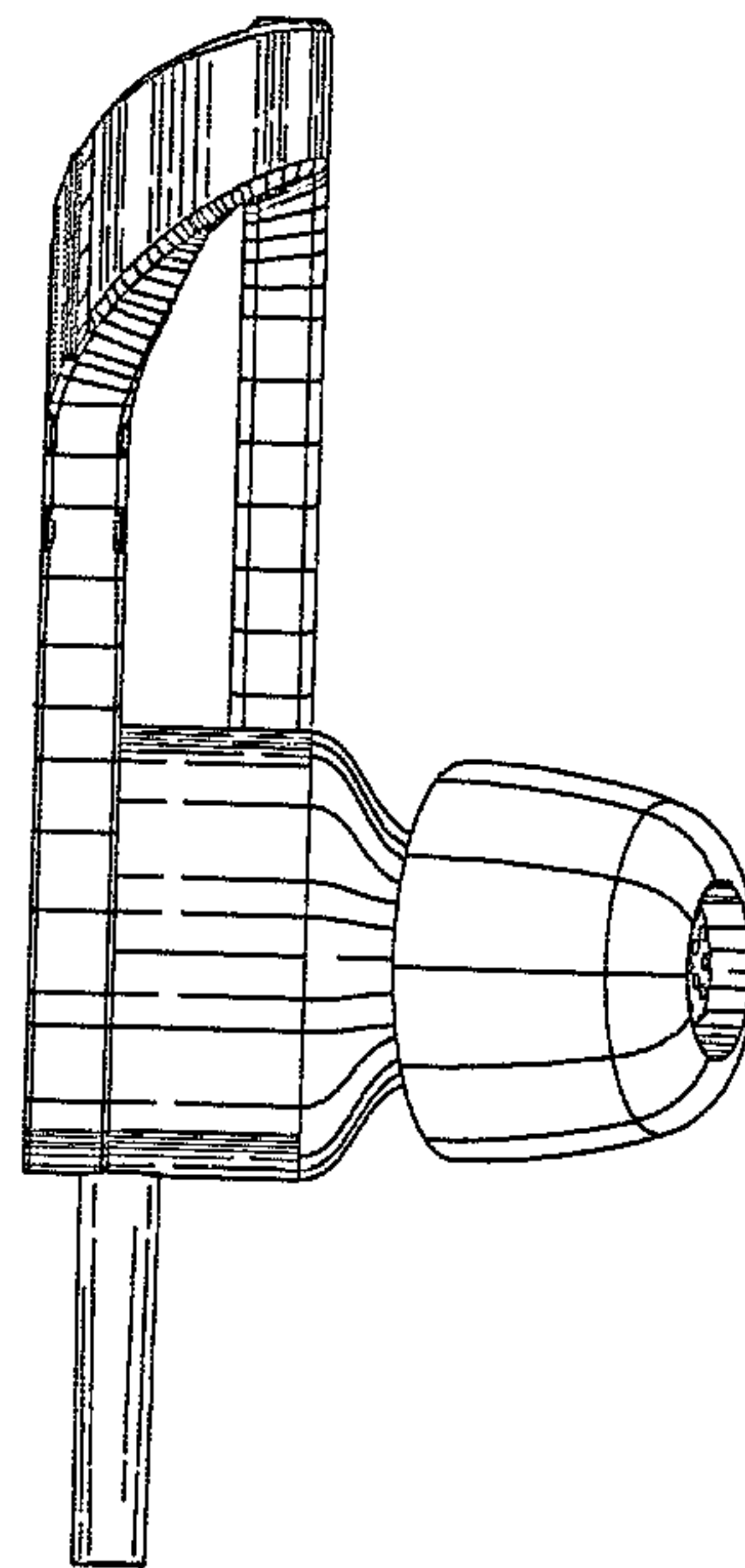


Figure 4

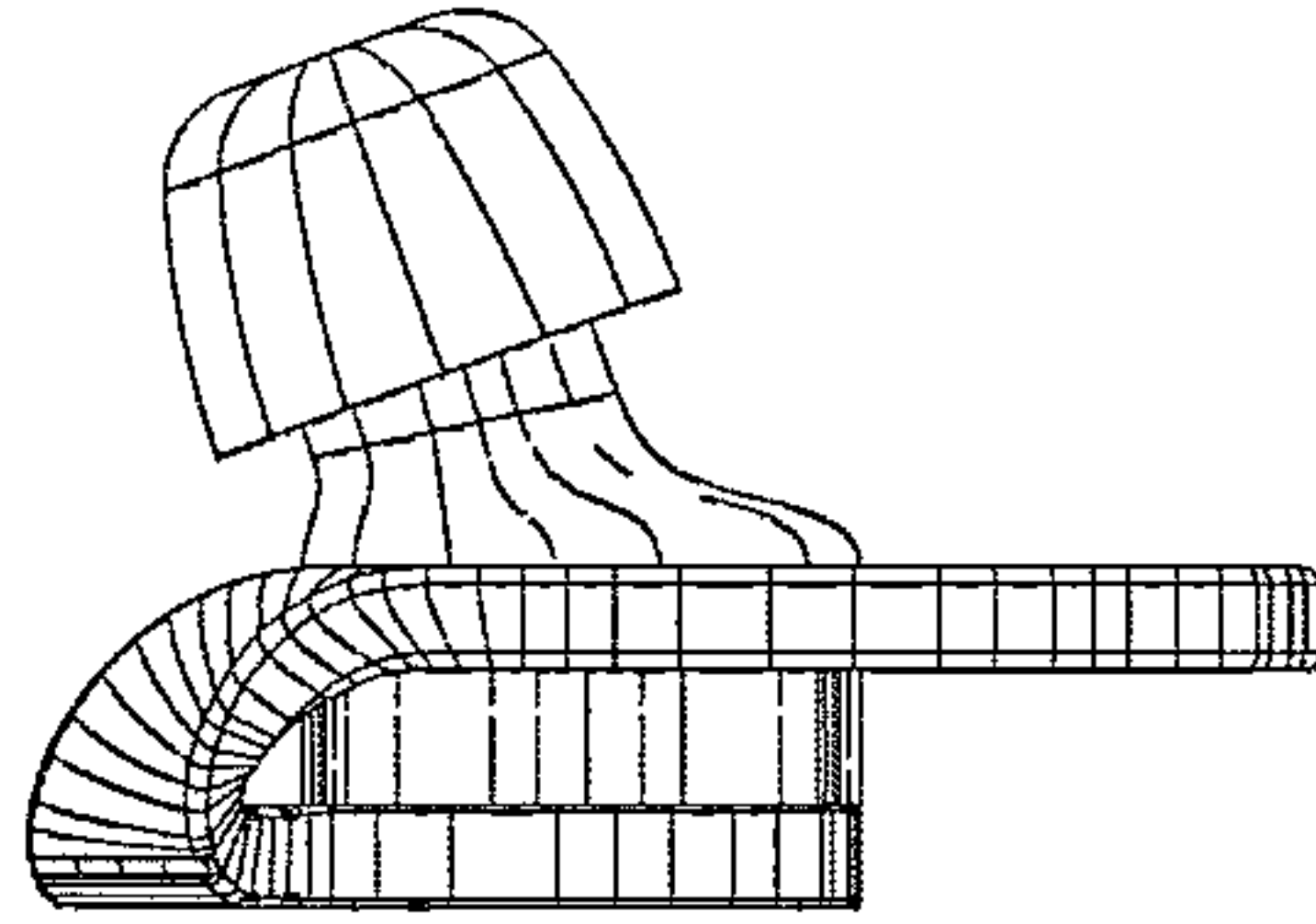


Figure 5

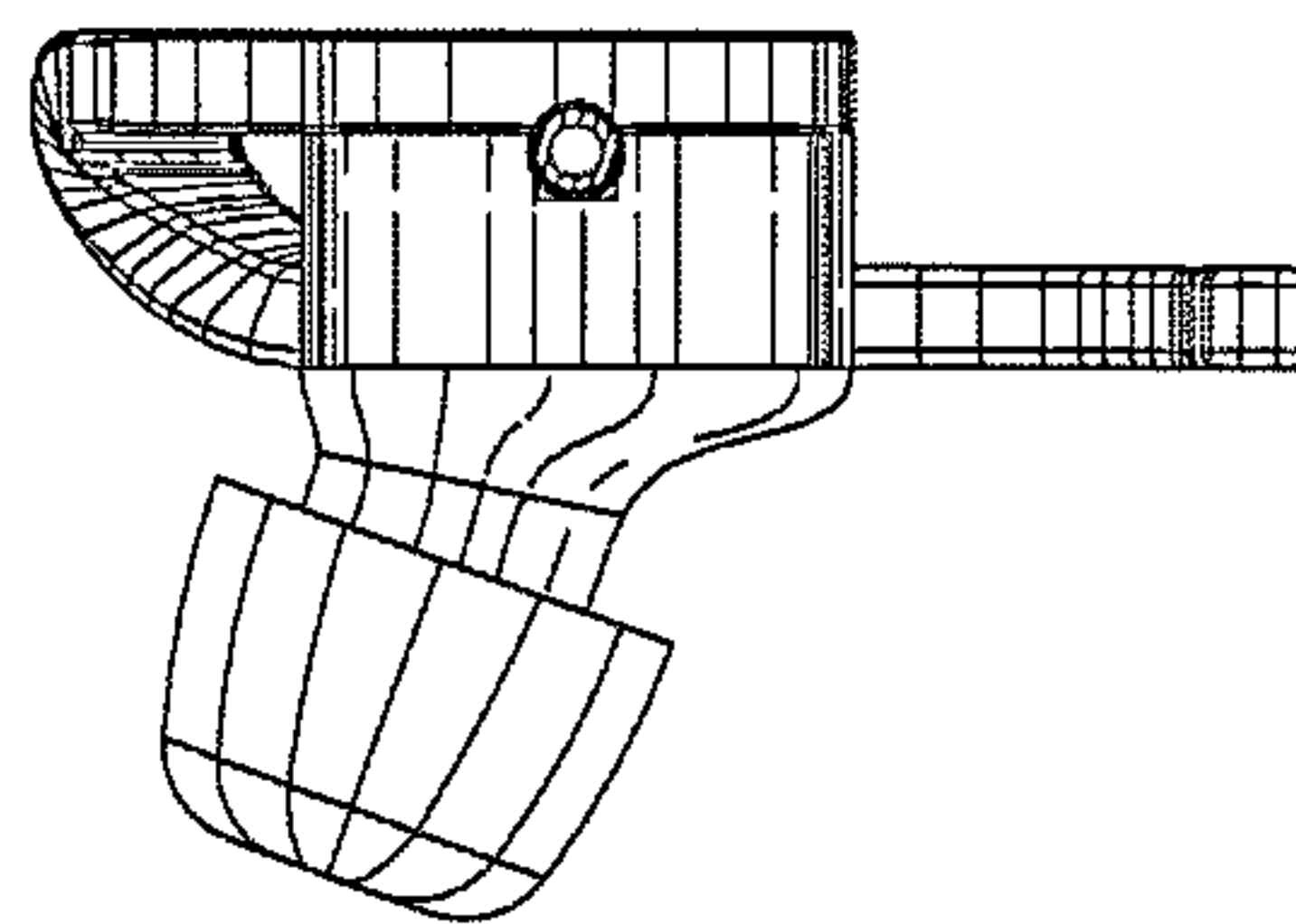


Figure 6

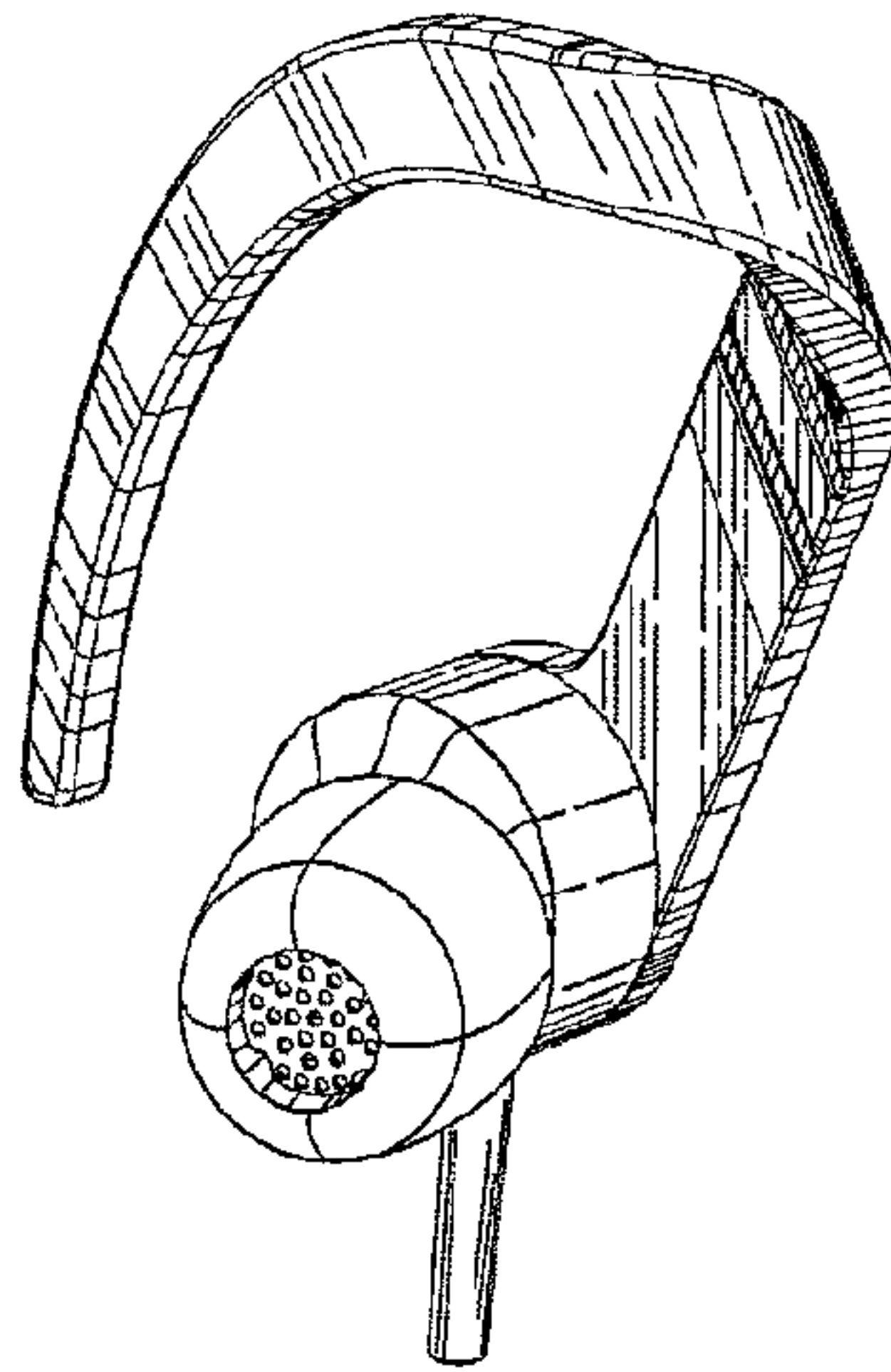


Figure 7

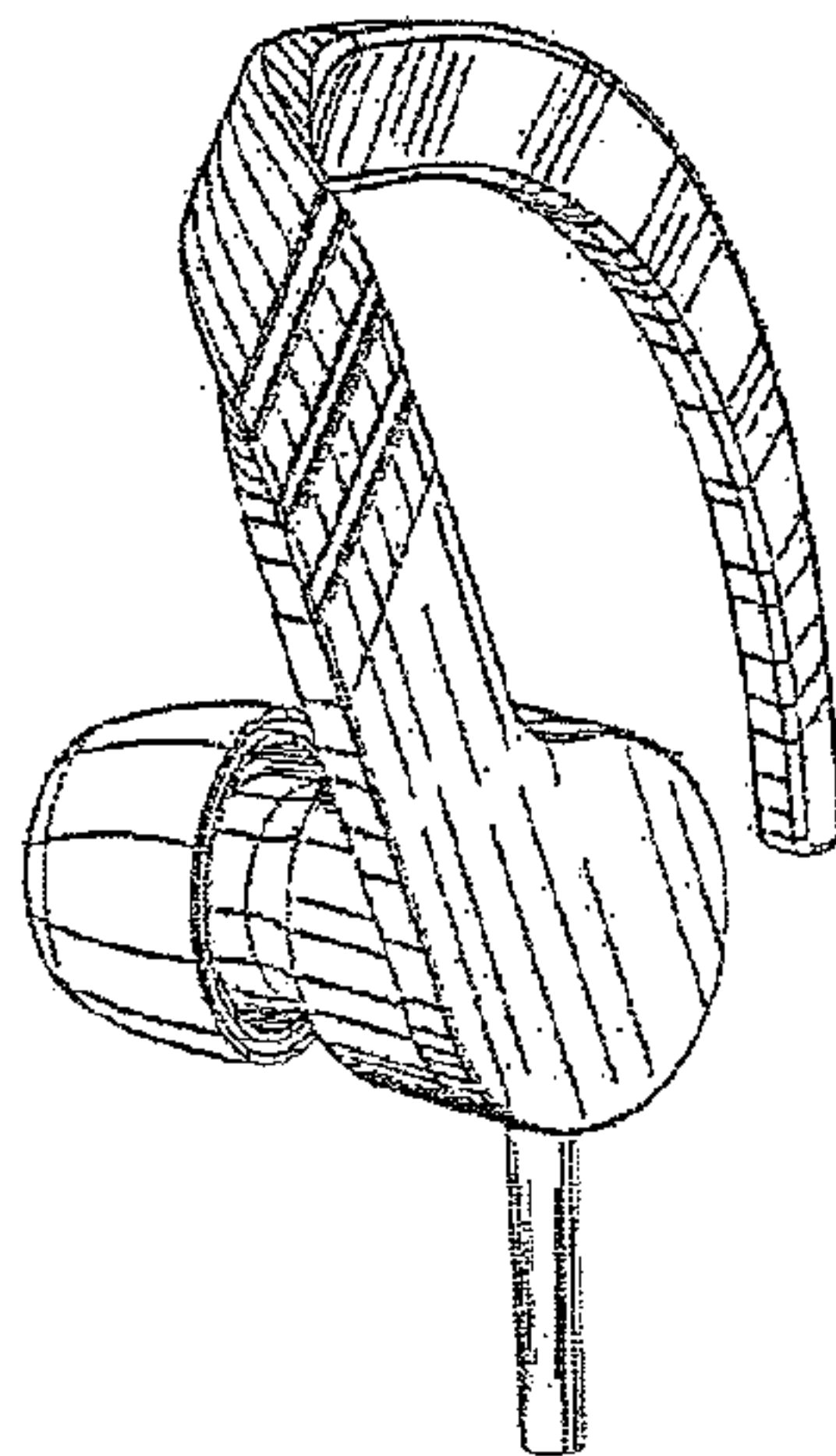


Figure 8