



US00D710325S

(12) **United States Design Patent**
Behar et al.

(10) **Patent No.:** **US D710,325 S**

(45) **Date of Patent:** **** Aug. 5, 2014**

(54) **HEADSET**

(71) Applicant: **AliphCom**, San Francisco, CA (US)

(72) Inventors: **Yves Albert Behar**, San Francisco, CA (US); **Naoya Edihiro**, San Francisco, CA (US); **Qin Li**, San Francisco, CA (US); **William Hardy Chambliss**, San Francisco, CA (US)

(73) Assignee: **AliphCom**, San Francisco, CA (US)

(**) Term: **14 Years**

(21) Appl. No.: **29/459,899**

(22) Filed: **Jul. 3, 2013**

(51) **LOC (10) Cl.** **14-01**

(52) **U.S. Cl.**

CPC **H04R 5/033** (2013.01)

USPC **D14/205**

(58) **Field of Classification Search**

CPC H04R 5/033

USPC D14/205, 223; 181/129, 130, 135;

379/430, 431; 381/380, 381, 379, 383;

455/90.3, 575.1

See application file for complete search history.

(56) **References Cited**

U.S. PATENT DOCUMENTS

4,571,746	A *	2/1986	Gorike	2/209
D399,206	S *	10/1998	Yasutomi et al.	D14/205
D404,035	S *	1/1999	Delazzer	D14/206
6,195,441	B1 *	2/2001	Ito	381/381
D439,574	S *	3/2001	Katayama	D14/203.5
D453,015	S *	1/2002	Yuyama	D14/205
6,385,325	B1 *	5/2002	Nageno et al.	381/374
D463,396	S *	9/2002	Beraut et al.	D14/205
D477,820	S *	7/2003	Suzuki et al.	D14/205
6,792,122	B1 *	9/2004	Okada et al.	381/151

D505,411	S *	5/2005	Sakai	D14/192
D525,235	S *	7/2006	Koizumi	D14/205
7,072,483	B2 *	7/2006	Lenhard-Backhaus	381/383
D544,464	S *	6/2007	Lee	D14/205
D557,684	S *	12/2007	Pundsack et al.	D14/205
D585,870	S *	2/2009	Zheng et al.	D14/205
D591,263	S *	4/2009	Shimizu	D14/205
D592,640	S *	5/2009	Tkachuk	D14/205

(Continued)

Primary Examiner — Paula Greene

(74) *Attorney, Agent, or Firm* — Kilpatrick Townsend & Stockton LLP

(57) **CLAIM**

The ornamental design for a headset, as shown and described.

DESCRIPTION

FIG. 1 is a perspective view of a headset showing our new design;

FIG. 2 is a rear elevational view thereof, shown in an open position;

FIG. 3 is a front elevational view thereof, shown in an open position;

FIG. 4 is a top plan view thereof, shown in an open position;

FIG. 5 is a bottom plan view thereof, shown in an open position;

FIG. 6 is a right side elevational view thereof, shown in an open position;

FIG. 7 is a left side elevational view thereof, shown in an open position;

FIG. 8 is a bottom plan thereof, shown in a closed position;

FIG. 9 is a top plan view thereof, shown in a closed position;

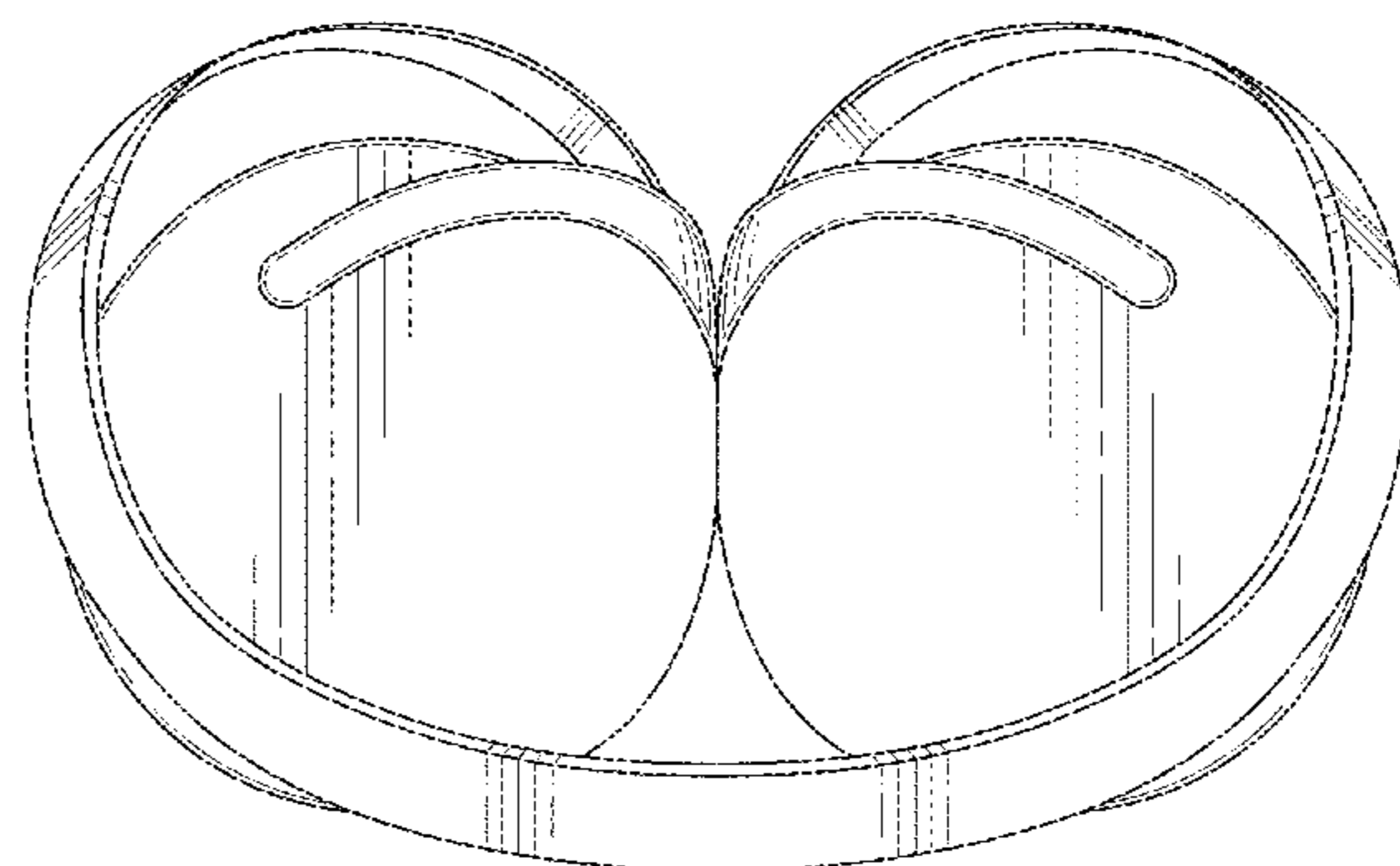
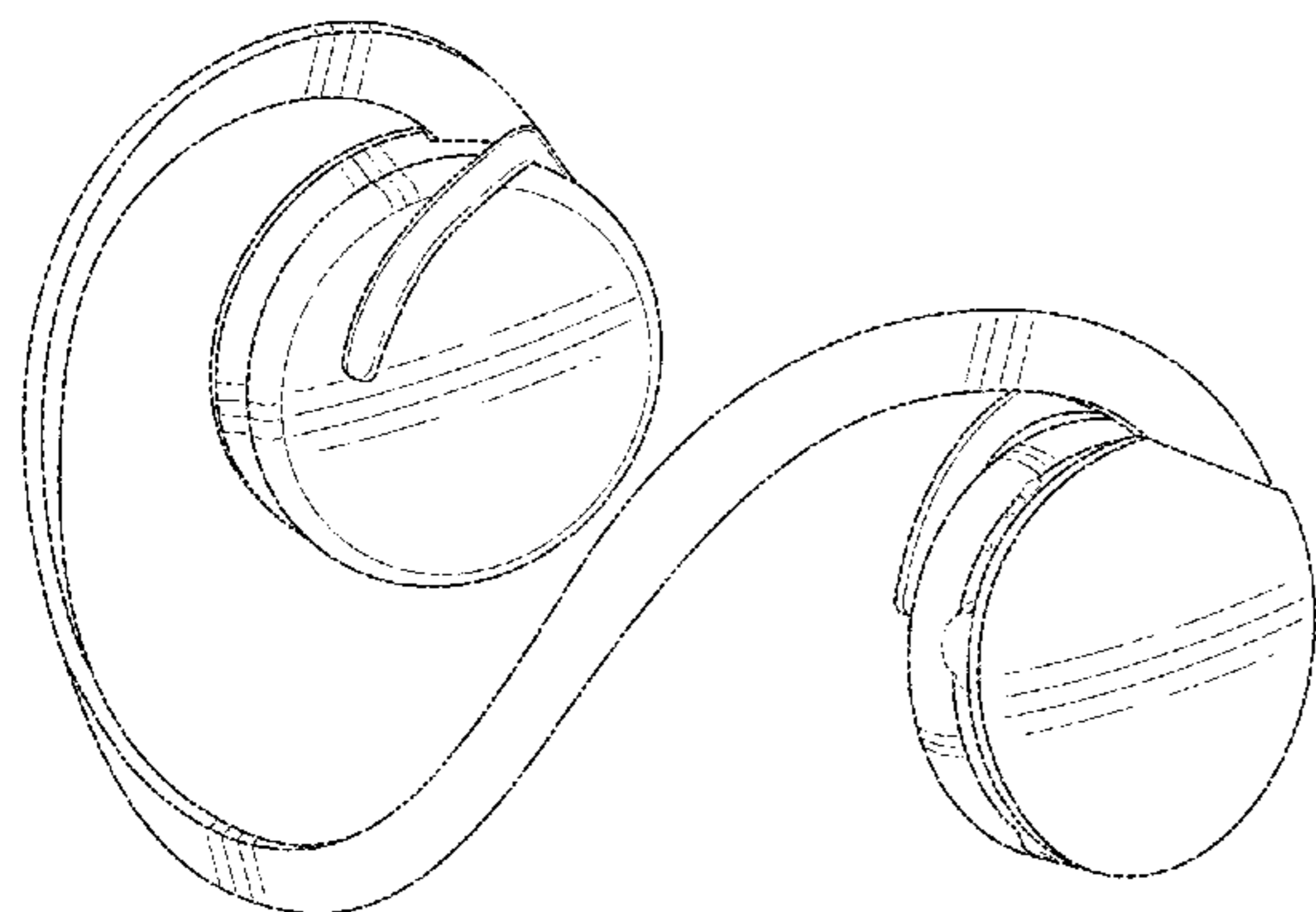
FIG. 10 is rear elevational view, shown in a closed position;

and,

FIG. 11 is front elevational view, shown in a closed position.

The broken line showing on the drawing disclosure is for illustrative purposes only and forms no part of the claimed design.

1 Claim, 11 Drawing Sheets



(56)

References Cited

* cited by examiner

U.S. PATENT DOCUMENTS

D625,705	S	*	10/2010	Ohori et al.	D14/205
D658,156	S	*	4/2012	Olodort et al.	D14/205
2007/0165899	A1	*	7/2007	Garin	381/377
2008/0037816	A1	*	2/2008	Lee et al.	381/379

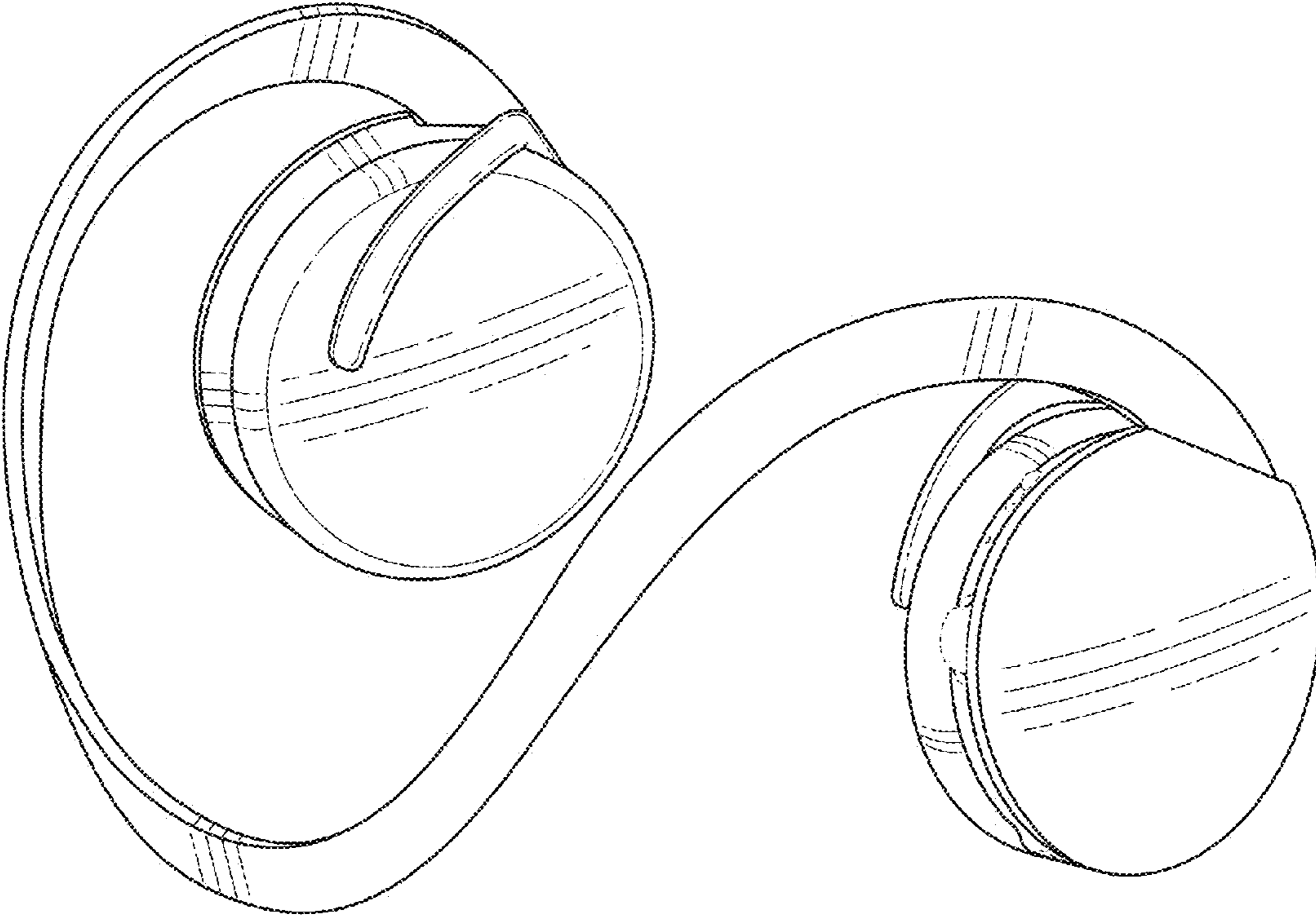


FIG. 1

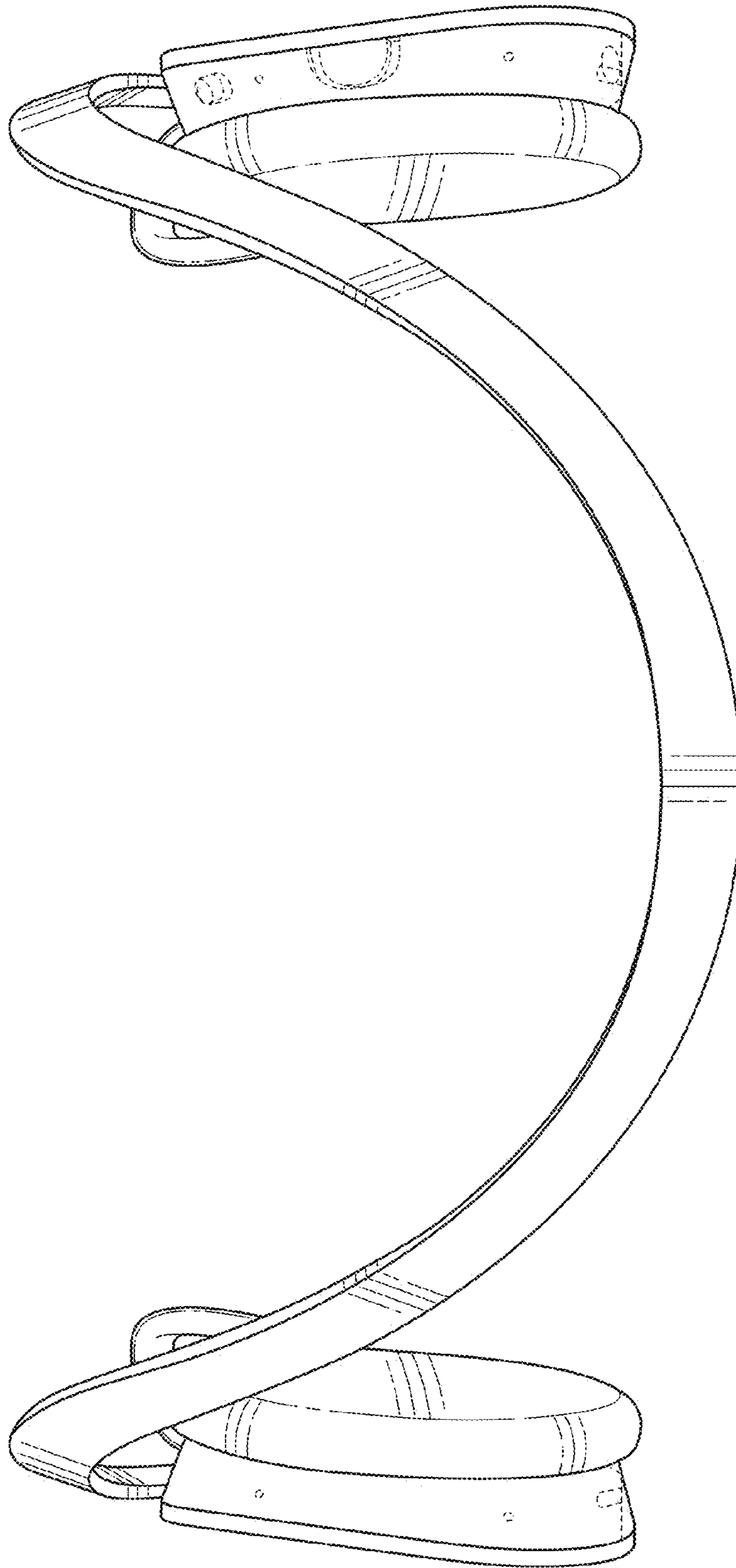


FIG. 2

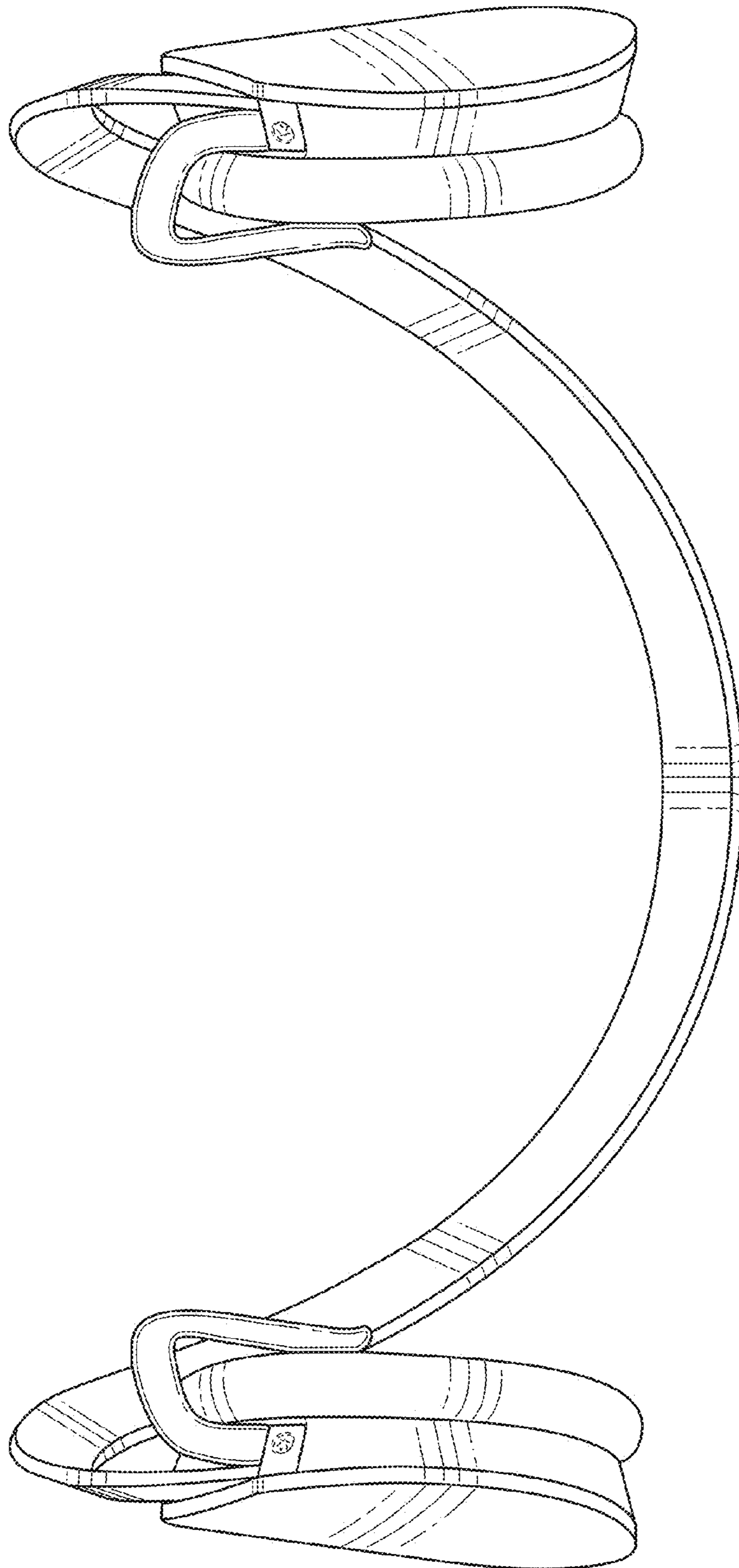


FIG. 3

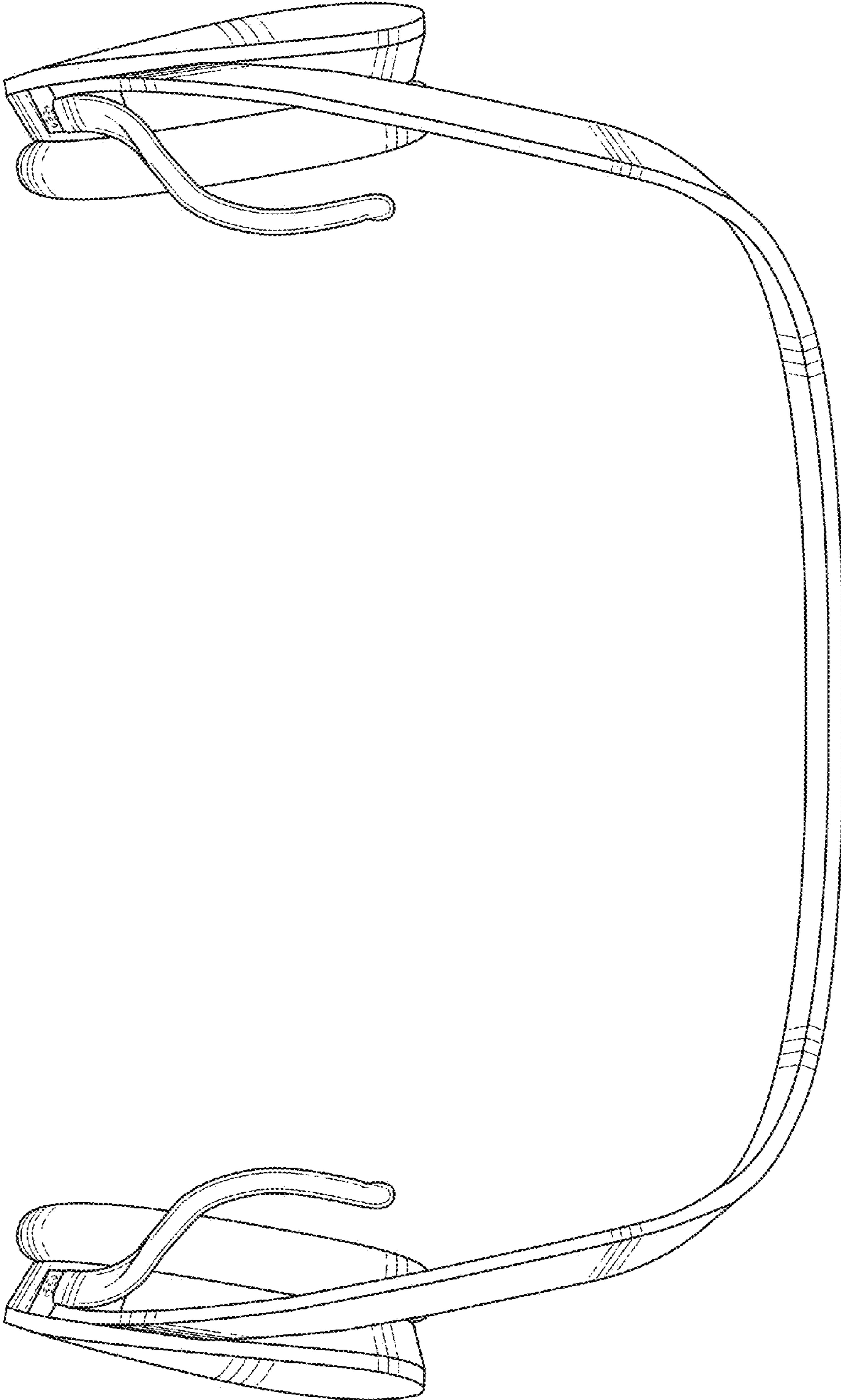


FIG. 4

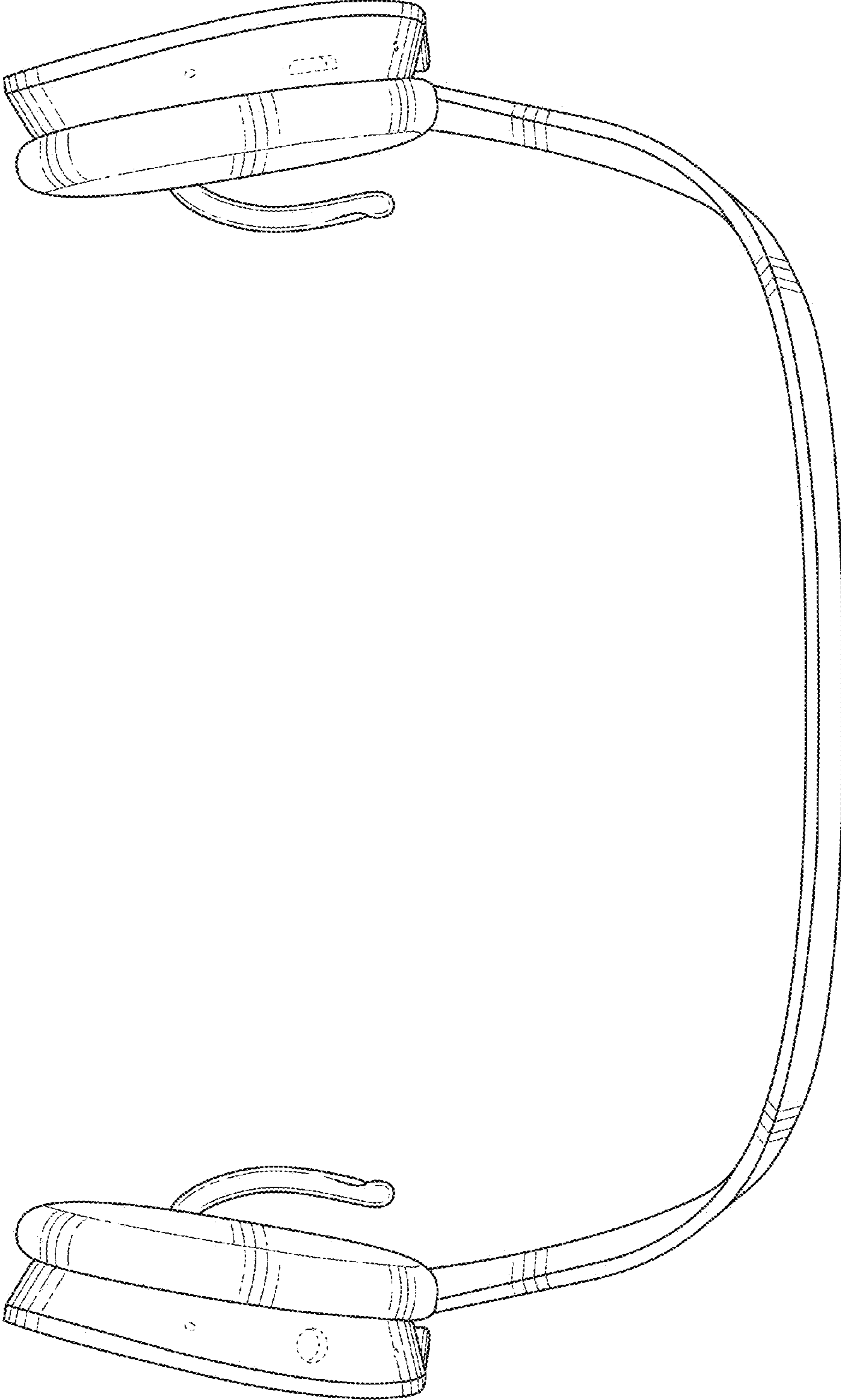


FIG. 5

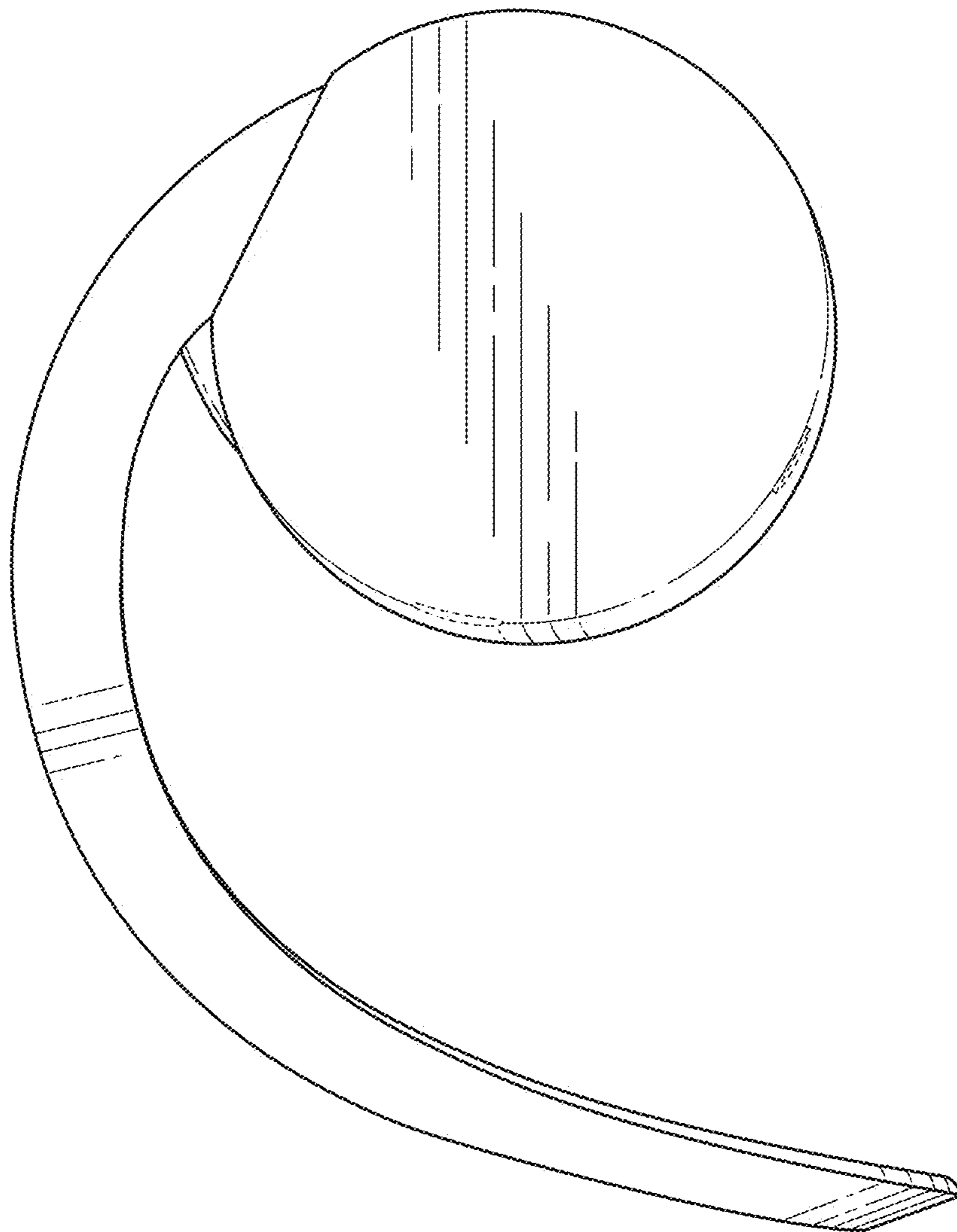


FIG. 6

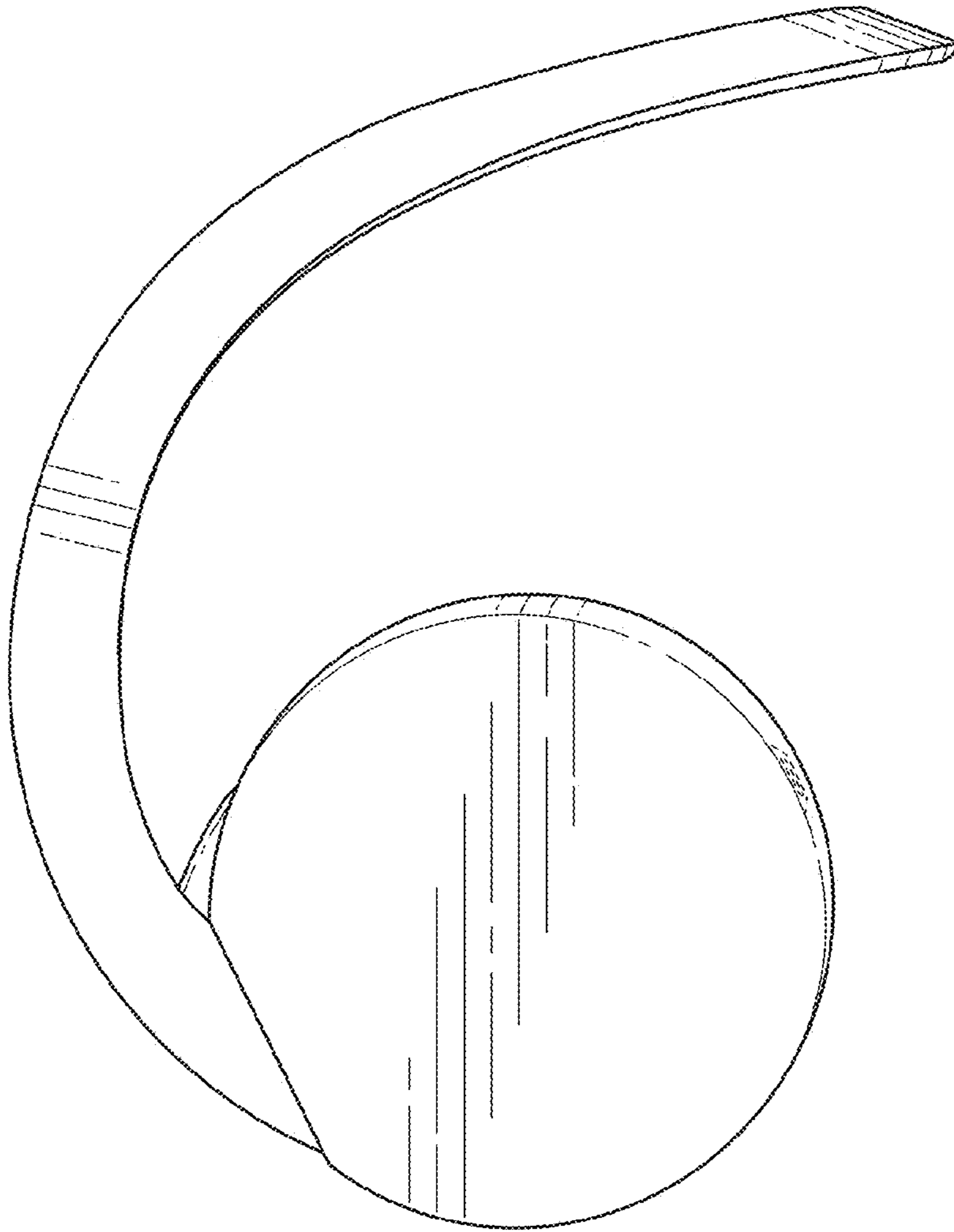


FIG. 7

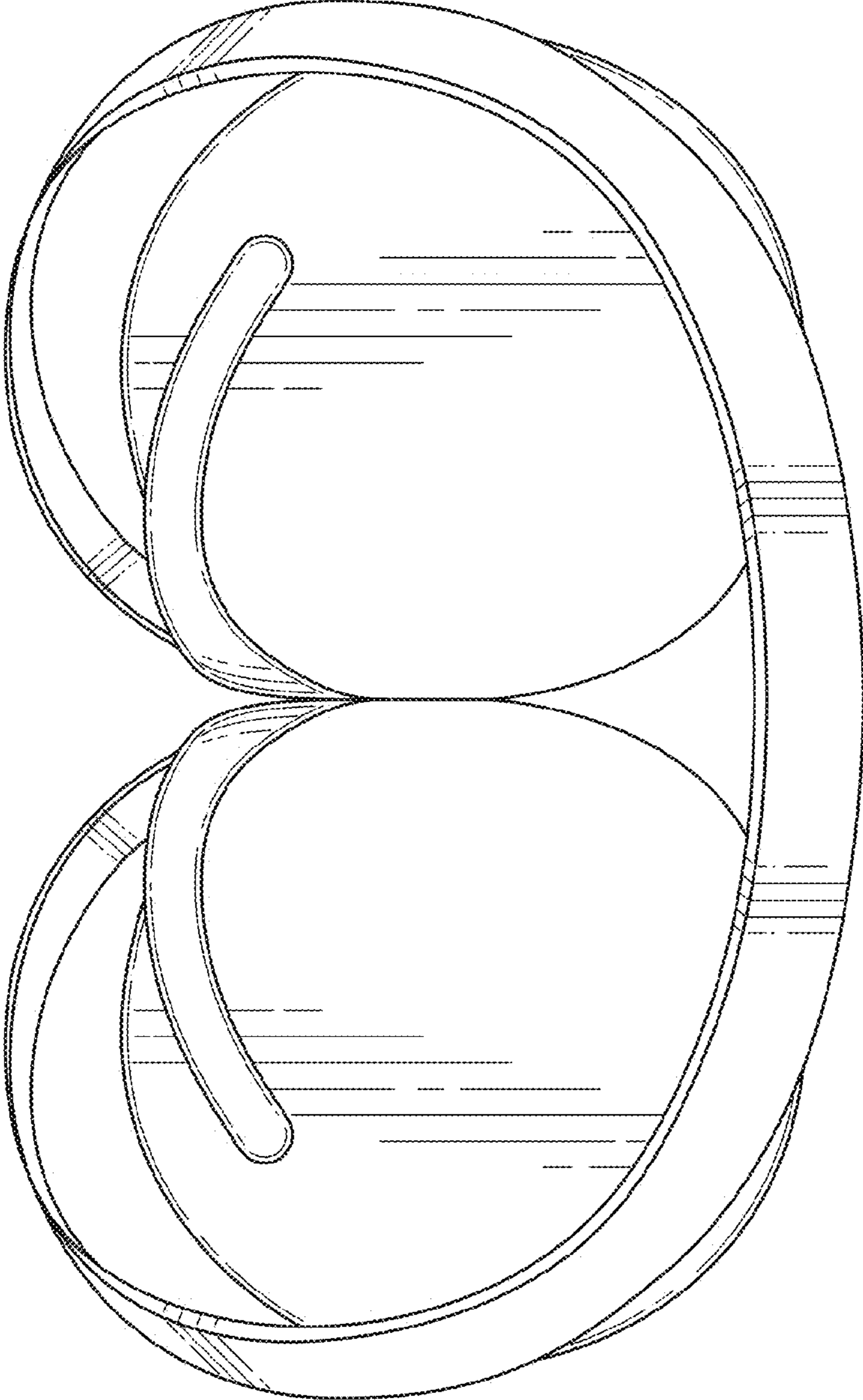


FIG. 8

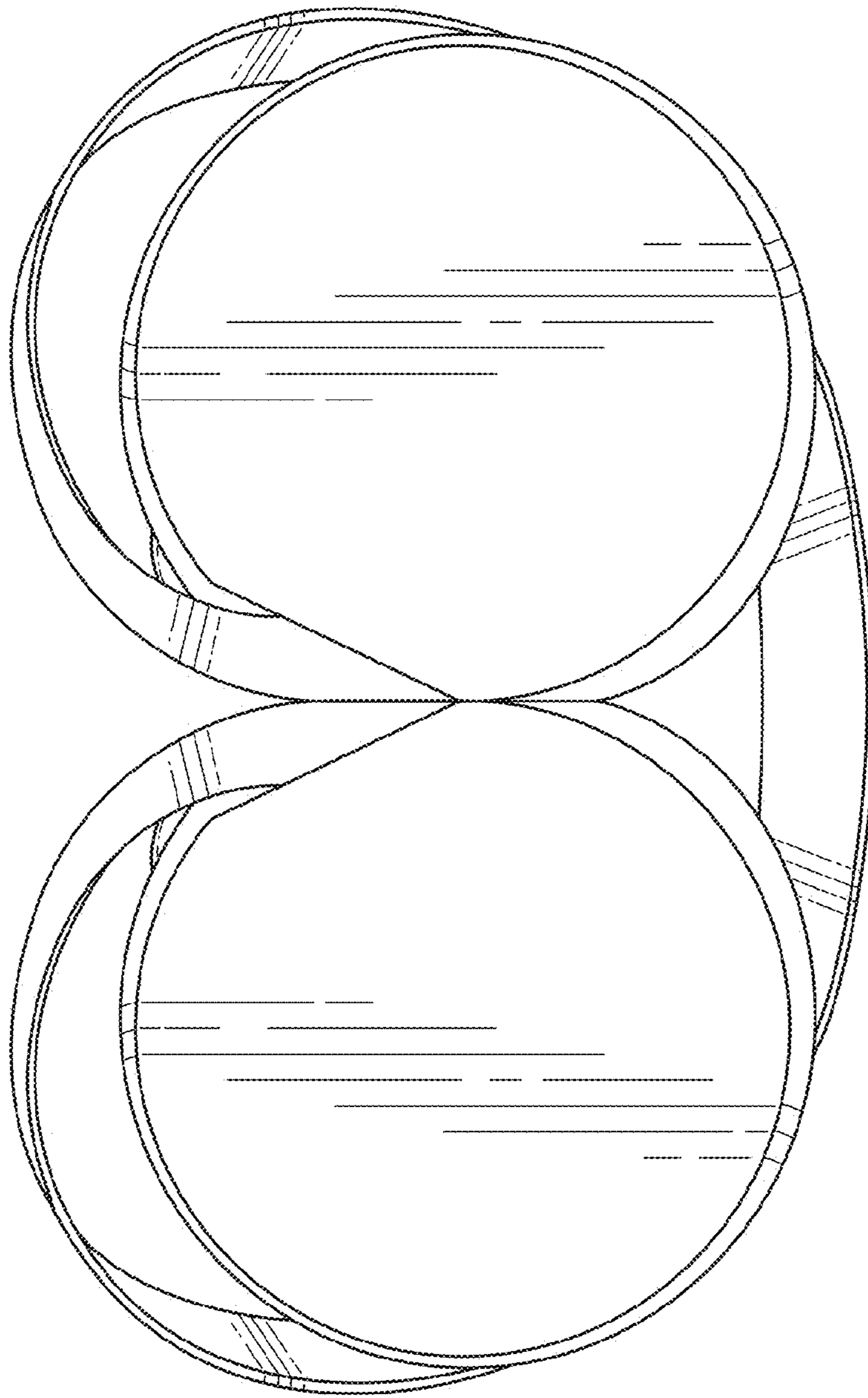


FIG. 9

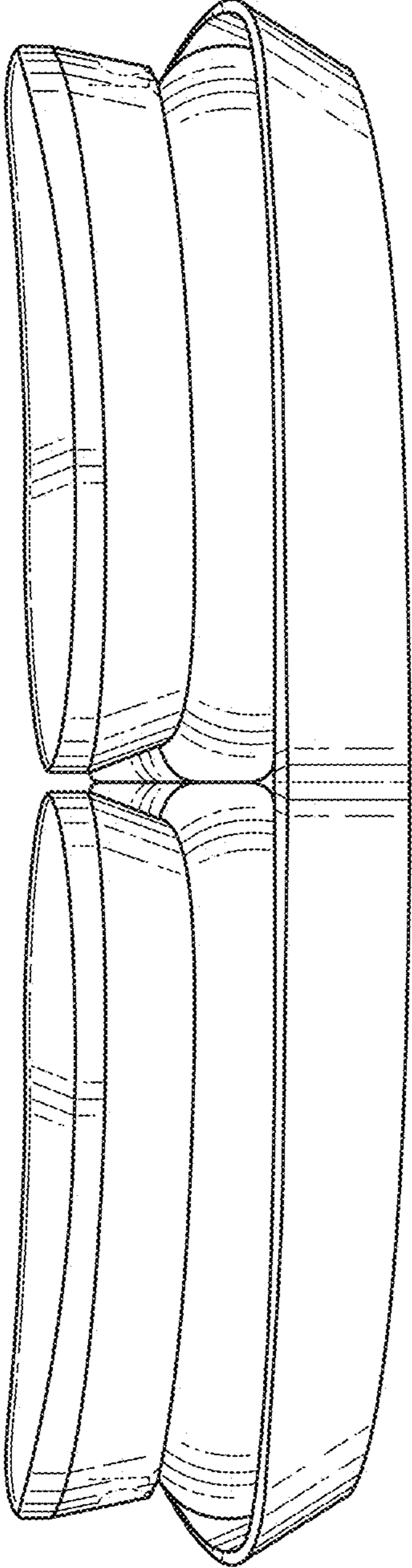


FIG. 10

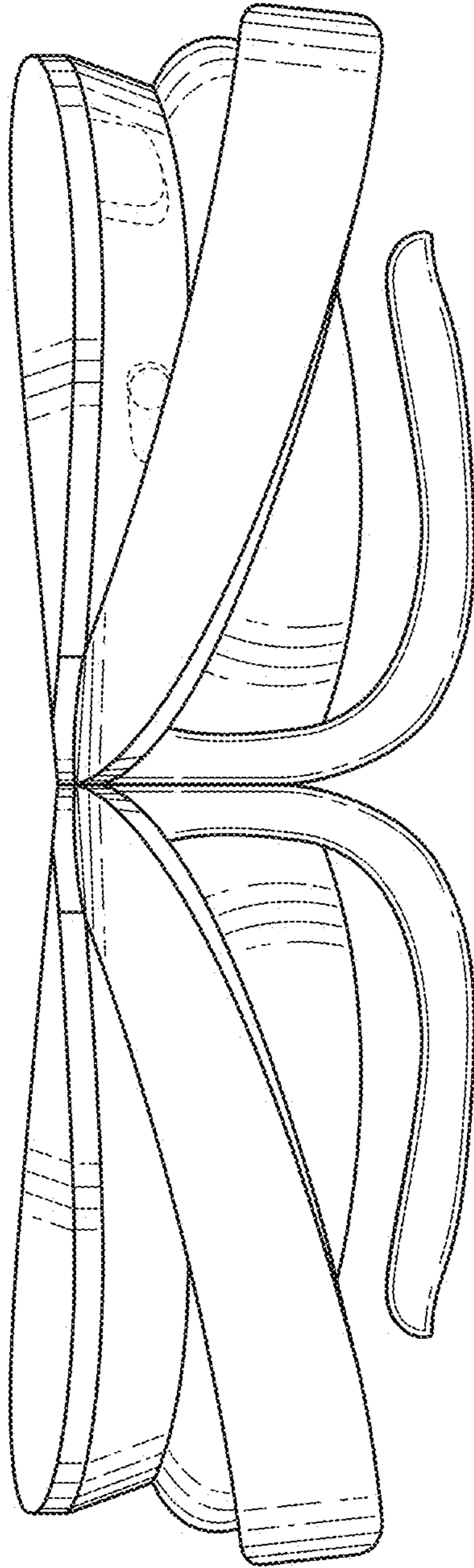


FIG. 11