



US00D710321S

(12) **United States Design Patent**
Ray

(10) **Patent No.:** **US D710,321 S**

(45) **Date of Patent:** **** Aug. 5, 2014**

(54) **TELEVISION**

(71) Applicant: **Tremain Ray**, Westchester, IL (US)

(72) Inventor: **Tremain Ray**, Westchester, IL (US)

(**) Term: **14 Years**

(21) Appl. No.: **29/486,290**

(22) Filed: **Mar. 27, 2014**

(51) **LOC (10) Cl.** **14-03**

(52) **U.S. Cl.**
USPC **D14/126**

(58) **Field of Classification Search**
USPC D14/125-134, 239, 371, 136, 374-377,
D14/440, 450, 448, 336, 342, 159; 312/7.2;
348/836, 838, 180, 184, 325, 739;
248/917-924, 465; 345/104, 133, 156,
345/168, 87, 173; D21/329, 515, 577, 622,
D21/333, 433, 448, 452, 450, 331, 505;
D10/15, 26; 446/484, 175, 356;
D6/477, 479, 300

See application file for complete search history.

(56) **References Cited**

U.S. PATENT DOCUMENTS

D438,848	S	*	3/2001	Kita	D14/126
D529,911	S	*	10/2006	Yamashiro et al.	D14/375
D578,532	S	*	10/2008	Huang et al.	D14/375
D603,815	S	*	11/2009	Hirasawa et al.	D14/126
D604,735	S	*	11/2009	Hirasawa et al.	D14/375
D620,904	S	*	8/2010	Honda	D14/126
D629,371	S	*	12/2010	Lim et al.	D14/126
D661,267	S	*	6/2012	Chen	D14/126
D685,336	S	*	7/2013	Chino et al.	D14/126

* cited by examiner

Primary Examiner — Raphael Barkai

(74) *Attorney, Agent, or Firm* — Lyman Smith

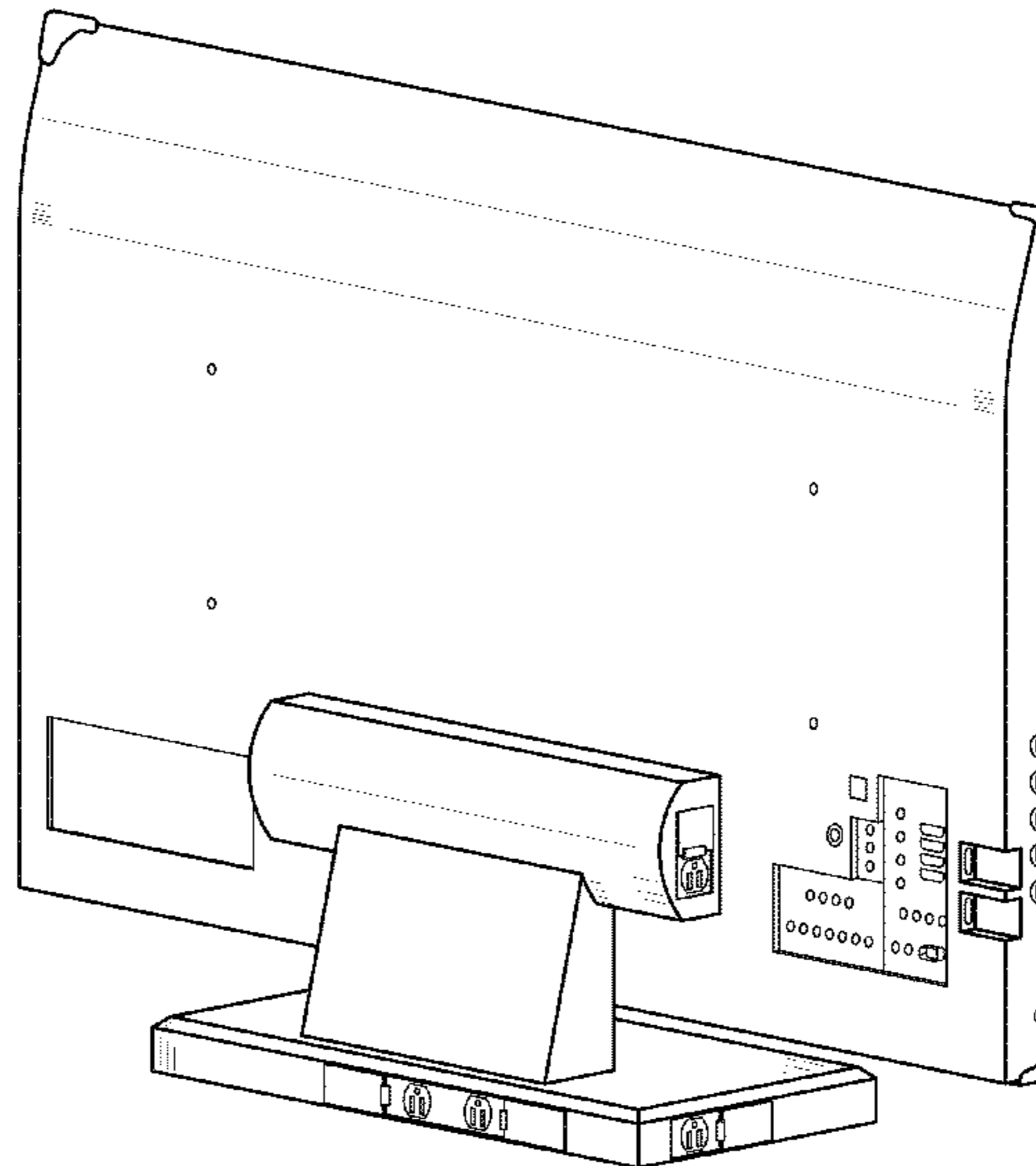
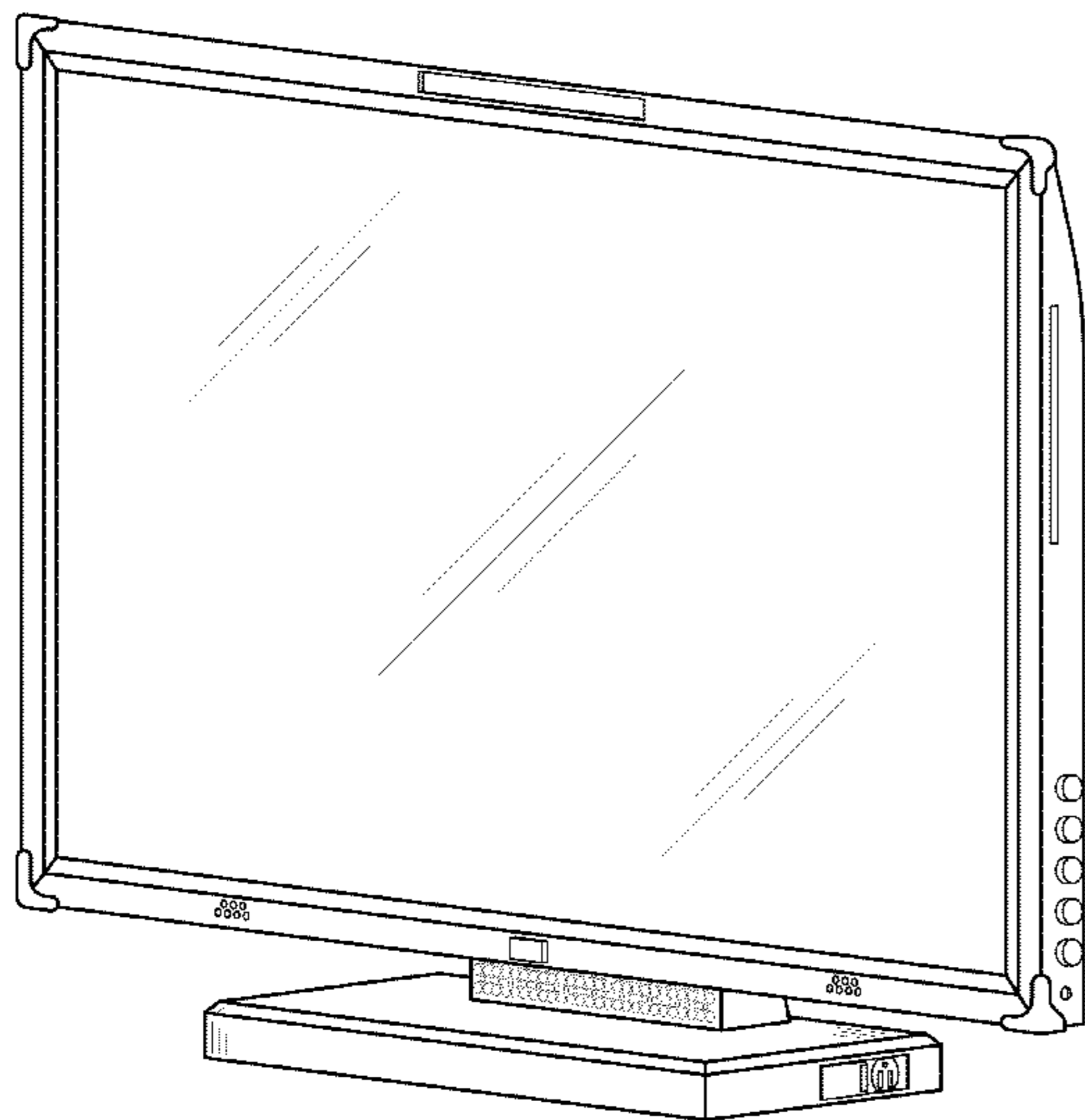
(57) **CLAIM**

The ornamental design for a television, as shown and described.

DESCRIPTION

FIG. 1 is a front perspective view of a television;
FIG. 2 is a rear perspective view of the television of FIG. 1;
FIG. 3 is a front view of the television of FIG. 1;
FIG. 4 is a rear view of the television of FIG. 1;
FIG. 5 is a right side view of the television of FIG. 1;
FIG. 6 is a left side view of the television of FIG. 1;
FIG. 7 is a top view of the television of FIG. 1; and,
FIG. 8 is a bottom view of the television of FIG. 1.

1 Claim, 6 Drawing Sheets



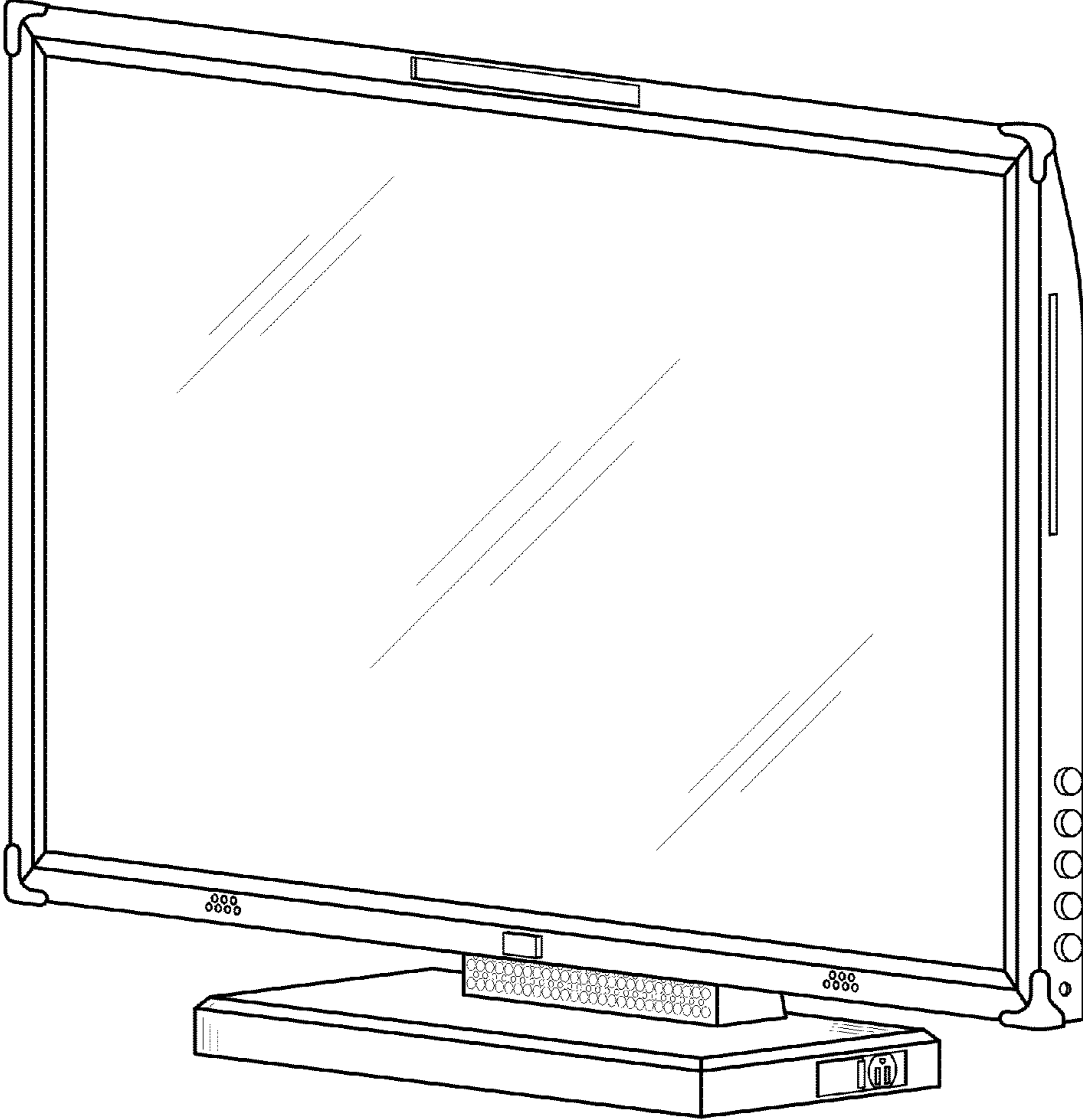


FIG. 1

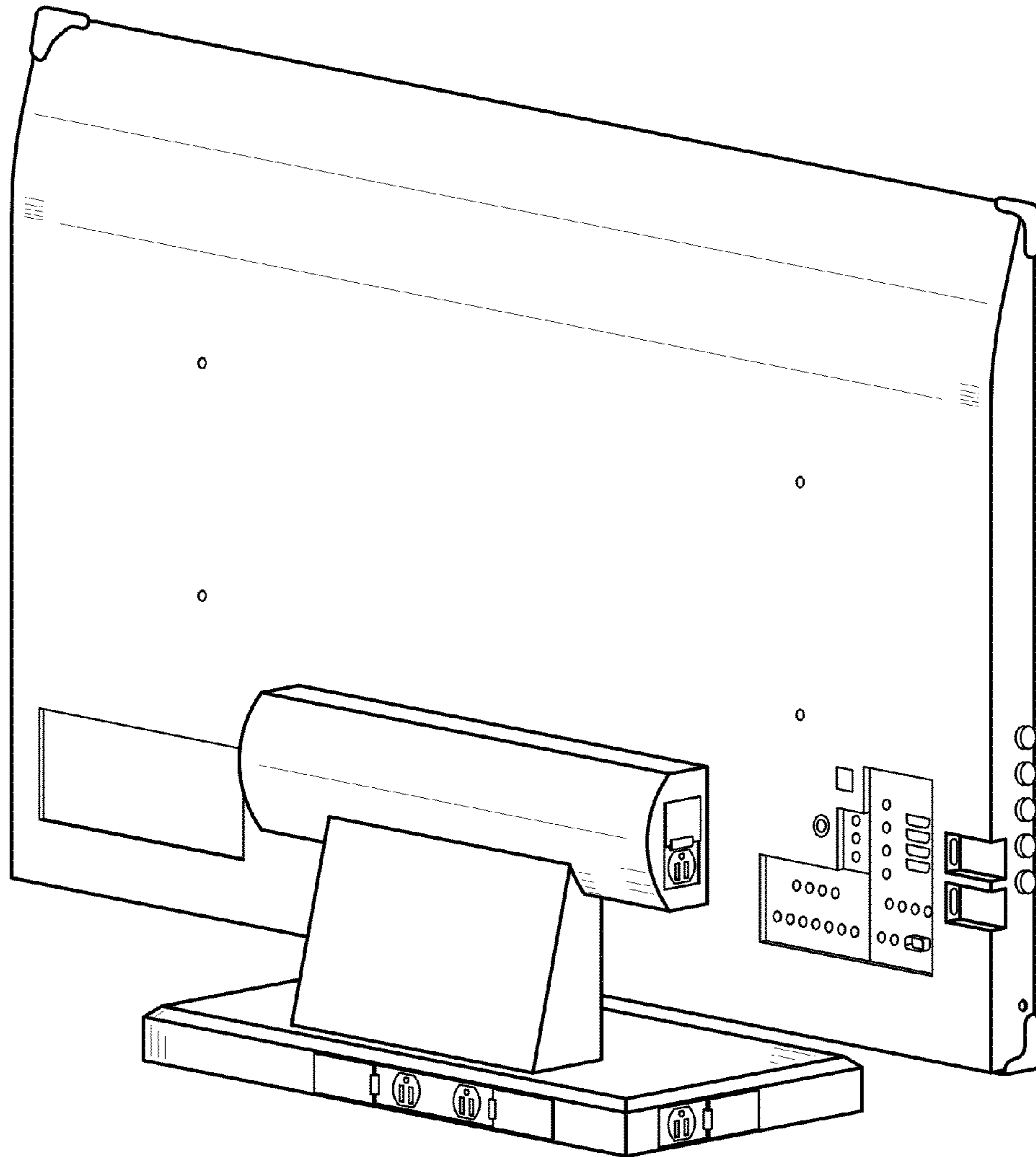


FIG.2

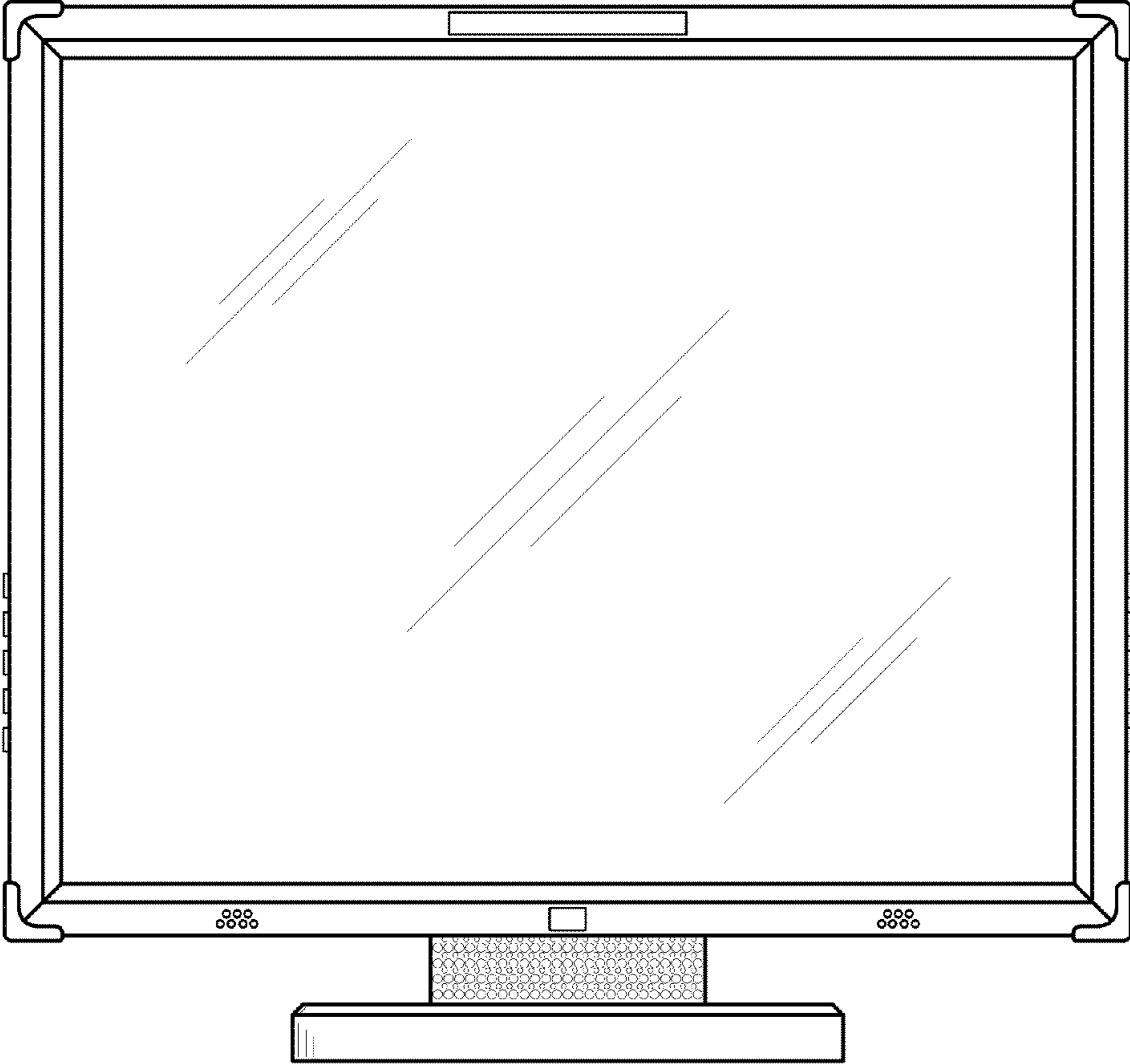


FIG.3

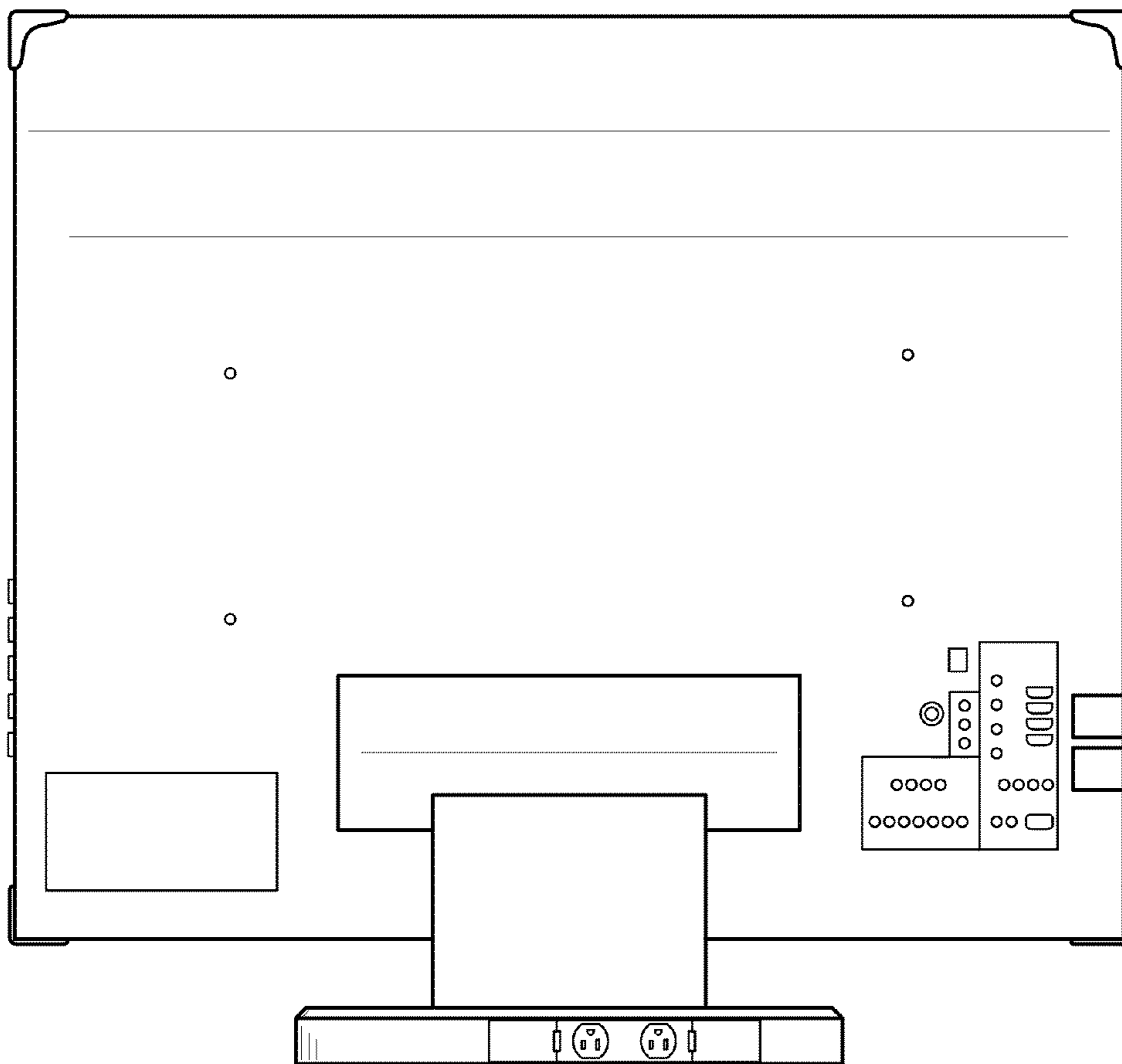


FIG.4

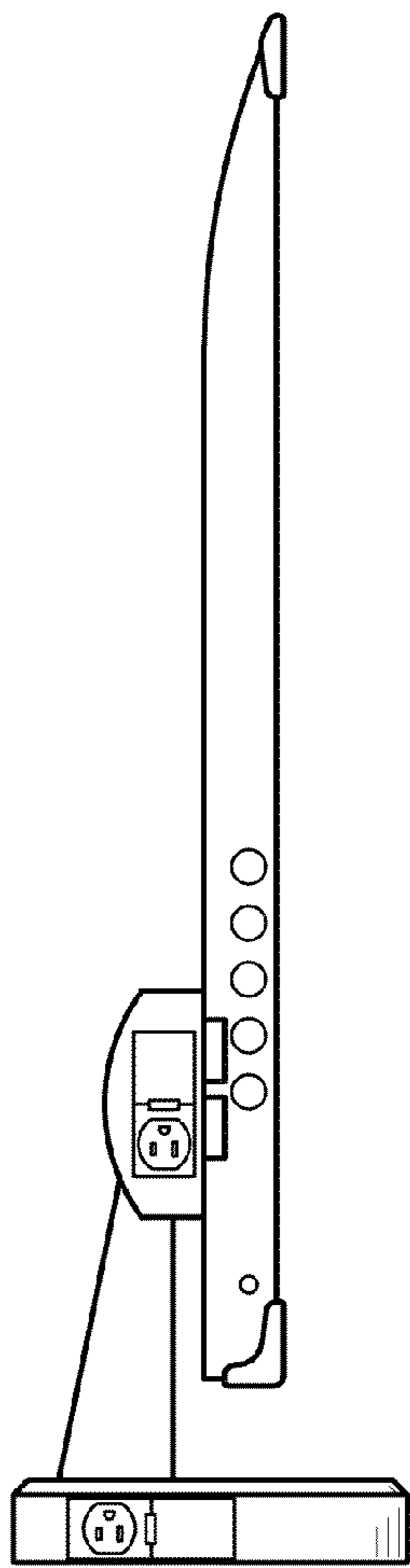


FIG.5

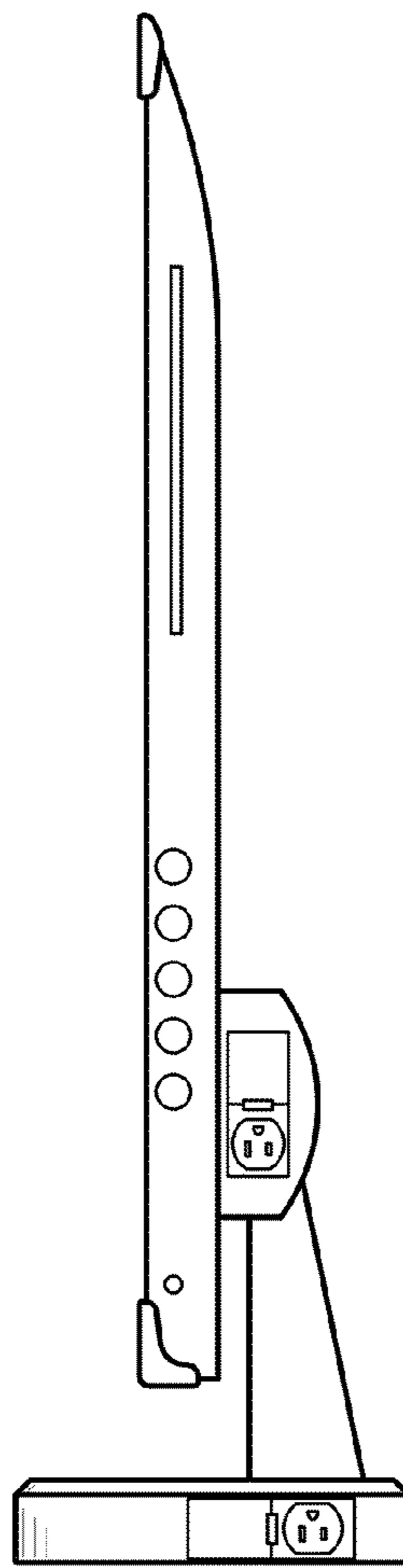


FIG.6

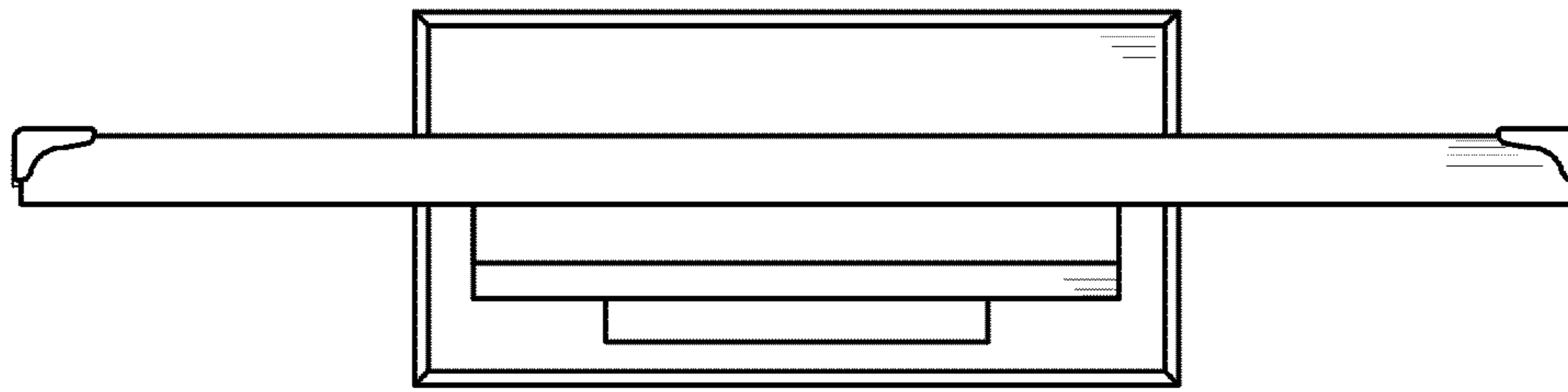


FIG. 7

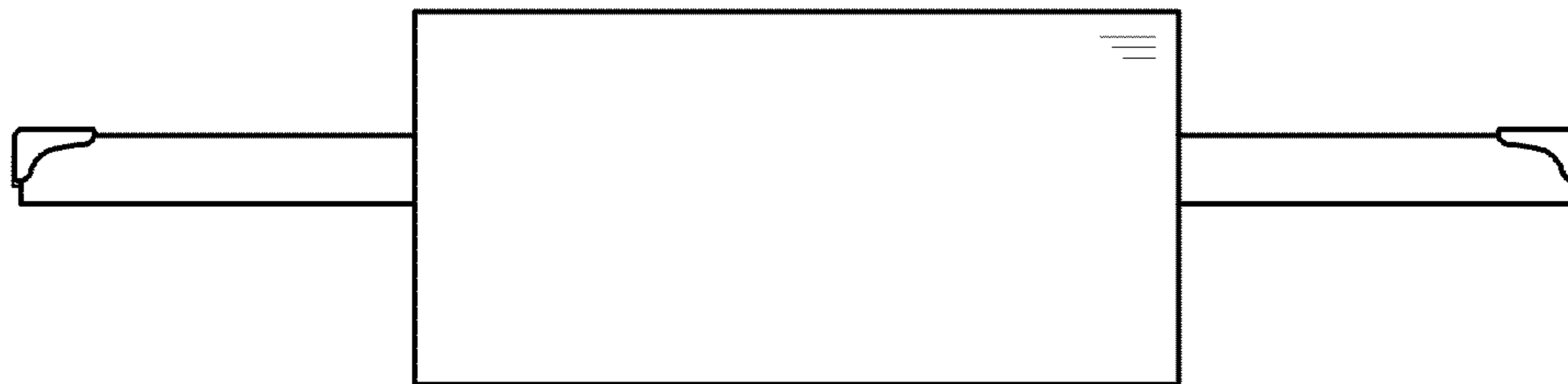


FIG. 8