



US00D710320S

(12) **United States Design Patent**
Kim et al.

(10) **Patent No.:** **US D710,320 S**
(45) **Date of Patent:** **** Aug. 5, 2014**

(54) **TV RECEIVER**

(71) Applicant: **Samsung Electronics Co., Ltd.**,
Suwon-si (KR)

(72) Inventors: **Euseok Kim**, Seongnam-si (KR);
Jigwang Kim, Seoul (KR)

(73) Assignee: **Samsung Electronics Co., Ltd.**,
Suwon-si (KR)

(**) Term: **14 Years**

(21) Appl. No.: **29/480,111**

(22) Filed: **Jan. 23, 2014**

(30) **Foreign Application Priority Data**

Jul. 23, 2013 (KR) 30-2013-0037953

(51) **LOC (10) Cl.** **14-03**

(52) **U.S. Cl.**
USPC **D14/126**

(58) **Field of Classification Search**
USPC D14/125-134, 239, 371, 136, 374-377,
D14/440, 450, 44, 448, 336, 342; 312/7.2;
348/836, 838, 180, 184, 325, 739;
248/917-924, 465; 345/104, 133, 156,
345/168, 87, 173; D21/329, 515, 577, 622,
D21/333, 433, 448, 452, 450, 331, 505;
D10/15, 26; 446/484, 175, 356;
D6/700, 701, 682.3

See application file for complete search history.

(56) **References Cited**

U.S. PATENT DOCUMENTS

D201,026 S * 5/1965 Wiese D6/419
D373,584 S * 9/1996 Anand D14/126
D393,853 S * 4/1998 Maas D14/126
D524,268 S * 7/2006 Reza D14/126

D545,776 S * 7/2007 Kwon D14/126
D558,696 S * 1/2008 Park et al. D14/126
D563,914 S * 3/2008 Chiu D14/126
D574,341 S * 8/2008 Kuramashi et al. D14/126
D597,041 S * 7/2009 Cho et al. D14/126
D597,975 S * 8/2009 Ohno D14/126
D599,755 S * 9/2009 Jin et al. D14/126
D626,101 S * 10/2010 Kim et al. D14/126
D628,830 S * 12/2010 Mono D6/466
D634,324 S * 3/2011 Park et al. D14/374
D644,642 S * 9/2011 Chou et al. D14/374
D645,431 S * 9/2011 Boo et al. D14/126
D652,045 S * 1/2012 Hong D14/447
D659,663 S * 5/2012 Xu et al. D14/126
D667,806 S * 9/2012 Asanuma et al. D14/129
D671,540 S * 11/2012 Yukawa et al. D14/336
D686,615 S * 7/2013 Lee et al. D14/374
D692,844 S * 11/2013 Seong D14/126
2003/0058372 A1 * 3/2003 Williams et al. 348/836

* cited by examiner

Primary Examiner — Raphael Barkai

(74) *Attorney, Agent, or Firm* — NSIP Law

(57) **CLAIM**

The ornamental design for a TV receiver, as shown and described.

DESCRIPTION

FIG. 1 is a front perspective view of a TV receiver showing our new design;

FIG. 2 is a front view thereof;

FIG. 3 is a rear view thereof;

FIG. 4 is a left-side view thereof;

FIG. 5 is a right-side view thereof;

FIG. 6 is a top view thereof;

FIG. 7 is a bottom view thereof; and,

FIG. 8 is an enlarged view of the encircled portion in FIG. 1.

The dot-dash broken lines encircling portions of the claimed design that are illustrated in enlargements form no part of the claimed design.

1 Claim, 8 Drawing Sheets

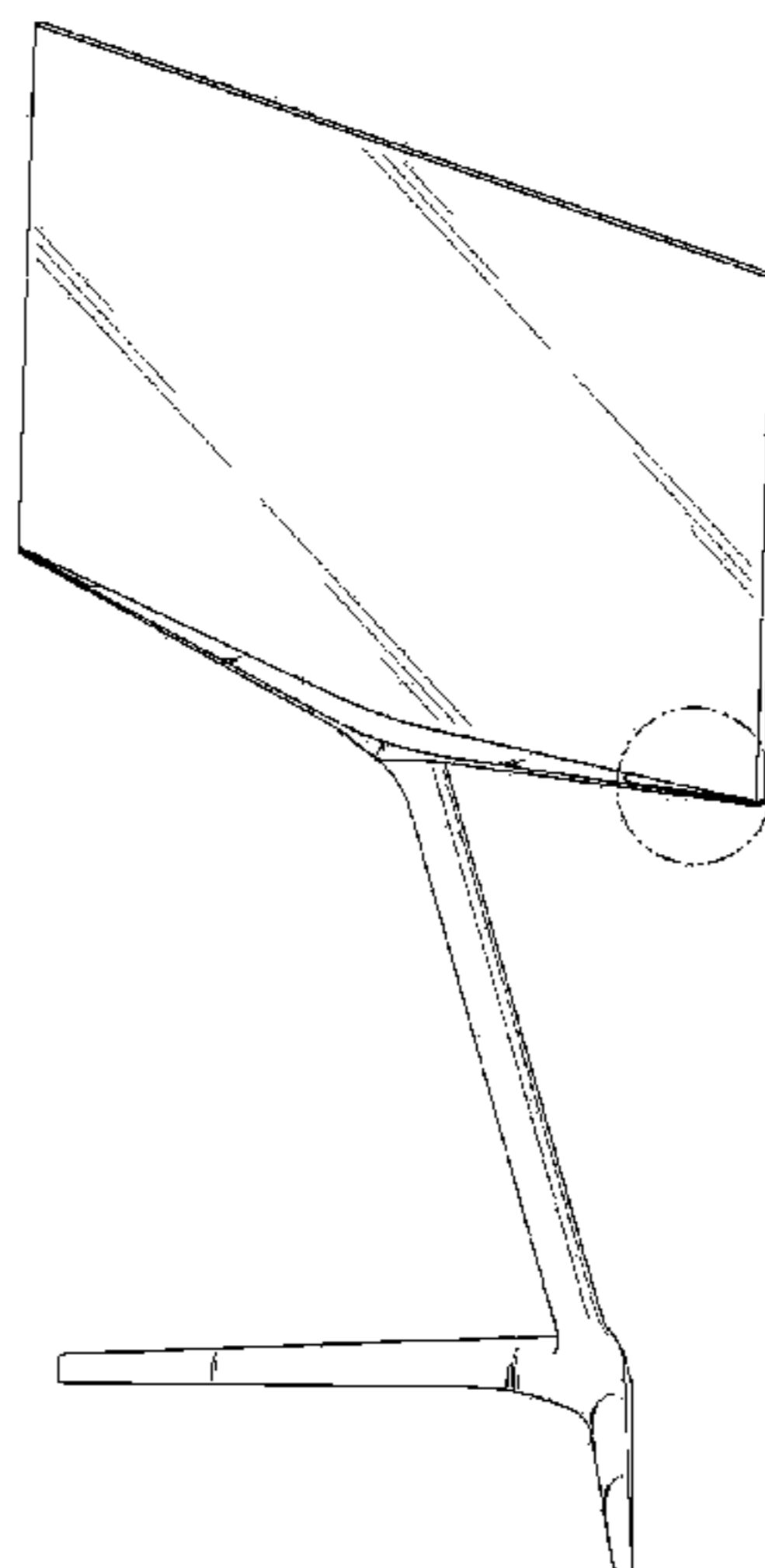


FIG. 1

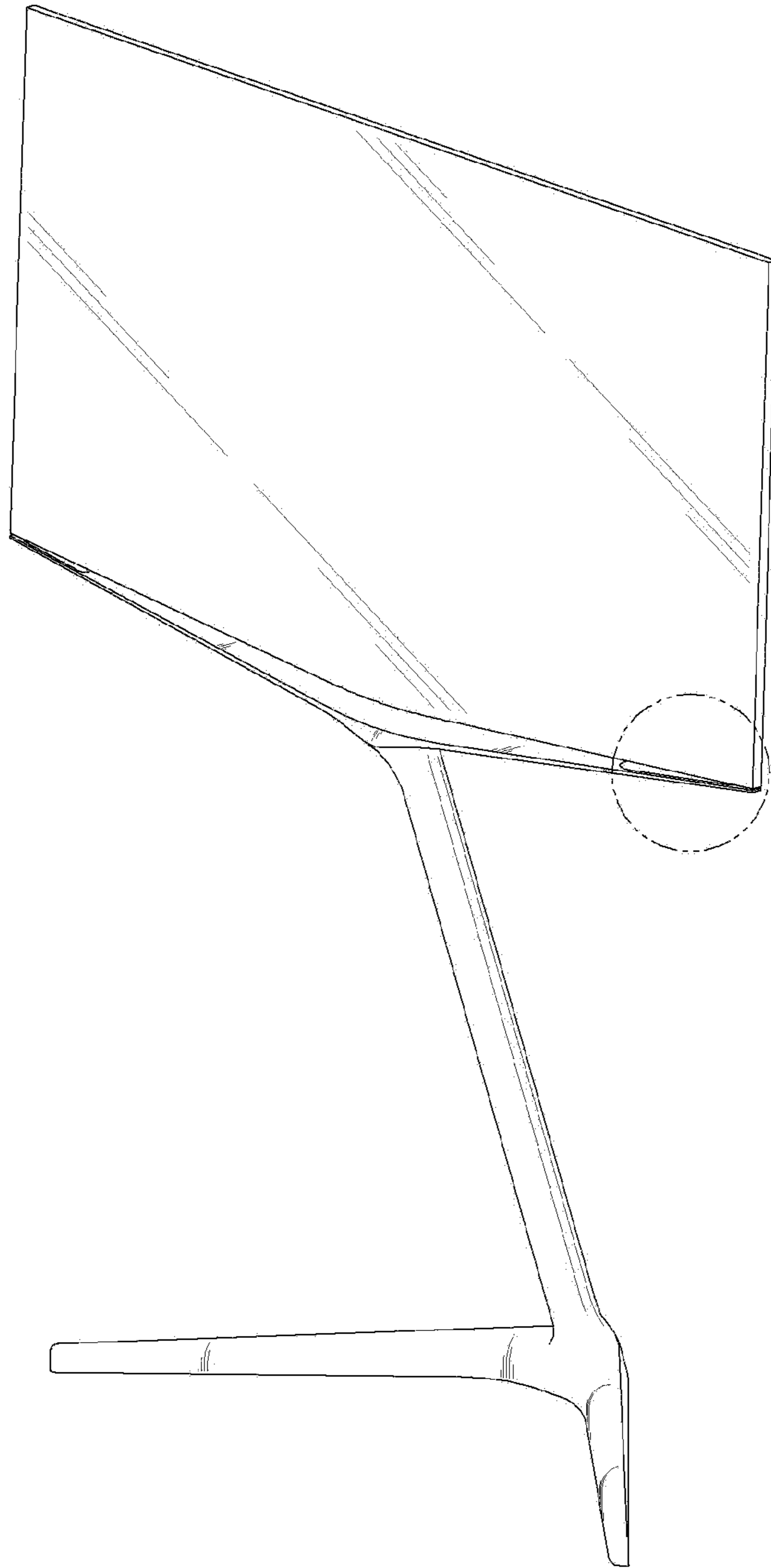


FIG. 2

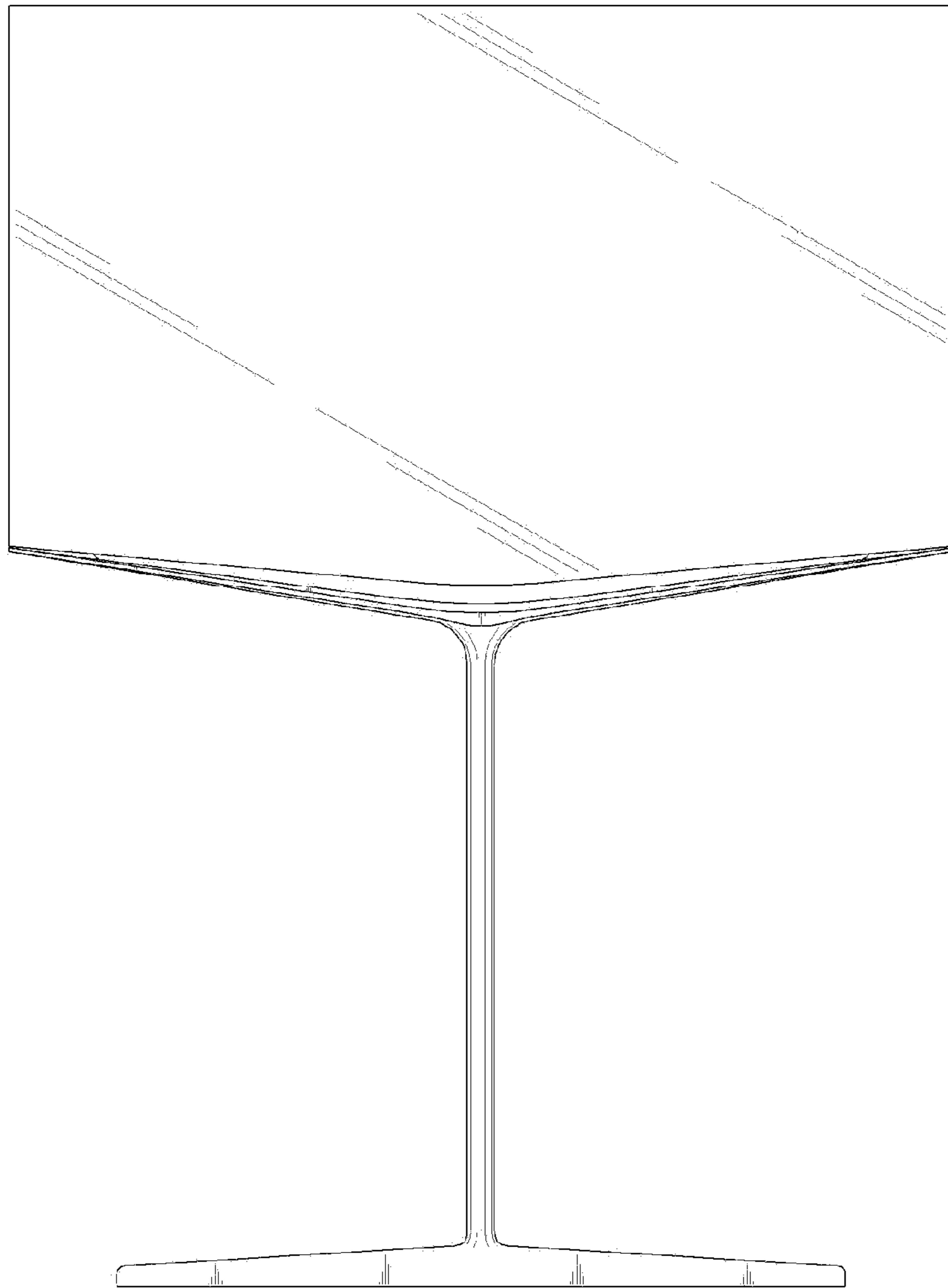


FIG. 3

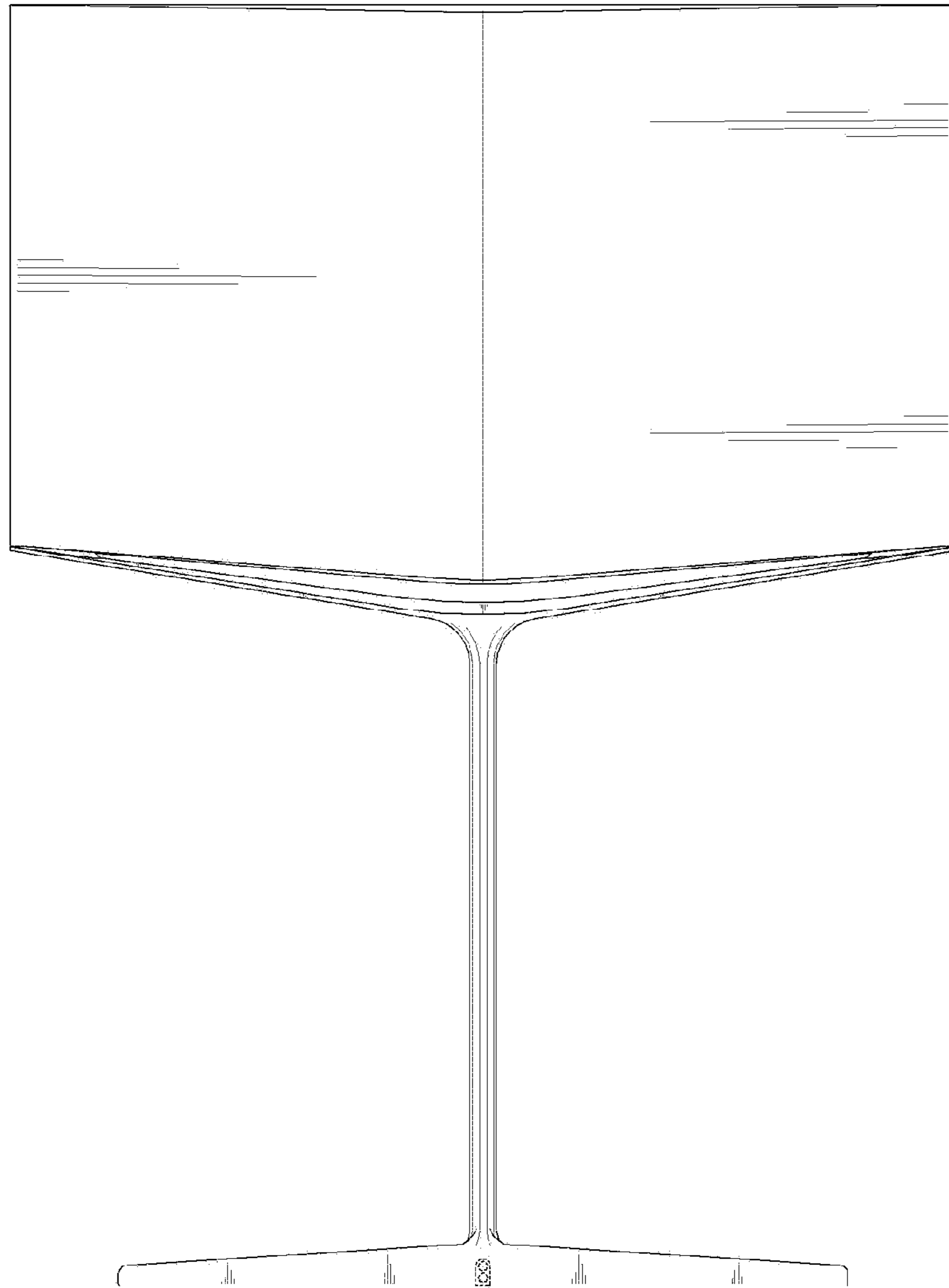


FIG. 4

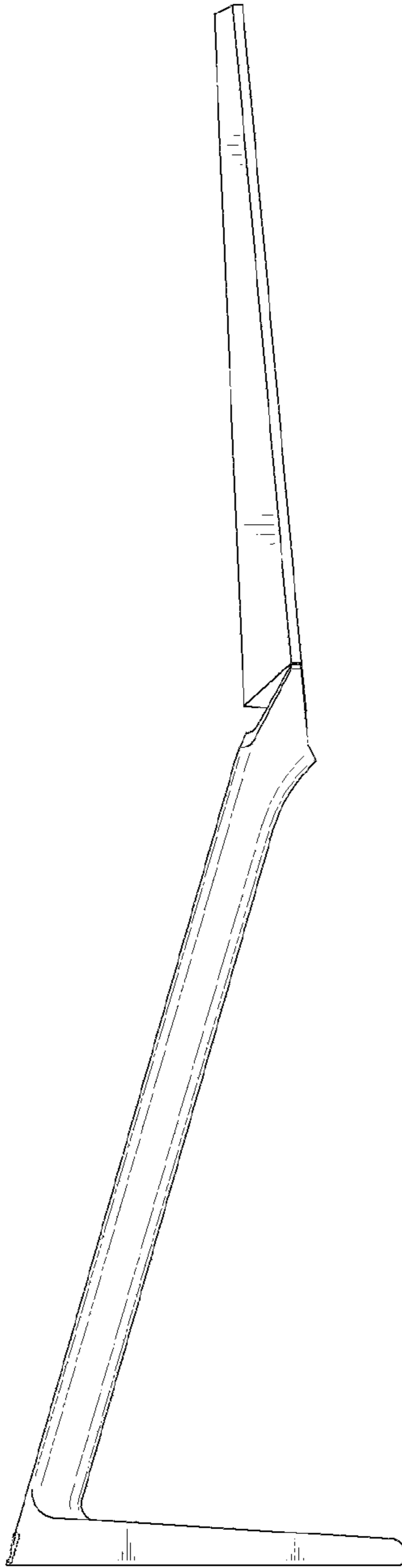


FIG. 5

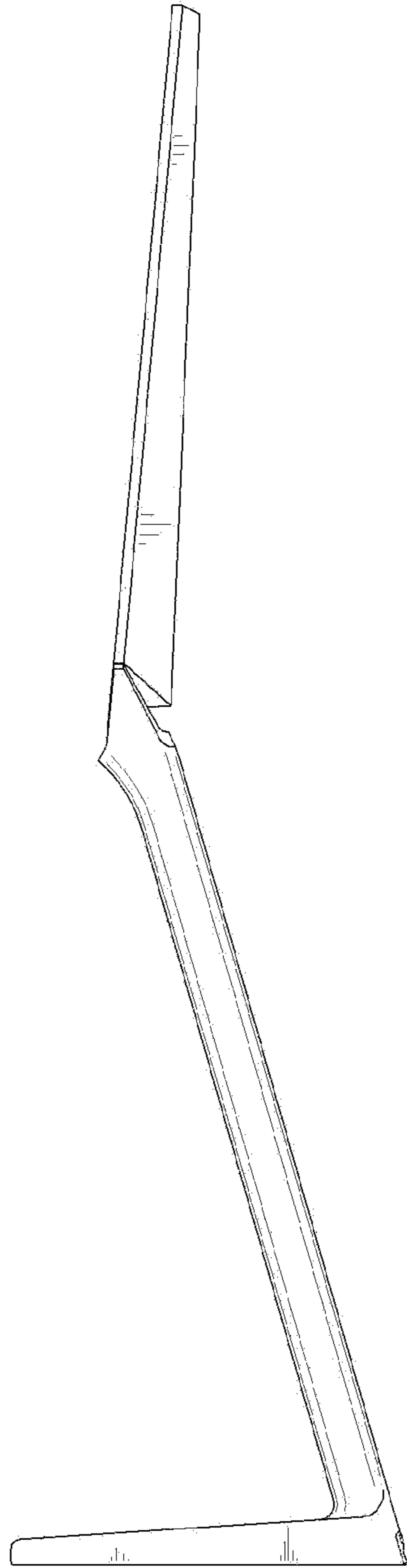


FIG. 6

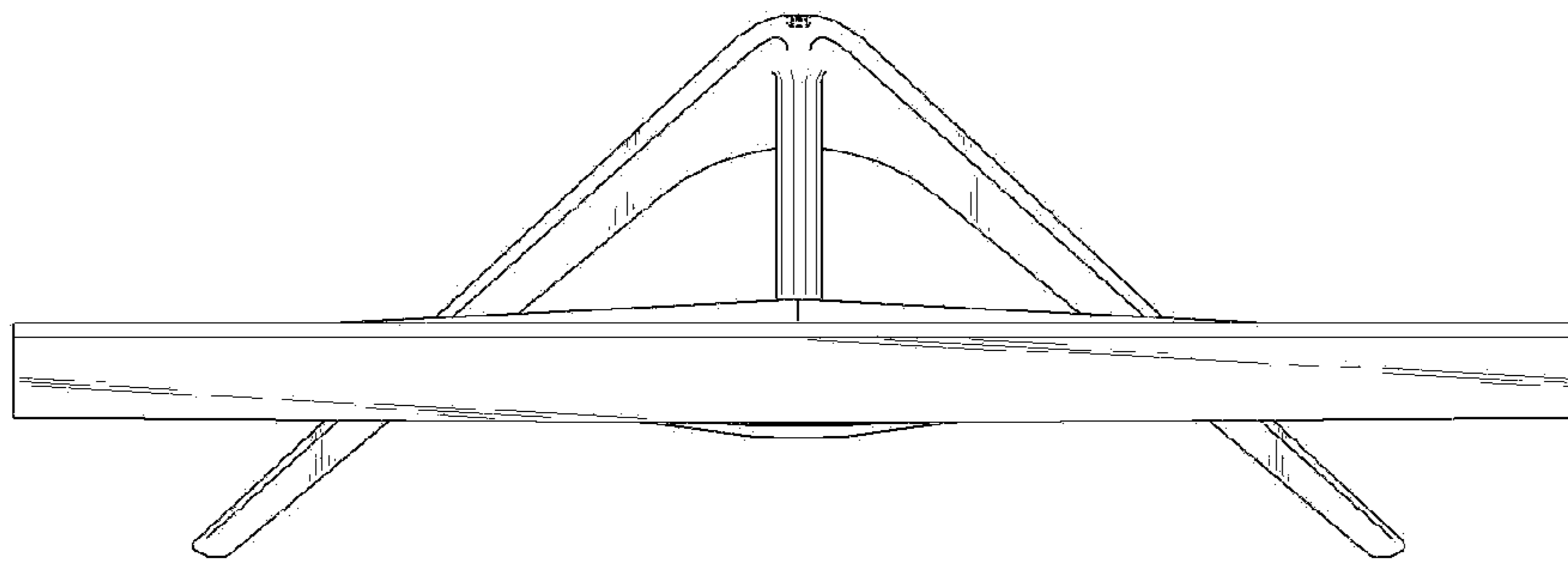


FIG. 7

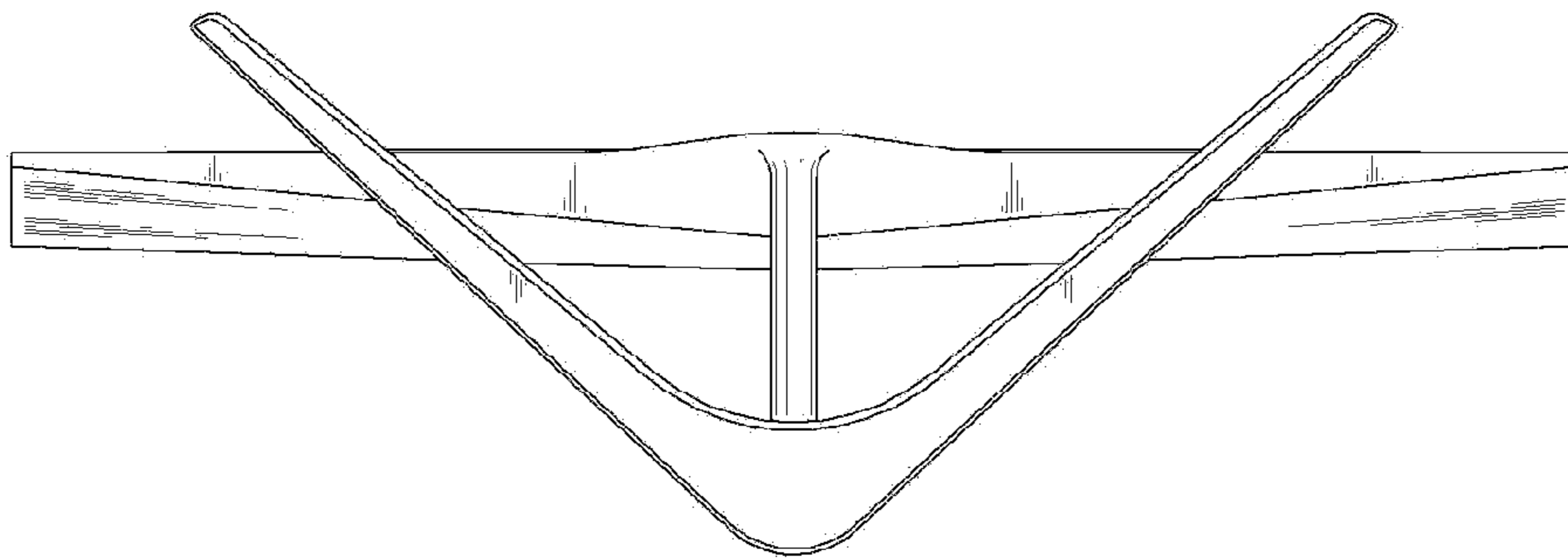


FIG. 8

