



US00D710316S

(12) **United States Design Patent**  
**Ikeda et al.**

(10) **Patent No.:** **US D710,316 S**

(45) **Date of Patent:** **\*\* Aug. 5, 2014**

- (54) **LIGHT-EMITTING DIODE**
- (71) Applicant: **Kabushiki Kaisha Toshiba**, Tokyo (JP)
- (72) Inventors: **Asako Ikeda**, Tokyo (JP); **Nozomu Takahashi**, Ayase (JP)
- (73) Assignee: **Kabushiki Kaisha Toshiba**, Minato-Ku, Tokyo (JP)

D676,003	S *	2/2013	Takeda et al.	.....	D13/180
8,399,899	B2 *	3/2013	Matsuda et al.	.....	257/98
D697,877	S *	1/2014	Hsu et al.	.....	D13/180
D698,742	S *	2/2014	Niikura et al.	.....	D13/180
2010/0102348	A1 *	4/2010	Lin	.....	257/98
2011/0024786	A1 *	2/2011	Sugiyama	.....	257/99
2011/0127566	A1 *	6/2011	Yoon	.....	257/99
2012/0074451	A1 *	3/2012	Lin	.....	257/99
2012/0161180	A1 *	6/2012	Komatsu et al.	.....	257/98
2012/0211789	A1 *	8/2012	Lee et al.	.....	257/98

(\*\*) Term: **14 Years**

(21) Appl. No.: **29/449,696**

(22) Filed: **Mar. 15, 2013**

(30) **Foreign Application Priority Data**

Oct. 4, 2012 (JP) ..... 2012-024207

(51) **LOC (10) Cl.** ..... **13-03**

(52) **U.S. Cl.**  
USPC ..... **D13/180**

(58) **Field of Classification Search**  
 CPC ... H01L 25/167; H01L 25/0753; H01L 33/08;  
           H01L 33/10; H01L 33/20; H01L 33/38;  
           H01L 33/42; H01L 33/52; H01L 33/54;  
           H01L 33/60; H01L 33/62; H01L 33/382;  
           H01L 33/486; H01L 33/642  
 USPC ..... D13/180; D26/1; 257/79, 80, 81, 88,  
           257/89, 95, 98, 99, 100, E33.058; 313/483,  
           313/498, 500; 362/555, 800  
 See application file for complete search history.

(56) **References Cited**

**U.S. PATENT DOCUMENTS**

D578,084	S *	10/2008	Kobayakawa	.....	D13/180
D630,777	S	1/2011	Lee		
D635,529	S	4/2011	Hsu		
D664,103	S *	7/2012	Sasaoka et al.	.....	D13/180

**FOREIGN PATENT DOCUMENTS**

JP	1318029	12/2007
JP	1392236	7/2010
JP	1394242	8/2010
KR	30-0555750	3/2010
KR	30-0578044	11/2010
KR	30-0581456	12/2010
KR	30-0629702	1/2012

\* cited by examiner

*Primary Examiner* — Selina Sikder

(74) *Attorney, Agent, or Firm* — Banner & Witcoff, Ltd

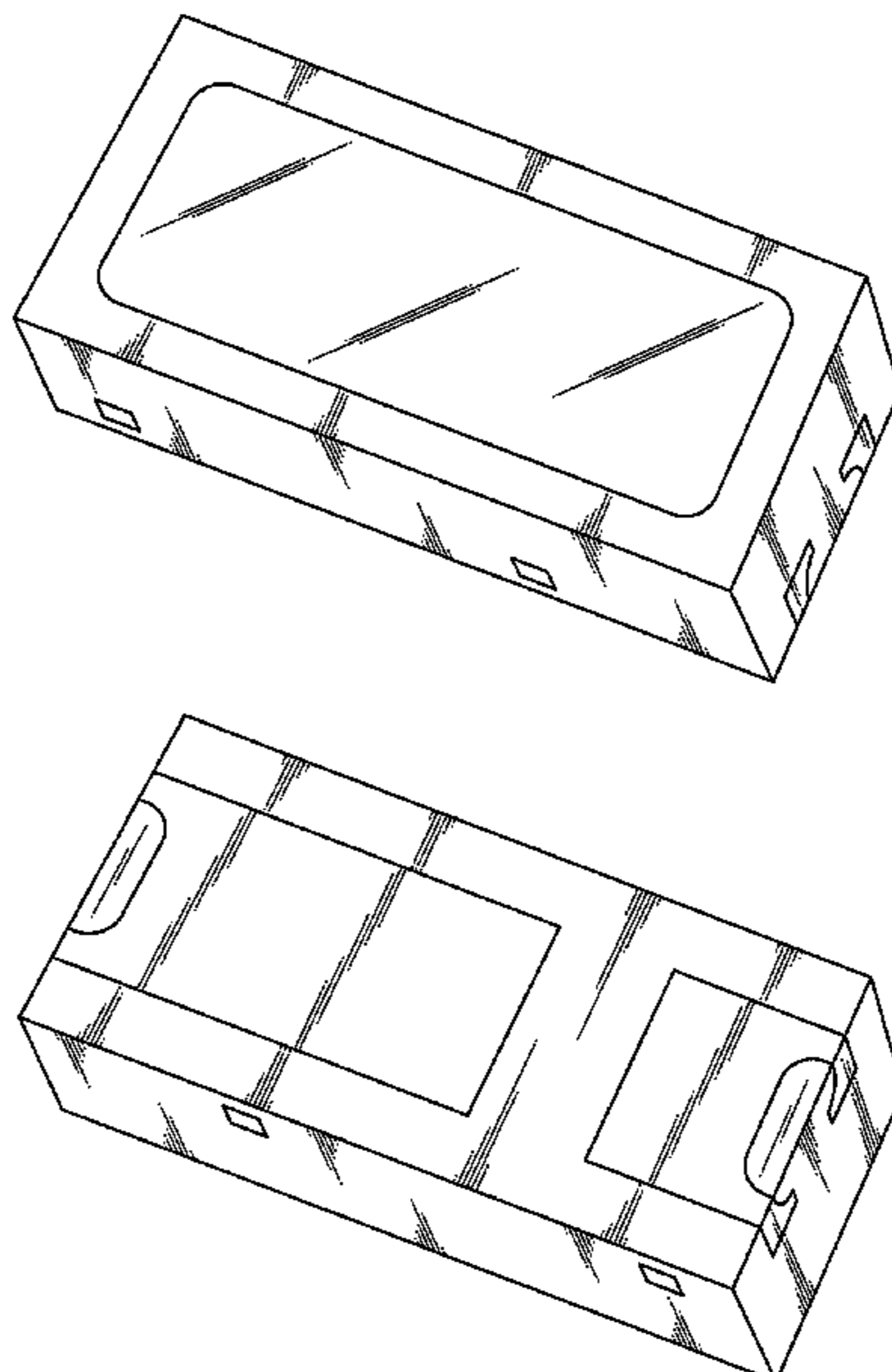
(57) **CLAIM**

The ornamental design for a light-emitting diode, as shown and described.

**DESCRIPTION**

FIG. 1 is a front perspective view of a light-emitting diode, showing our new design;  
 FIG. 2 is a rear perspective view thereof;  
 FIG. 3 is a front elevational view thereof;  
 FIG. 4 is a rear elevational view thereof;  
 FIG. 5 is a bottom plan view thereof; the opposite side being a mirror image thereof; and,  
 FIG. 6 is a right side elevational view thereof; the opposite side being a mirror image thereof.

**1 Claim, 3 Drawing Sheets**



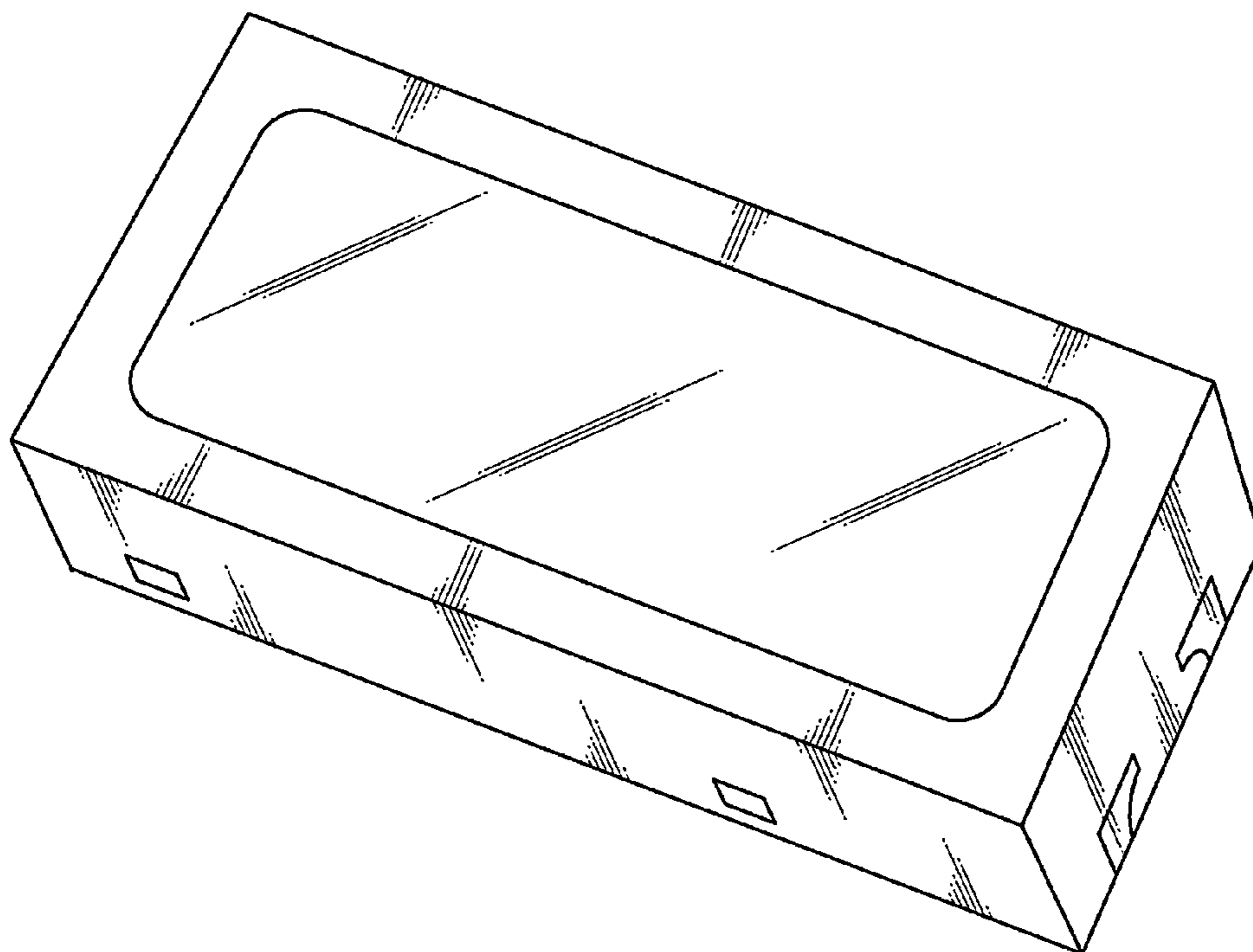


FIG. 1

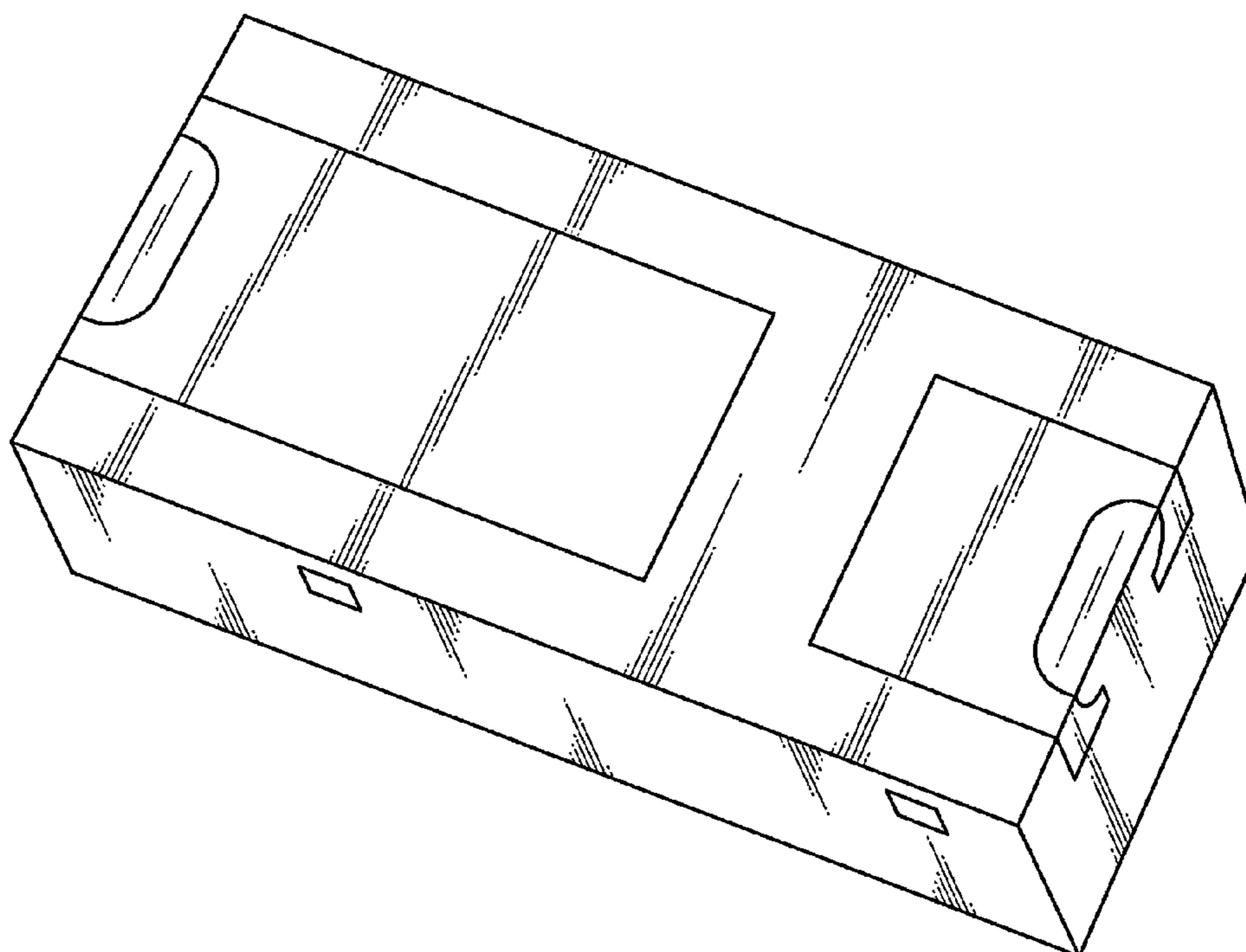


FIG. 2

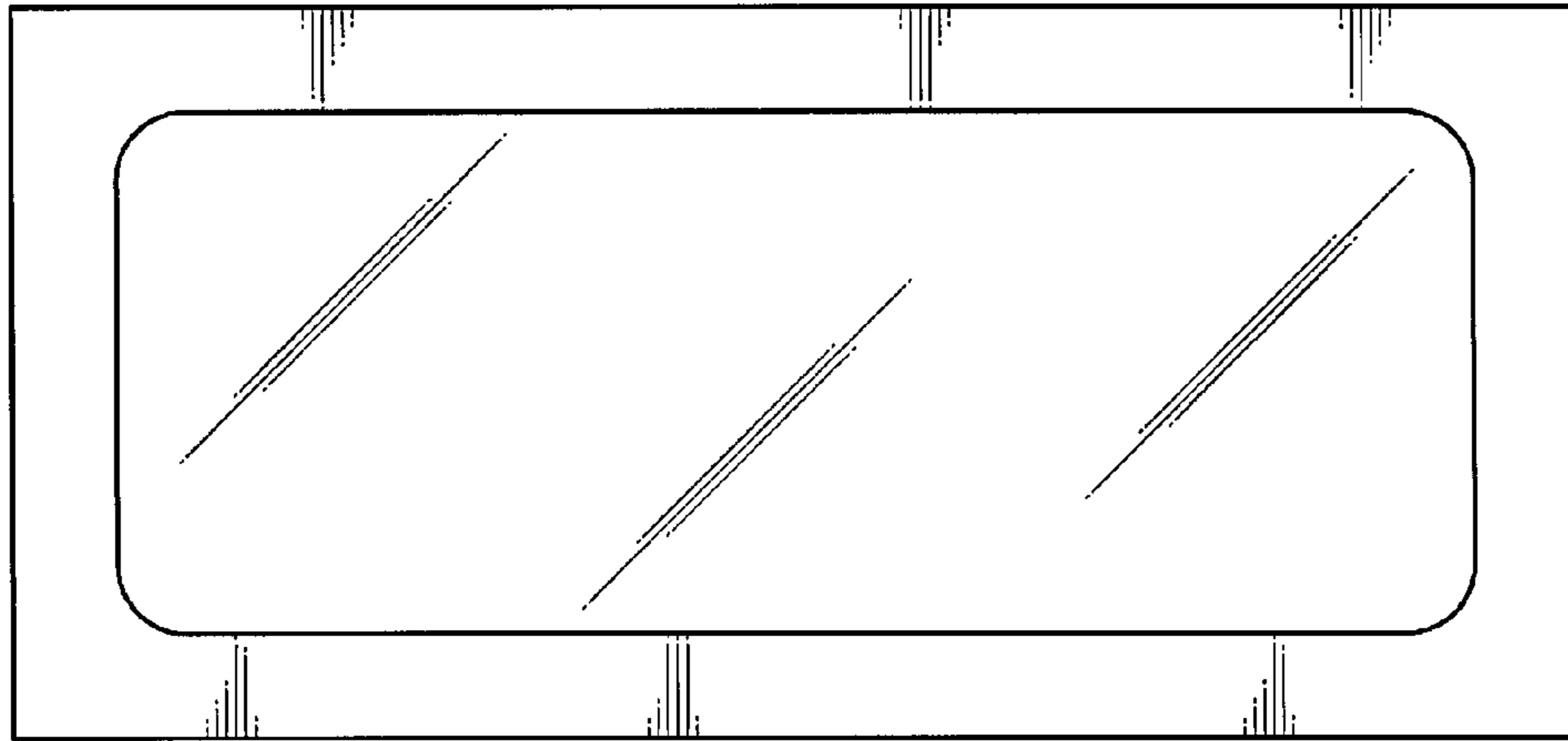


FIG. 3

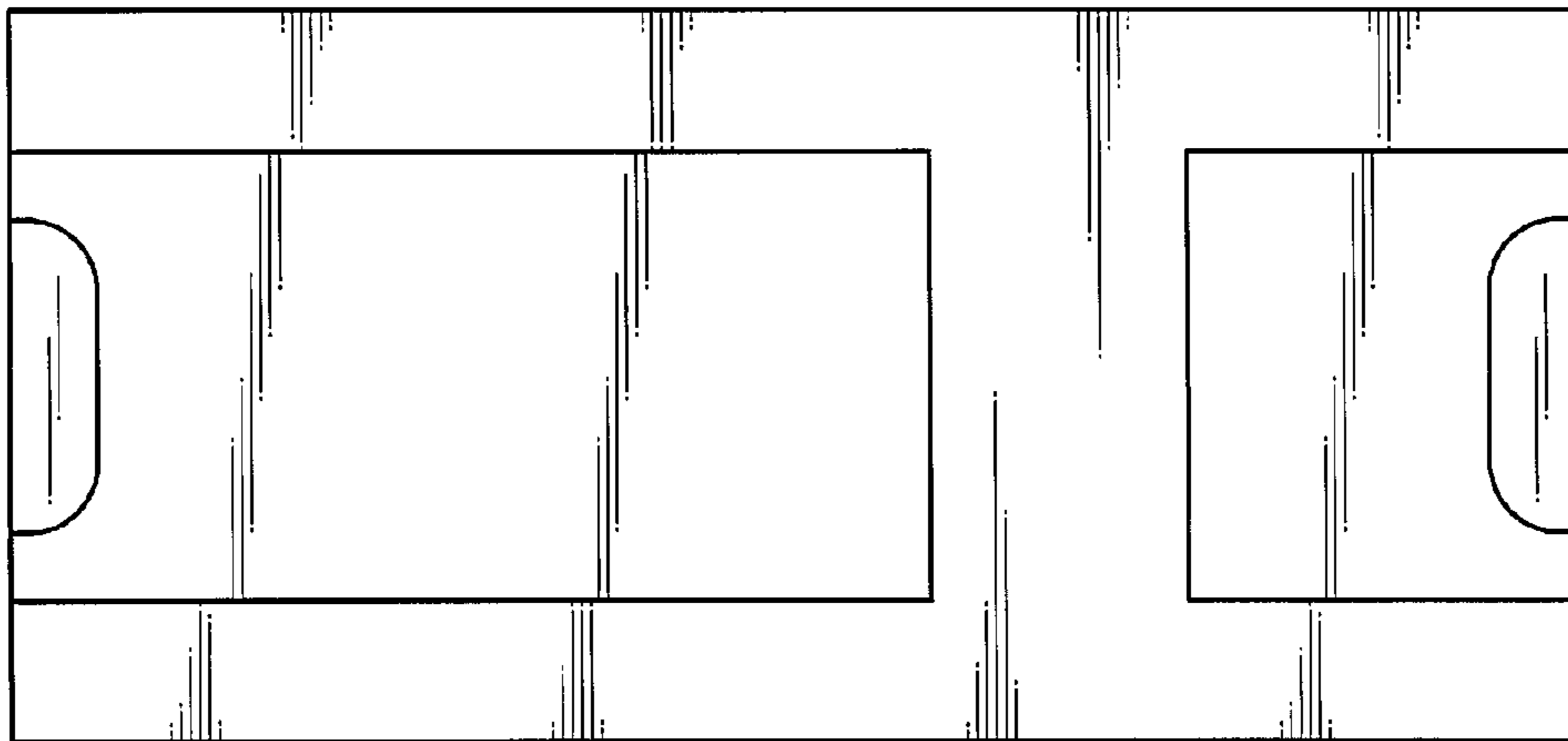


FIG. 4

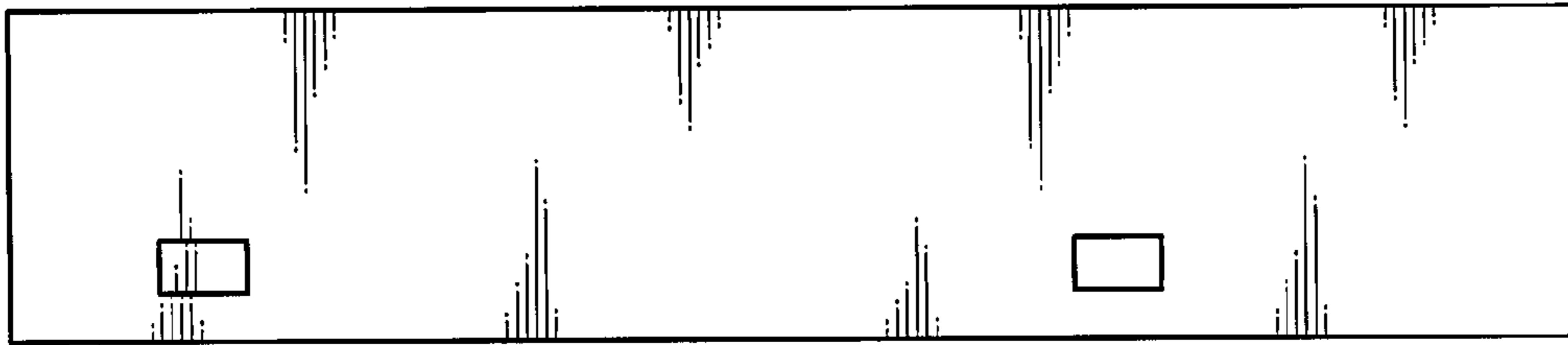


FIG. 5

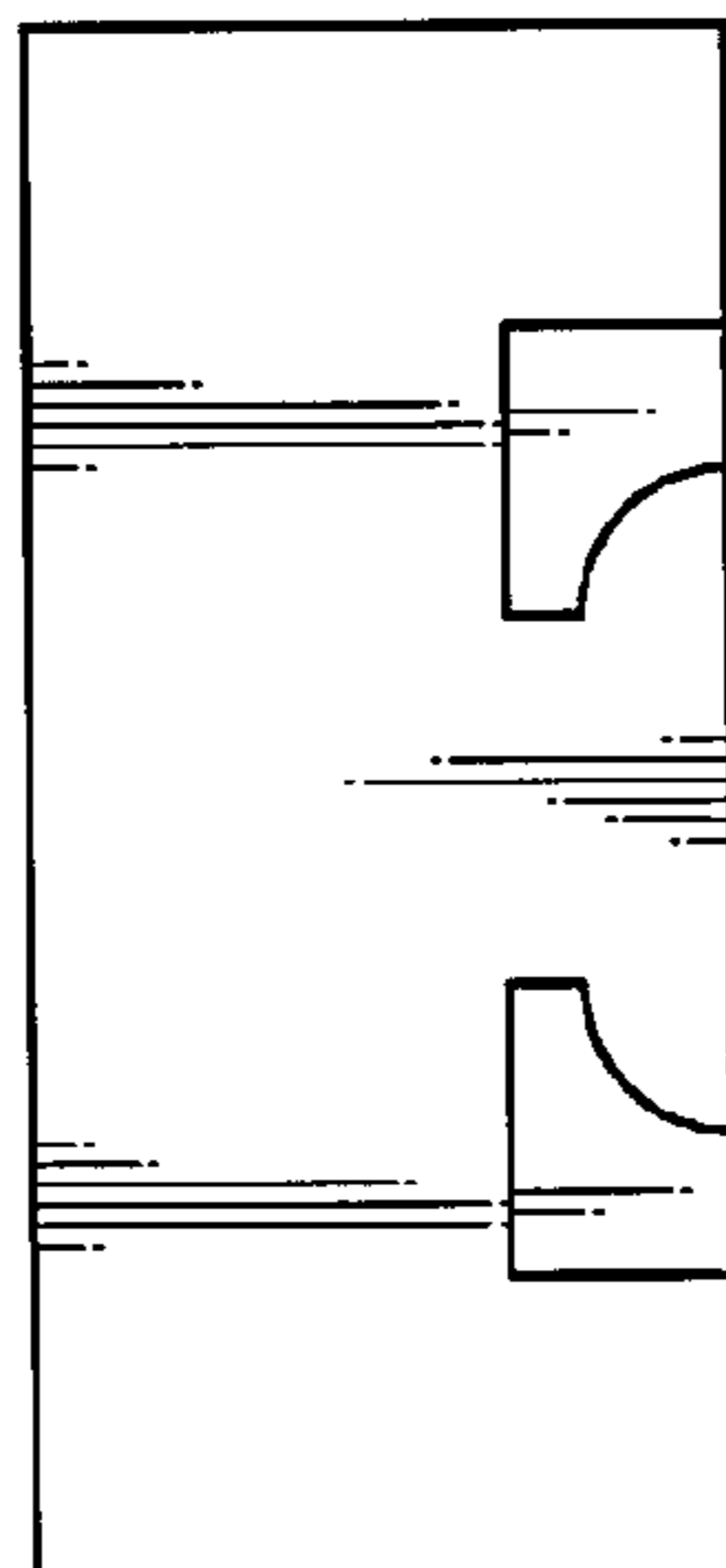


FIG. 6