

US00D710315S

(12) **United States Design Patent**
Tsai

(10) **Patent No.:** **US D710,315 S**

(45) **Date of Patent:** **** Aug. 5, 2014**

- (54) **HANDHELD CONTROLLER**
- (71) Applicant: **Timotion Technology Co., Ltd.**, New Taipei (TW)
- (72) Inventor: **Chun-Yi Tsai**, New Taipei (TW)
- (73) Assignee: **Timotion Technology Co, Ltd.**, New Taipei (TW)
- (**) Term: **14 Years**
- (21) Appl. No.: **29/471,233**
- (22) Filed: **Oct. 30, 2013**
- (51) **LOC (10) Cl.** **14-03**
- (52) **U.S. Cl.**
USPC **D13/168**
- (58) **Field of Classification Search**
USPC D13/168; D10/49, 104.1, 106.1;
D14/218; D24/200; 341/176; 345/169,
345/173; 455/352; 340/4.3, 4.42, 12.22,
340/12.23, 12.24, 12.29, 12.3, 13.2, 13.21,
340/13.24; 601/15, 46, 49, 80; 700/17, 65,
700/83
See application file for complete search history.

D609,196	S	*	2/2010	Chiang et al.	D13/164
D617,744	S	*	6/2010	Landerholm et al.	D13/168
7,969,513	B1	*	6/2011	Weber	348/734
D662,066	S	*	6/2012	Seidl et al.	D13/168
8,254,137	B2	*	8/2012	Wilkolaski et al.	361/752
D673,061	S	*	12/2012	Wu	D10/49
2008/0273014	A1	*	11/2008	Lowles et al.	345/173
2009/0315850	A1	*	12/2009	Hotelling et al.	345/173
2013/0198959	A1	*	8/2013	Wu	5/611
2013/0265501	A1	*	10/2013	Murugesan et al.	348/734

* cited by examiner

Primary Examiner — Selina Sikder

(74) *Attorney, Agent, or Firm* — Chun-Ming Shih; HDLS IPR Services

(57) **CLAIM**

The ornamental design for a handheld controller, as shown and described.

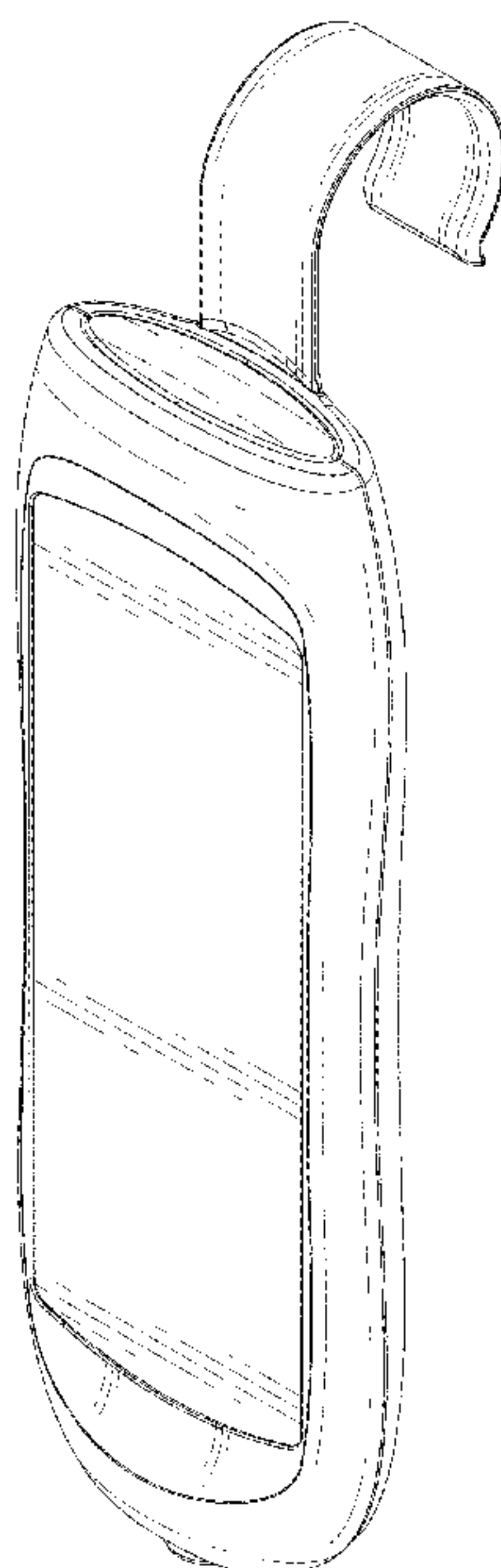
DESCRIPTION

FIG. 1 is a perspective view of a handheld controller showing my new design;
 FIG. 2 is a front view thereof;
 FIG. 3 is a rear view thereof;
 FIG. 4 is a left side view thereof;
 FIG. 5 is a right side view thereof;
 FIG. 6 is a top view thereof;
 FIG. 7 is a bottom view thereof; and
 FIG. 8 is the other perspective view showing the handheld controller; and,
 FIG. 9 is a perspective view of the handheld controller for reference.

The broken lines shown represent unclaimed subject matter and form no part of the claimed design.

1 Claim, 8 Drawing Sheets

- (56) **References Cited**
U.S. PATENT DOCUMENTS
D443,596 S * 6/2001 Ohkuma D13/168
D468,021 S * 12/2002 Gerth et al. D24/200
6,900,795 B1 * 5/2005 Knight et al. 345/173
D530,680 S * 10/2006 Fox et al. D13/168
D572,205 S * 7/2008 Landerholm et al. D13/168
D595,668 S * 7/2009 Lasky et al. D13/168



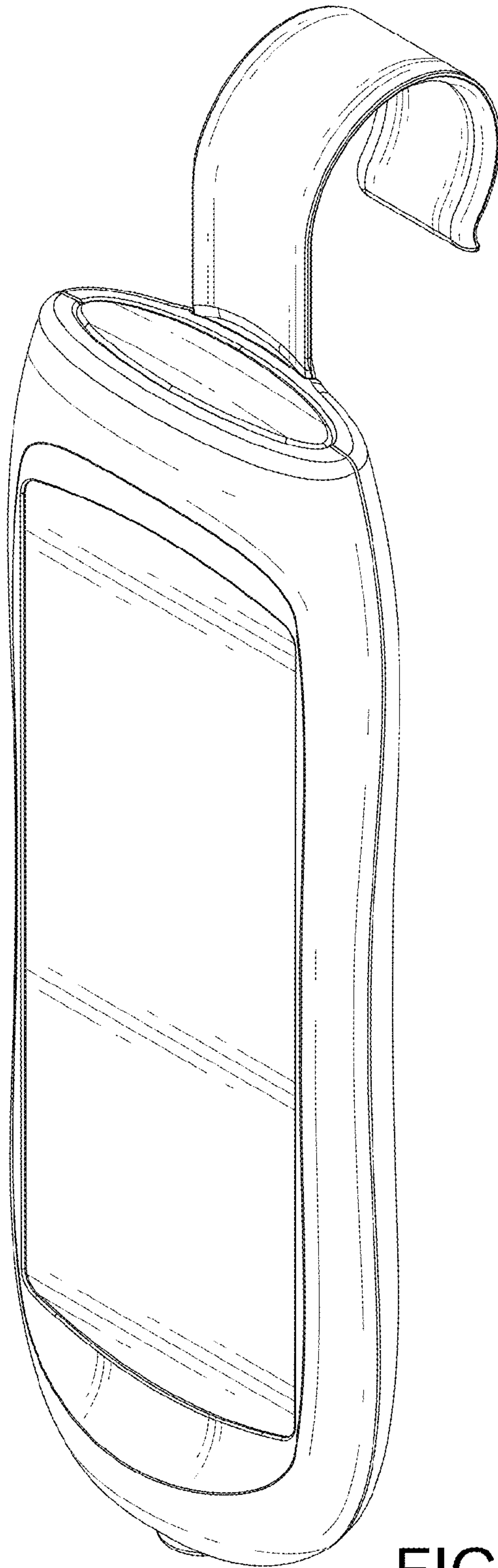


FIG. 1

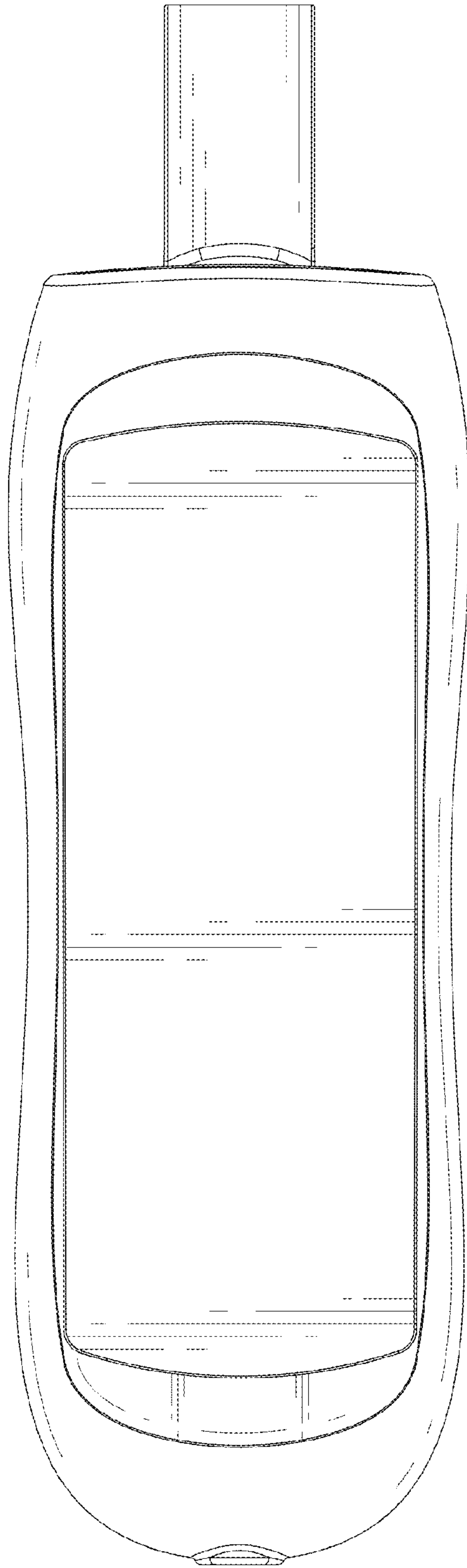


FIG.2

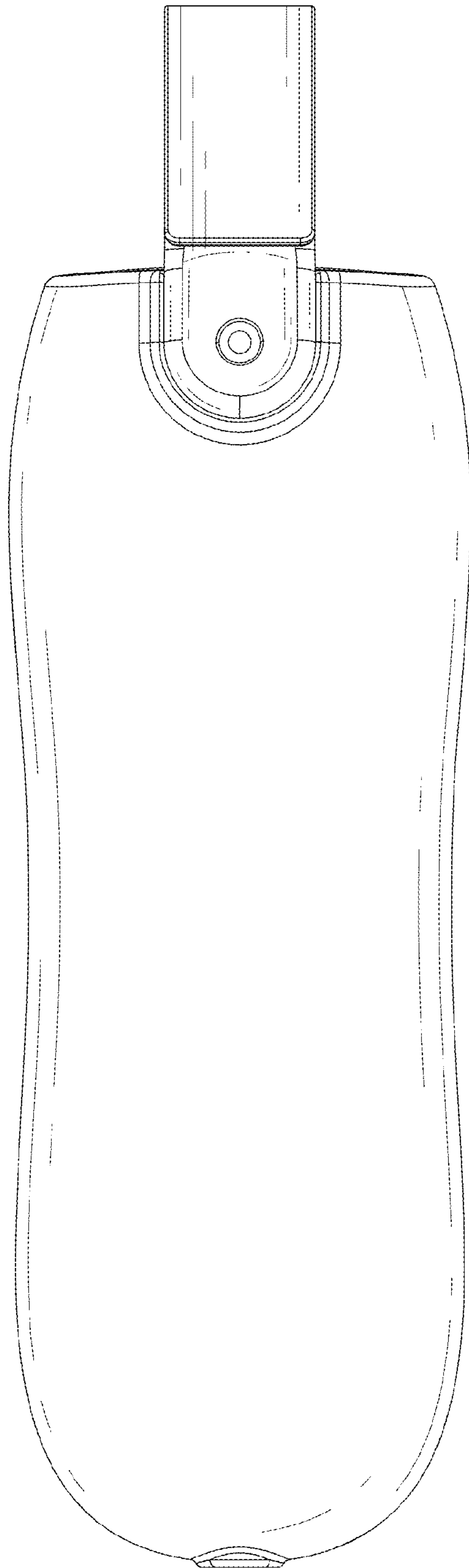


FIG.3

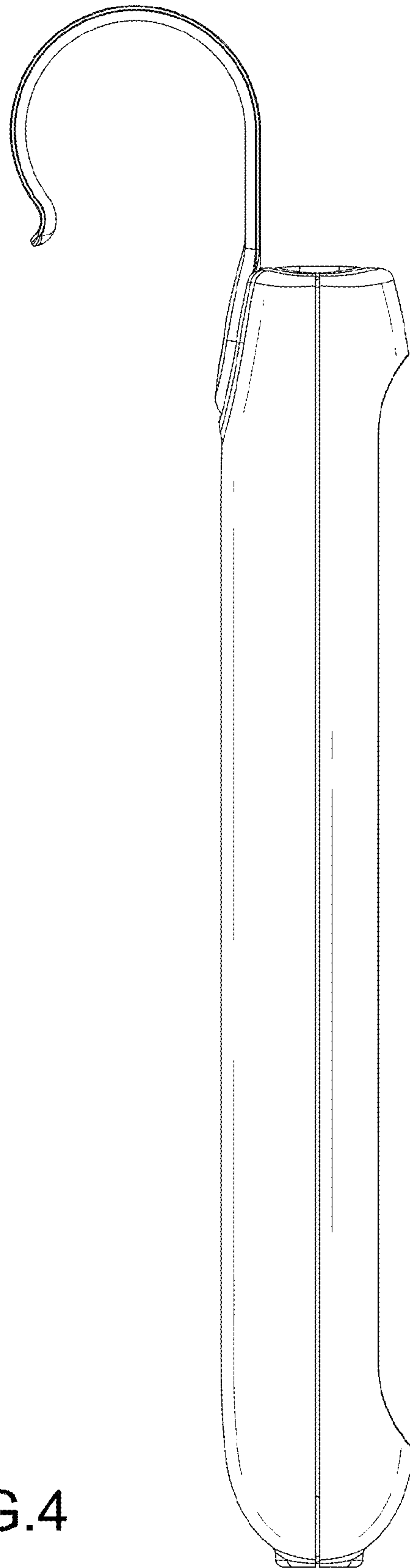


FIG.4

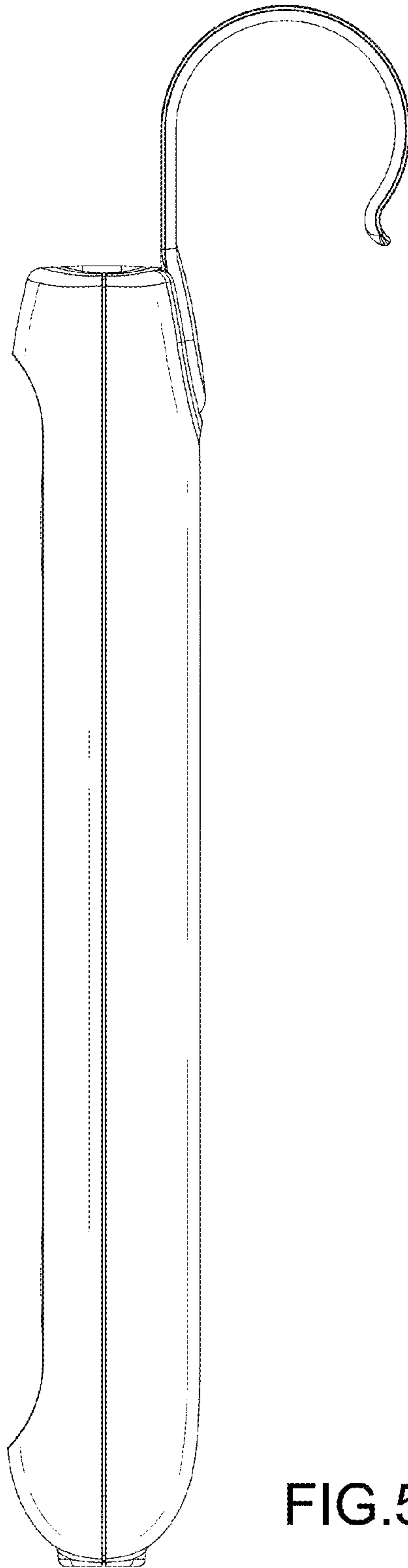


FIG. 5

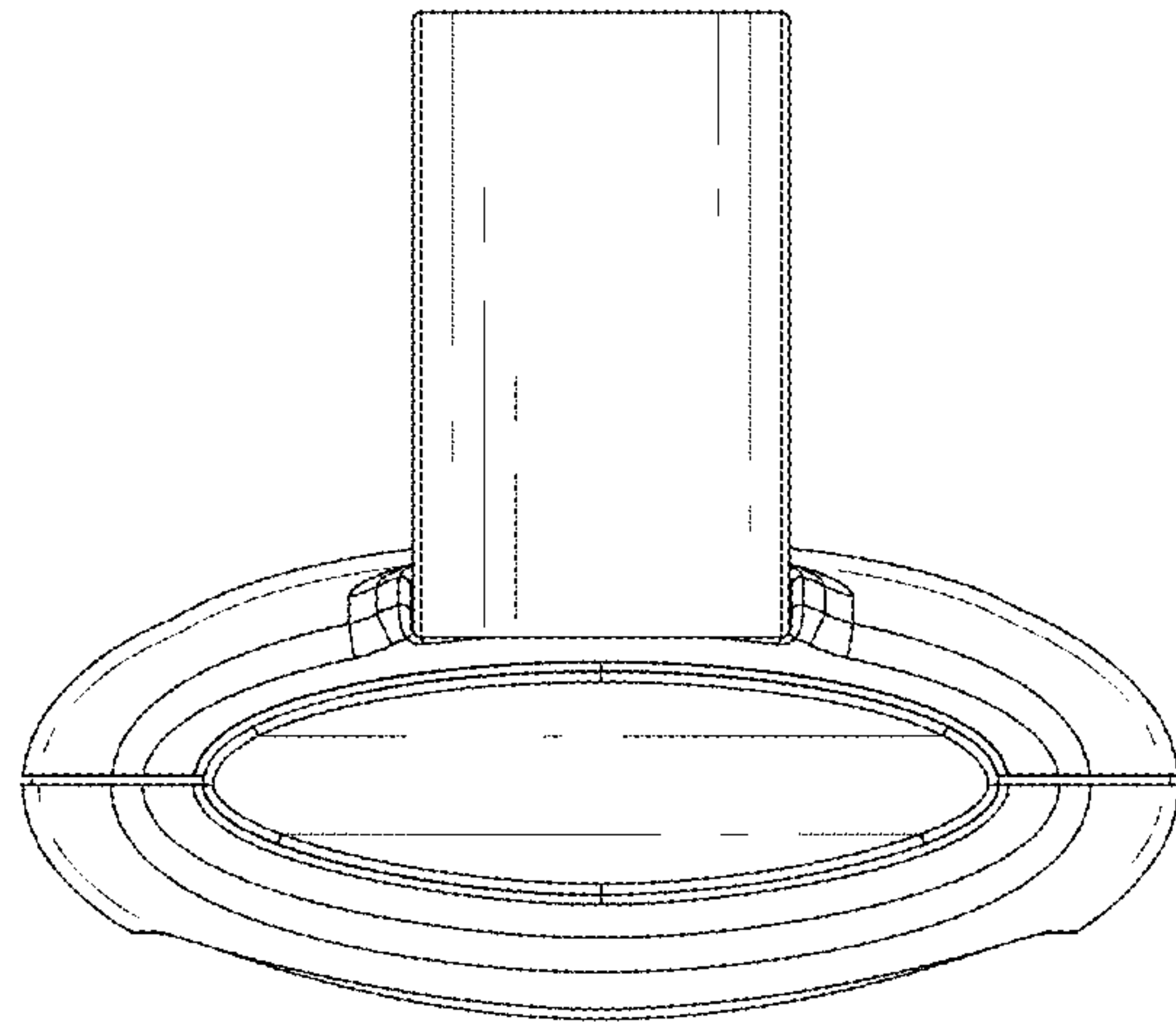


FIG. 6

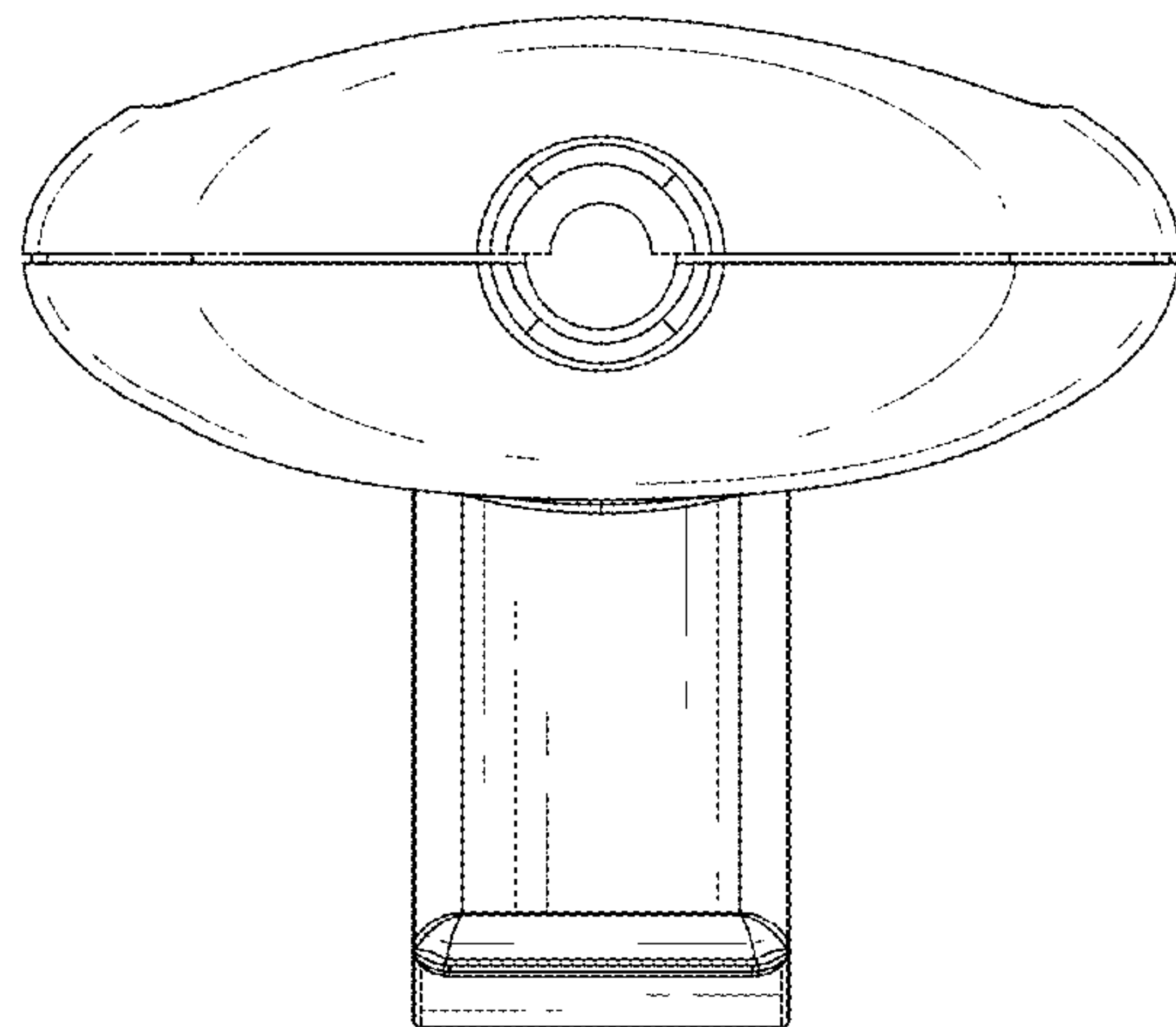


FIG. 7

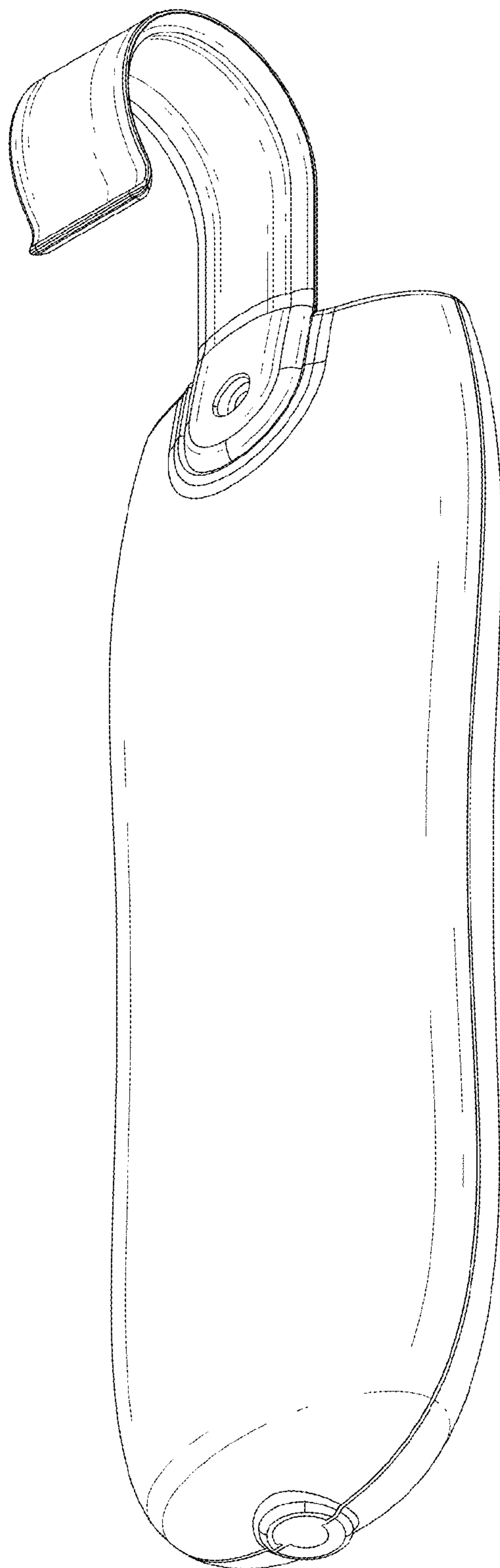


FIG.8

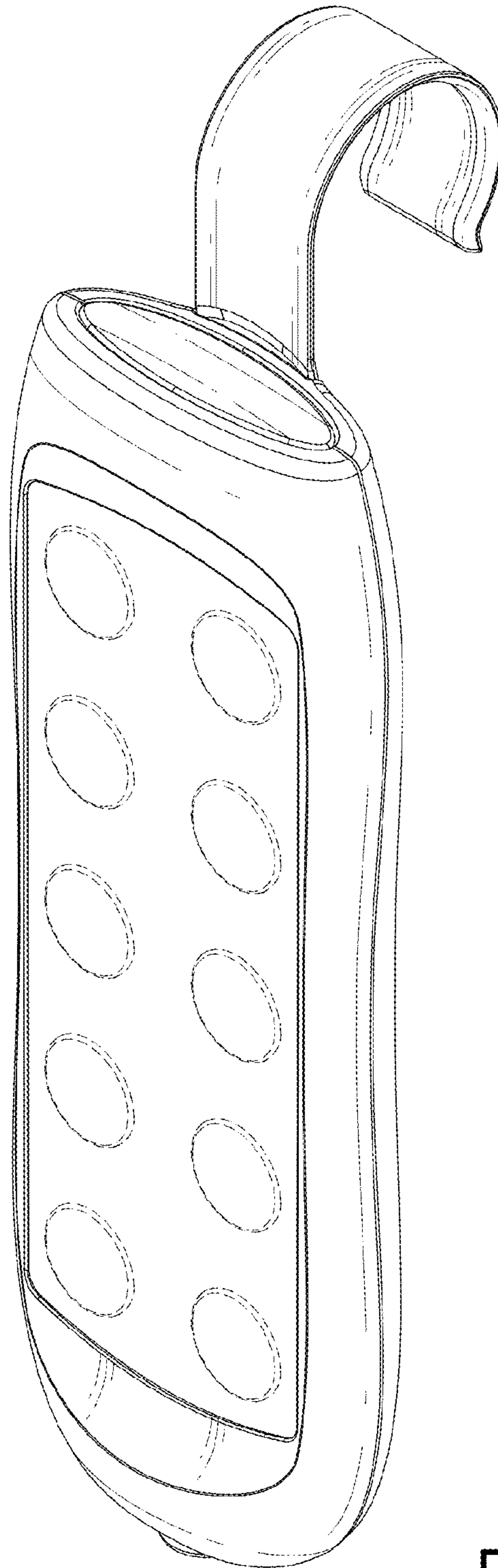


FIG.9