



US00D710312S

(12) **United States Design Patent**  
**Branson et al.**

(10) **Patent No.:** **US D710,312 S**

(45) **Date of Patent:** **\*\* Aug. 5, 2014**

(54) **ELECTRONIC CONTROL ENCLOSURE**

(71) Applicant: **Rheem Manufacturing Company**,  
Atlanta, GA (US)

(72) Inventors: **Michael Wesley Branson**, Noblesville,  
IN (US); **Josué Figueroa Gonzalez**,  
Nuevo Laredo (MX); **Scott Michael  
Cline**, New Albany, OH (US)

(\*\*) Term: **14 Years**

(21) Appl. No.: **29/460,060**

(22) Filed: **Jul. 8, 2013**

(51) **LOC (10) Cl.** ..... **13-03**

(52) **U.S. Cl.**  
USPC ..... **D13/162**

(58) **Field of Classification Search**  
USPC ..... 312/223.1, 223.2; 220/3.2, 3.3, 3.8,  
220/4.02; 361/679.01, 730; D10/49, 125;  
D13/162, 162.1; D15/28  
See application file for complete search history.

(56) **References Cited**

**U.S. PATENT DOCUMENTS**

D446,193 S \* 8/2001 Lavelle et al. .... D14/126  
D566,660 S \* 4/2008 Ludwig et al. .... D13/162  
D566,661 S \* 4/2008 Ludwig et al. .... D13/162  
D627,799 S \* 11/2010 Berning et al. .... D15/28

D627,801 S \* 11/2010 Berning et al. .... D15/28  
D628,603 S \* 12/2010 Berning et al. .... D15/28  
8,430,256 B2 \* 4/2013 Allore et al. .... 220/4.02  
D691,096 S \* 10/2013 Beroukas et al. .... D13/162  
D694,195 S \* 11/2013 Gammon et al. .... D13/162  
D703,156 S \* 4/2014 Parsons et al. .... D13/164  
D703,158 S \* 4/2014 Parsons et al. .... D13/177

\* cited by examiner

*Primary Examiner* — Deanna L Pratt

*Assistant Examiner* — Harold Blackwell, II

(57) **CLAIM**

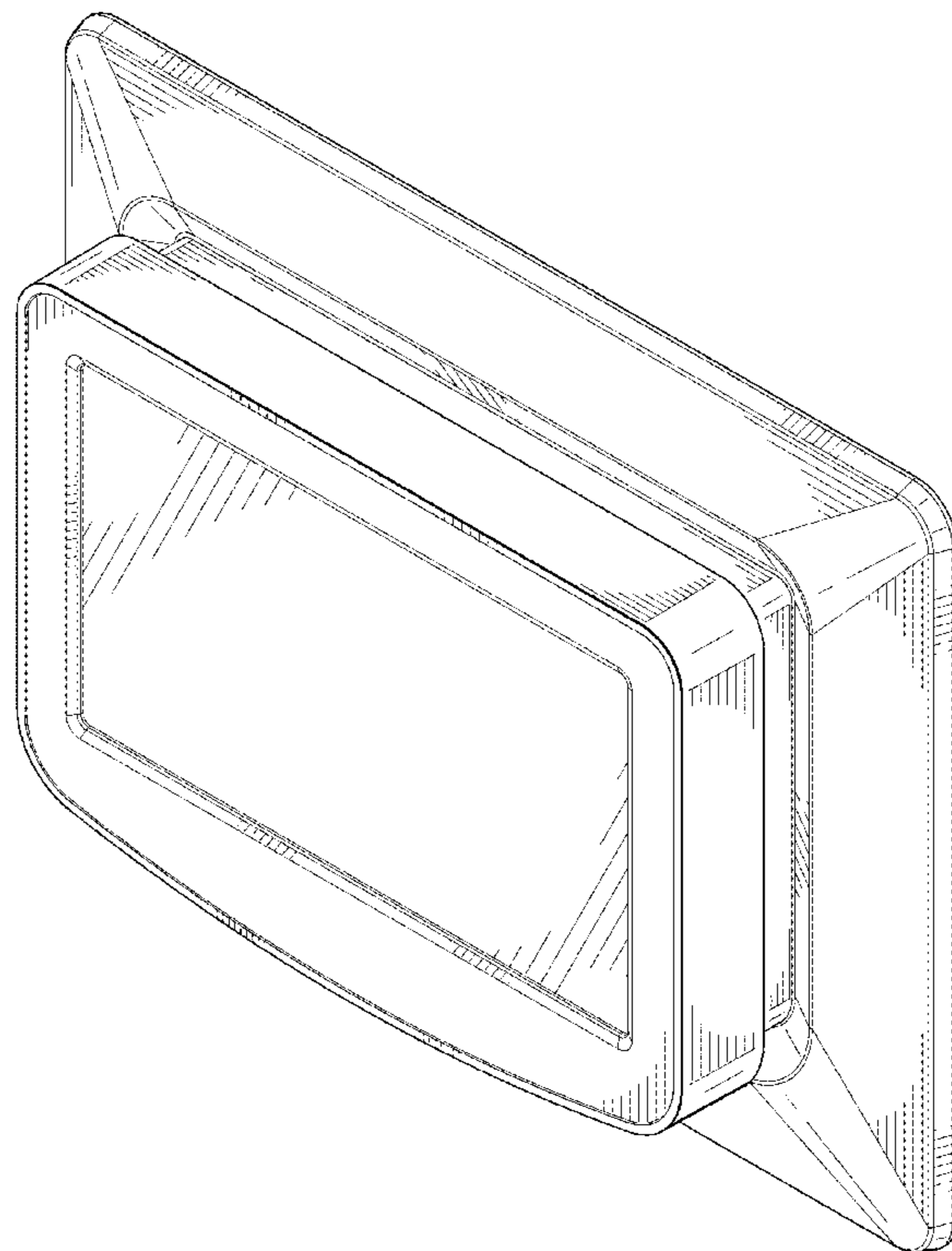
The ornamental design for an electronic control enclosure, as shown and described.

**DESCRIPTION**

FIG. 1 is a perspective view of an electronic control enclosure showing our new design;  
FIG. 2 is another perspective view thereof;  
FIG. 3 is a front elevational view thereof;  
FIG. 4 is a rear elevational view thereof;  
FIG. 5 is a right side elevational view thereof;  
FIG. 6 is a left side elevational view thereof;  
FIG. 7 is a top plan view thereof; and,  
FIG. 8 is a bottom plan view thereof.

The broken lines in FIGS. 2, 5, 6, and 8 illustrate portions of the electronic control enclosure which form no part of the claimed design. The broken lines in FIG. 4 illustrate the bounds of the claim and form no part of the claimed design.

**1 Claim, 6 Drawing Sheets**



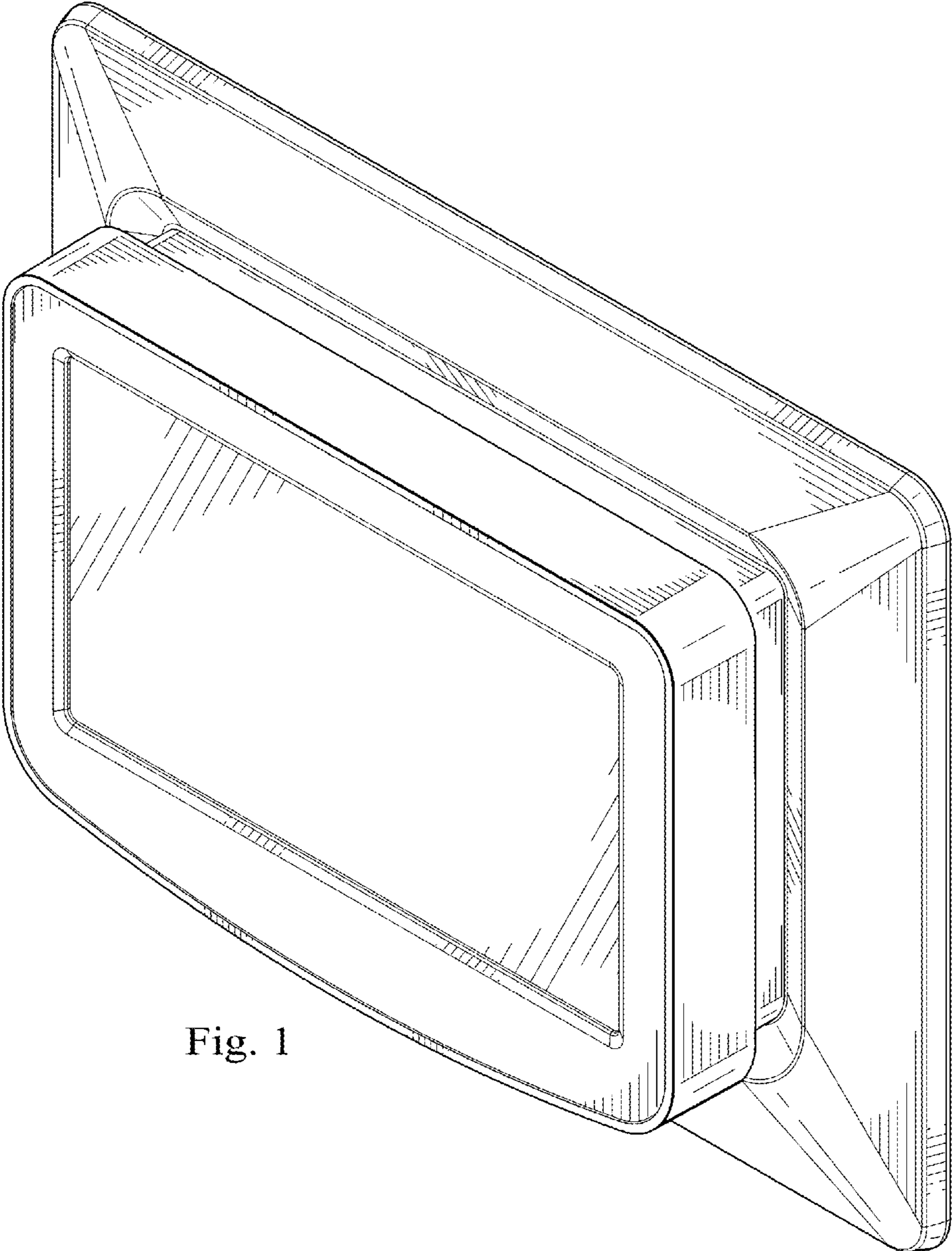


Fig. 1

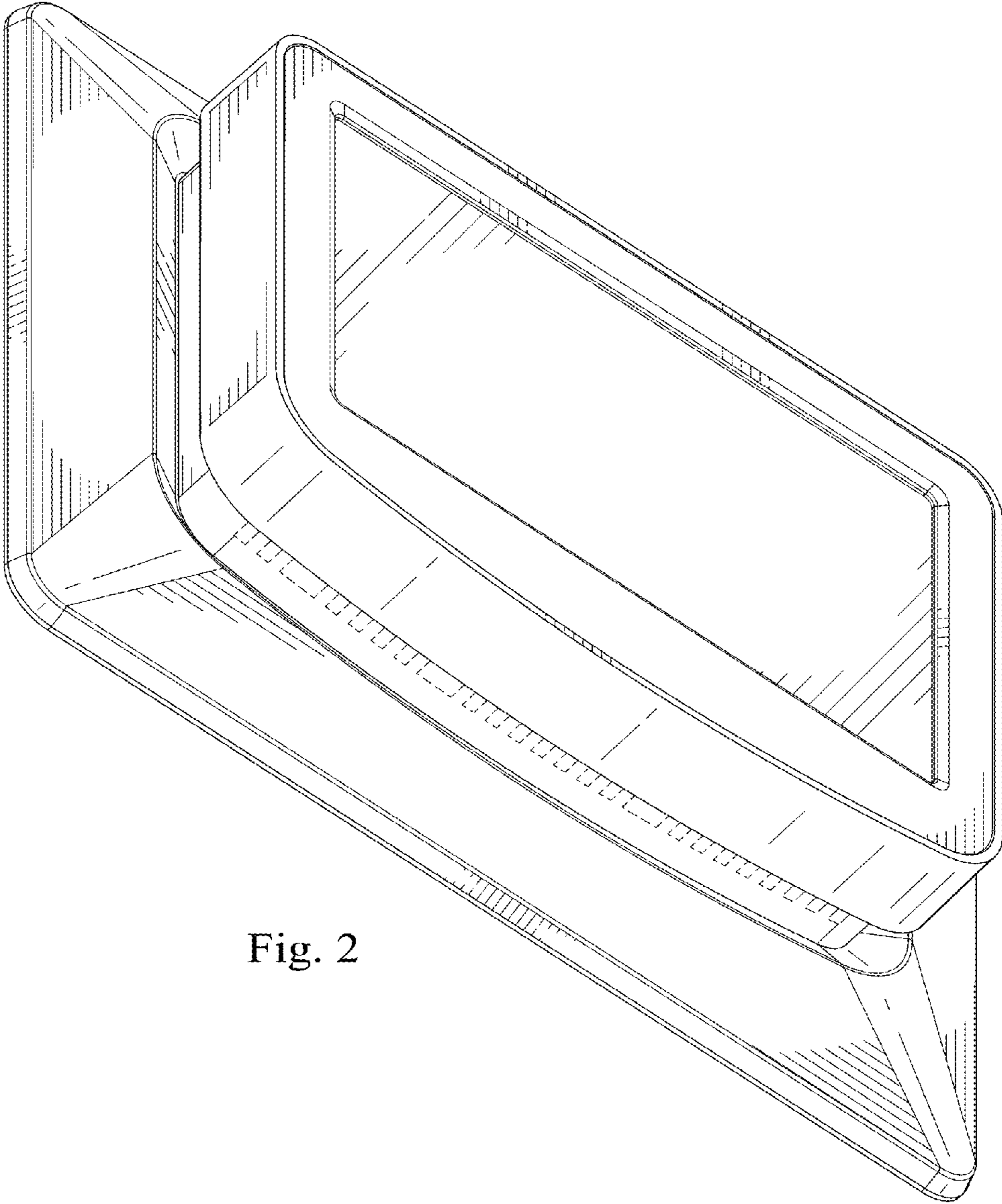


Fig. 2

Fig. 3

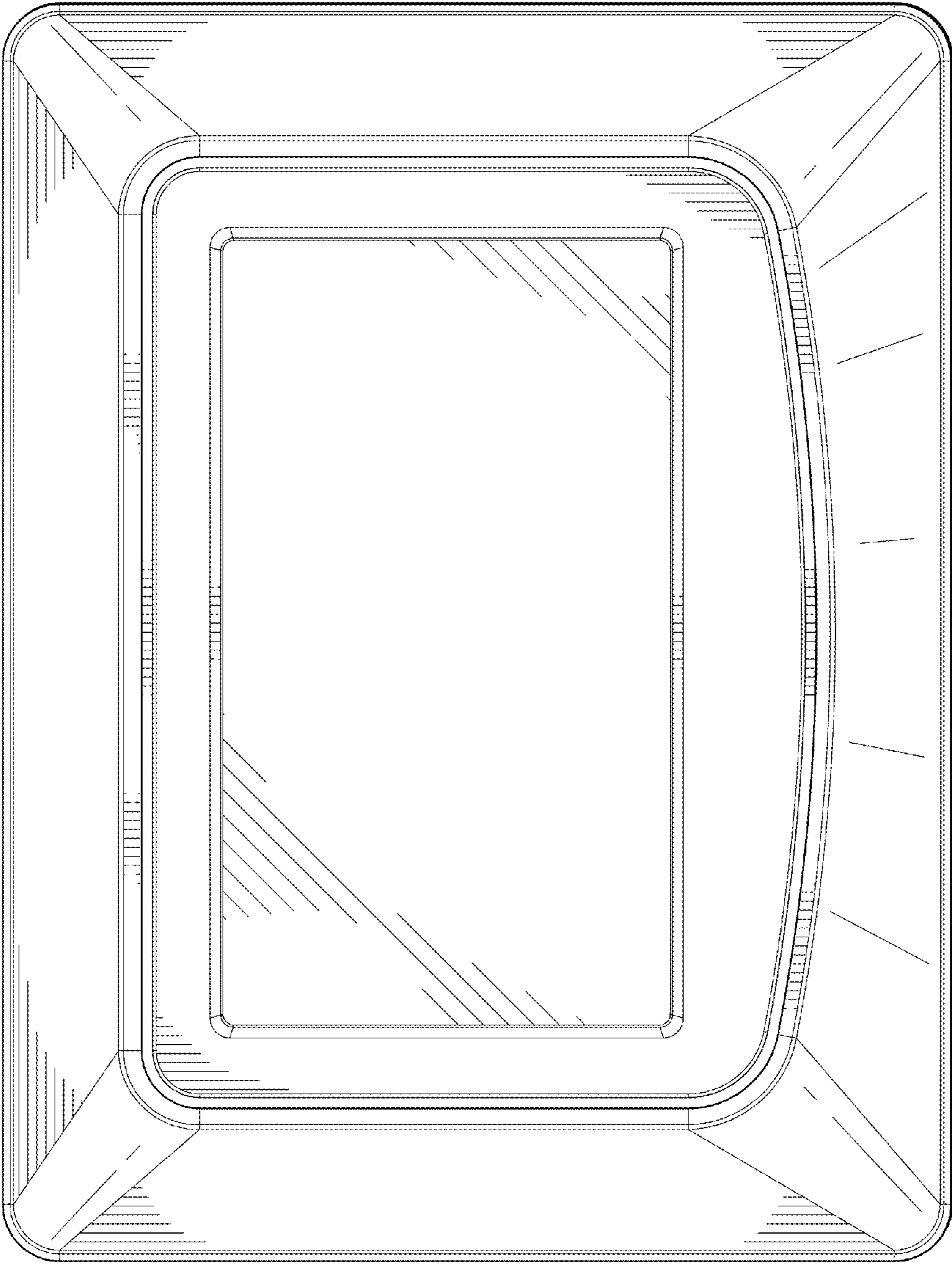


Fig. 4

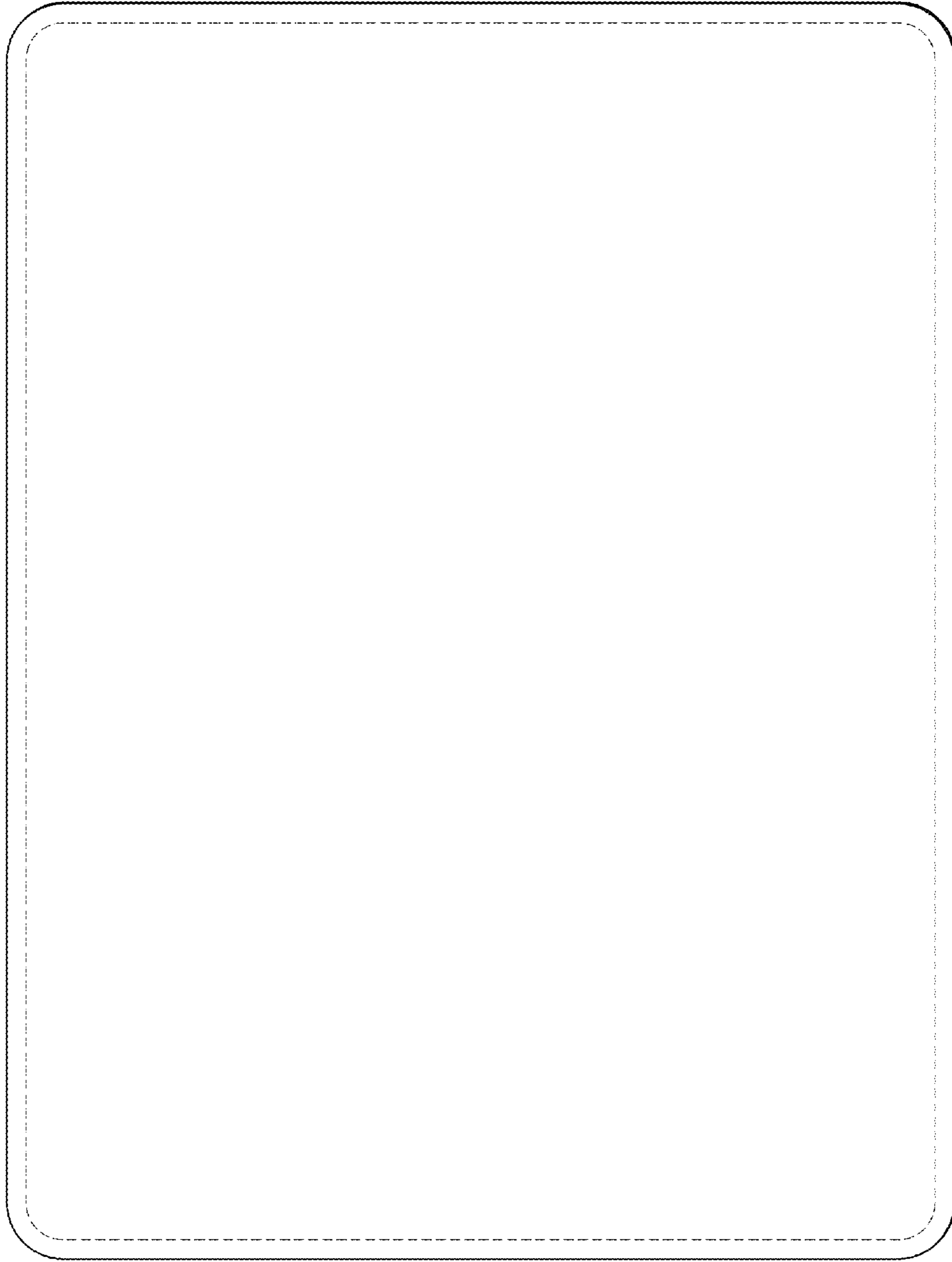


Fig. 6

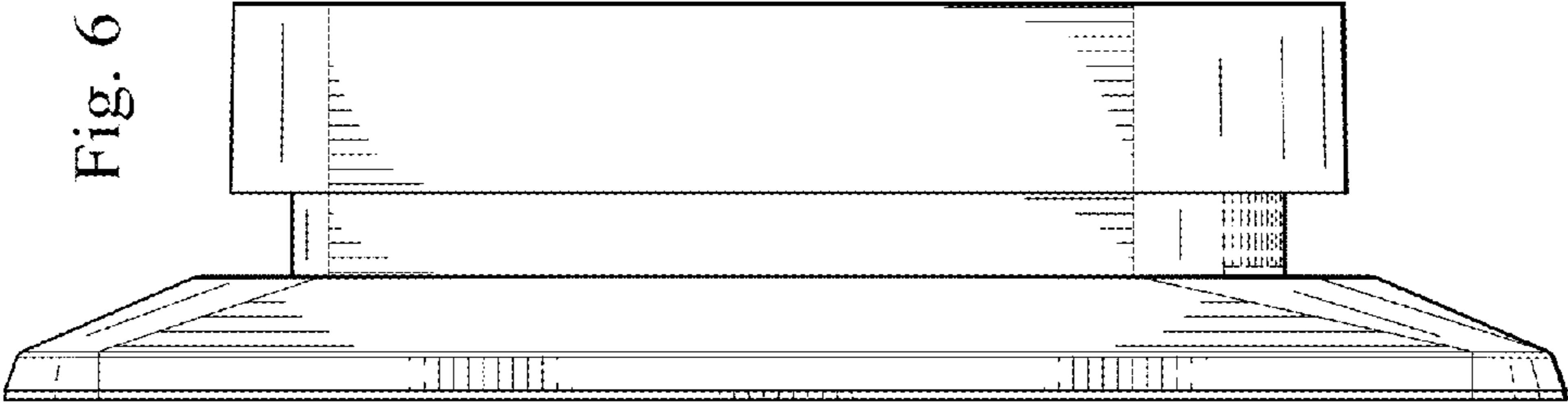
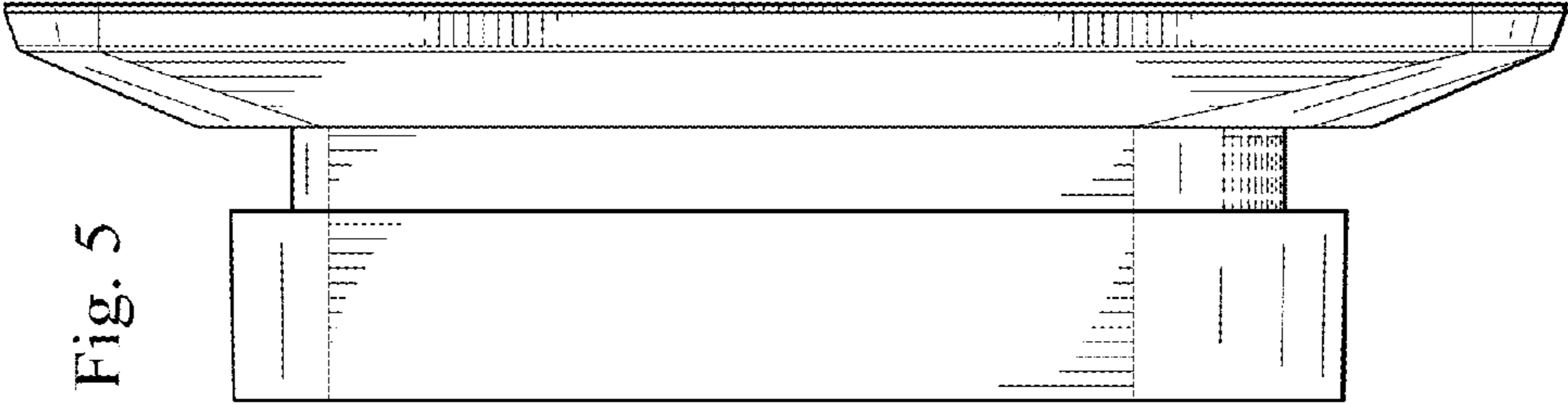


Fig. 5



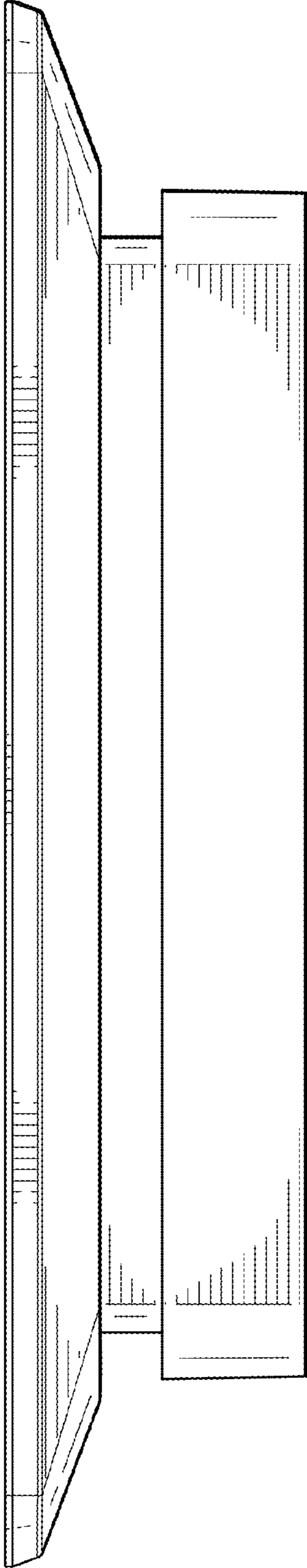


Fig. 7

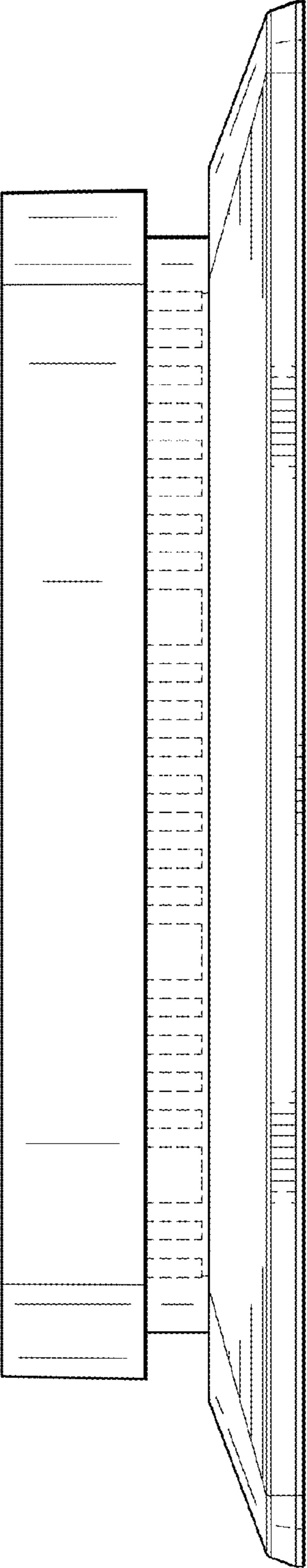


Fig. 8