



US00D710309S

(12) **United States Design Patent**
Arai et al.

(10) **Patent No.:** **US D710,309 S**
(45) **Date of Patent:** **** Aug. 5, 2014**

(54) **MAIN COMPONENT UNIT OF AN ELECTRICAL CONNECTOR**

(71) Applicant: **Hosiden Corporation**, Yao (JP)

(72) Inventors: **Junichi Arai**, Isesaki (JP); **Takao Asano**, Isesaki (JP)

(73) Assignee: **Hosiden Corporation**, Yao-shi (JP)

(**) Term: **14 Years**

(21) Appl. No.: **29/467,959**

(22) Filed: **Sep. 25, 2013**

(30) **Foreign Application Priority Data**

Mar. 26, 2013 (JP) D2013-006551

(51) **LOC (10) Cl.** **13-03**

(52) **U.S. Cl.**
USPC **D13/147**

(58) **Field of Classification Search**

USPC D13/147, 154, 184, 199; 439/79, 108, 439/135, 180, 246, 278, 291, 328, 344, 350, 439/353, 357, 358, 374, 378, 381, 391, 489, 439/509, 527, 529, 530, 533, 587, 594, 598, 439/607.01, 607.04, 607.05, 607.17, 439/607.25, 607.34, 607.41, 607.53, 626, 439/629, 637, 656, 660, 668, 676, 680, 711, 439/745, 752, 892, 894

See application file for complete search history.

(56) **References Cited**

U.S. PATENT DOCUMENTS

6,238,235 B1 * 5/2001 Shavit et al. 439/418
D518,440 S * 4/2006 Chang D13/147

D524,742 S * 7/2006 Kumagai D13/147
D564,966 S * 3/2008 Shifris D13/147
D626,077 S * 10/2010 Huang D13/147
D684,931 S * 6/2013 Lin et al. D13/147
2002/0028604 A1 * 3/2002 Lo et al. 439/607
2004/0115983 A1 * 6/2004 Liang 439/344
2006/0063415 A1 * 3/2006 de Vanssay et al. 439/350

* cited by examiner

Primary Examiner — Daniel Bui

(74) *Attorney, Agent, or Firm* — Kratz, Quintos & Hanson, LLP

(57) **CLAIM**

The ornamental design of a main component unit of an electrical connector, as shown and described.

DESCRIPTION

FIG. 1 is a front elevation view of a main component unit of an electrical connector showing our new design;

FIG. 2 is a back elevational view thereof;

FIG. 3 is a top plan view thereof;

FIG. 4 is a bottom plan view thereof;

FIG. 5 is a right side elevational view thereof; the left side elevational view being a mirror image thereof;

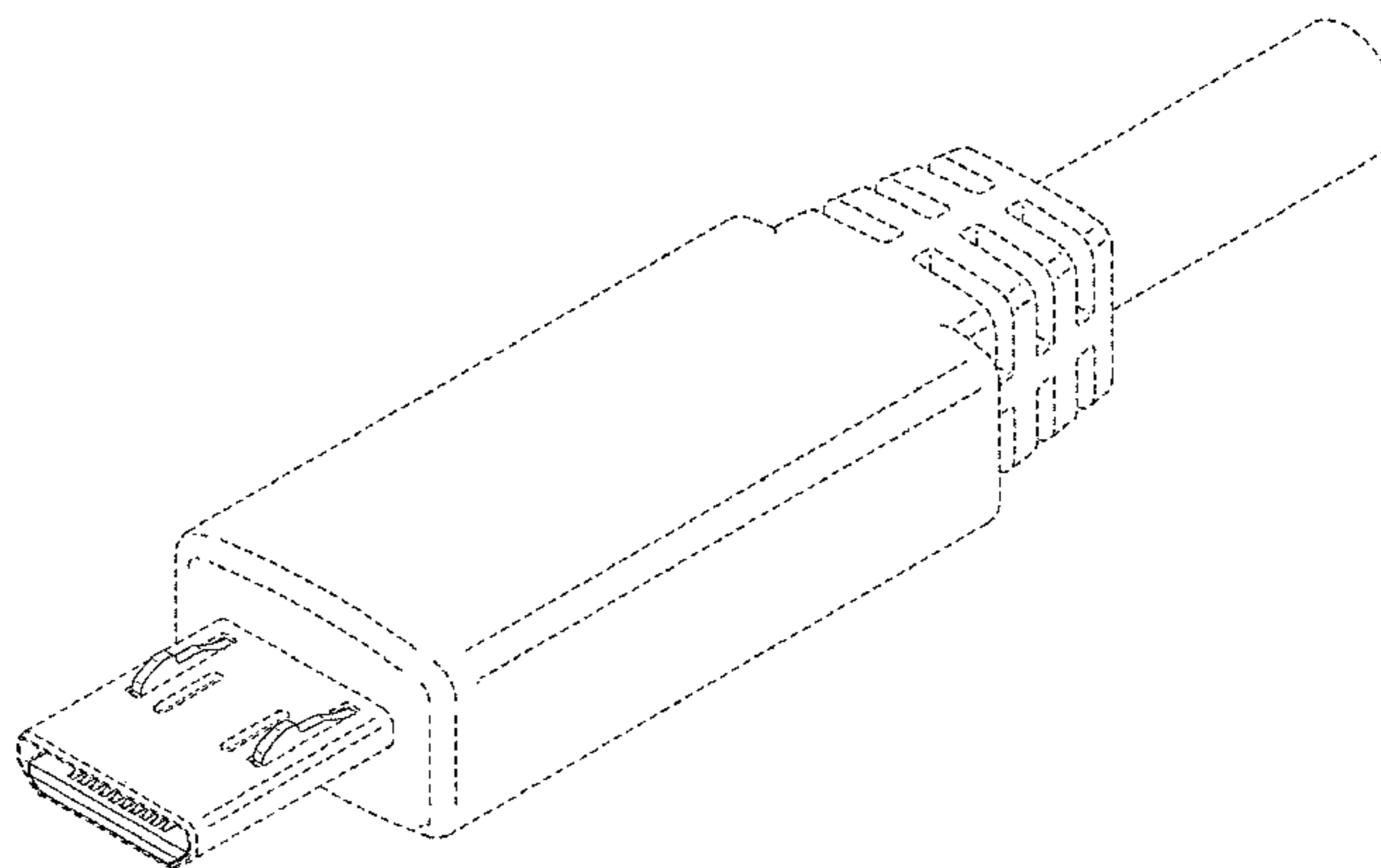
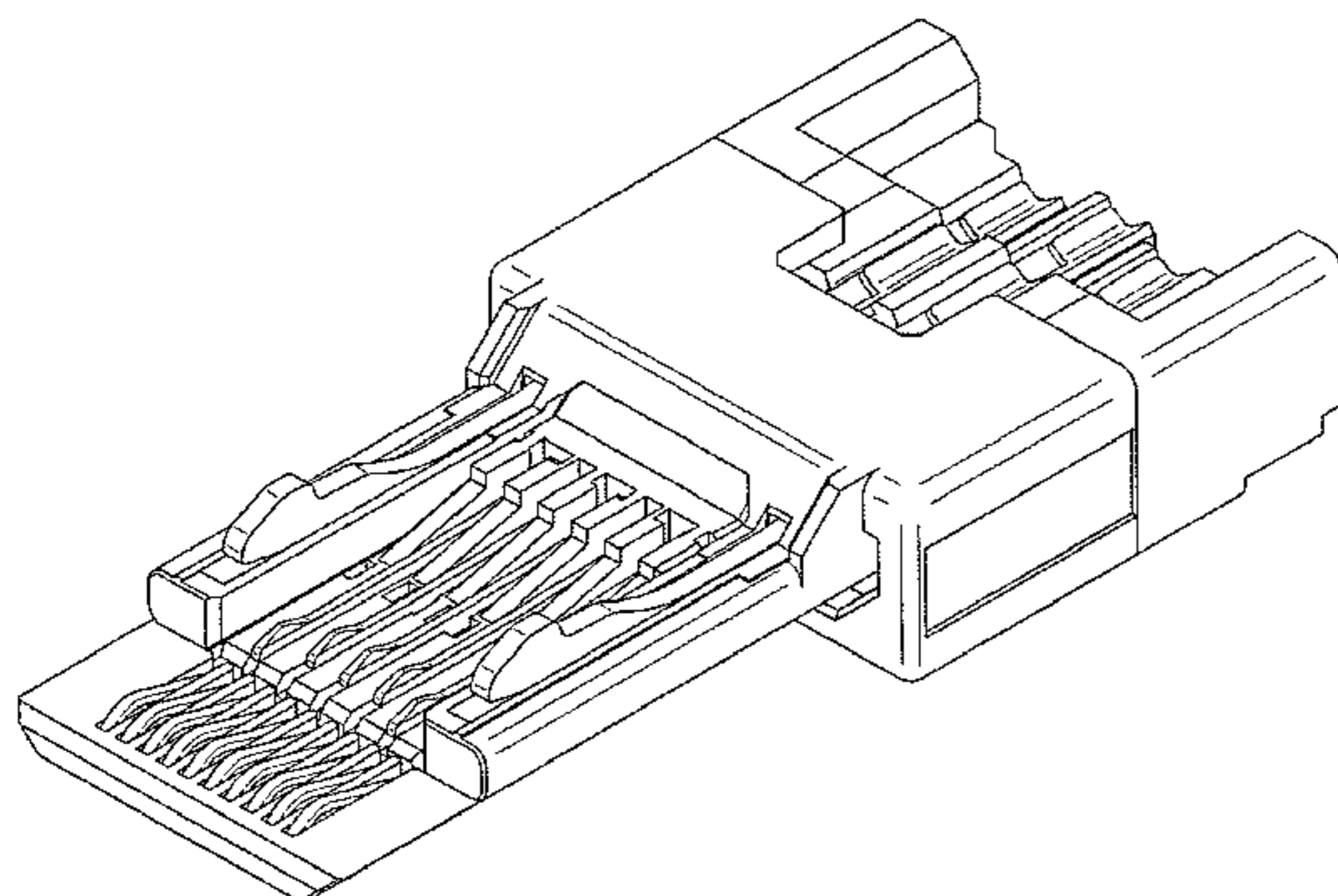
FIG. 6 is a top, front, and right side perspective view thereof; FIG. 7 is a bottom, front, and right side perspective view thereof;

FIG. 8 is a cross-sectional view thereof, taken along the line 8-8 of FIG. 3;

FIG. 9 is a top, front, and right side perspective view thereof, showing with environment in an exploded condition; and, FIG. 10 is a top and front perspective view thereof, in use condition.

The broken lines are included for the purpose of illustrating environmental structure and form no part of the claimed design.

1 Claim, 10 Drawing Sheets



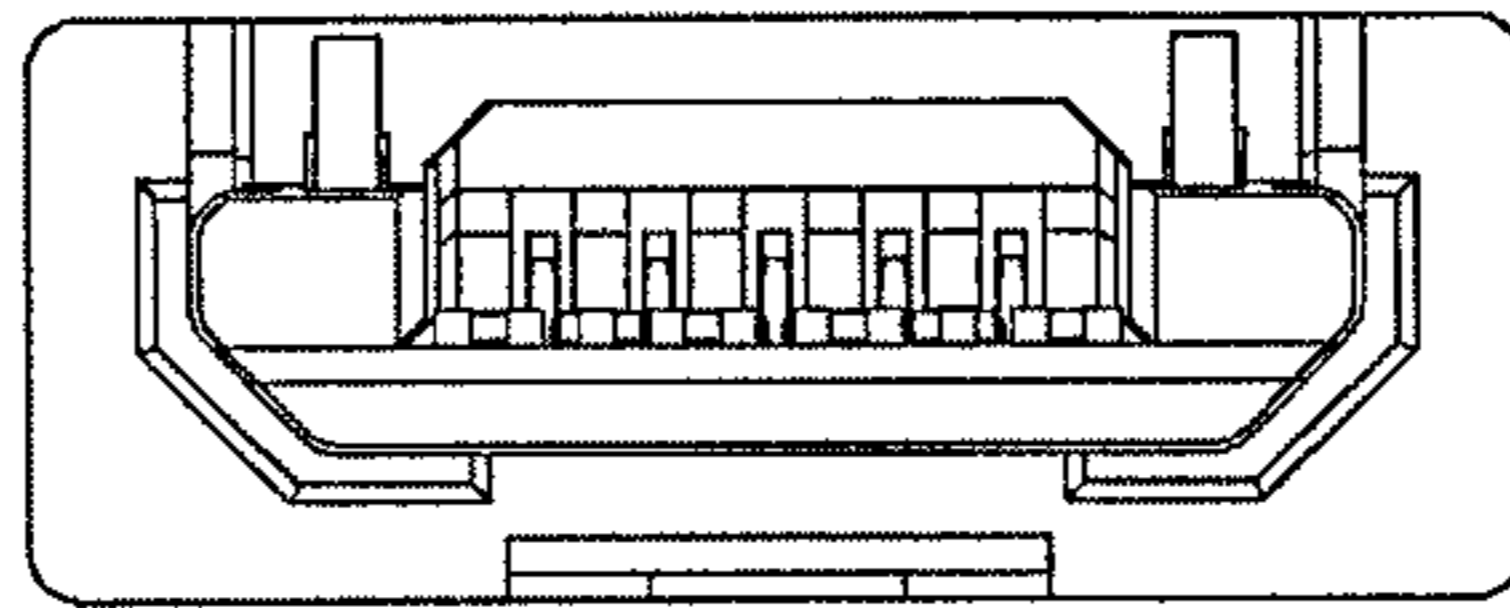


FIG. 1

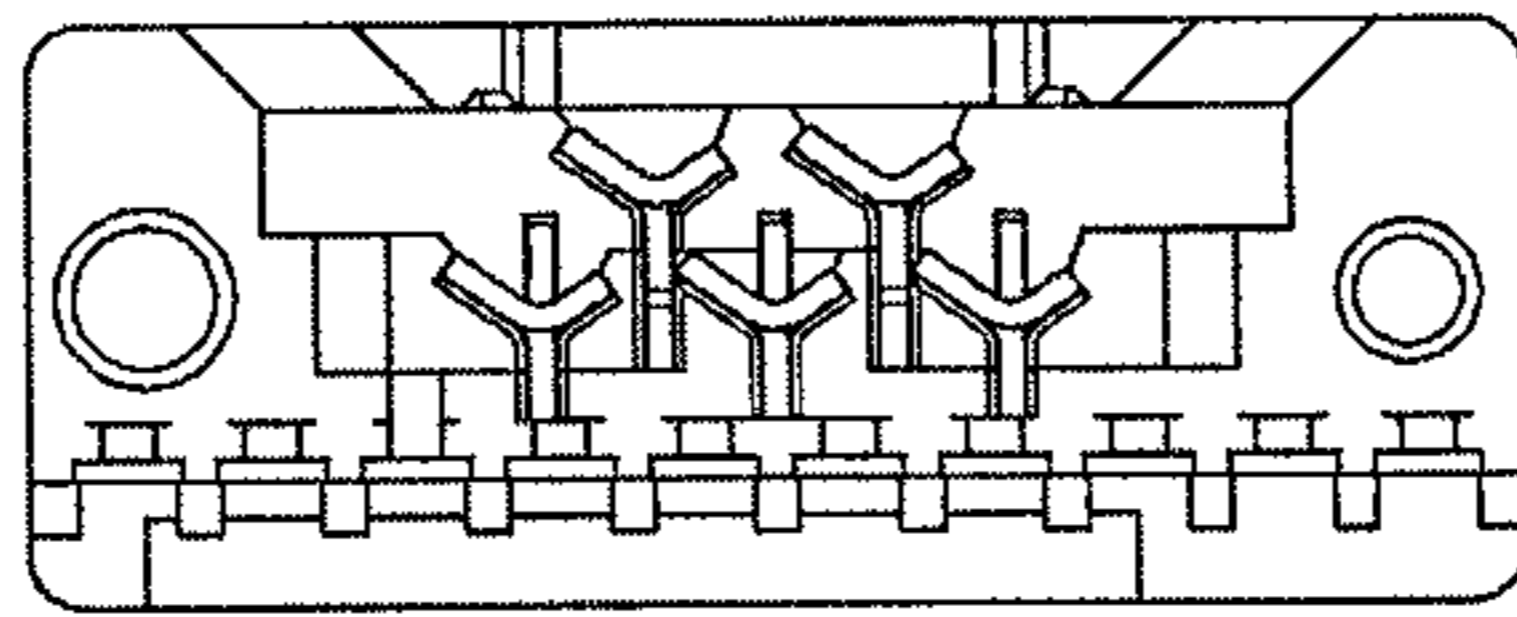


FIG. 2

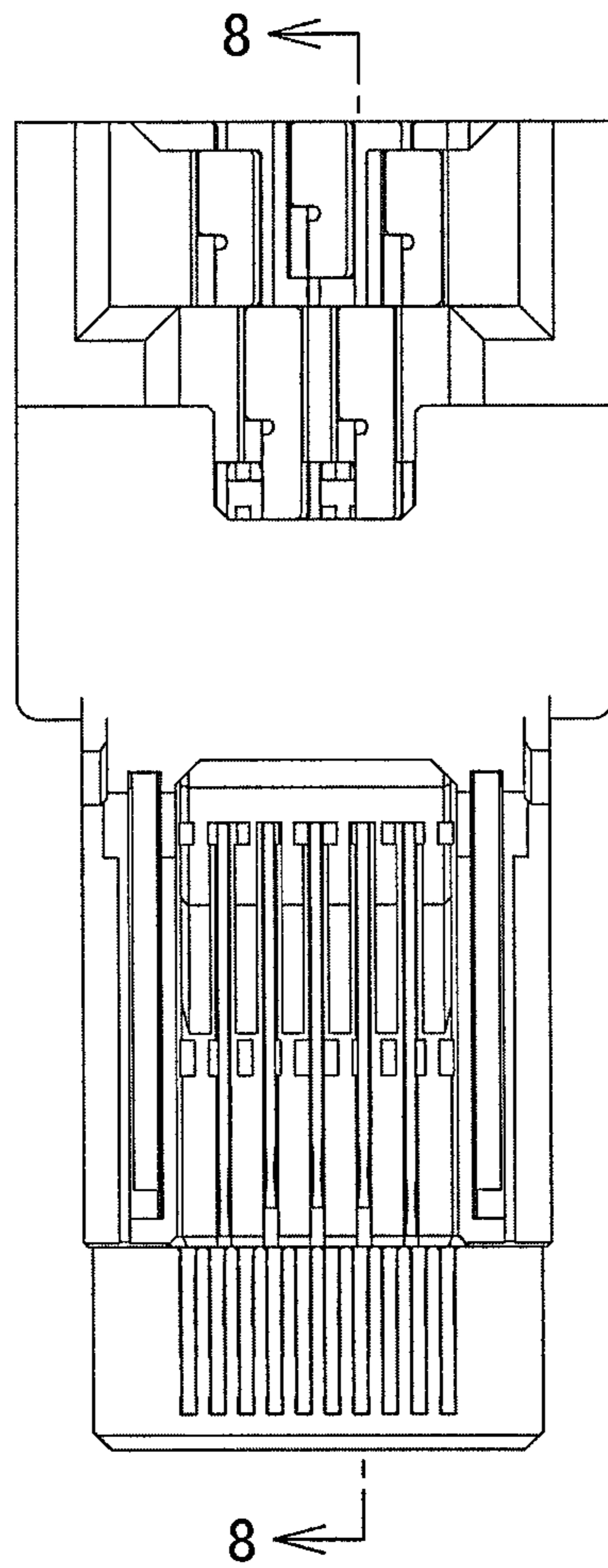


FIG. 3

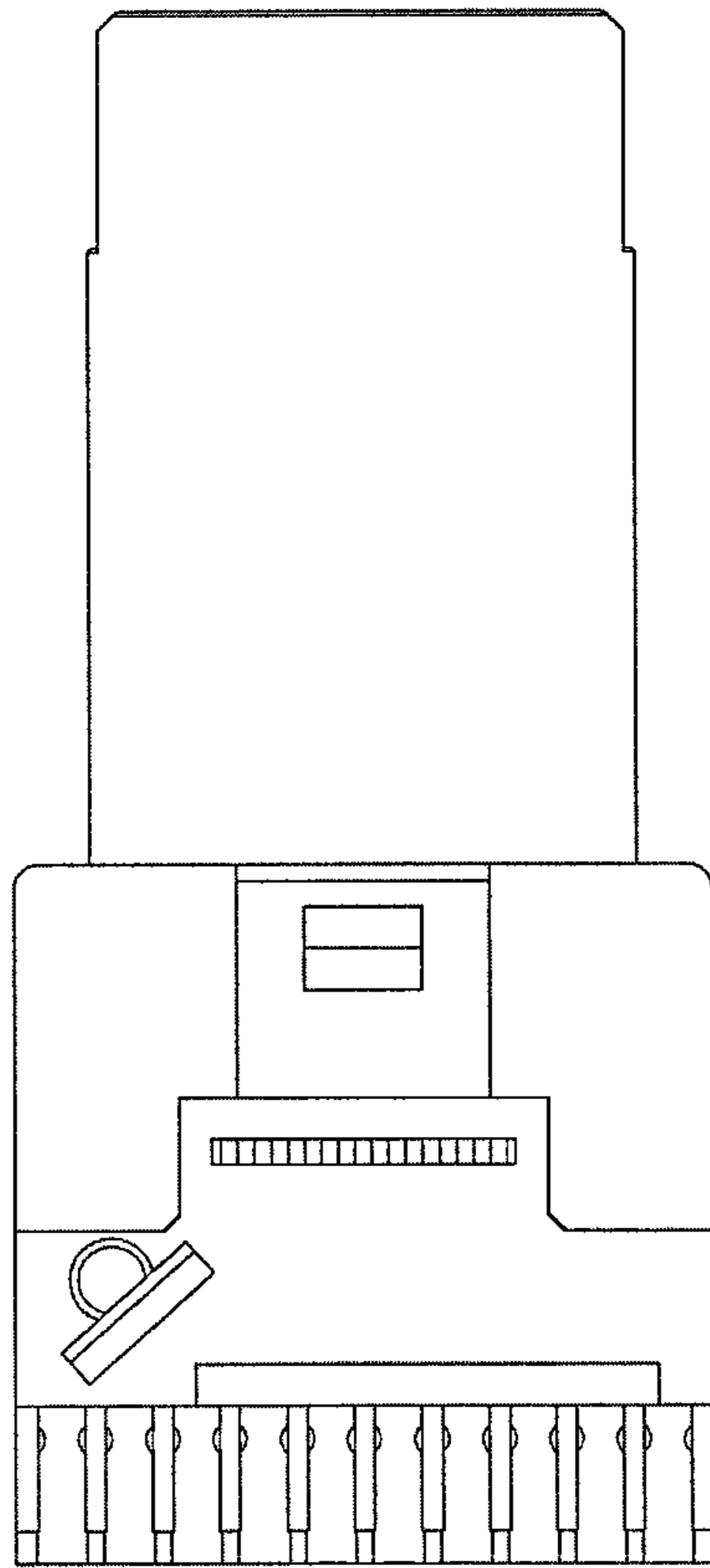


FIG. 4

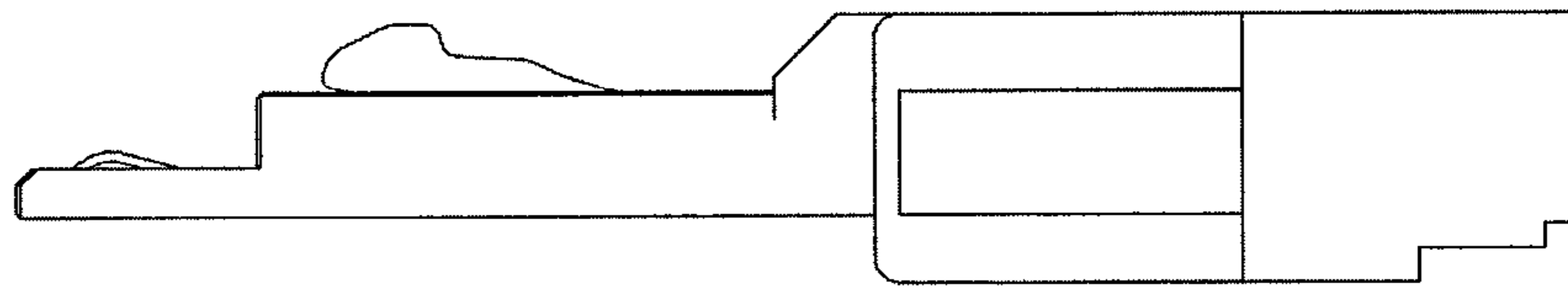


FIG. 5

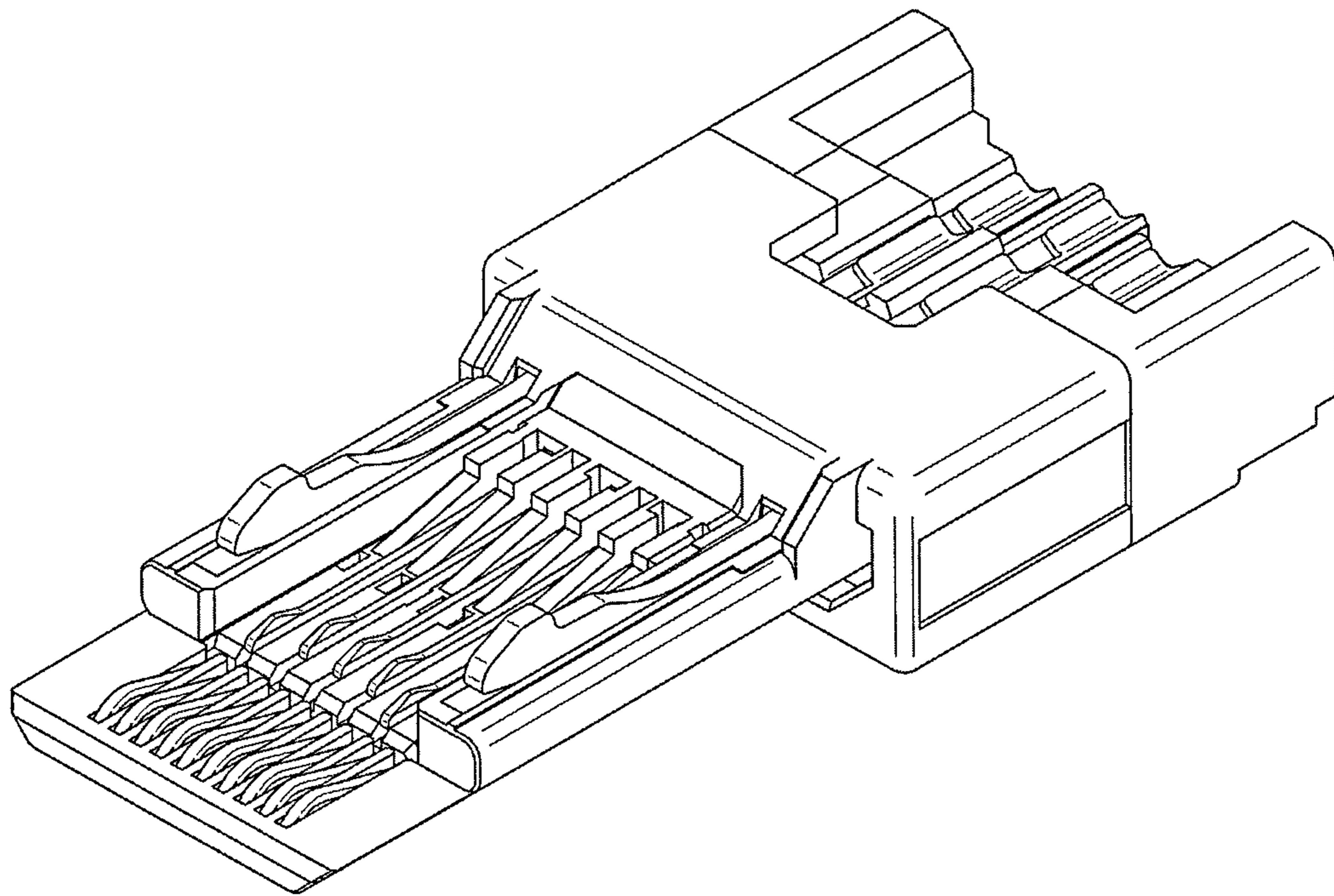


FIG. 6

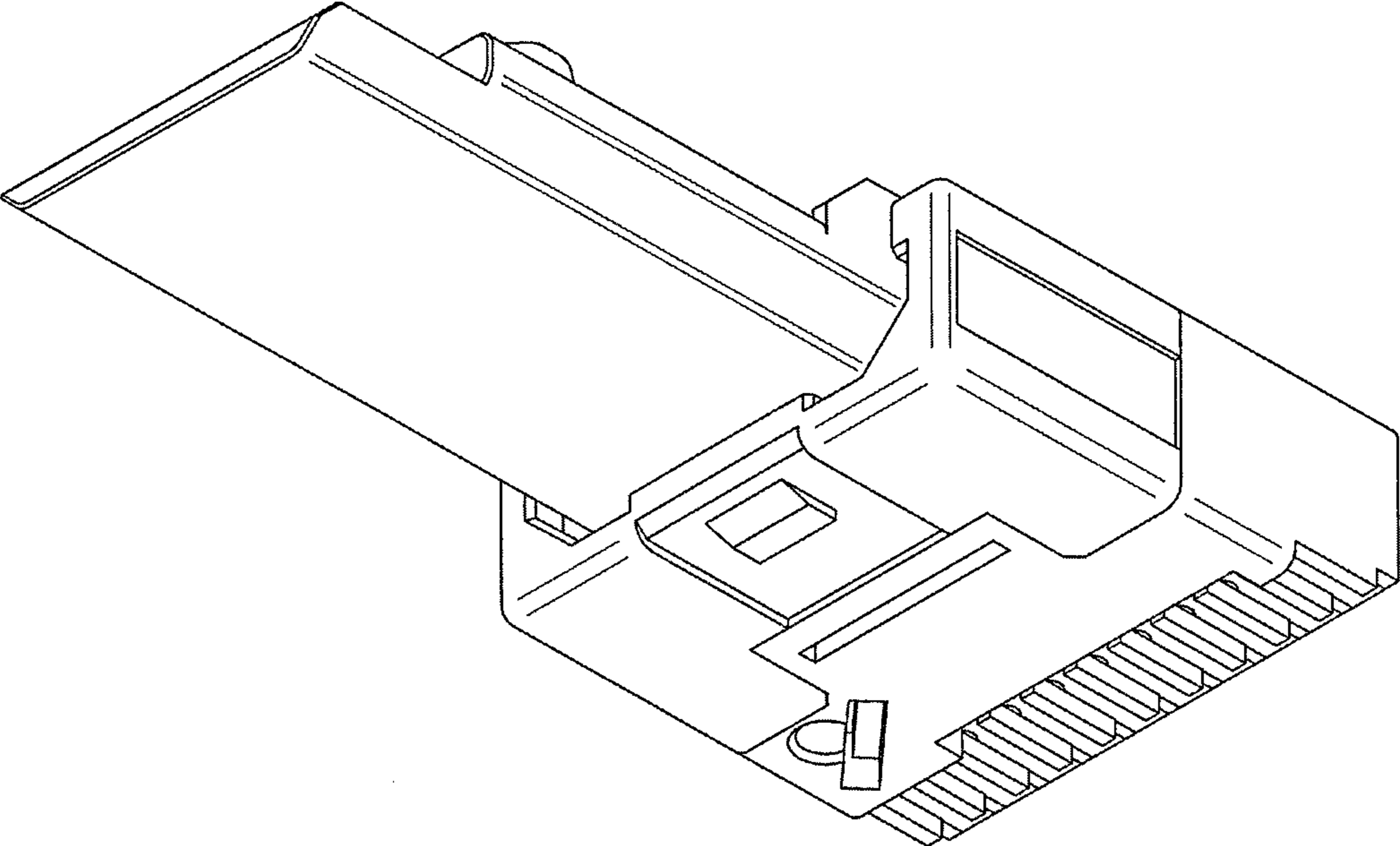


FIG. 7

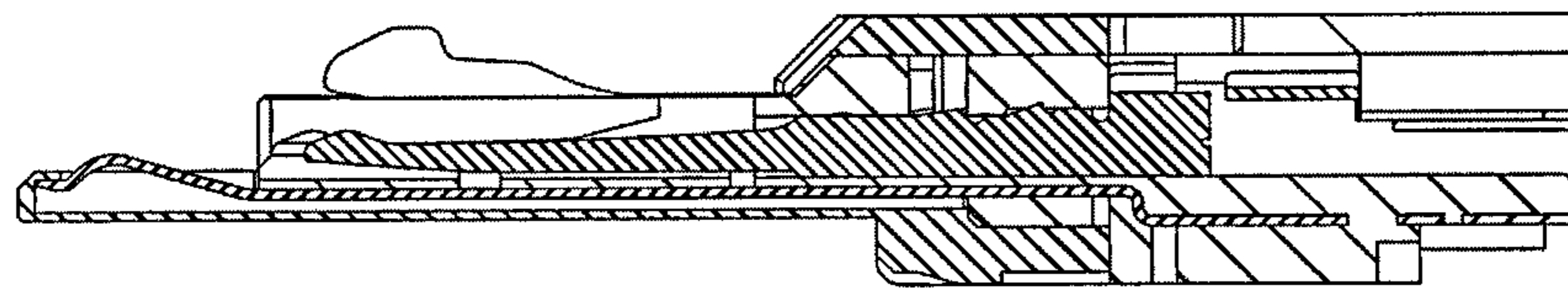


FIG. 8

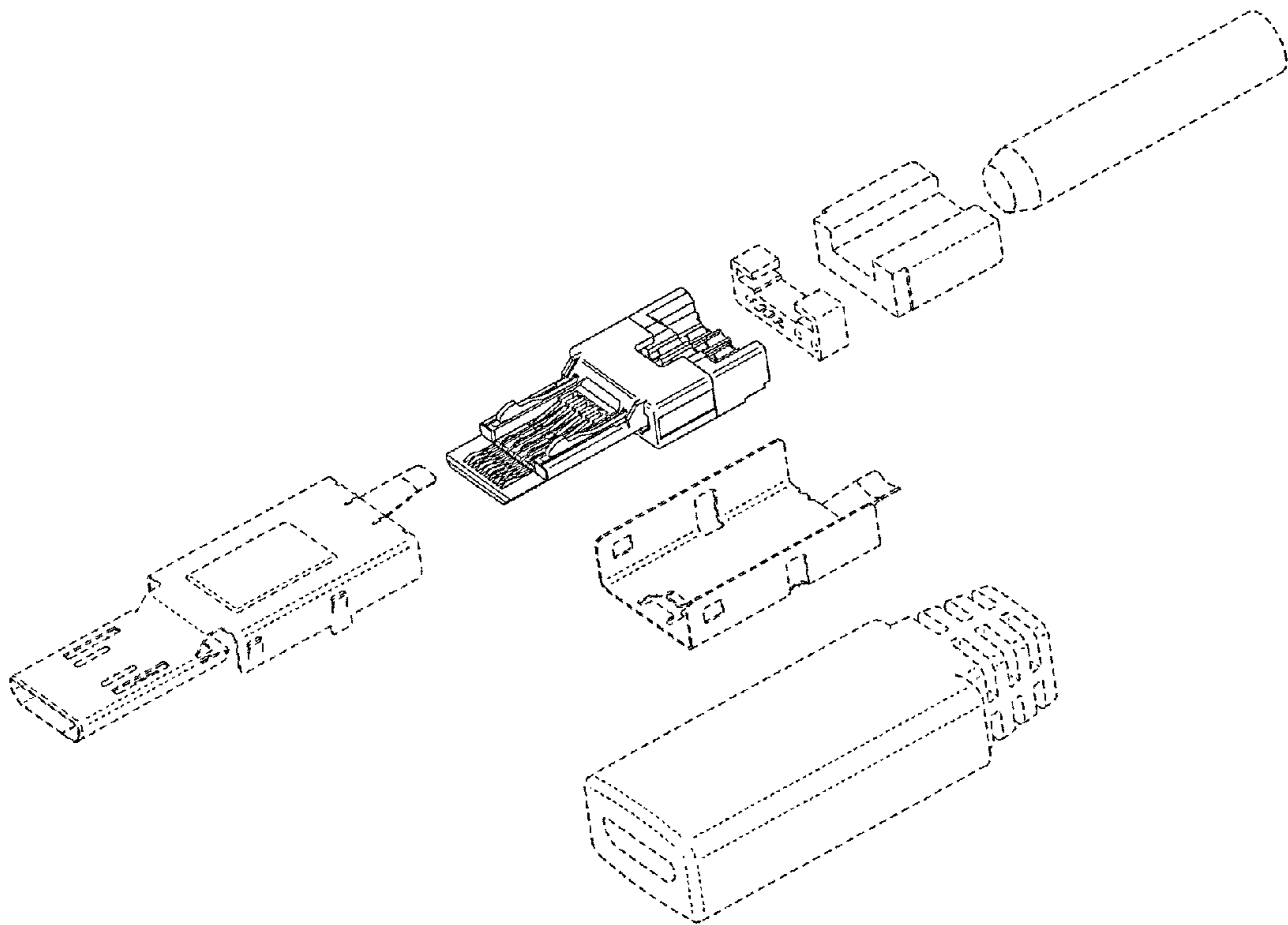


FIG. 9

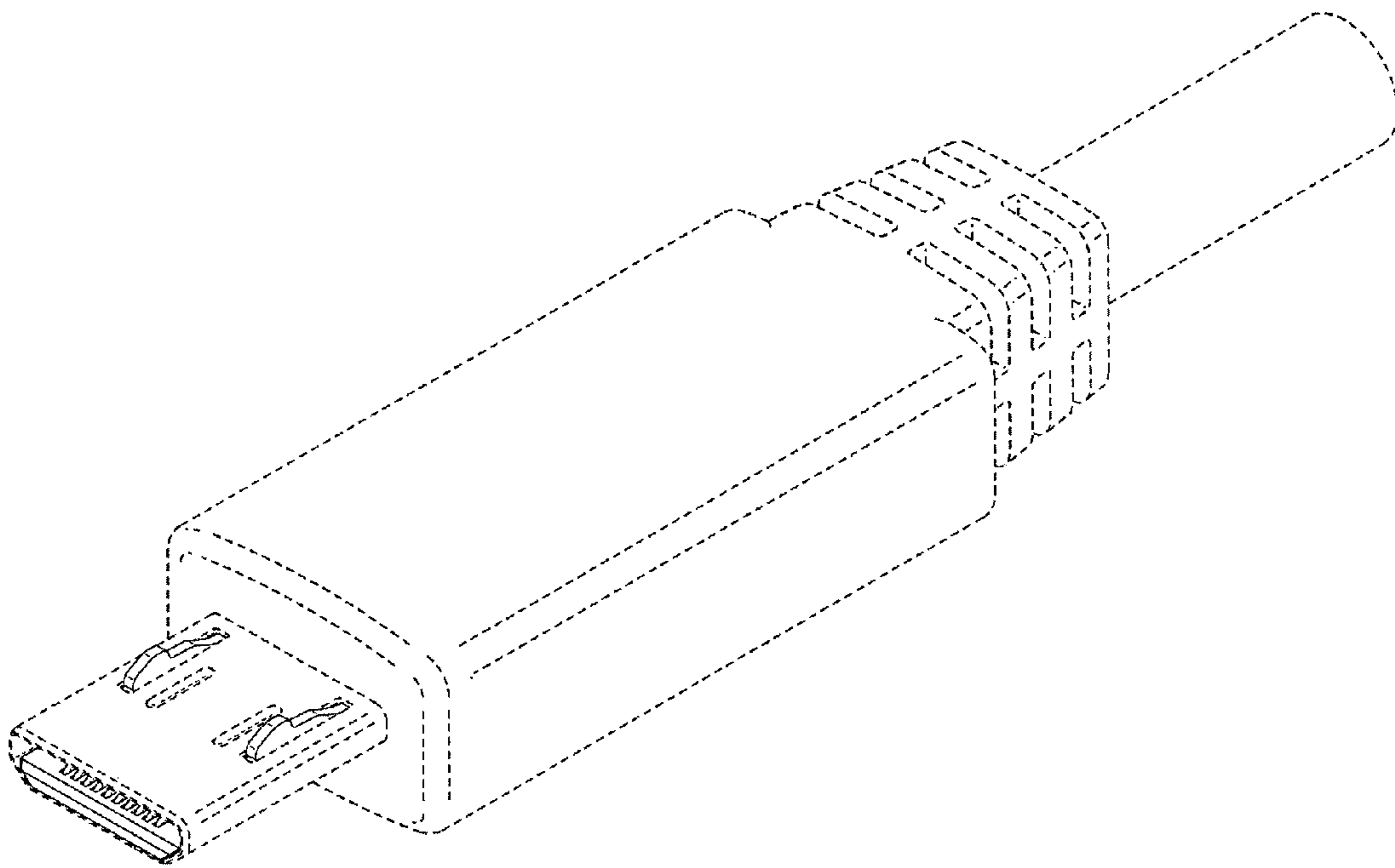


FIG. 10