



US00D710307S

(12) **United States Design Patent**  
**Ward**

(10) **Patent No.:** **US D710,307 S**

(45) **Date of Patent:** **\*\* Aug. 5, 2014**

- (54) **ELECTRICAL RECEPTACLE ADAPTER**
- (71) Applicant: **Mainsafe Corporation**, Clearwater, FL (US)
- (72) Inventor: **Patrick Ward**, Ballinasloe (IE)
- (73) Assignee: **Mainsafe Corporation**, Clearwater, FL (US)
- (\*\*) Term: **14 Years**
- (21) Appl. No.: **29/455,791**
- (22) Filed: **May 24, 2013**
- (51) **LOC (10) Cl.** ..... **13-03**
- (52) **U.S. Cl.**  
USPC ..... **D13/137.2**
- (58) **Field of Classification Search**  
USPC ..... D13/152, 164, 184, 137.1, 139.1, 153, D13/137.2, 133, 137.4, 139.7, 130, 128, D13/132, 138.2, 139.3, 139.4, 139.8, 139.6, D13/123, 160, 107; D14/205, 228; D7/300.2  
See application file for complete search history.

- D609,642 S \* 2/2010 Gandolfi et al. .... D13/137.2
- D619,276 S \* 7/2010 Choi ..... D26/26
- D639,466 S \* 6/2011 Feuerstein ..... D26/26

\* cited by examiner

*Primary Examiner* — Ian Simmons

*Assistant Examiner* — Rhea Shields

(74) *Attorney, Agent, or Firm* — Withrow & Terranova, P.L.L.C.

(57) **CLAIM**

The ornamental design for an electrical receptacle adapter, as shown and described.

**DESCRIPTION**

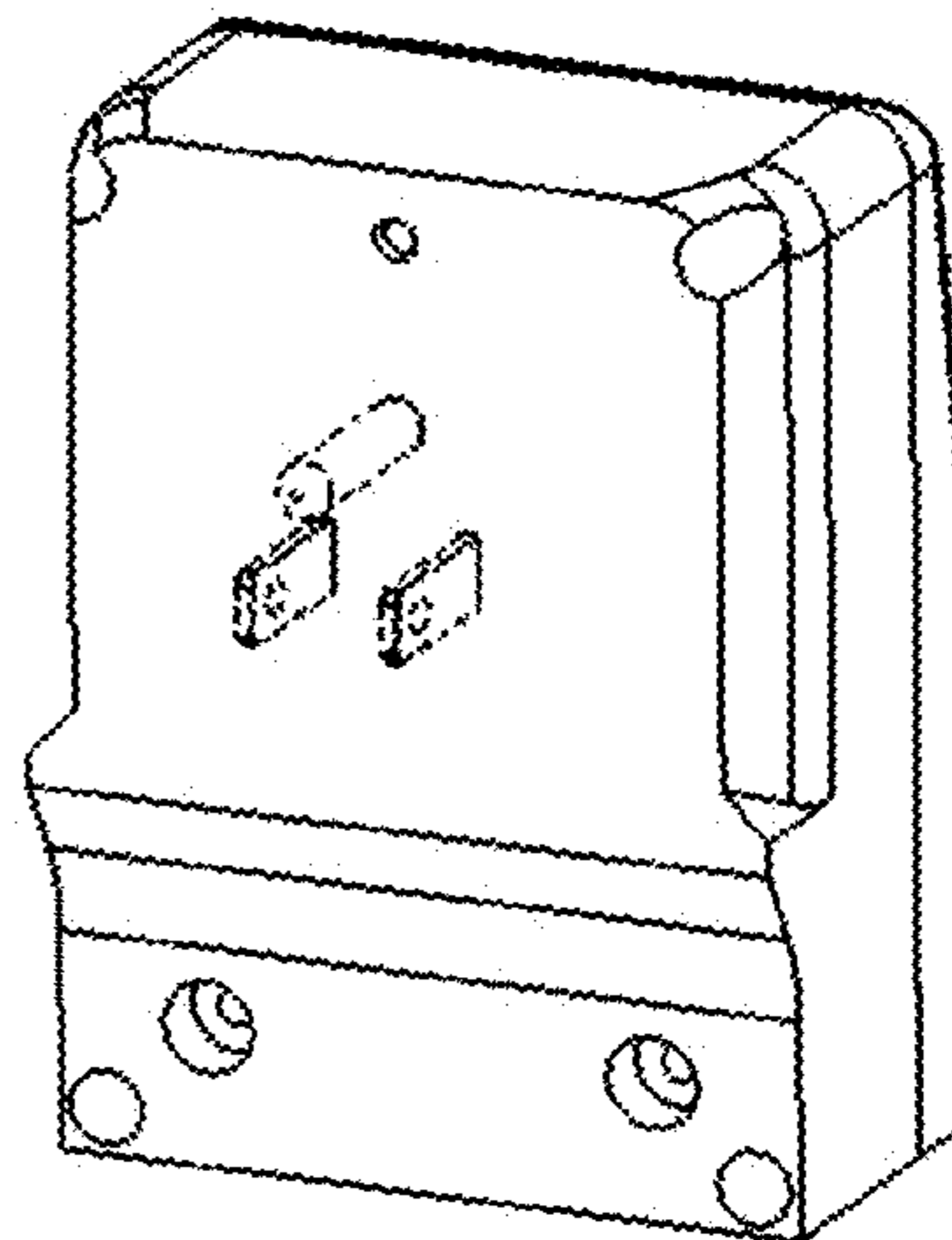
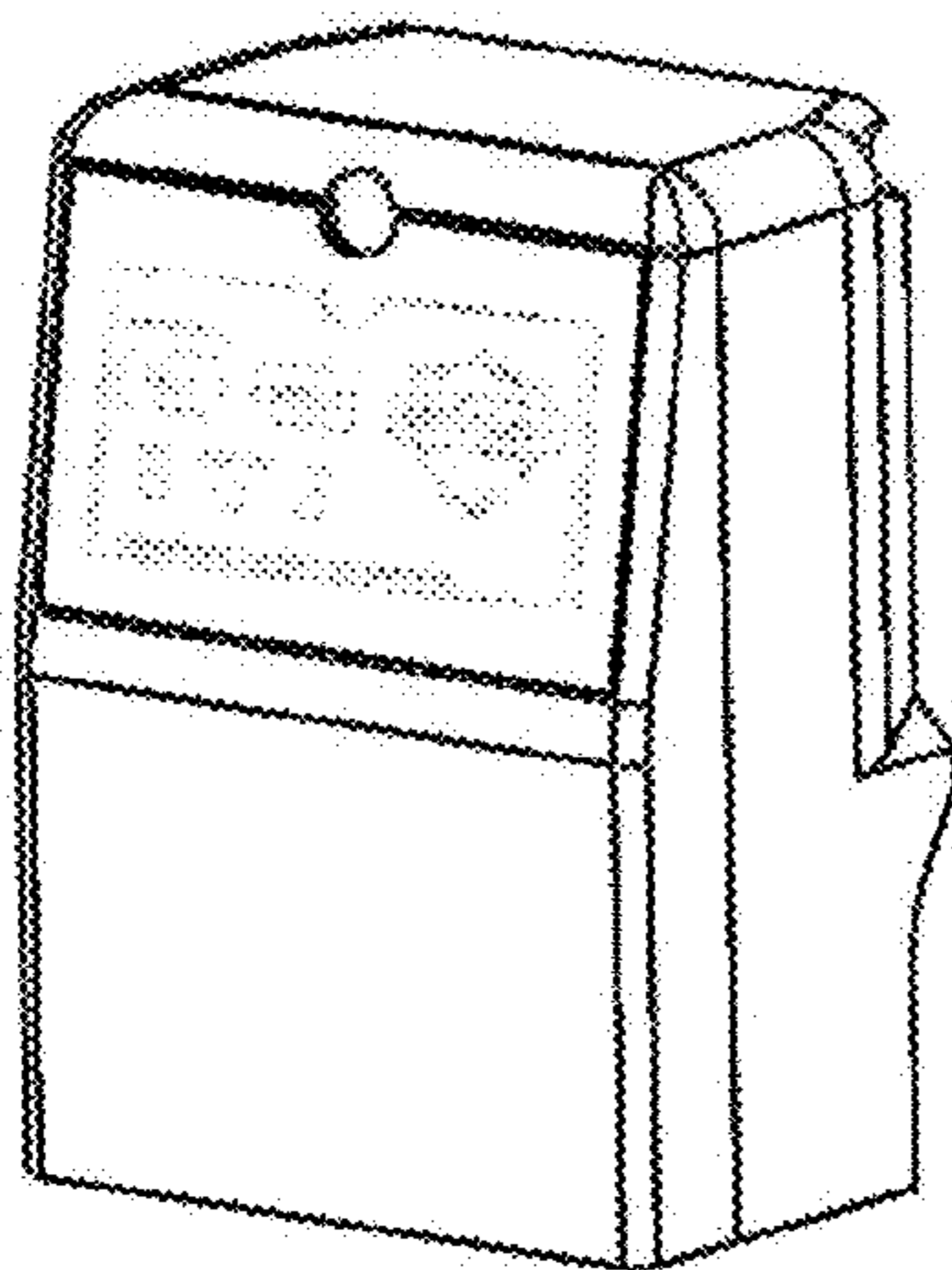
FIG. 1 is a front elevation of an electrical receptacle adapter according to a first embodiment;  
 FIG. 2 is a front perspective view of the electrical receptacle adapter of FIG. 1;  
 FIG. 3 is a rear perspective view of the electrical receptacle adapter of FIG. 1;  
 FIG. 4 is a front elevation of an electrical receptacle adapter according to a second embodiment;  
 FIG. 5 is a front perspective view of the electrical receptacle adapter of FIG. 4;  
 FIG. 6 is a rear perspective view of the electrical receptacle adapter of FIG. 4;  
 FIG. 7 is a front elevation of an electrical receptacle adapter according to a third embodiment;  
 FIG. 8 is a front perspective view of the electrical receptacle adapter of FIG. 7; and,  
 FIG. 9 is a rear perspective view of the electrical receptacle adapter of FIG. 7.  
 The broken lines in the drawings are for illustrative purposes only, and do not form part of the claimed design.

(56) **References Cited**

**U.S. PATENT DOCUMENTS**

- D370,459 S \* 6/1996 Boesel et al. .... D13/137.2
- D370,460 S \* 6/1996 Boesel et al. .... D13/137.2
- D575,775 S \* 8/2008 Sekine ..... D14/242
- D584,690 S \* 1/2009 Hsiung ..... D13/138.1
- D595,229 S \* 6/2009 LaGrotta ..... D13/137.2
- D601,551 S \* 10/2009 Ray et al. .... D14/240
- D606,983 S \* 12/2009 Hamer et al. .... D14/240

**1 Claim, 3 Drawing Sheets**



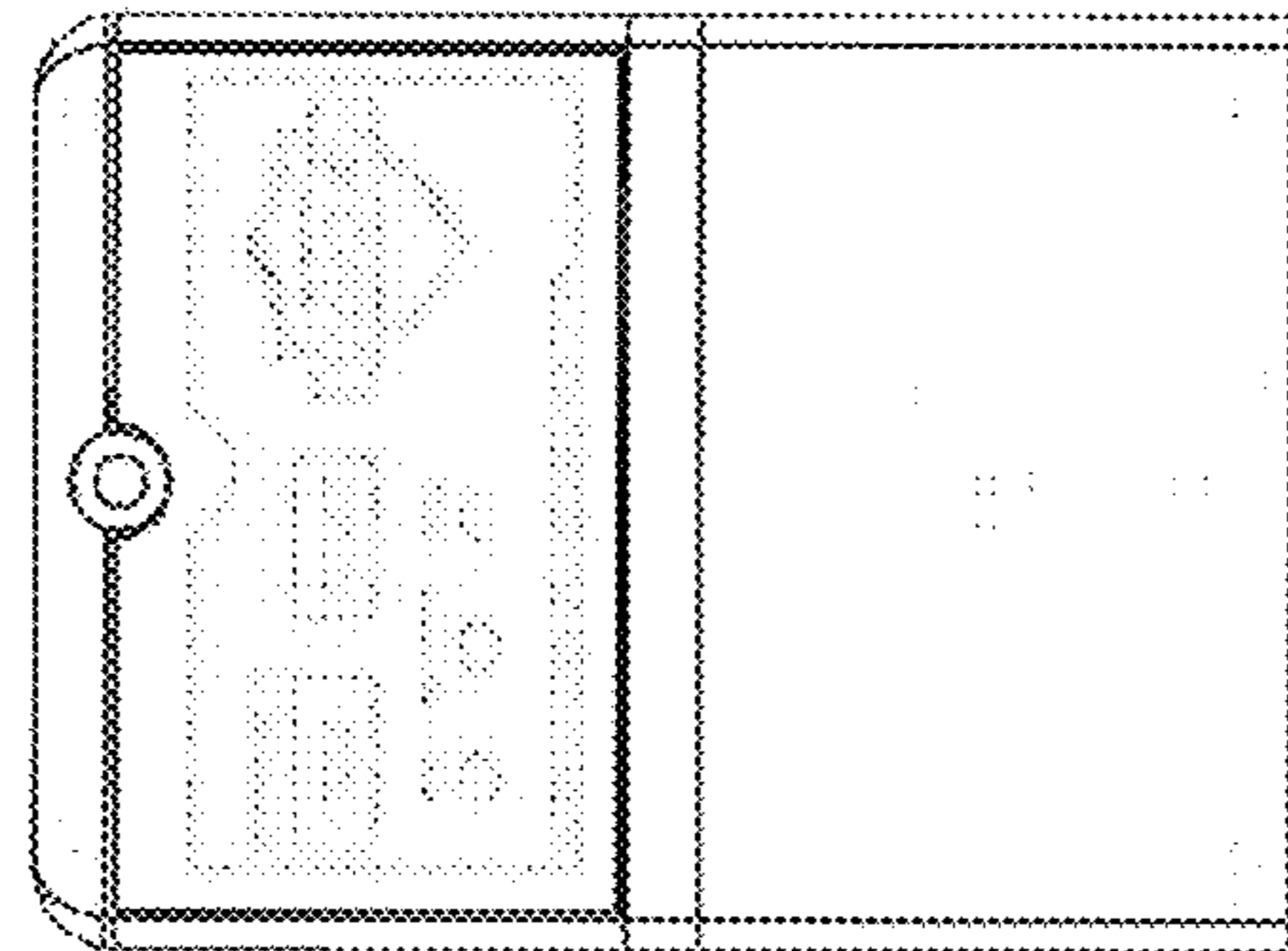


Figure 1

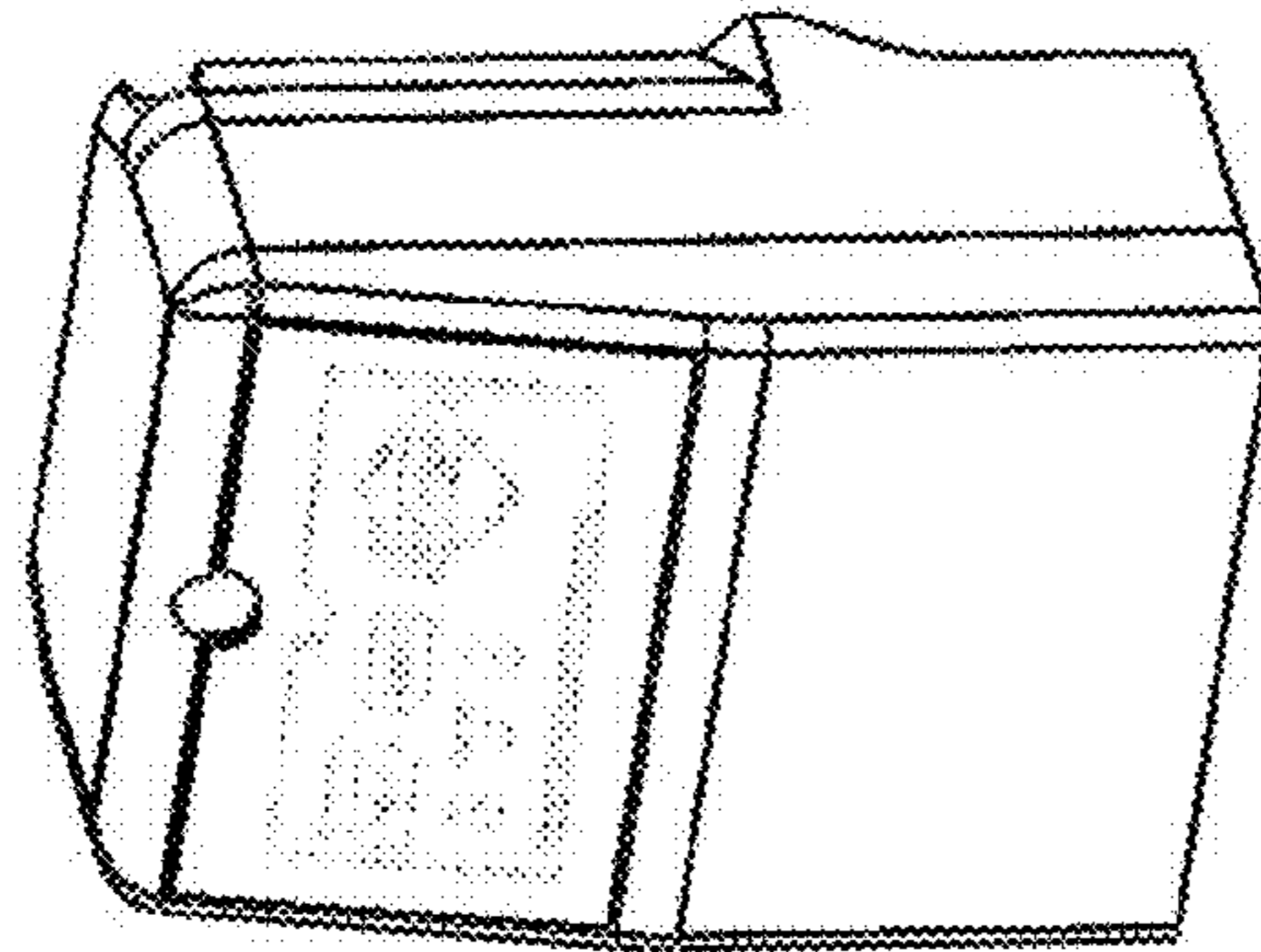


Figure 2

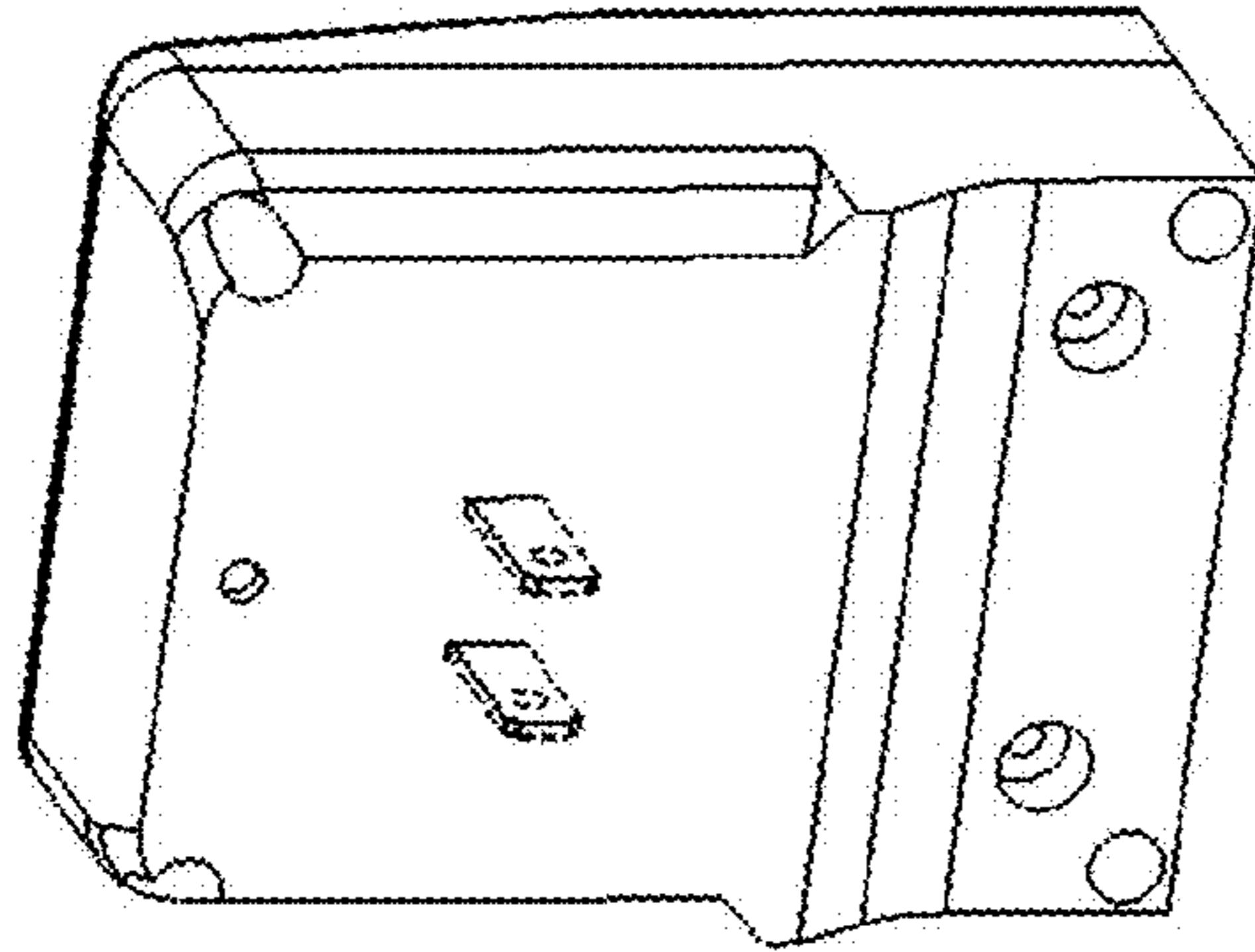


Figure 3

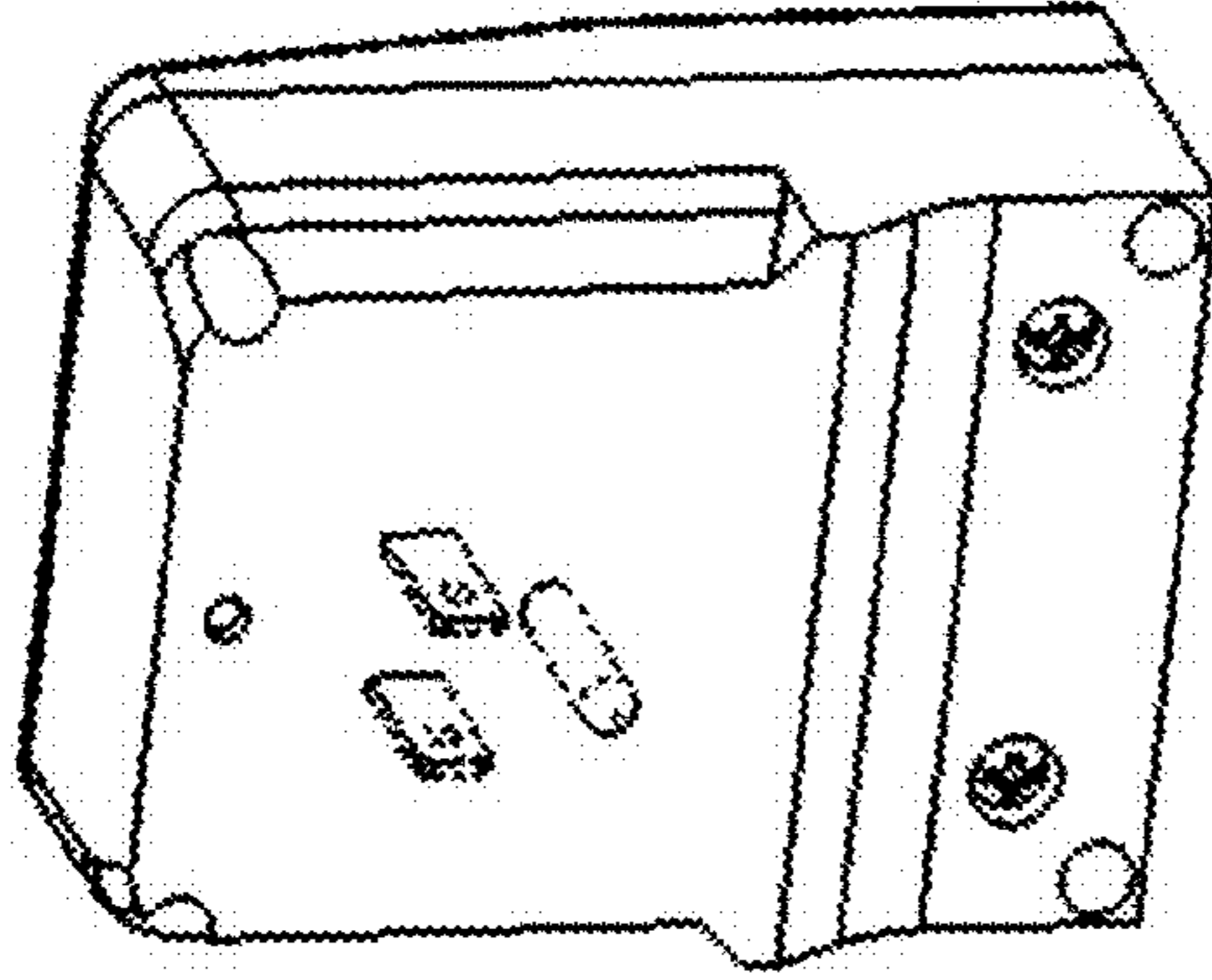


Figure 6

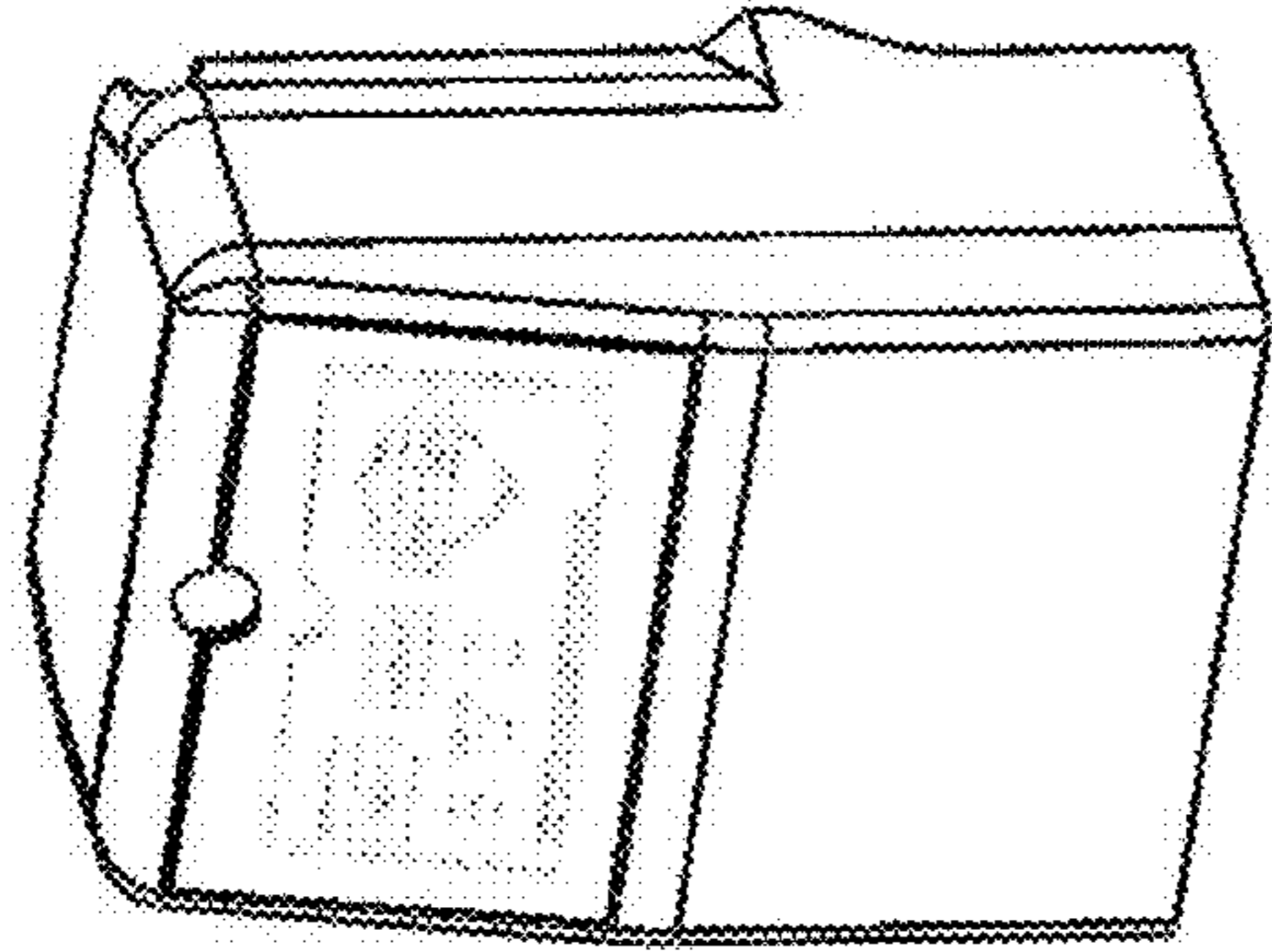


Figure 5

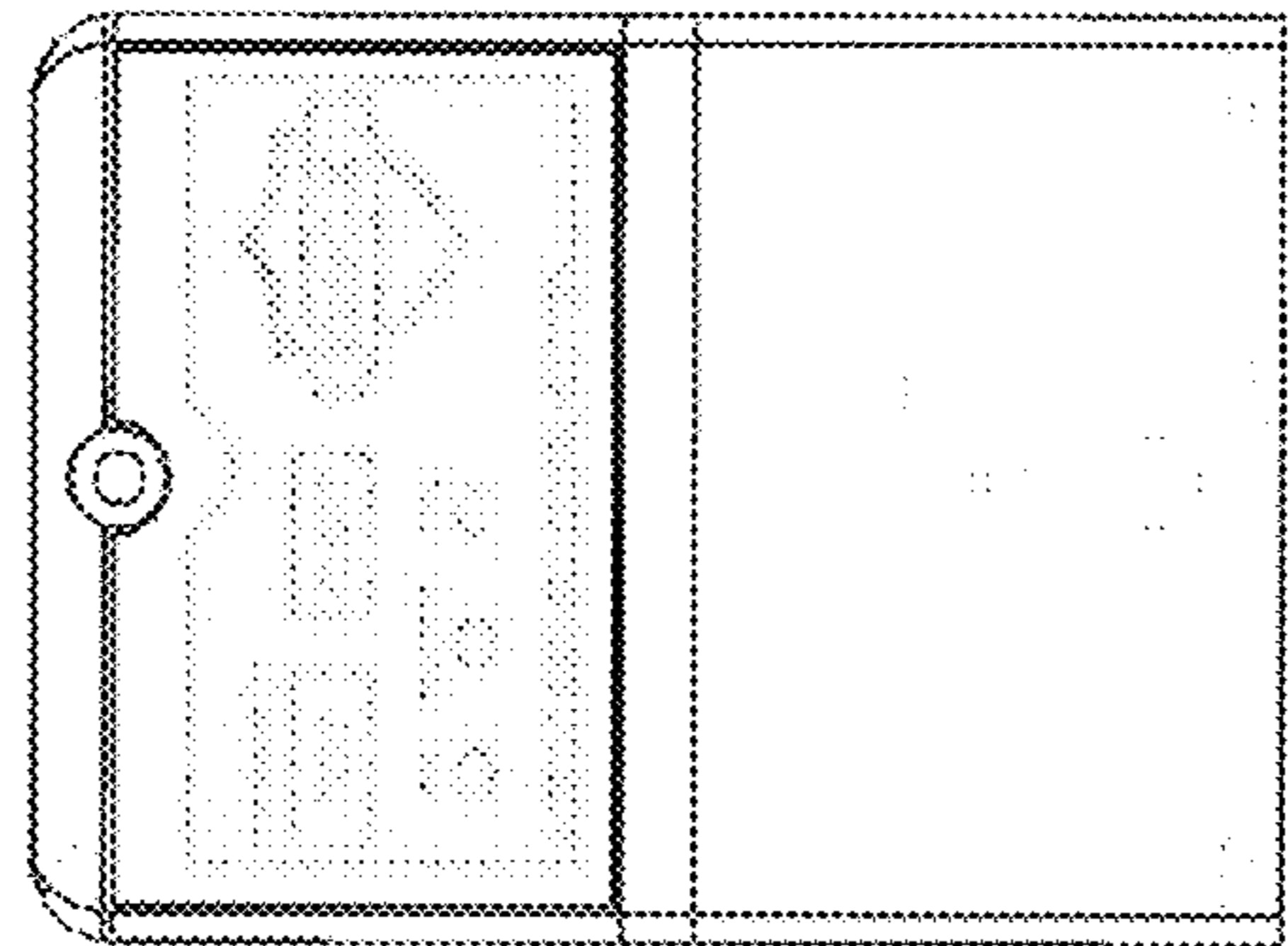


Figure 4

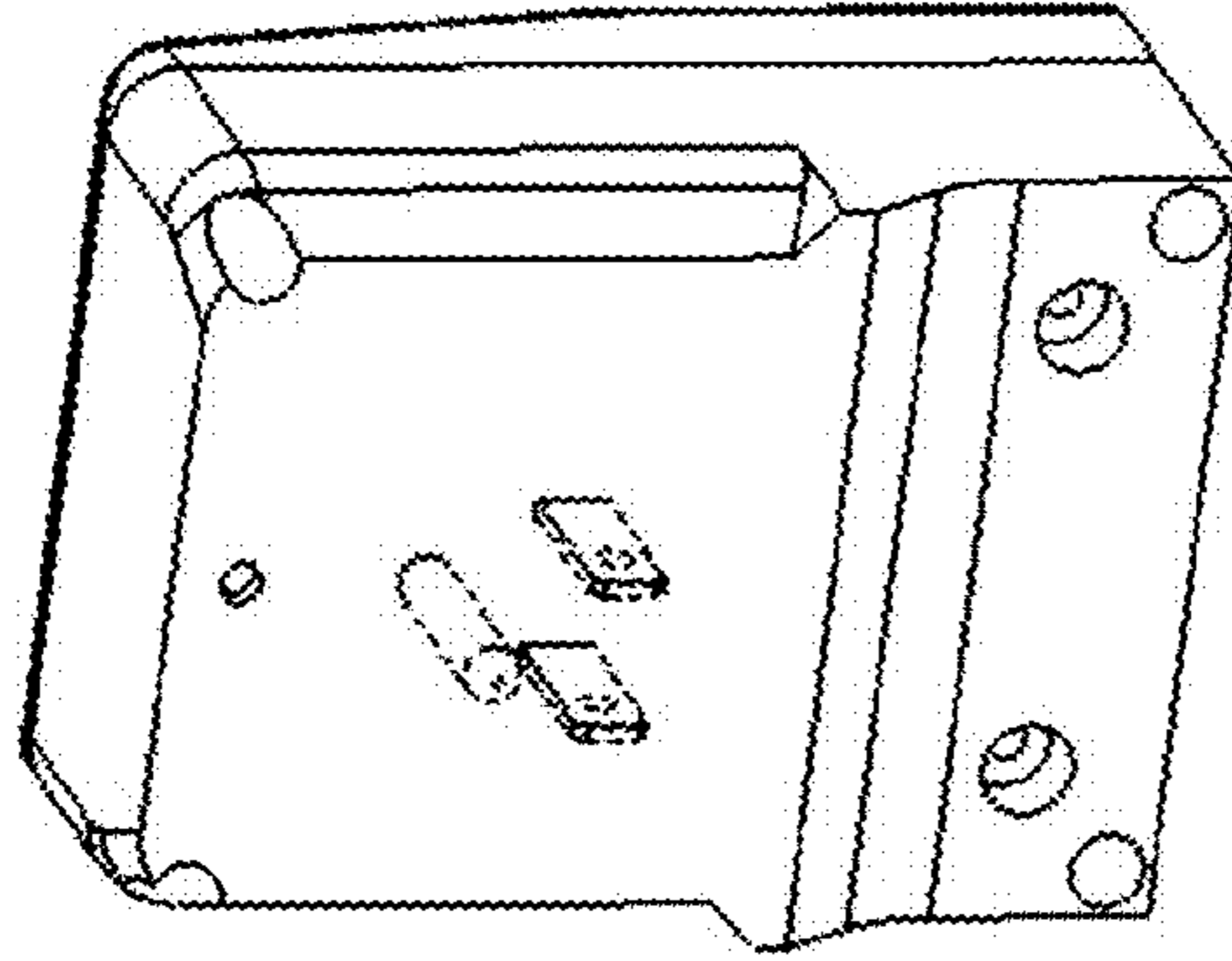


Figure 9

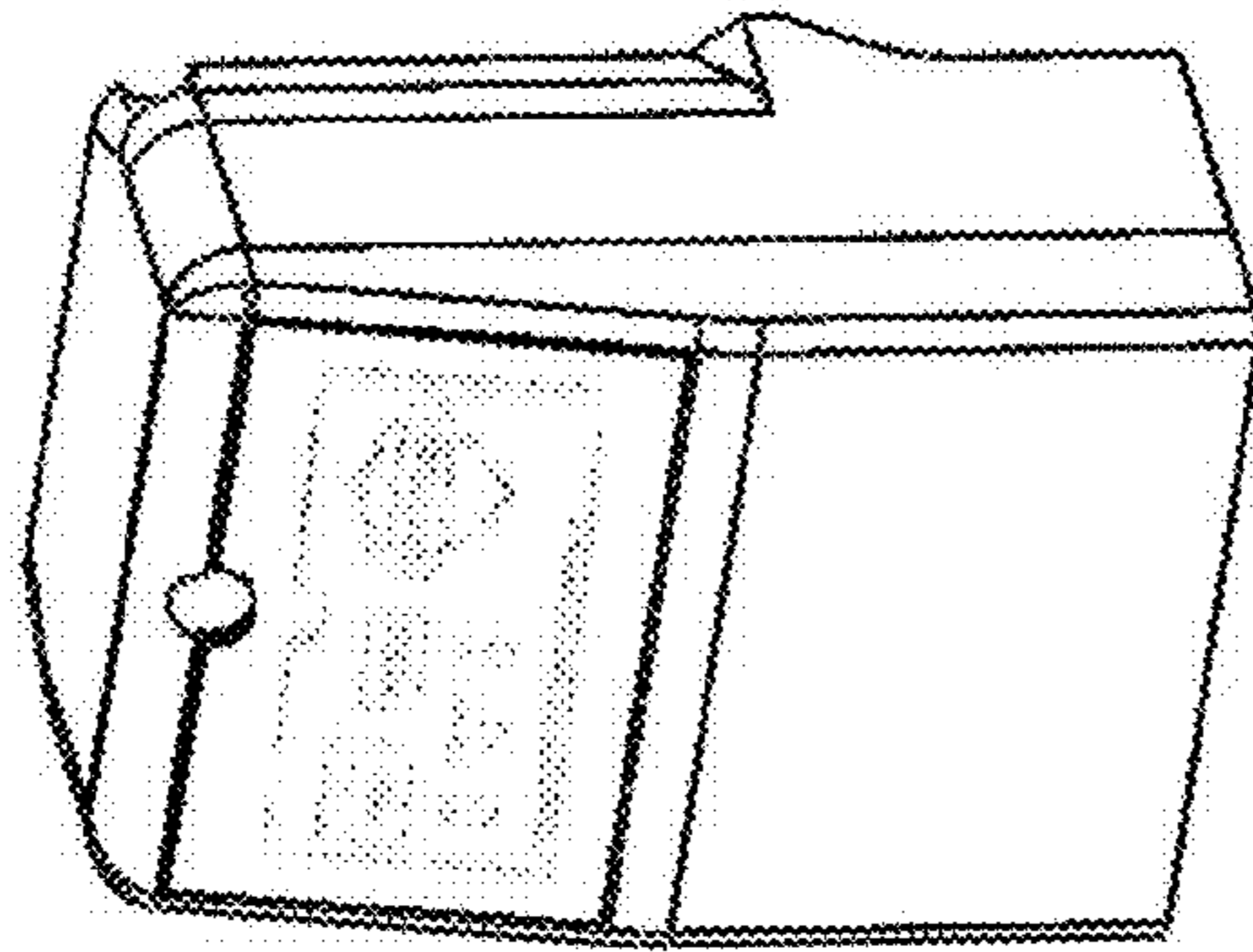


Figure 8

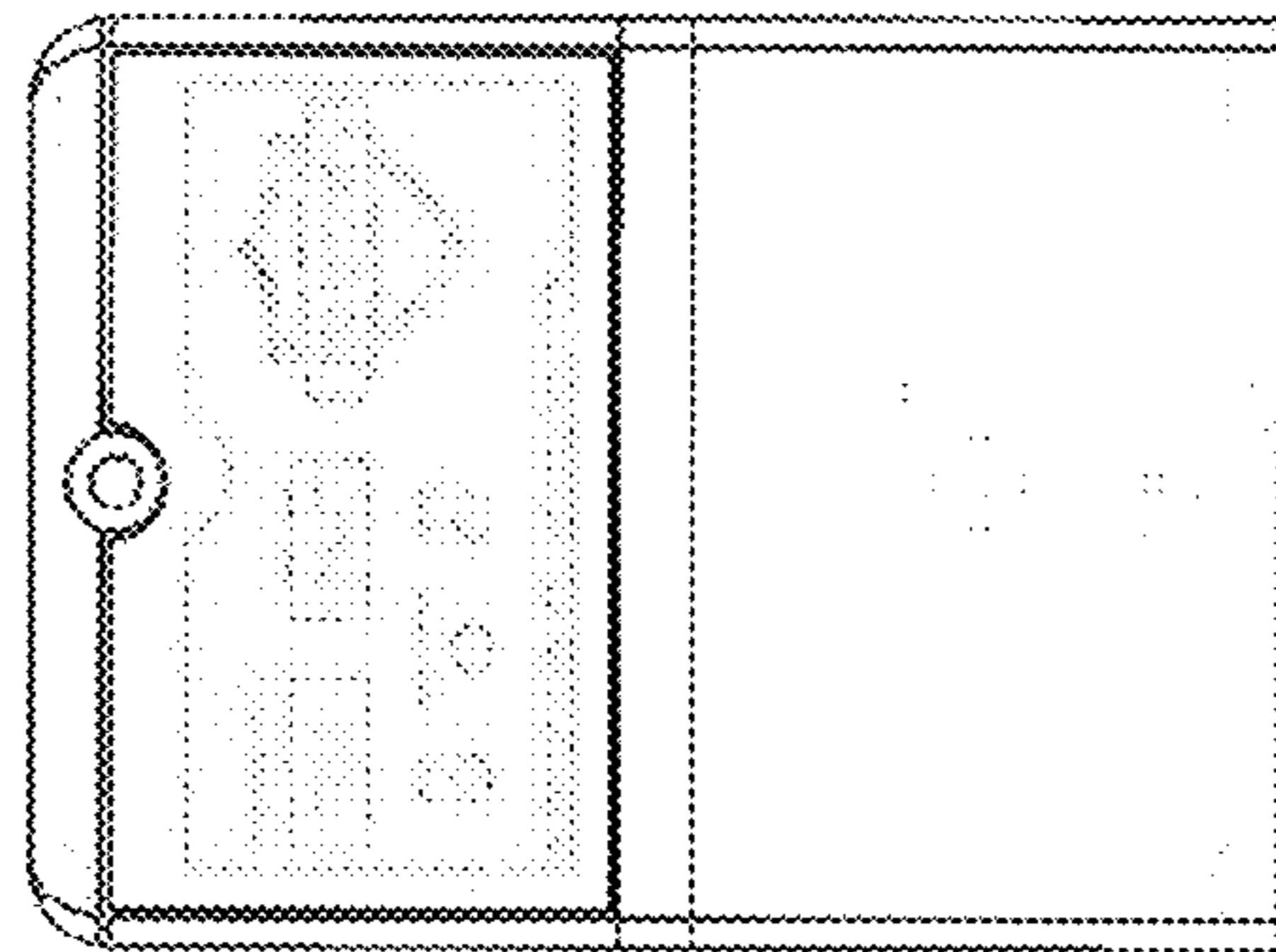


Figure 7