



US00D710306S

(12) **United States Design Patent**
Ohashi et al.

(10) **Patent No.:** **US D710,306 S**

(45) **Date of Patent:** **** Aug. 5, 2014**

(54) **BEARING HOLDER OF AC GENERATOR FOR VEHICLE**

(56) **References Cited**

U.S. PATENT DOCUMENTS

(71) Applicant: **Mitsubishi Electric Corporation,**
Tokyo (JP)
(72) Inventors: **Atsushi Ohashi,** Tokyo (JP); **Kazunori Tanaka,** Tokyo (JP); **Kazuya Hasegawa,** Tokyo (JP)
(73) Assignee: **Mitsubishi Electric Corporation,**
Tokyo (JP)

3,745,393	A *	7/1973	Spors	310/239
D243,406	S *	2/1977	Mooney et al.	D13/154
D284,853	S *	7/1986	Djurinec	D13/173
6,867,528	B2 *	3/2005	Inoue et al.	310/239
7,034,430	B2 *	4/2006	Custforth et al.	310/229
D526,275	S *	8/2006	Han et al.	D13/112
7,466,056	B2 *	12/2008	Golab et al.	310/245
D593,945	S *	6/2009	Lannoch	D13/122
D599,263	S *	9/2009	Nagase et al.	D12/177
7,843,105	B2 *	11/2010	Grimm et al.	310/239
D661,715	S *	6/2012	Hickman	D15/143

(**) Term: **14 Years**

* cited by examiner

(21) Appl. No.: **29/476,213**

Primary Examiner — Derrick Holland

(22) Filed: **Dec. 12, 2013**

(74) *Attorney, Agent, or Firm* — Sughrue Mion, PLLC

(30) **Foreign Application Priority Data**

(57) **CLAIM**

The ornamental design for a bearing holder of AC generator for vehicle, as shown and described.

Sep. 3, 2013 (JP) 2013-020312

(51) **LOC (10) Cl.** **13-01**

(52) **U.S. Cl.**
USPC **D13/122**

(58) **Field of Classification Search**
USPC D13/122, 101, 112, 113, 114, 118, 184,
D13/199; D15/3, 5, 143; 310/75 R, 80, 85,
310/91, 98, 102 R, 113, 239, 240, 242, 245,
310/246

DESCRIPTION

FIG. 1 is a perspective view of the front, right, and top side of a bearing holder of AC generator for vehicle showing our new design;

FIG. 2 is a front view thereof;

FIG. 3 is a rear view thereof;

FIG. 4 is a left side view thereof;

FIG. 5 is a right side view thereof;

FIG. 6 is a top plan view thereof; and,

FIG. 7 is a bottom view thereof.

See application file for complete search history.

1 Claim, 5 Drawing Sheets

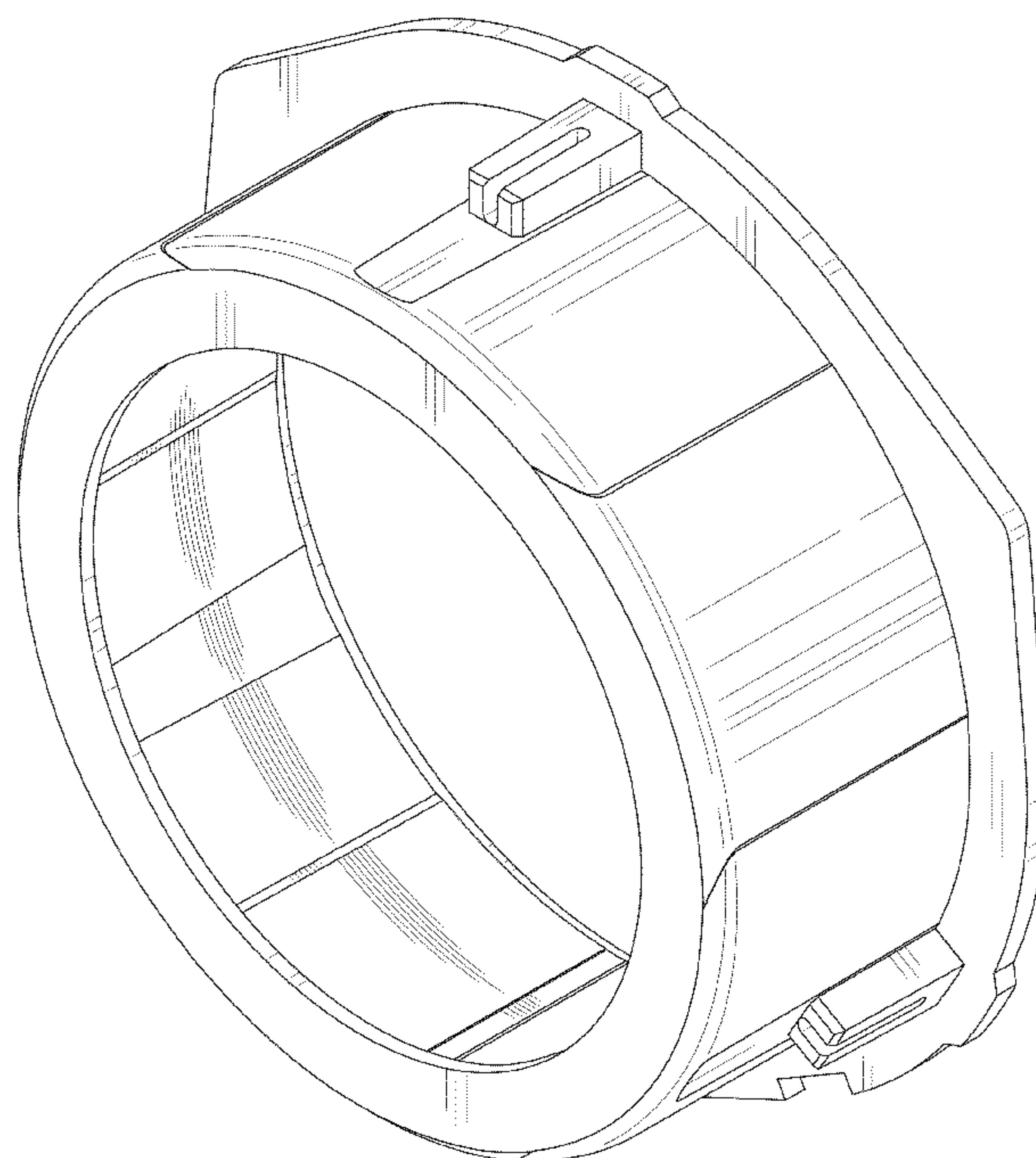


Fig. 1

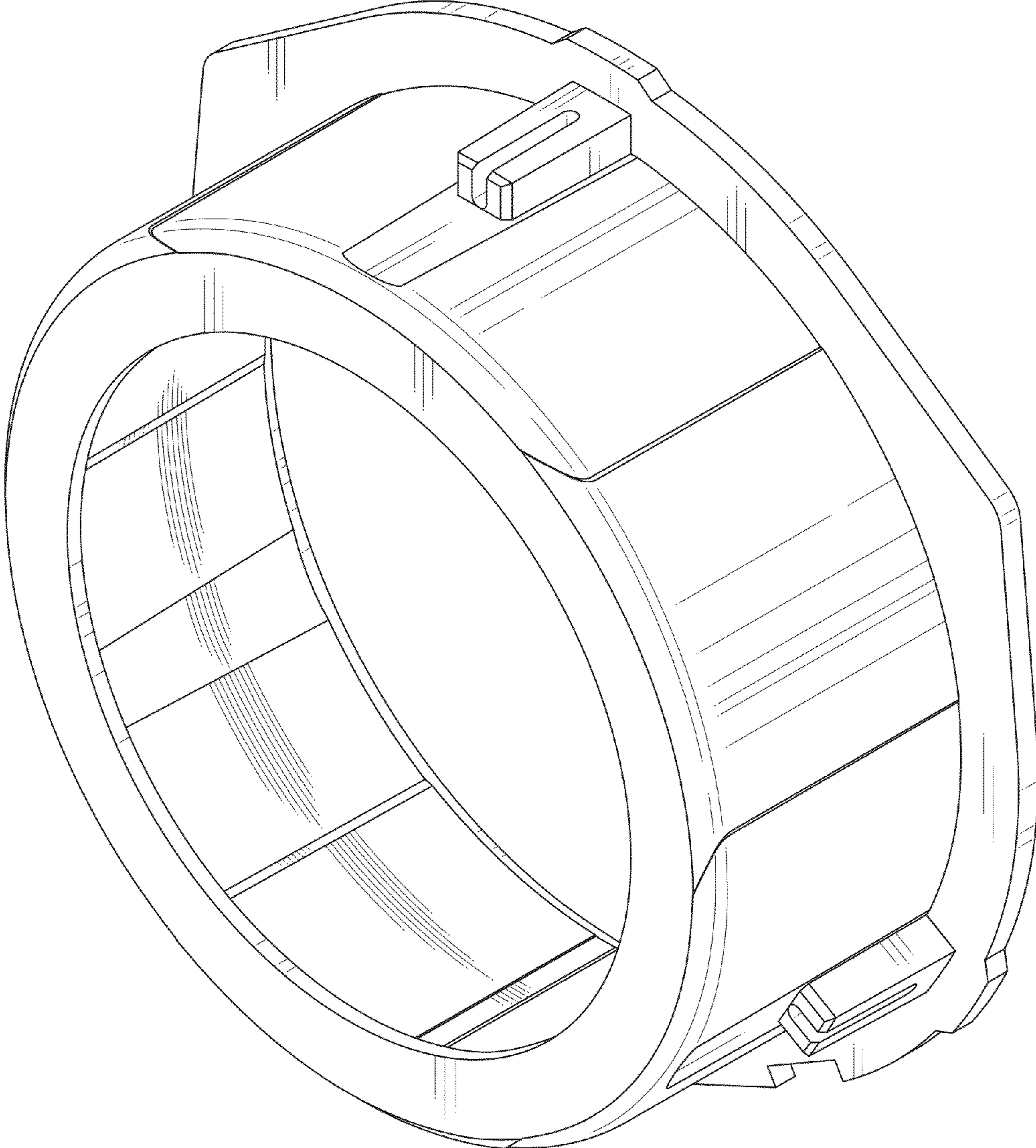


Fig. 2

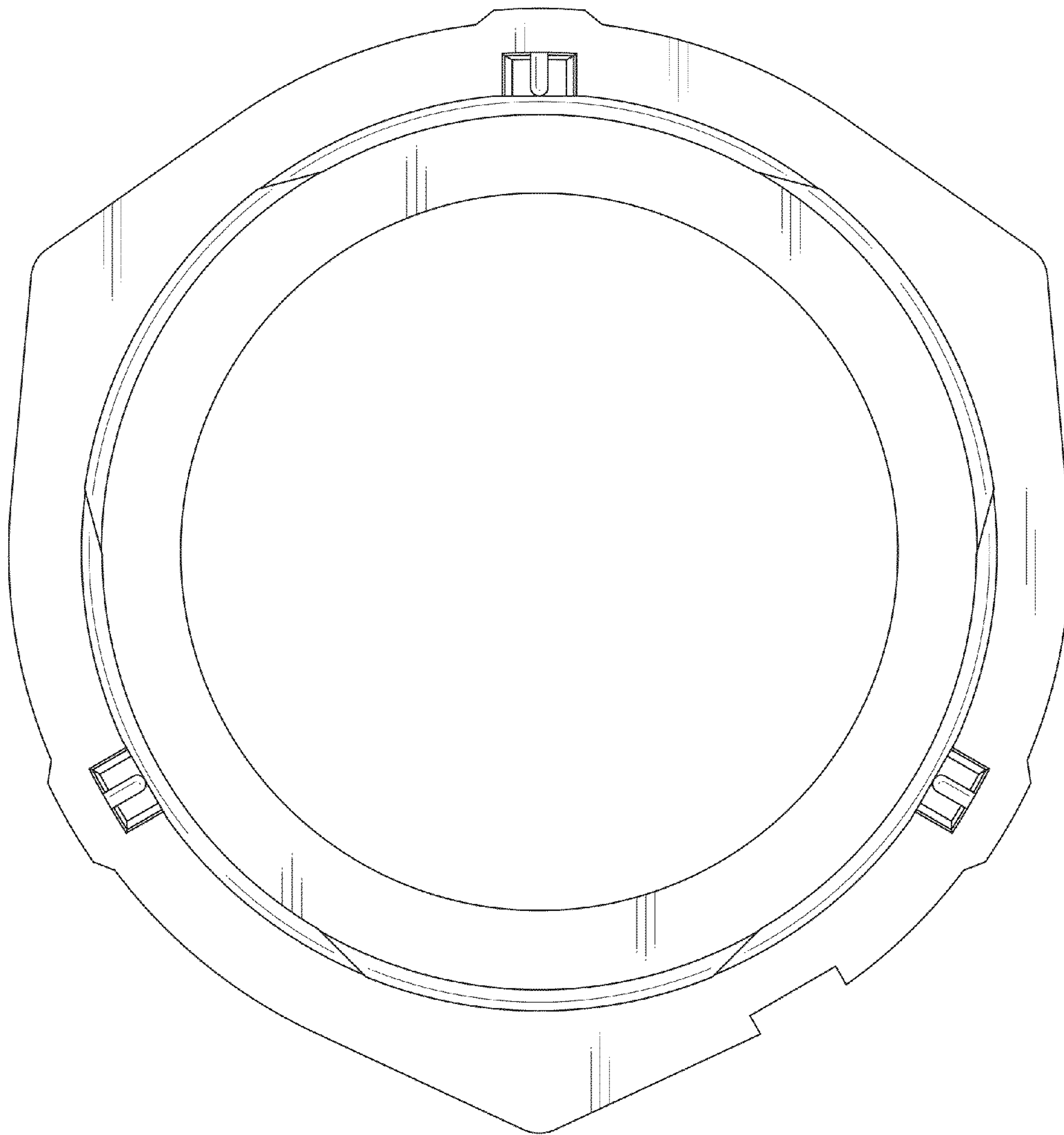


Fig. 3

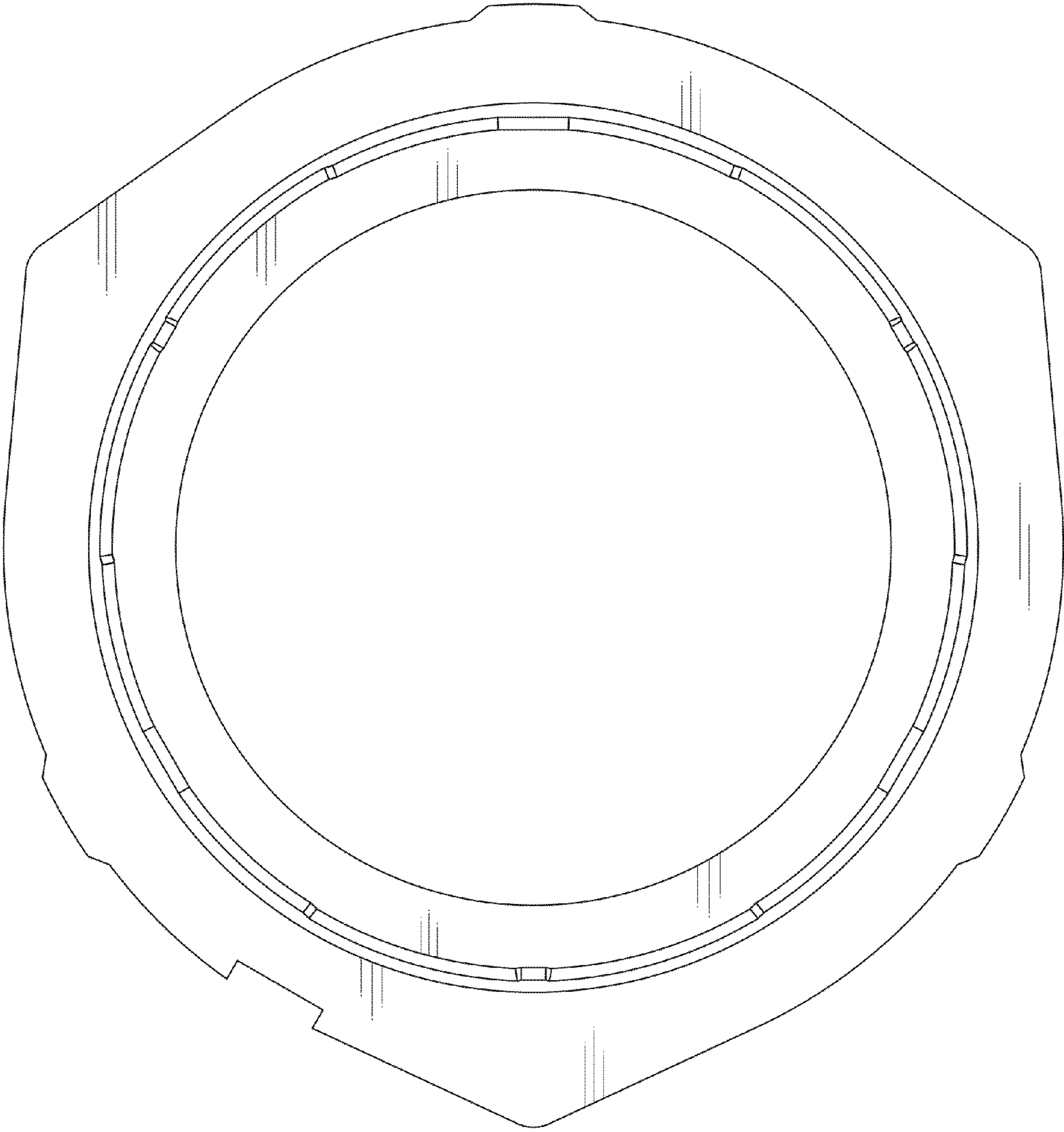


Fig. 4

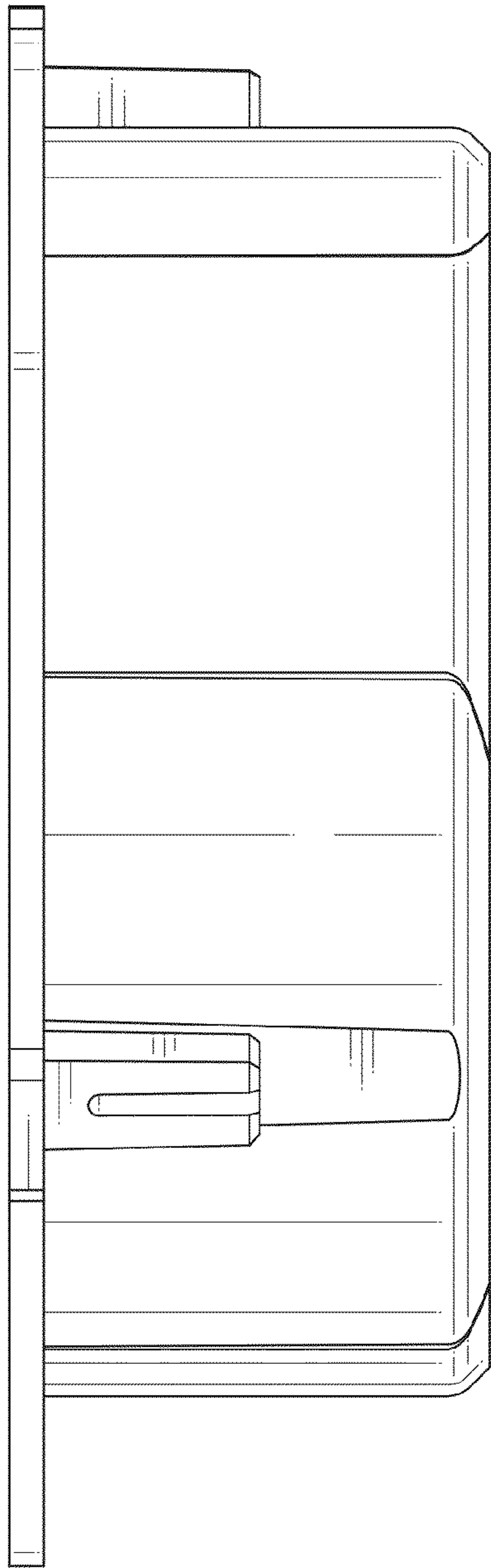


Fig. 5

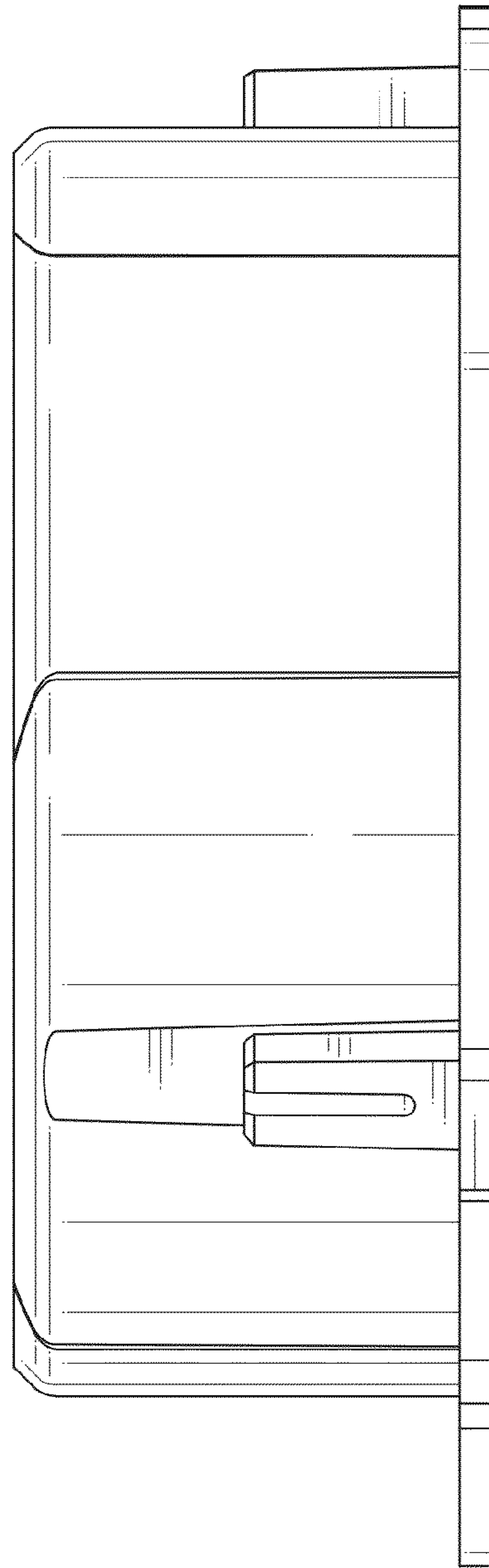


Fig. 6

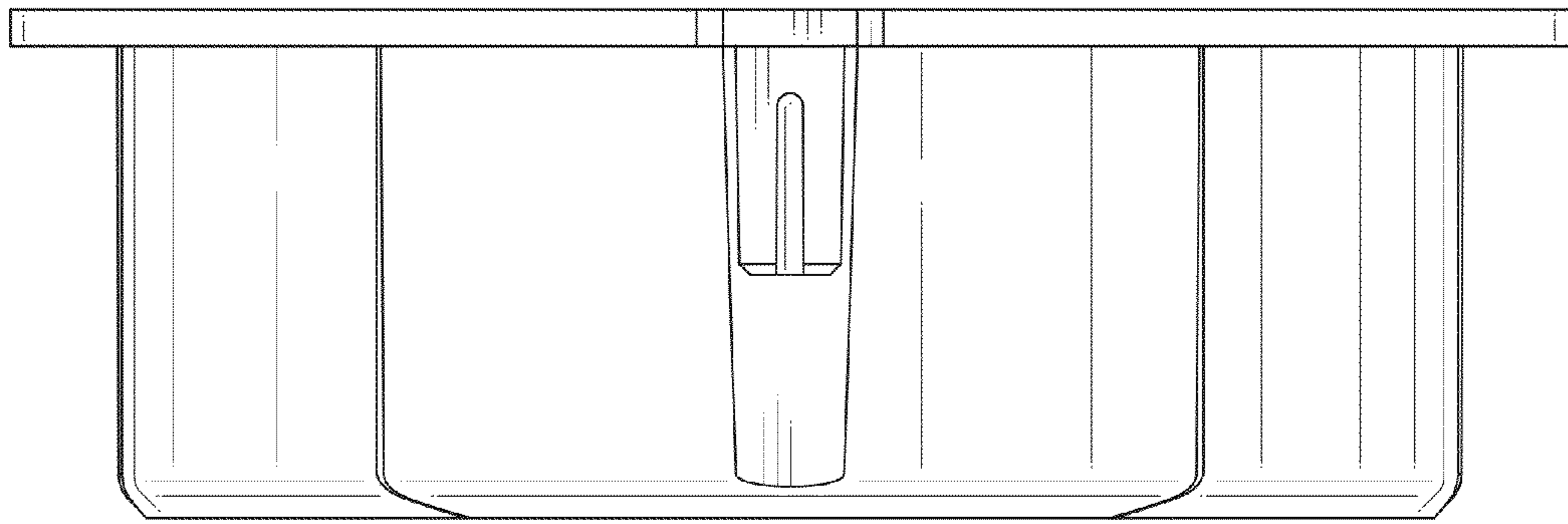


Fig. 7

