



US00D710304S

(12) **United States Design Patent**
Blomberg et al.

(10) **Patent No.:** **US D710,304 S**

(45) **Date of Patent:** **** Aug. 5, 2014**

(54) **BATTERY PACK FOR POWERED AIR
PURIFYING RESPIRATOR (PAPR)**

(75) Inventors: **David M. Blomberg**, Lino Lakes, MN
(US); **Nathan A. Abel**, Minneapolis, MN
(US)

(73) Assignee: **3M Innovative Properties Company**,
St. Paul, MN (US)

(**) Term: **14 Years**

(21) Appl. No.: **29/413,413**

(22) Filed: **Feb. 15, 2012**

(51) **LOC (10) Cl.** **13-02**

(52) **U.S. Cl.**
USPC **D13/119**

(58) **Field of Classification Search**
USPC D13/103-109, 110-116, 118-122;
320/110-113; 429/96-100, 163,
429/175-176, 187; D24/110; D12/187
See application file for complete search history.

(56) **References Cited**

U.S. PATENT DOCUMENTS

4,899,740	A	2/1990	Napolitano	
5,671,996	A *	9/1997	Bos et al.	362/488
5,736,837	A *	4/1998	Noda	320/104
D413,300	S *	8/1999	Igarashi	D13/103
D481,007	S	10/2003	Takahashi	
D493,131	S *	7/2004	Lawlor et al.	D12/187
7,012,727	B2 *	3/2006	Hutzet et al.	359/265

D543,955	S *	6/2007	Hayes et al.	D13/184
D600,640	S *	9/2009	Stein et al.	D13/103
D611,408	S *	3/2010	Ferber et al.	D13/108
D632,375	S	2/2011	Curran et al.	
D642,979	S *	8/2011	Chun et al.	D13/108
D646,379	S	10/2011	Huh	
D662,470	S *	6/2012	Smith et al.	D13/108
D671,949	S *	12/2012	Jeon et al.	D14/447
D672,715	S *	12/2012	Brunner et al.	D13/110
D678,192	S *	3/2013	Serota	D13/108
2009/0314295	A1	12/2009	Hatmaker	
2011/0126713	A1	6/2011	Legare	

* cited by examiner

Primary Examiner — Susan Bennett Hattan

Assistant Examiner — Brett Miller

(74) *Attorney, Agent, or Firm* — Eric D. Levinson

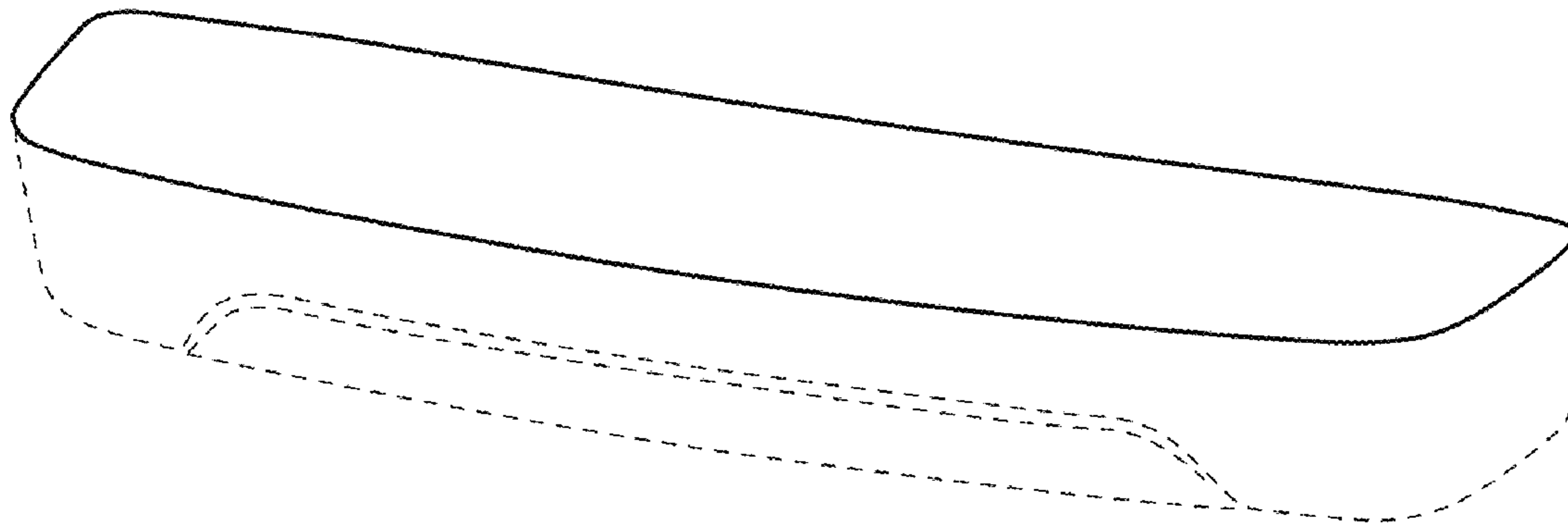
(57) **CLAIM**

The ornamental design for a battery pack for powered air purifying respirator (PAPR), as shown and described.

DESCRIPTION

FIG. 1 is a front perspective view showing the new design for a battery pack for powered air purifying respirator (PAPR) 3; FIG. 2 is a front view thereof; FIG. 3 is a back view thereof; FIG. 4 is a top view thereof; FIG. 5 is a bottom view thereof; FIG. 6 is a left view thereof; and, FIG. 7 is a right view thereof. The broken lines in the drawing depict environmental subject matter only and form no part of the claimed design.

1 Claim, 2 Drawing Sheets



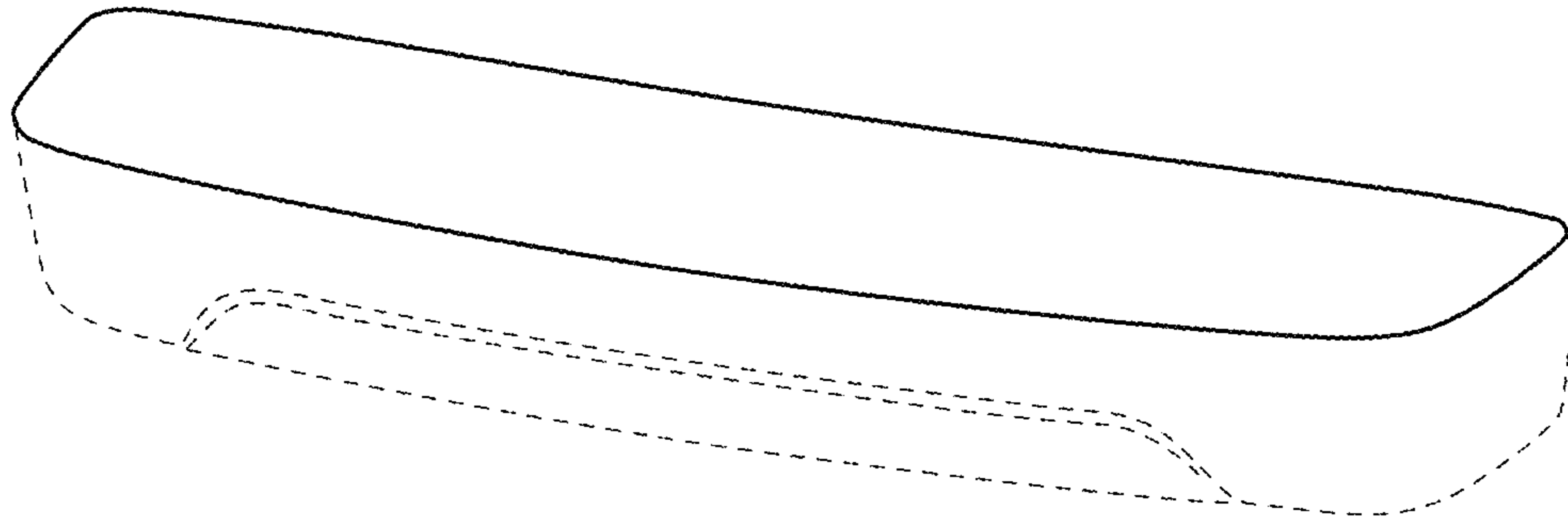


FIG. 1

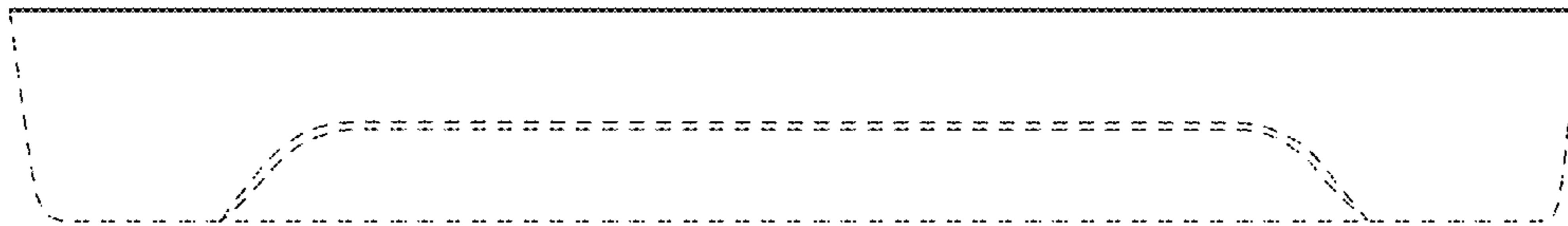


FIG. 2

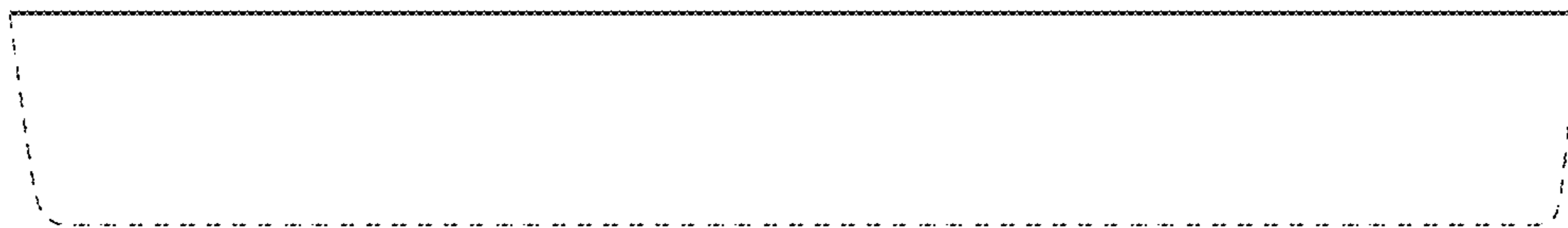


FIG. 3

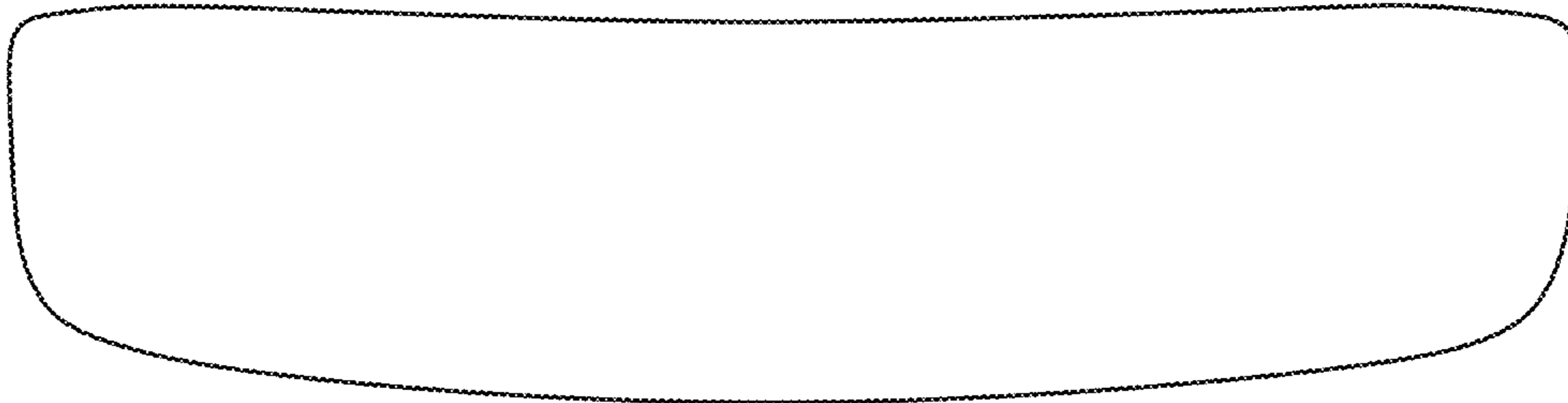


FIG. 4

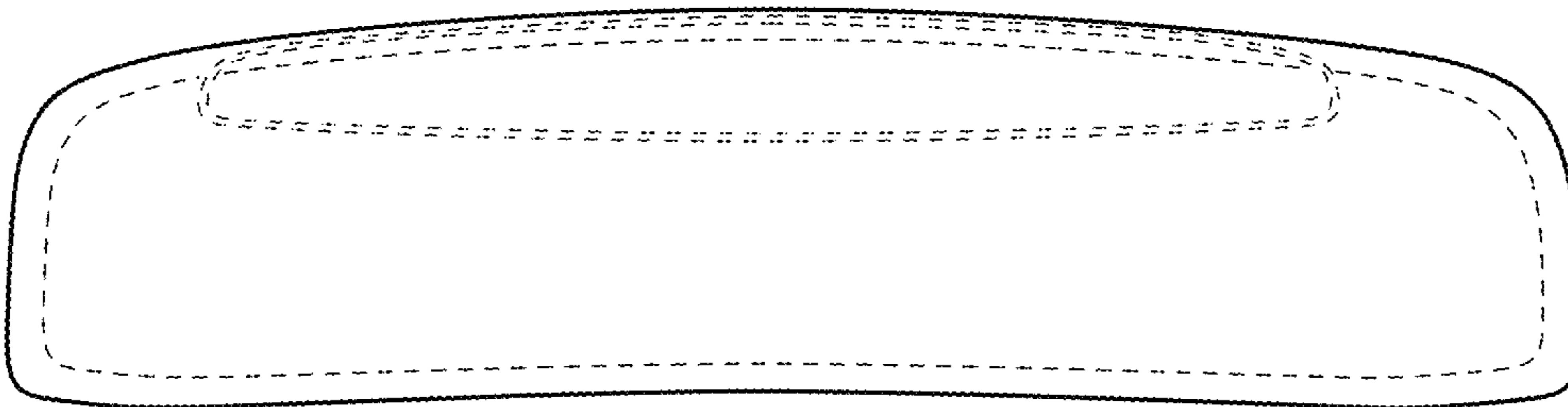


FIG. 5

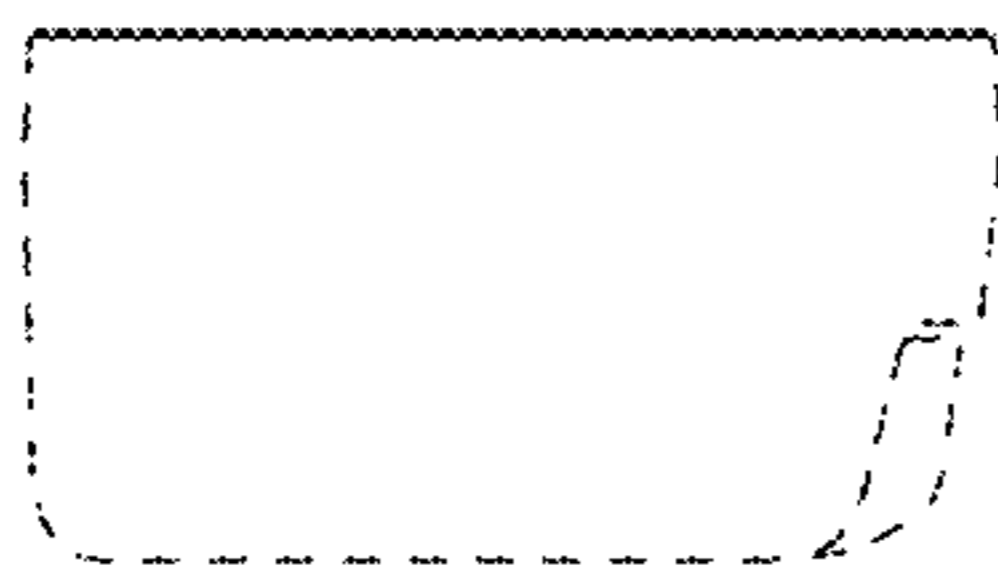


FIG. 6

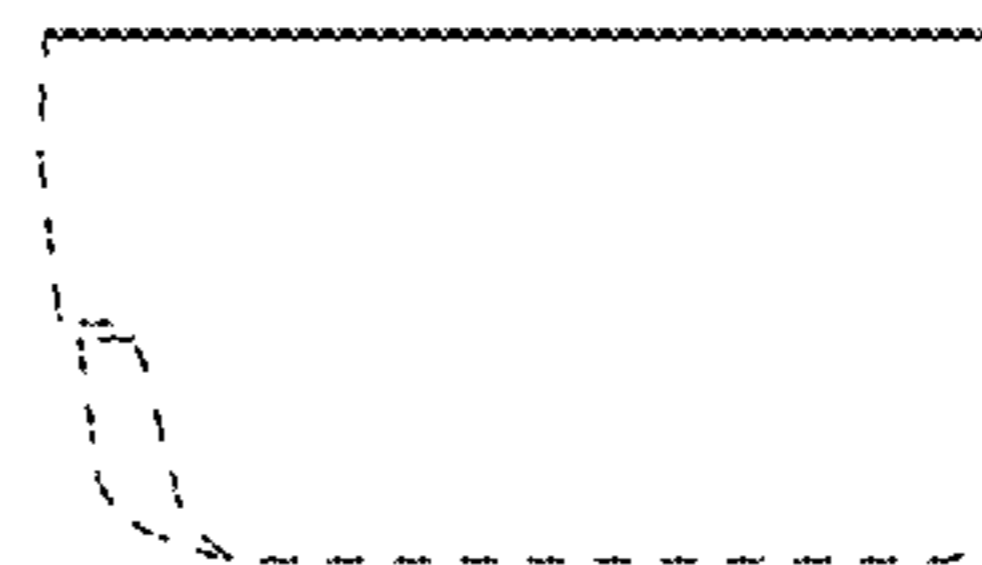


FIG. 7