



US00D710303S

(12) **United States Design Patent**
Liao et al.

(10) **Patent No.:** **US D710,303 S**

(45) **Date of Patent:** **** Aug. 5, 2014**

(54) **PLUG FOR A TURBINE**

(71) Applicants: **Ying-Chieh Liao**, Taichung (TW);
Yu-Kuo Liao, Taichung (TW)

(72) Inventors: **Ying-Chieh Liao**, Taichung (TW);
Yu-Kuo Liao, Taichung (TW)

(**) Term: **14 Years**

(21) Appl. No.: **29/471,070**

(22) Filed: **Oct. 28, 2013**

(51) **LOC (10) Cl.** **13-01**

(52) **U.S. Cl.**
USPC **D13/118**; D13/115

(58) **Field of Classification Search**
USPC D13/101, 115, 118, 122, 184, 199;
D15/1, 199; 290/43, 44; 415/4.1, 4.3,
415/4.5, 56.3, 122.1; 416/9, 12, 23, 24, 32,
416/37, 38, 44, 115, 117, 132 B, 132 R, 142,
416/169, 196 A, 197 A, 223 R, 243
See application file for complete search history.

(56) **References Cited**

U.S. PATENT DOCUMENTS

D419,518 S * 1/2000 Harrison D12/214
D543,495 S * 5/2007 Williams D12/345

D614,132 S * 4/2010 Presz et al. D13/115
D644,606 S * 9/2011 Presz et al. D13/115
2011/0229302 A1* 9/2011 Presz et al. 415/1

* cited by examiner

Primary Examiner — Derrick Holland

(74) *Attorney, Agent, or Firm* — Muncy, Geissler, Olds & Lowe, P.C.

(57) **CLAIM**

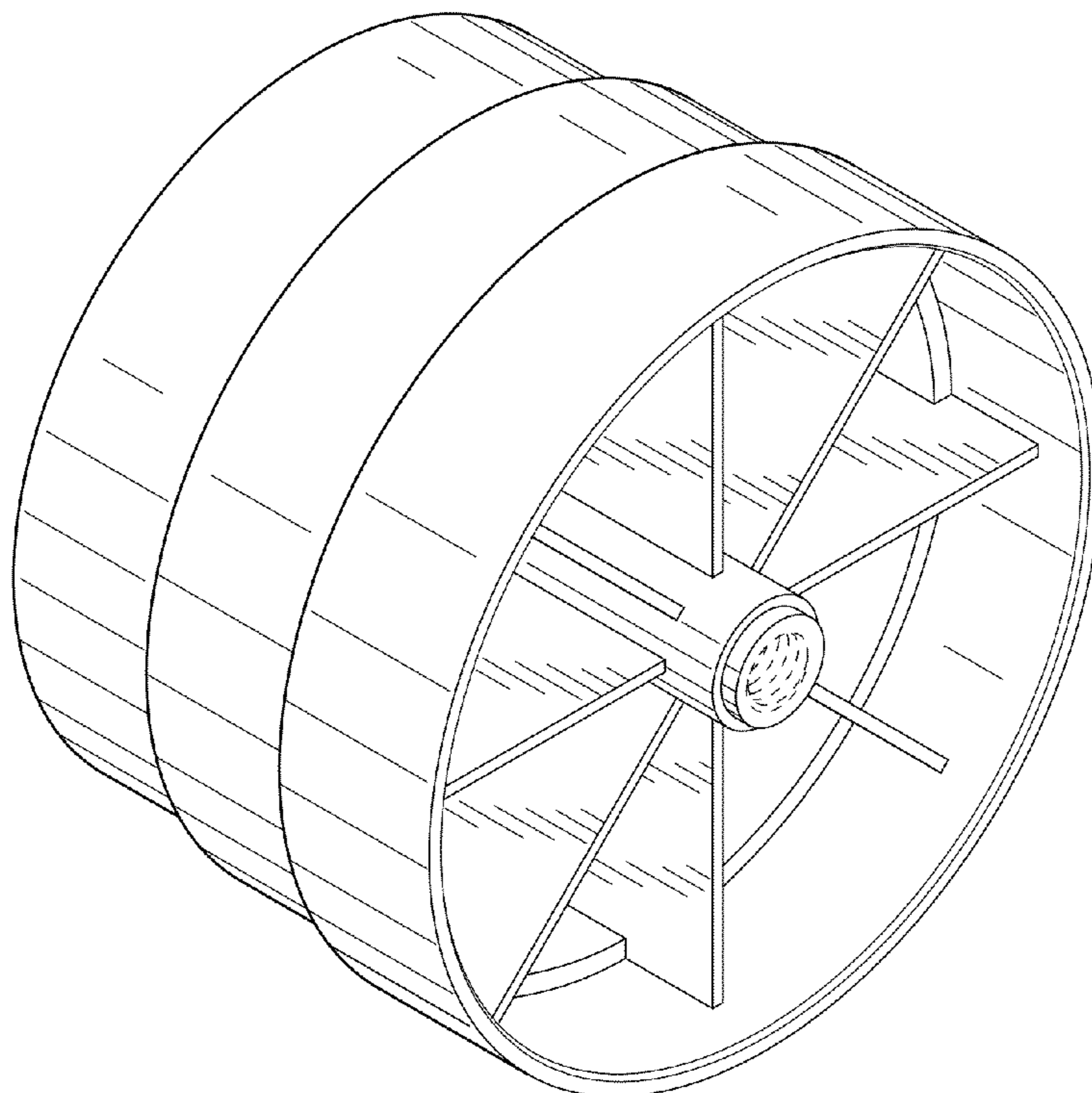
We claim the ornamental design for a plug for a turbine, as shown and described.

DESCRIPTION

FIG. 1 is a perspective view of a plug for a turbine showing our new design;
FIG. 2 is a front elevational view thereof, the rear being a mirror image;
FIG. 3 is a left side view thereof;
FIG. 4 is a right side view thereof;
FIG. 5 is a top plan view thereof, the bottom plan view being an identical image;
FIG. 6 is another perspective view thereof; and,
FIG. 7 is another perspective view thereof, shown in environmental use.

The portions shown in broken lines are for the purpose of illustrating environmental structure only and form no part of the claimed design.

1 Claim, 6 Drawing Sheets



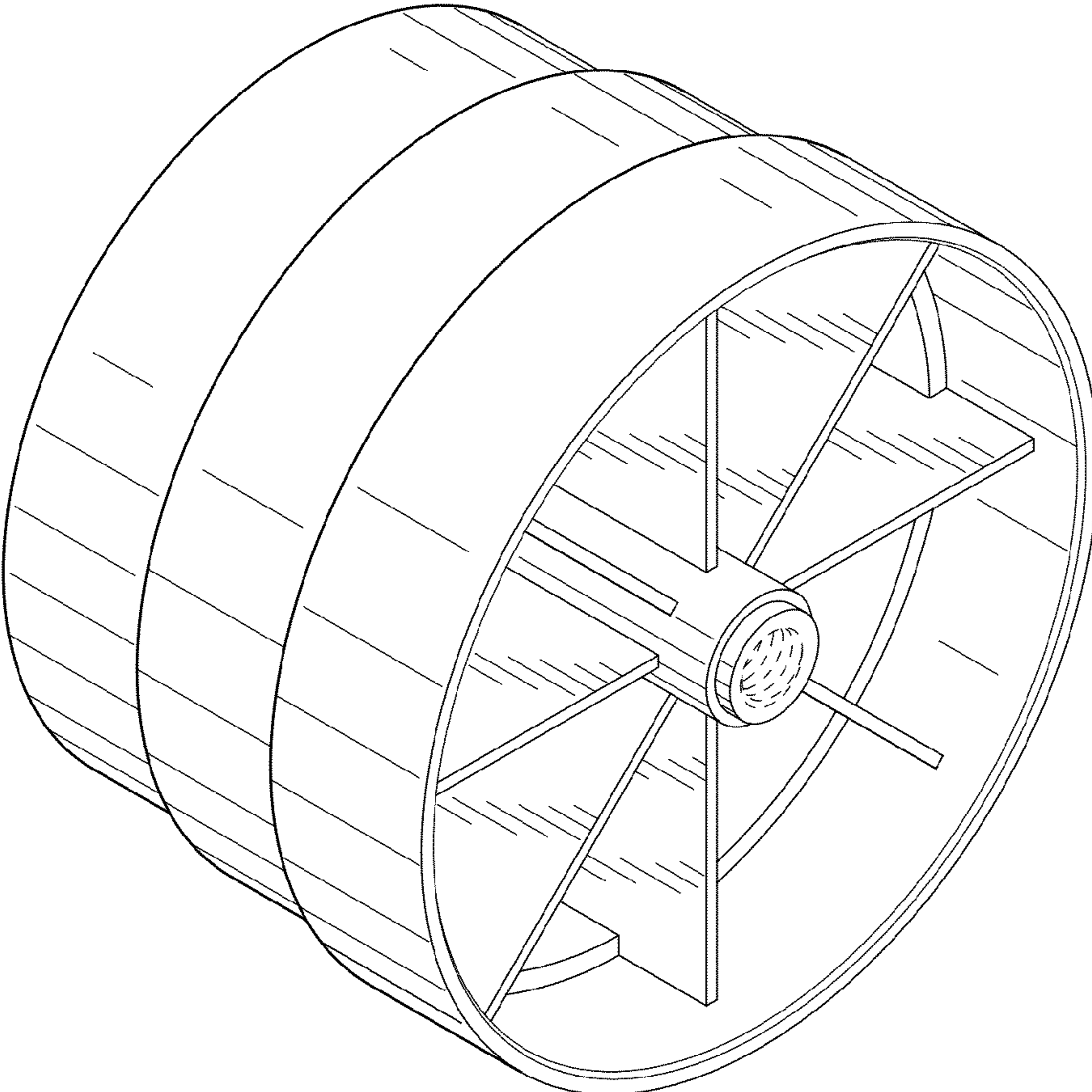


FIG. 1

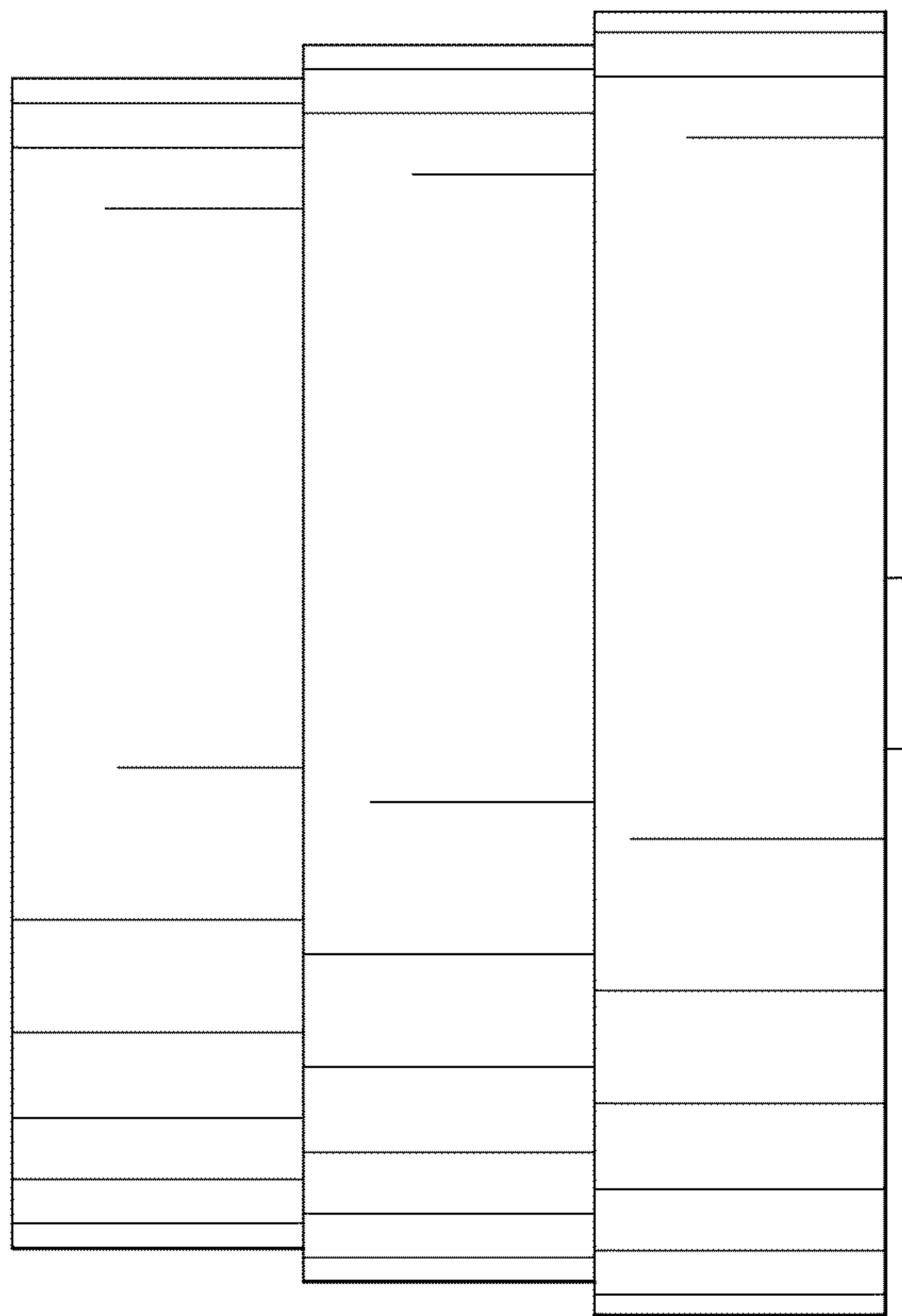


FIG. 2

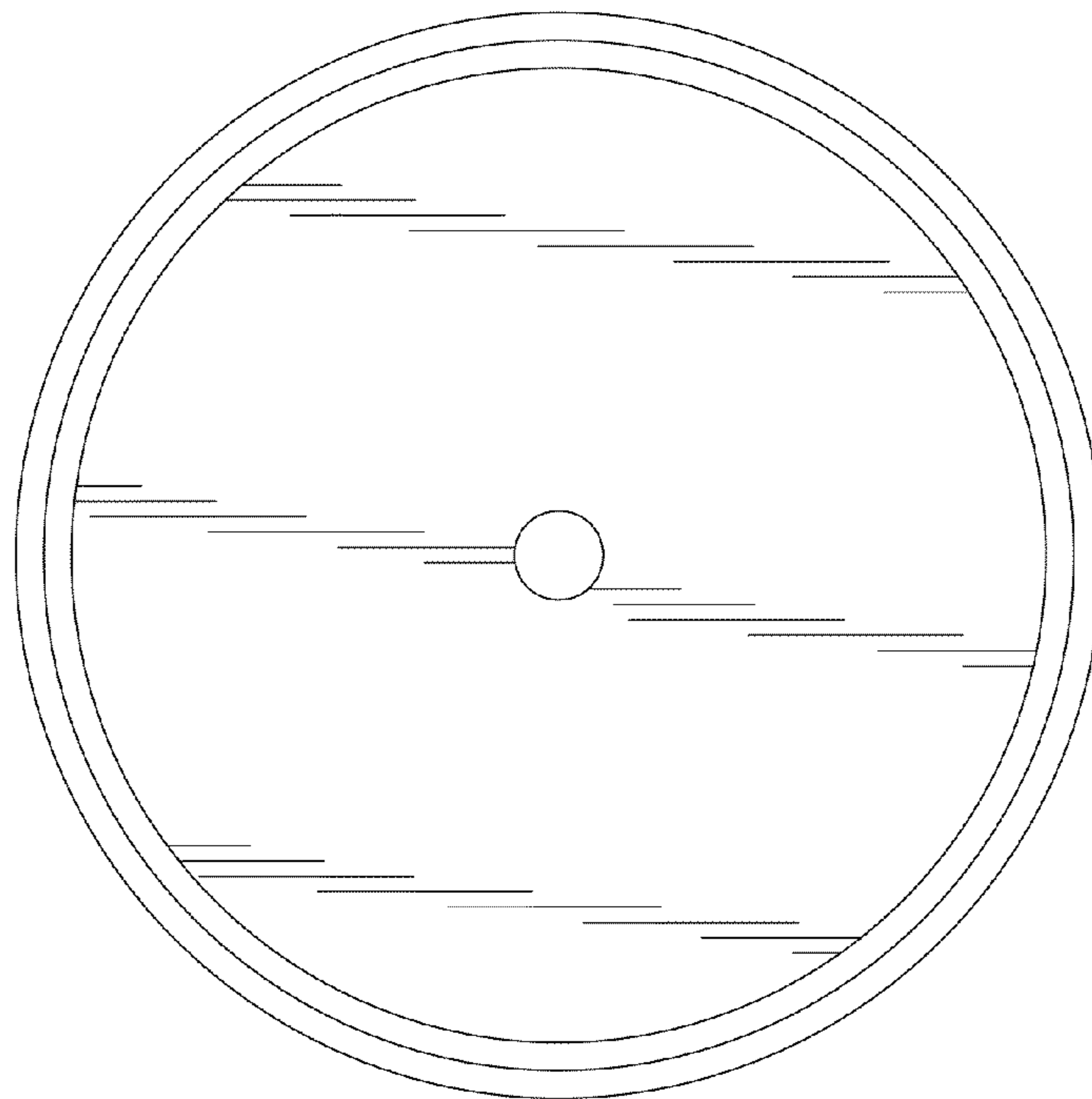


FIG. 3

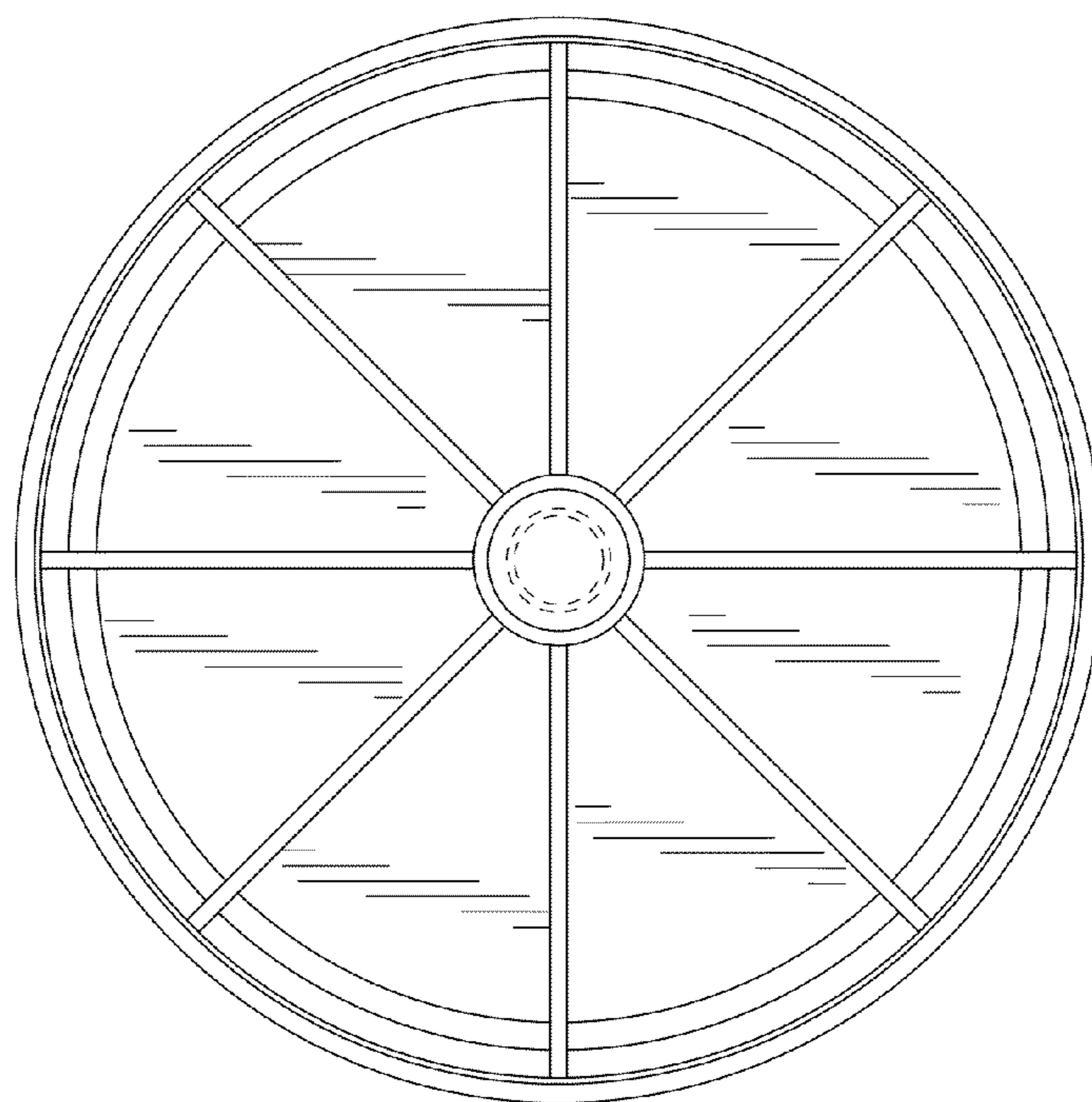


FIG. 4

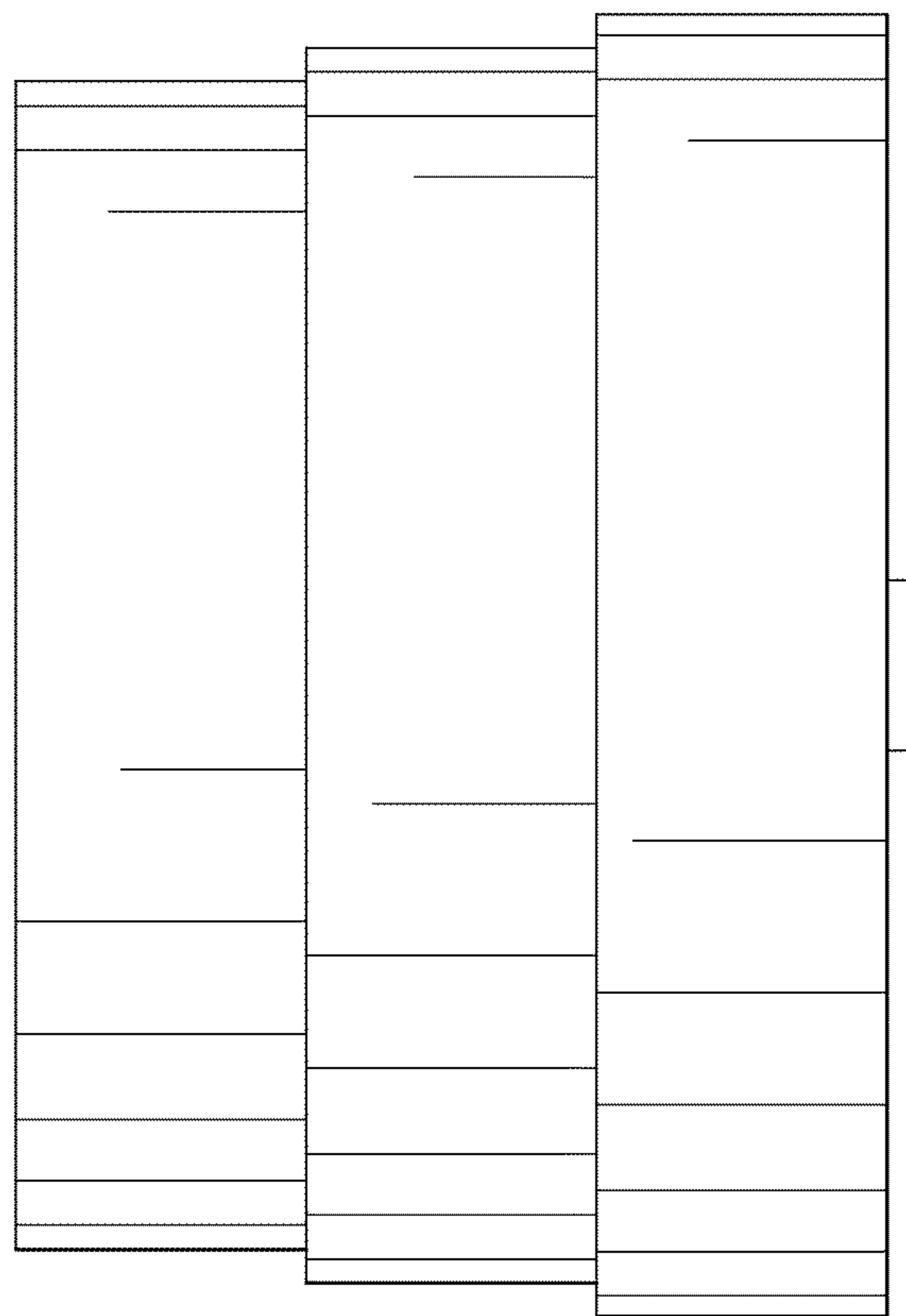


FIG. 5

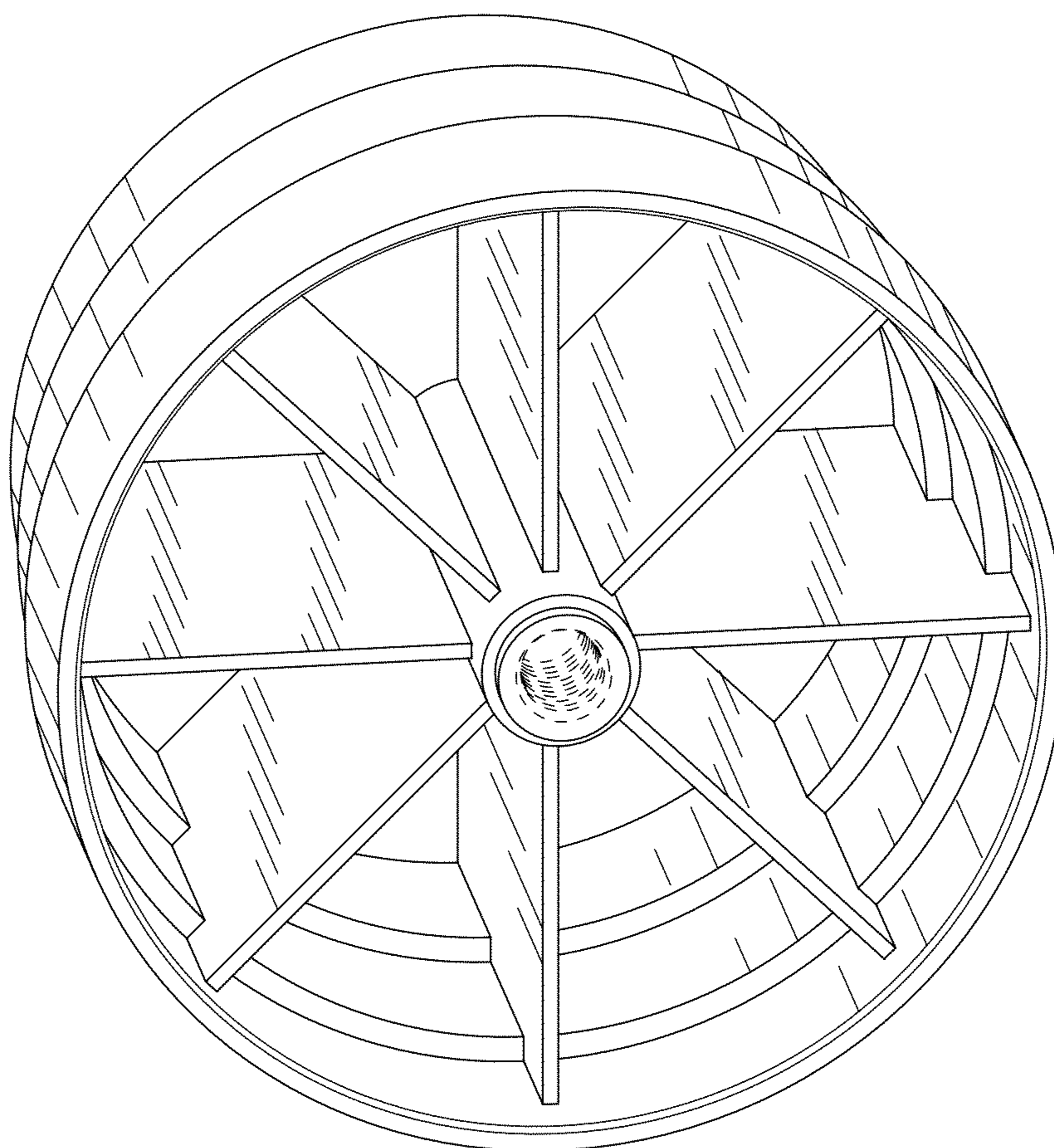


FIG. 6

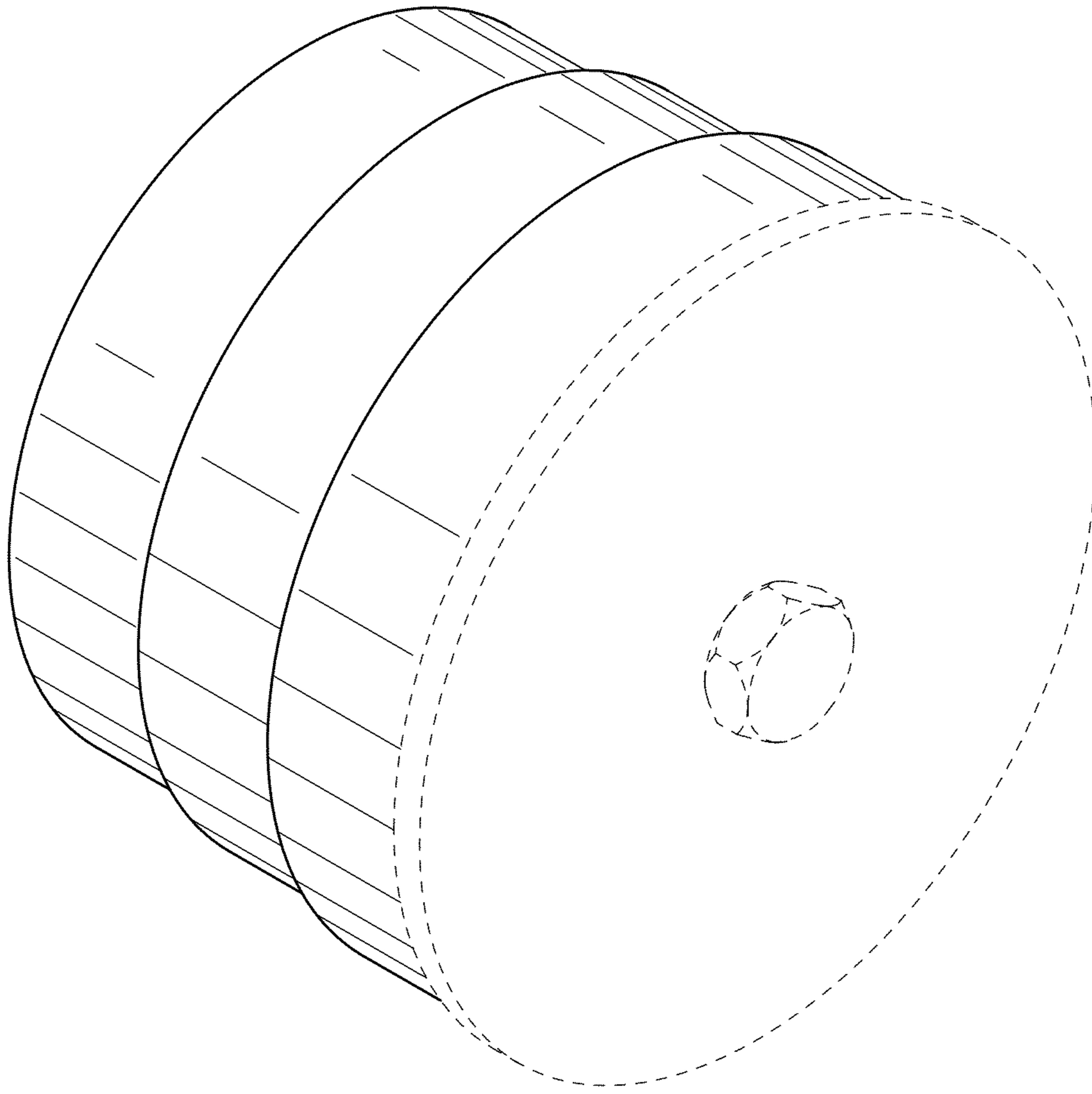


FIG. 7