



US00D710302S

(12) **United States Design Patent**
Culbertson et al.

(10) **Patent No.:** **US D710,302 S**

(45) **Date of Patent:** **** Aug. 5, 2014**

(54) **REACTOR VESSEL RADIATION SHIELDING**

(56) **References Cited**

(71) Applicant: **American Ceramic Technology**, Poway,
CA (US)

U.S. PATENT DOCUMENTS

(72) Inventors: **Robert Scott Culbertson**, San Diego,
CA (US); **Mark Paul Milewski**,
Schaumburg, IL (US); **Patrick Tony**
Pangacian, San Diego, CA (US)

D200,774 S * 4/1965 Livingston D13/127
D352,274 S * 11/1994 Daleo D13/153
D482,499 S * 11/2003 Garrido et al. D29/100
D691,085 S * 10/2013 Shargots et al. D13/101

* cited by examiner

(73) Assignee: **American Ceramic Technology**, Poway,
CA (US)

Primary Examiner — Derrick Holland

(74) *Attorney, Agent, or Firm* — Mastermind IP Law P.C.;
Daniel L. Gardner

(**) Term: **14 Years**

(57) **CLAIM**

The ornamental design for a reactor vessel radiation shield-
ing, substantially as shown and described.

(21) Appl. No.: **29/438,312**

DESCRIPTION

(22) Filed: **Nov. 28, 2012**

(51) **LOC (10) Cl.** **13-02**

(52) **U.S. Cl.**
USPC **D13/118**

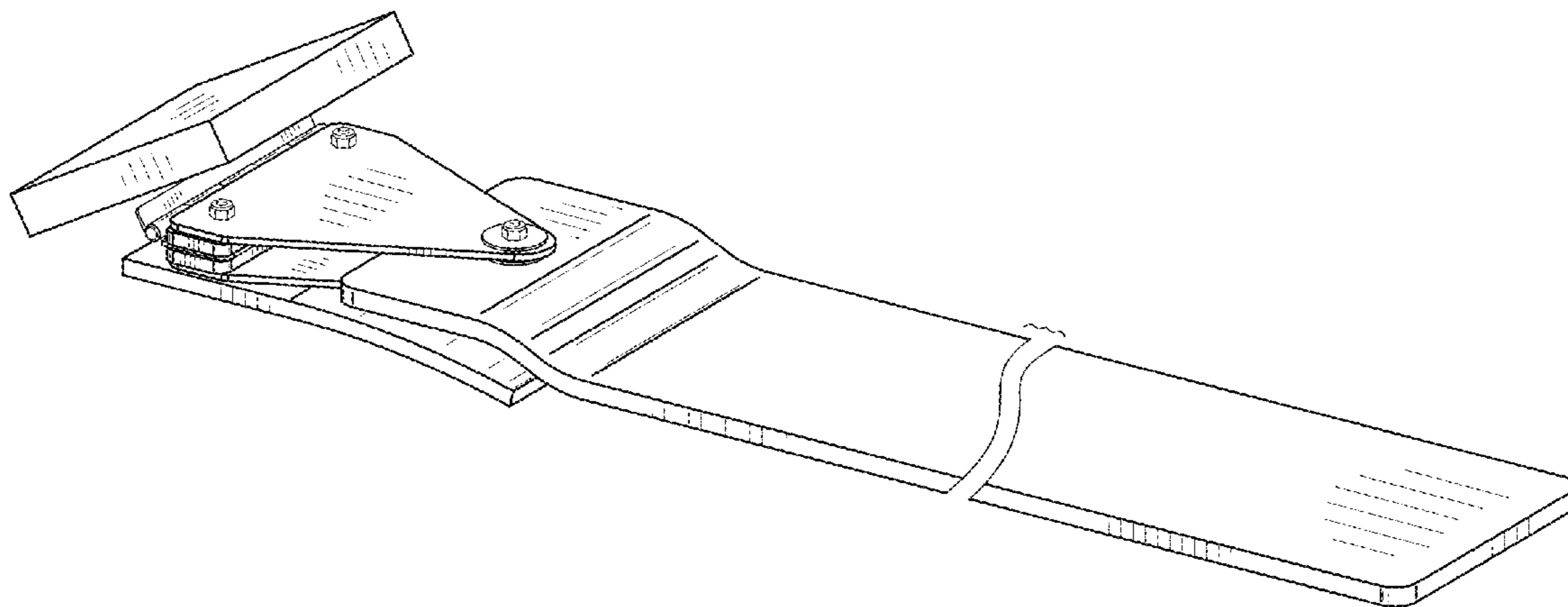
(58) **Field of Classification Search**
USPC D13/118, 101, 127, 153, 184, 199;
376/220, 228, 327, 347, 384, 389;
378/203, 208, 210; 422/129, 139, 140,
422/141, 145

FIG. 1 is a front perspective view of a reactor vessel radiation
shielding showing the new design;
FIG. 2 is a rear perspective view thereof;
FIG. 3 is a front view thereof;
FIG. 4 is a rear view thereof;
FIG. 5 is a left side view thereof;
FIG. 6 is a right side view thereof;
FIG. 7 is a top view thereof; and,
FIG. 8 is a bottom view thereof.

The particular length and dimensions of the shielding
depicted in the figures form no part of the claimed design, as
no particular length and/or dimension is claimed.

See application file for complete search history.

1 Claim, 3 Drawing Sheets



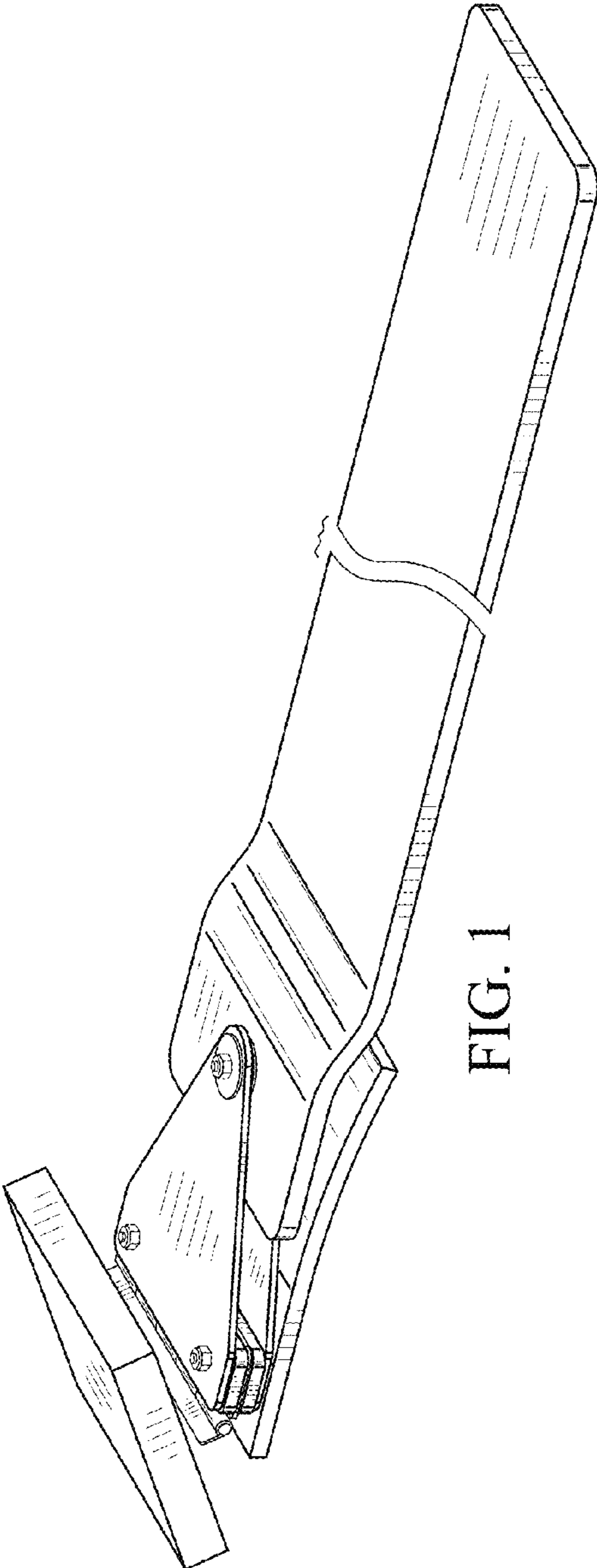


FIG. 1

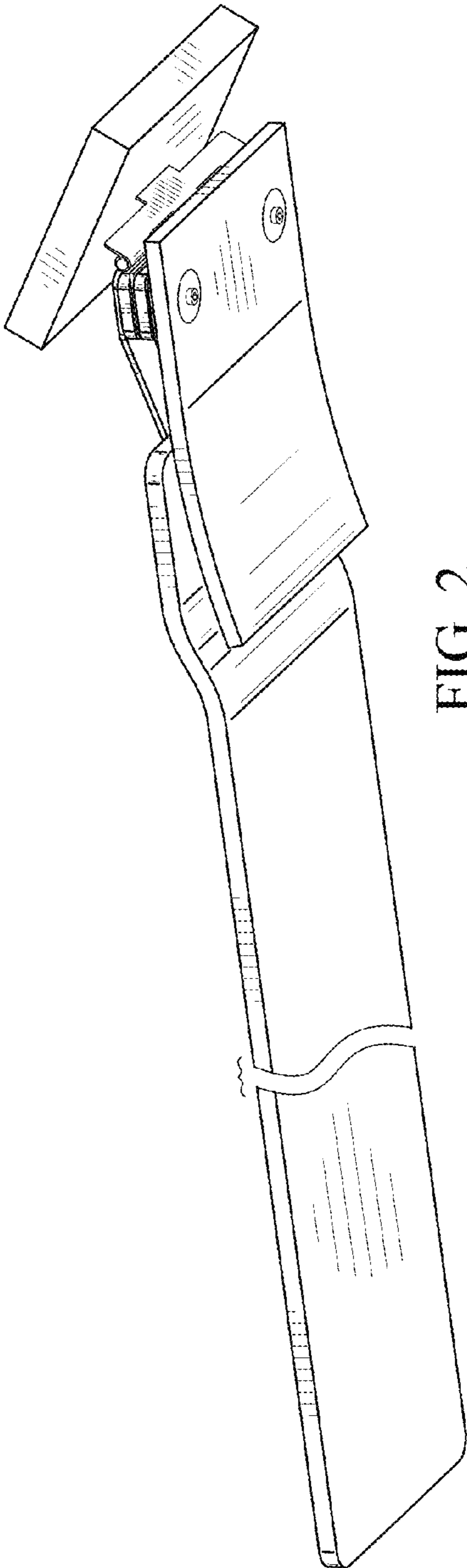


FIG. 2

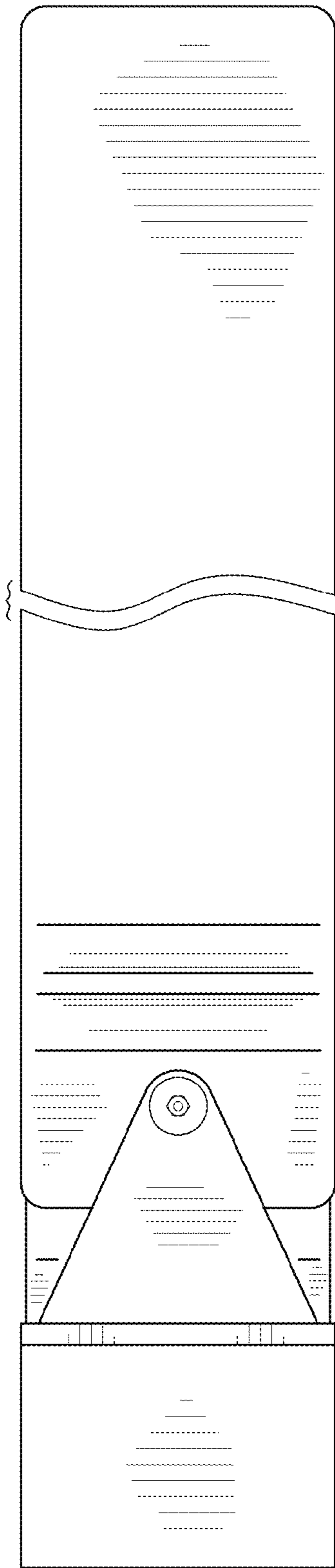


FIG. 3

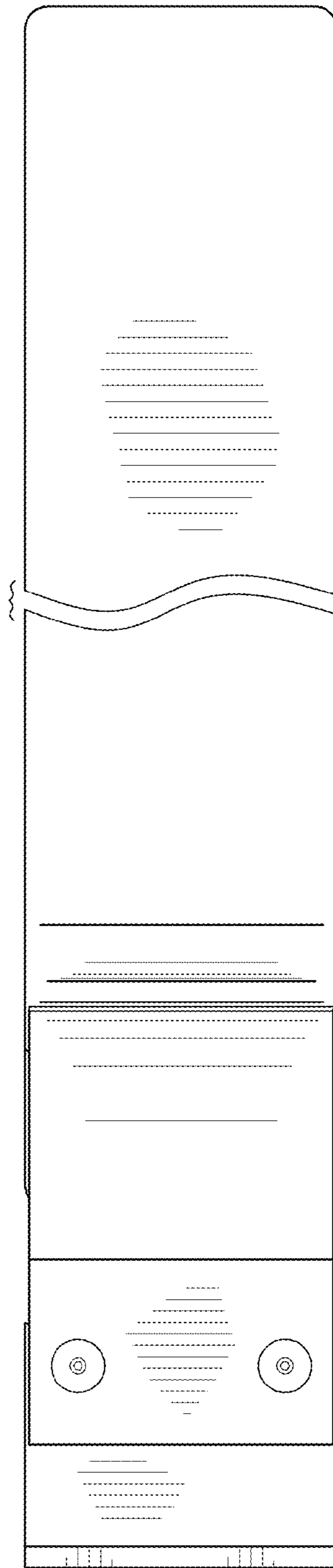


FIG. 4

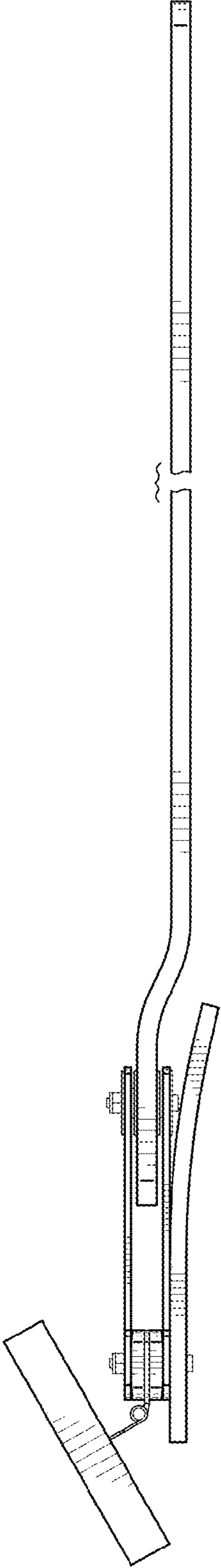


FIG. 5

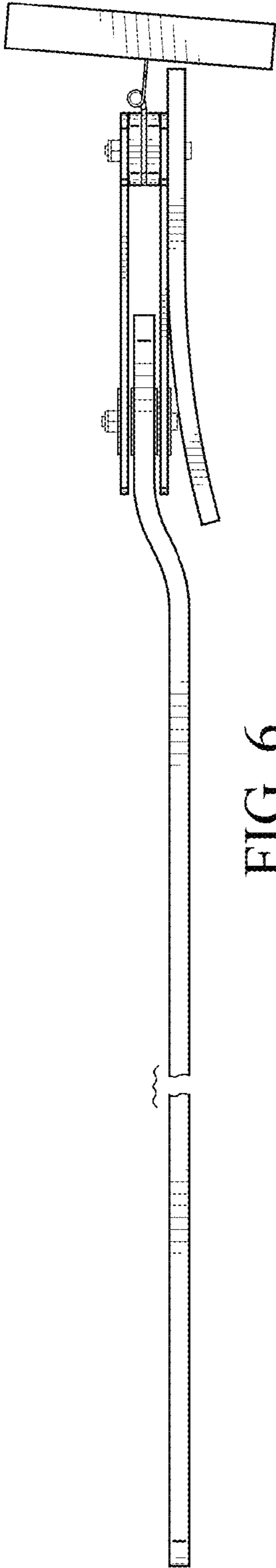


FIG. 6

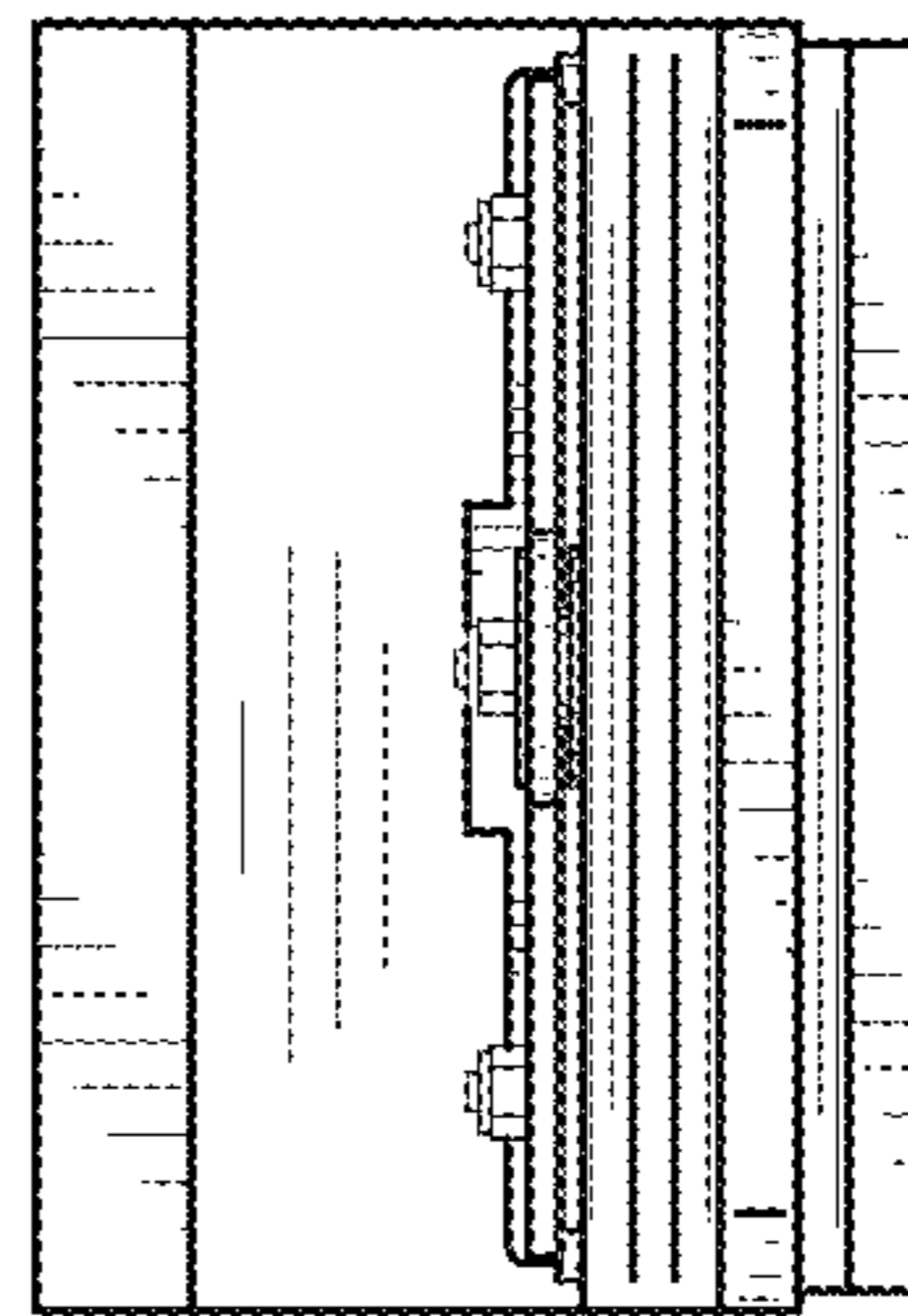


FIG. 7

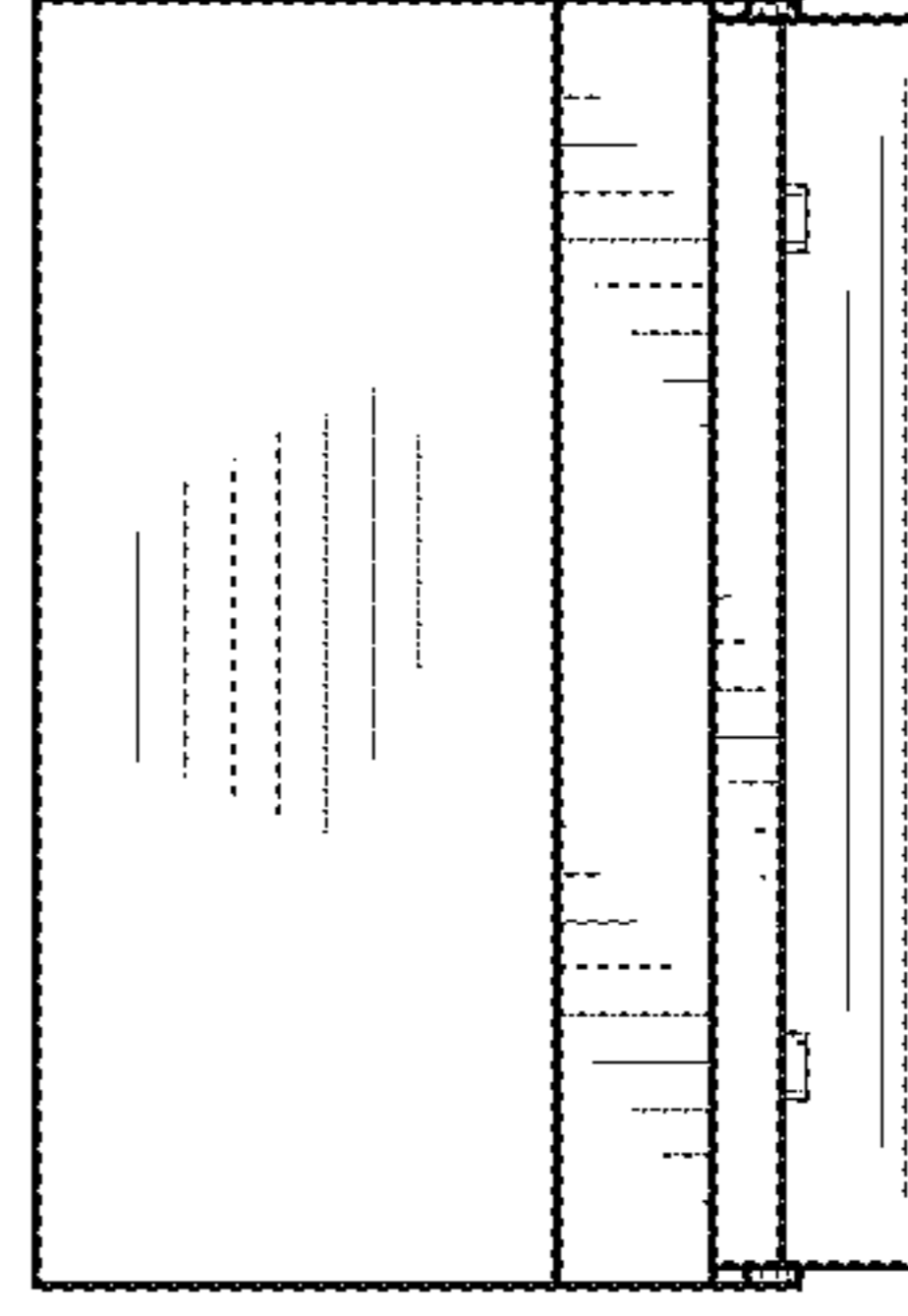


FIG. 8