



US00D710301S

(12) **United States Design Patent**  
**Ferro**

(10) **Patent No.:** **US D710,301 S**

(45) **Date of Patent:** **\*\* Aug. 5, 2014**

(54) **GENERATOR**

(71) Applicant: **Daniel Ferro**, Gifp-Oberfrick (CH)

(72) Inventor: **Daniel Ferro**, Gifp-Oberfrick (CH)

(73) Assignee: **Bron Elektronik AG**, Sllschwill (CH)

(\*\*) Term: **14 Years**

(21) Appl. No.: **29/448,861**

(22) Filed: **Mar. 14, 2013**

(30) **Foreign Application Priority Data**

Sep. 14, 2012 (EM) ..... 002103333-0001

(51) **LOC (10) Cl.** ..... **13-01**

(52) **U.S. Cl.**  
USPC ..... **D13/116**

(58) **Field of Classification Search**  
USPC ..... D13/116, 101, 106, 107, 112, 118, 119,  
D13/122, 184, 199; D16/239, 250; 290/1 A,  
290/1 B; 307/64, 150, 151, 153; 320/103,  
320/104, 105, 107, 111  
See application file for complete search history.

(56) **References Cited**

**U.S. PATENT DOCUMENTS**

D282,252 S \* 1/1986 Yamaguchi et al. .... D13/116  
D309,597 S \* 7/1990 Higuchi et al. .... D13/116  
D414,461 S \* 9/1999 Wang ..... D13/116

6,091,160 A \* 7/2000 Kouchi et al. .... 290/1 A  
6,100,599 A \* 8/2000 Kouchi et al. .... 290/1 A  
D477,569 S \* 7/2003 Iwatate et al. .... D13/116  
D506,723 S \* 6/2005 Krieger et al. .... D13/107  
D547,718 S \* 7/2007 Helgeson et al. .... D13/116  
D609,634 S \* 2/2010 Daniels et al. .... D13/107  
D626,067 S \* 10/2010 Seropjan ..... D13/116  
D630,581 S \* 1/2011 Xu et al. .... D13/116

\* cited by examiner

*Primary Examiner* — Derrick Holland

(74) *Attorney, Agent, or Firm* — David I. Roche; Baker & McKenzie LLP

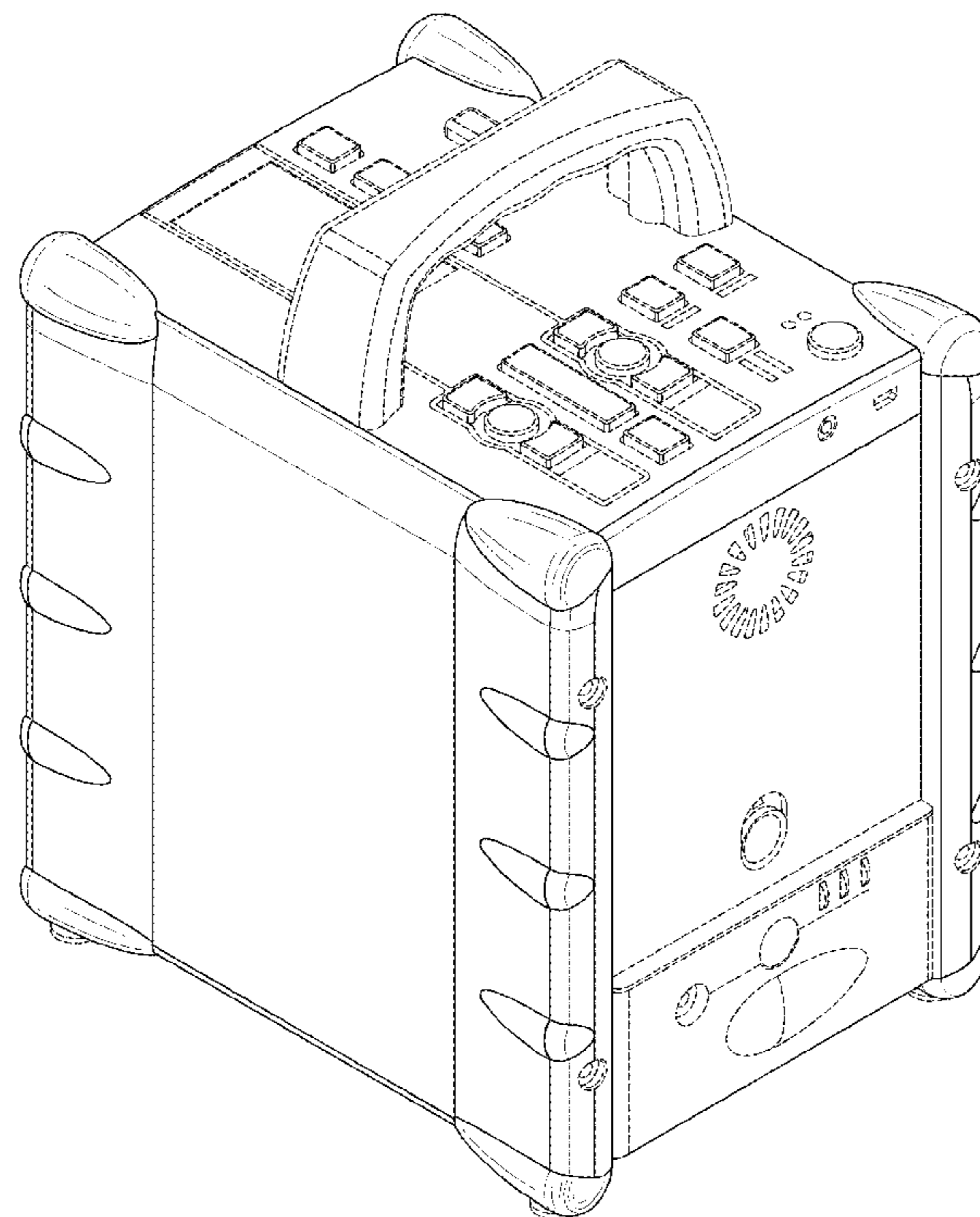
(57) **CLAIM**

The ornamental design for a generator, as shown and described.

**DESCRIPTION**

FIG. 1 is a front perspective view of a generator showing my new design;  
FIG. 2 is a left side elevational view thereof;  
FIG. 3 is a right side elevational view thereof;  
FIG. 4 is a rear elevational view thereof;  
FIG. 5 is a front elevational view thereof;  
FIG. 6 is a top plan view thereof; and,  
FIG. 7 is a bottom plan view thereof.  
The broken lines shown represent unclaimed subject matter and form no part of the claimed design.

**1 Claim, 7 Drawing Sheets**



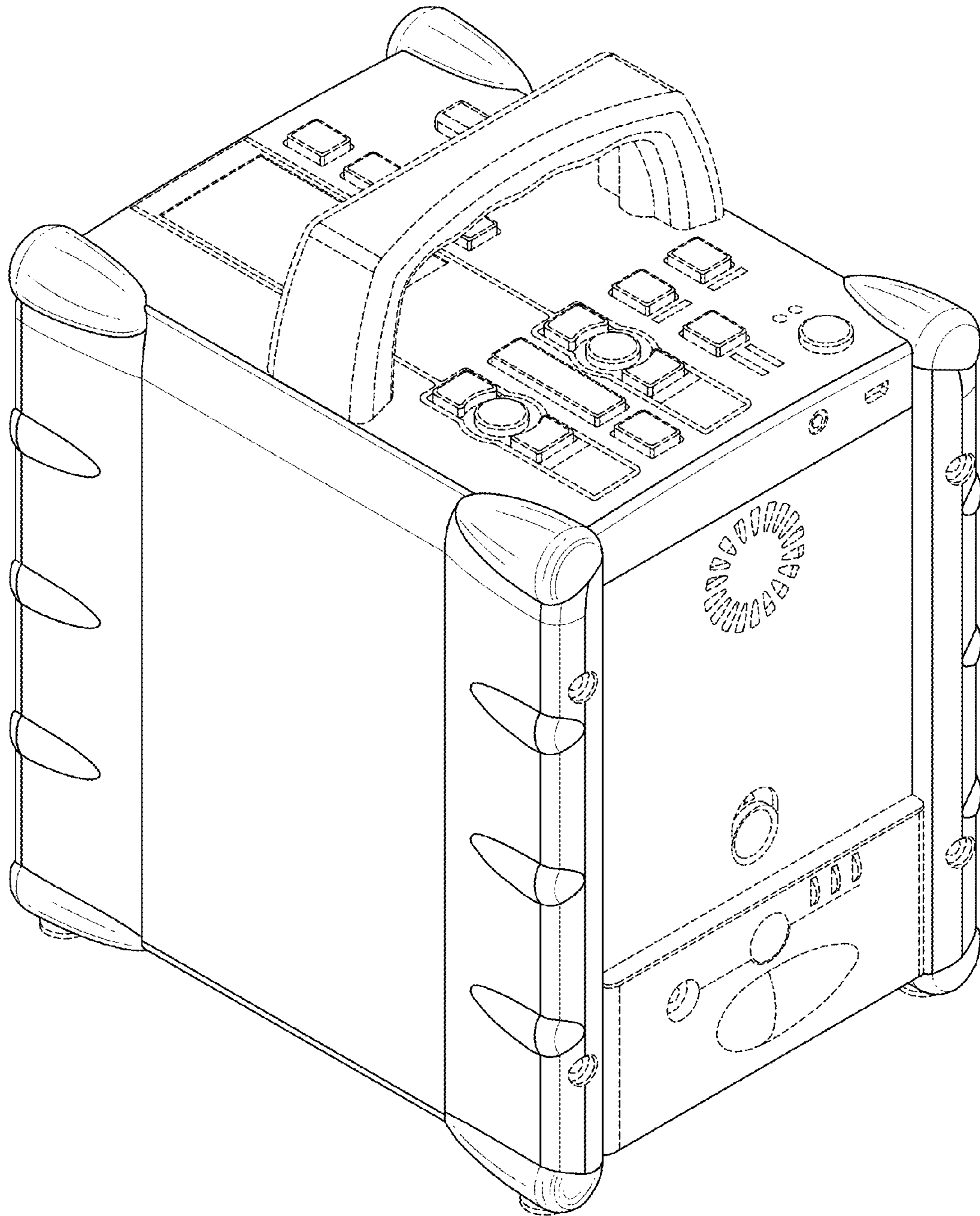


FIG. 1

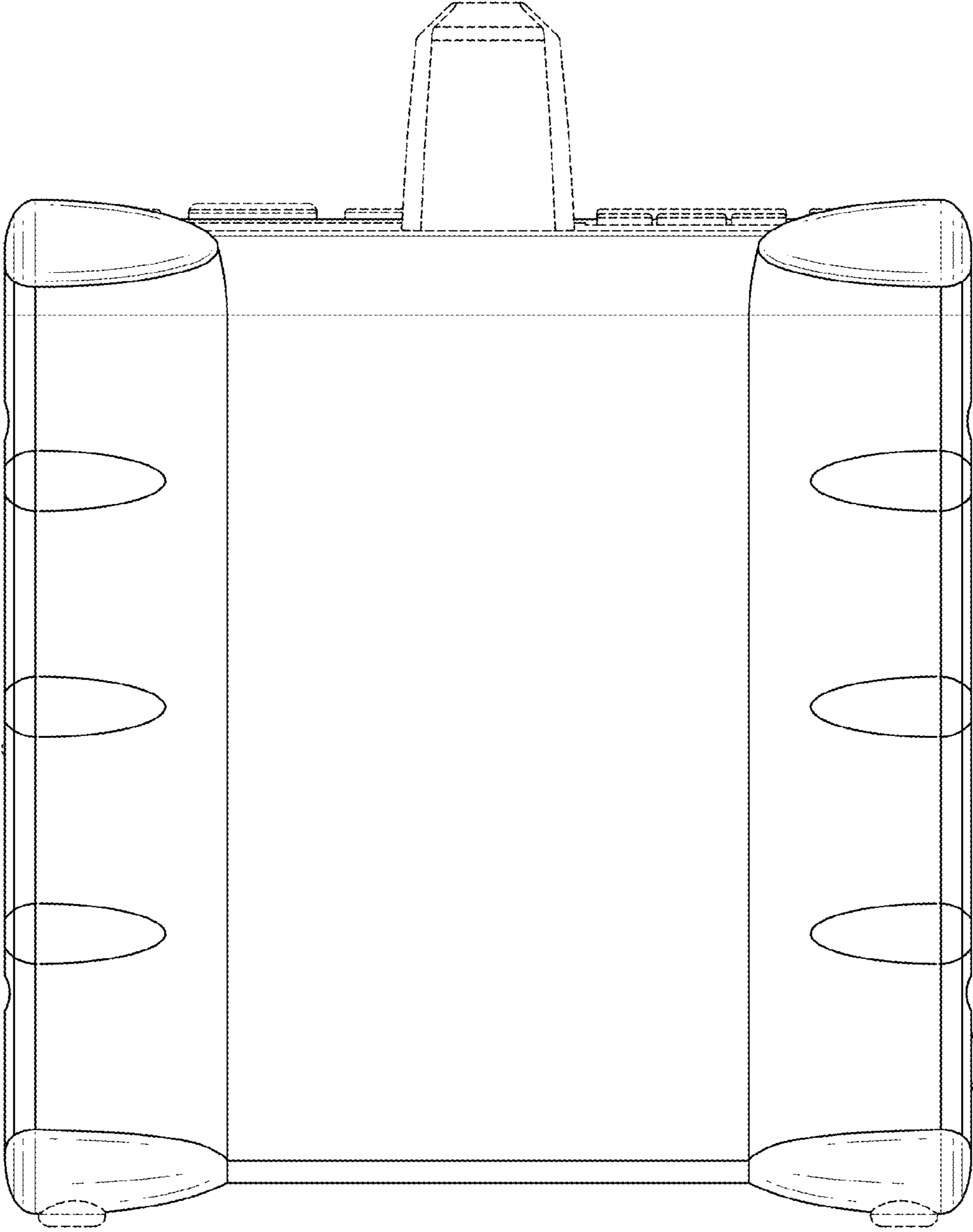


FIG. 2

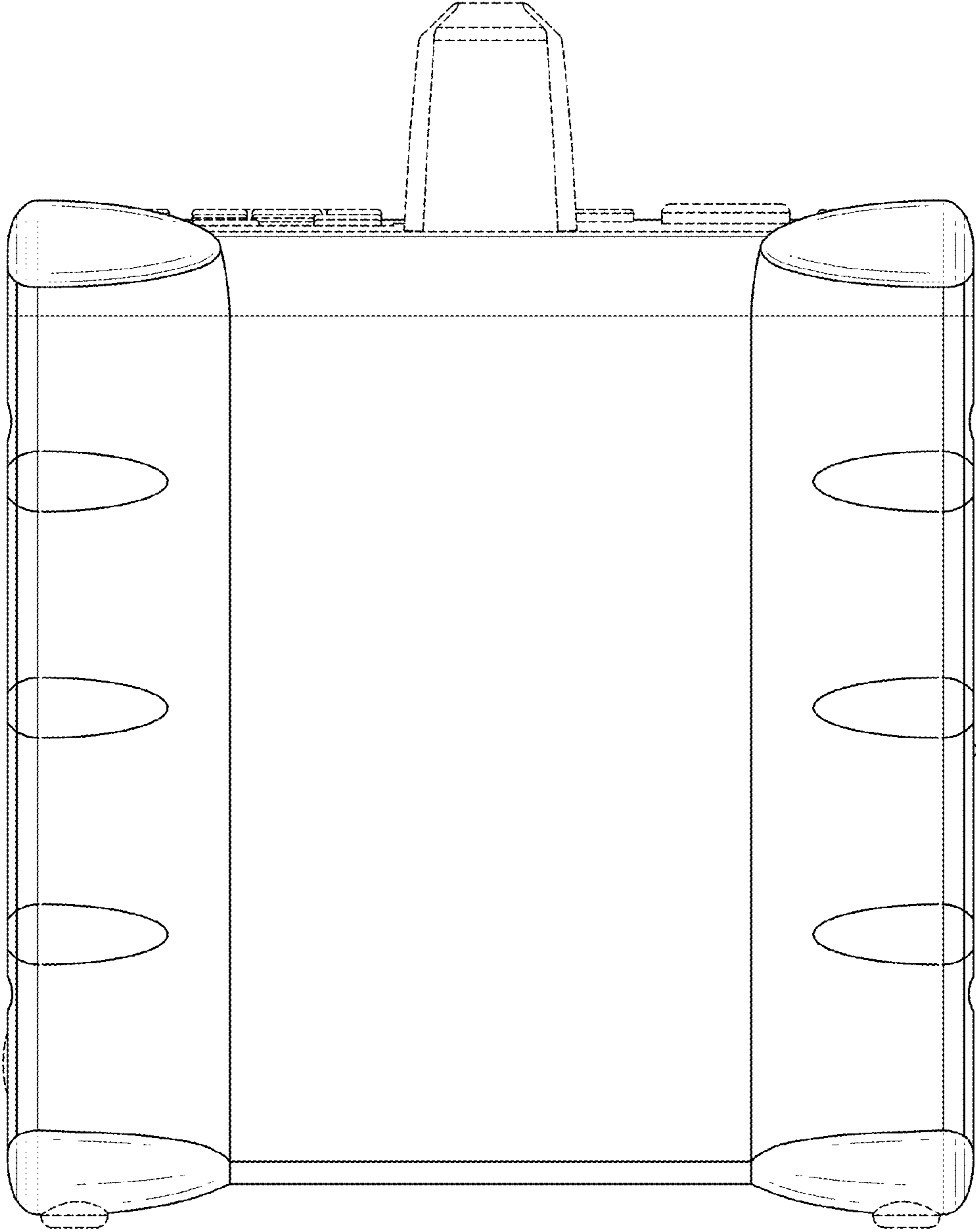


FIG. 3

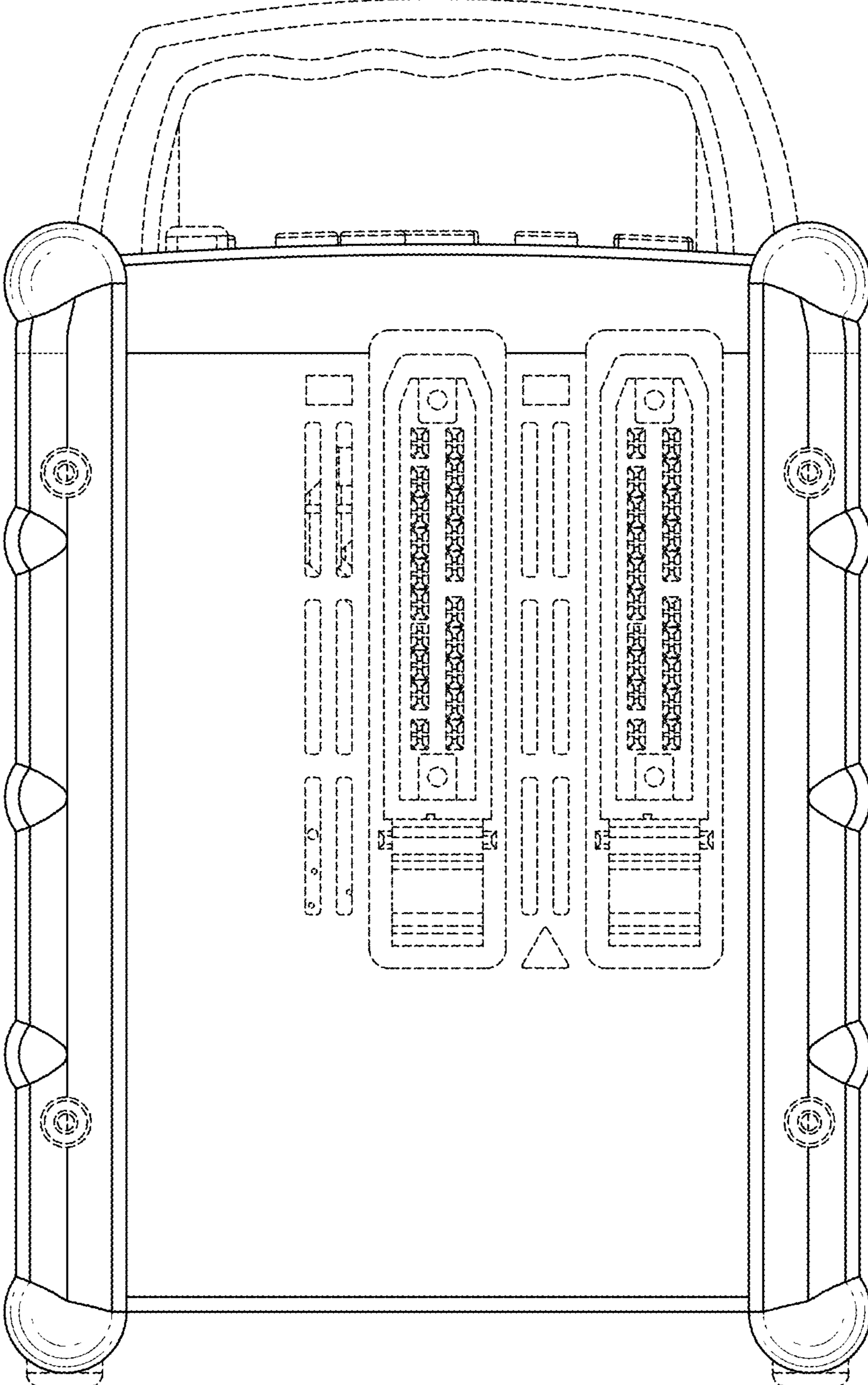


FIG.4

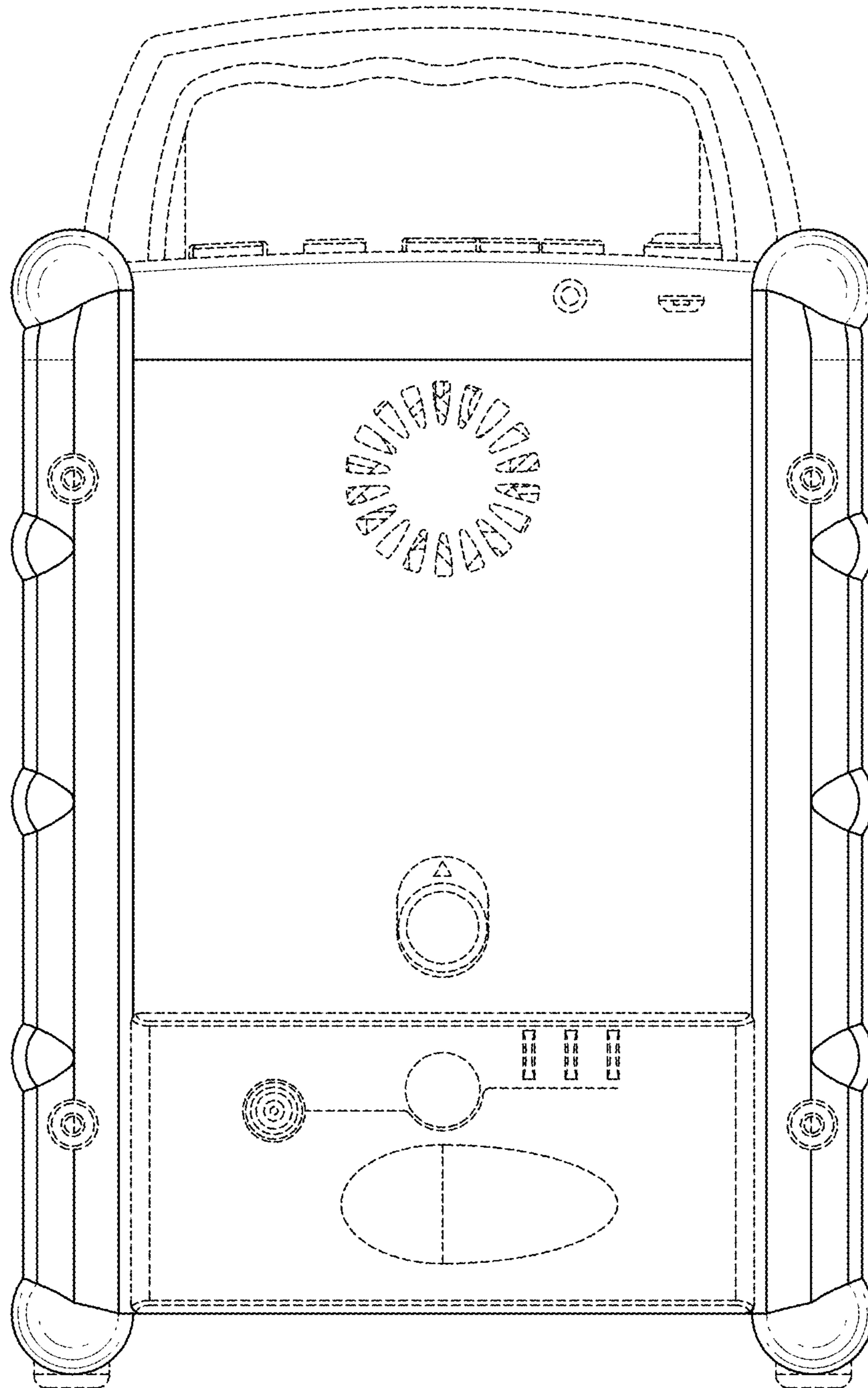


FIG. 5

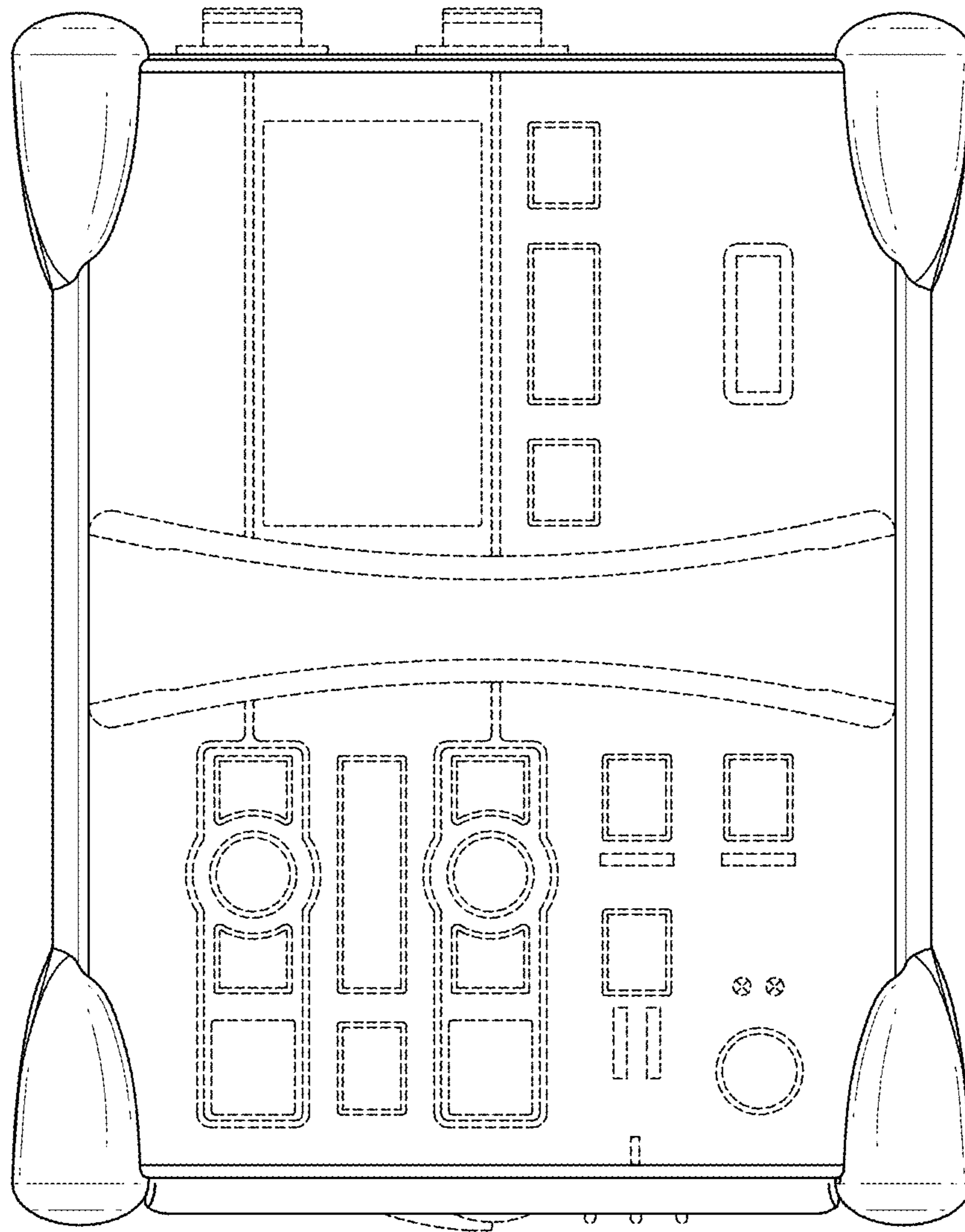


FIG. 6

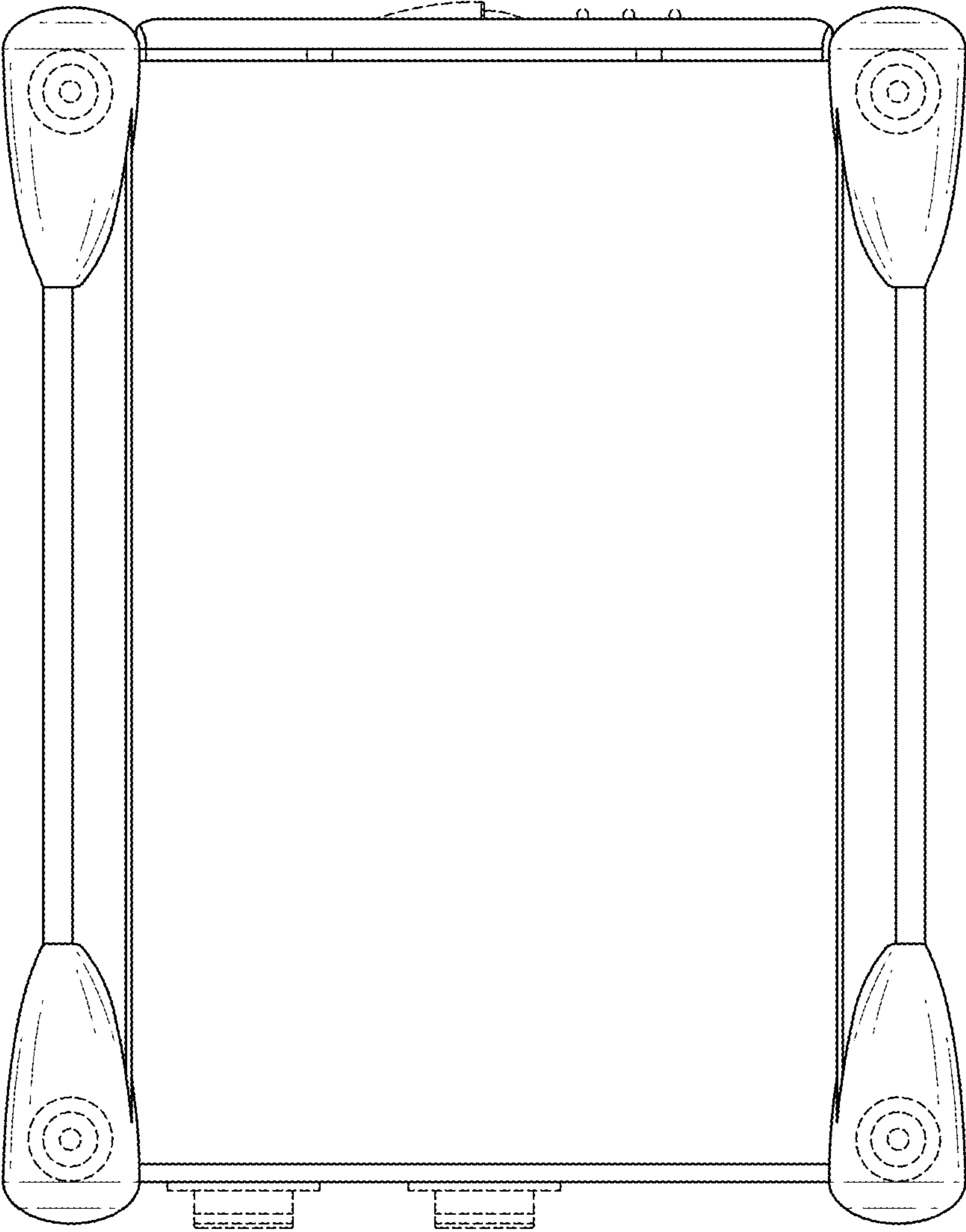


FIG. 7