



US00D710300S

(12) **United States Design Patent**  
**Burke**

(10) **Patent No.:** **US D710,300 S**

(45) **Date of Patent:** **\*\* Aug. 5, 2014**

(54) **PERSONAL EMERGENCY RESPONSE  
DEVICE CHARGING BASE**

(71) Applicant: **Numera**, Seattle, WA (US)

(72) Inventor: **Jonathan Christopher Burke**, Berkeley,  
CA (US)

(73) Assignee: **Numera, Inc.**, Seattle, WA (US)

(\*\*) Term: **14 Years**

(21) Appl. No.: **29/451,209**

(22) Filed: **Mar. 28, 2013**

(51) **LOC (10) Cl.** ..... **13-02**

(52) **U.S. Cl.**  
USPC ..... **D13/108**

(58) **Field of Classification Search**  
CPC ..... Y02E 60/12; Y02T 90/14; Y02T 90/122;  
Y02T 90/128; Y02T 90/163; H02J 7/025;  
H02J 7/0042; H02J 7/0045; H02J 7/0003;  
H01F 38/14; H01R 13/6675; H01M 2/1022;  
H01M 2/1055; H01M 10/44; H01M 10/46;  
H01M 10/425; B60L 11/182  
USPC ..... D13/107-110, 118-119, 184, 199;  
D14/251, 253, 432, 434; 320/107-115  
See application file for complete search history.

(56) **References Cited**

**U.S. PATENT DOCUMENTS**

D279,185 S \* 6/1985 Felix et al. .... D14/251  
D413,118 S 8/1999 Waldner  
D429,242 S \* 8/2000 Sun ..... D14/253  
D499,077 S 11/2004 Kudou et al.  
D501,191 S \* 1/2005 Siebke ..... D14/149

D504,397 S 4/2005 Lodato et al.  
D508,019 S \* 8/2005 Lamason et al. .... D13/108  
D534,862 S 1/2007 Aguilar  
D601,498 S \* 10/2009 Aglassinger ..... D13/107  
D606,545 S 12/2009 Salmon  
D608,350 S 1/2010 Bo  
7,783,278 B2 8/2010 MacIver et al.  
D635,979 S 4/2011 Wu et al.  
D636,395 S 4/2011 Anderson et al.  
D645,847 S 9/2011 Chau et al.  
D669,028 S \* 10/2012 Ino et al. .... D13/108  
D674,337 S \* 1/2013 Au Yeung ..... D13/108  
D693,815 S \* 11/2013 Son ..... D14/434  
2013/0241470 A1 \* 9/2013 Kim ..... 320/107

\* cited by examiner

*Primary Examiner* — Rosemary K Tarcza

(74) *Attorney, Agent, or Firm* — Dennis A. Bennett; Gale  
Starkey

(57) **CLAIM**

The ornamental design for a personal emergency response  
device charging base, as shown and described.

**DESCRIPTION**

FIG. 1 is a front perspective view of a personal emergency  
response device charging base showing my new design;  
FIG. 2 is a back perspective view thereof;  
FIG. 3 is a front elevation view thereof;  
FIG. 4 is a left side elevation view thereof;  
FIG. 5 is a right side elevation view thereof;  
FIG. 6 is a top plan view thereof;  
FIG. 7 is a bottom plan view thereof; and,  
FIG. 8 is a back elevation view thereof.

The broken line disclosure is for illustrative purposes only  
and forms no part of the claimed design.

**1 Claim, 4 Drawing Sheets**

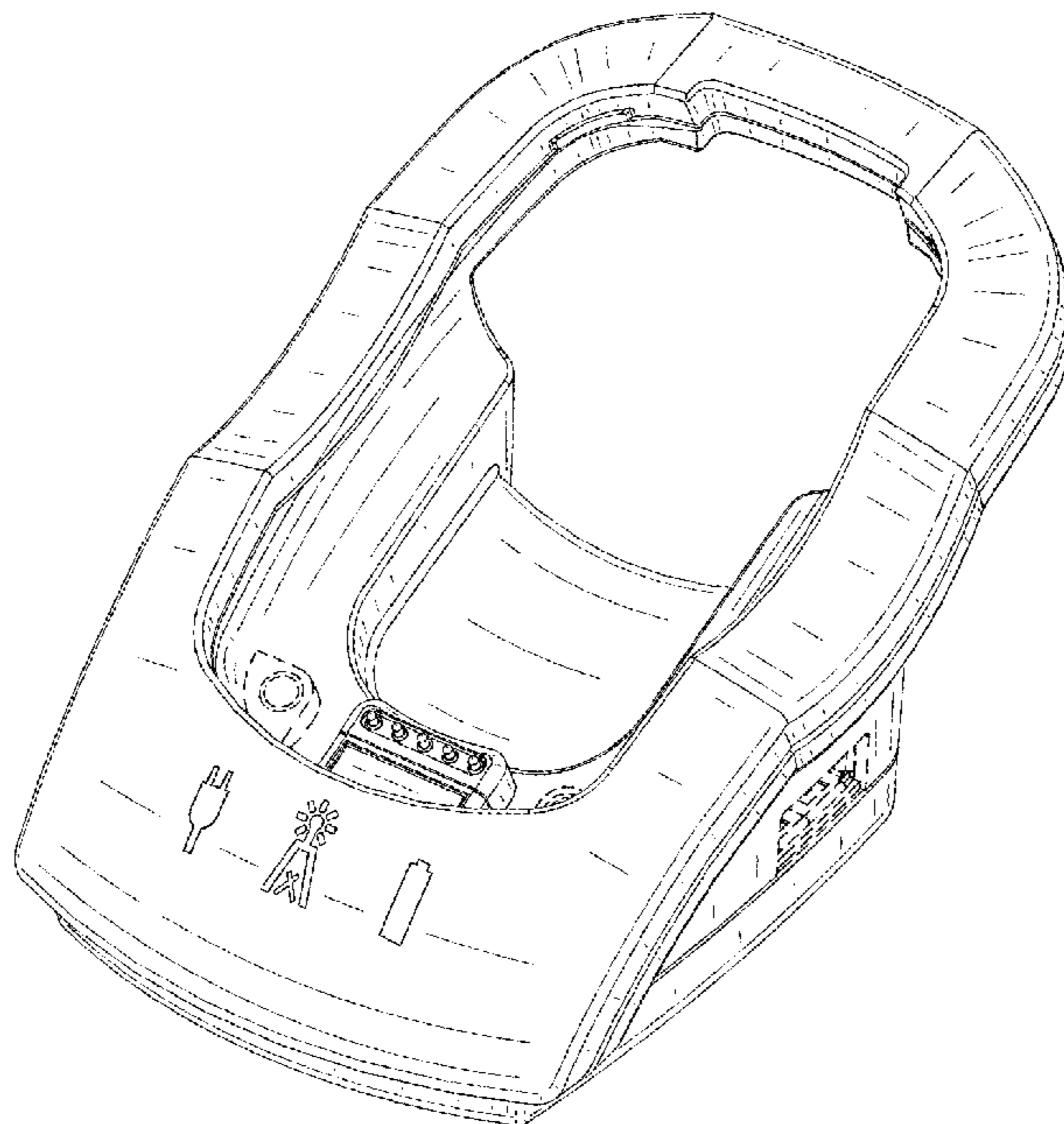


FIG. 1

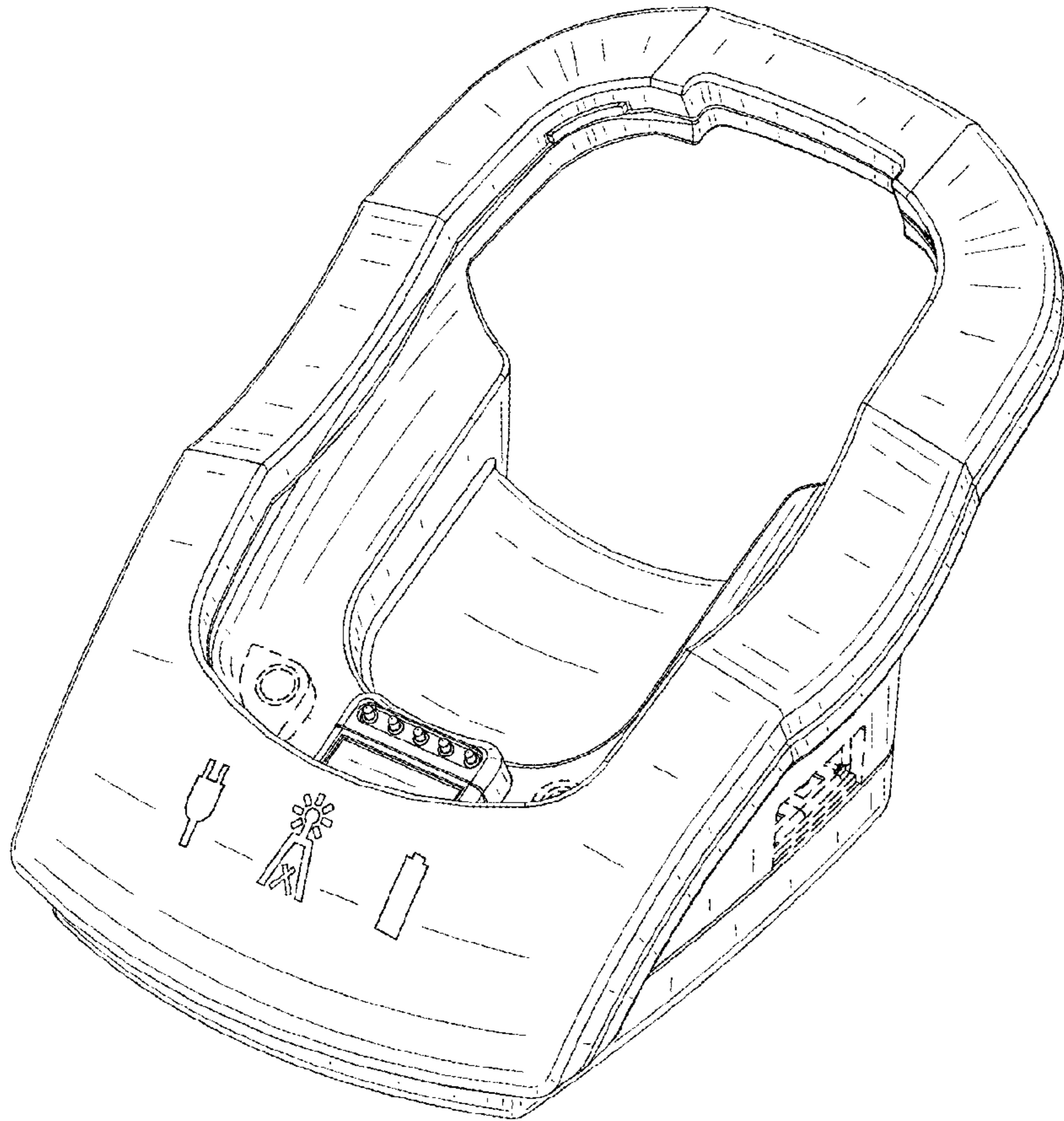


FIG. 2

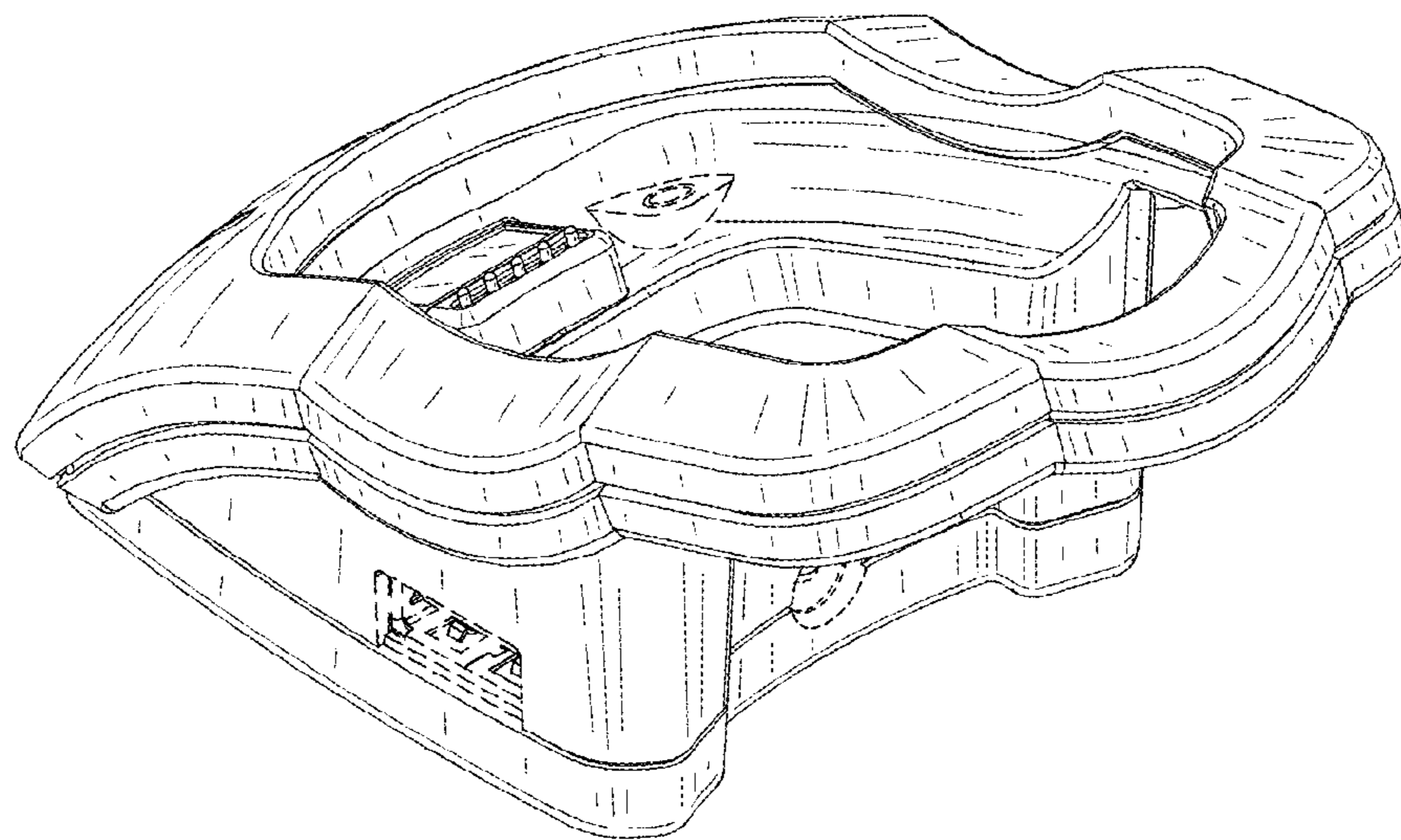


FIG. 3

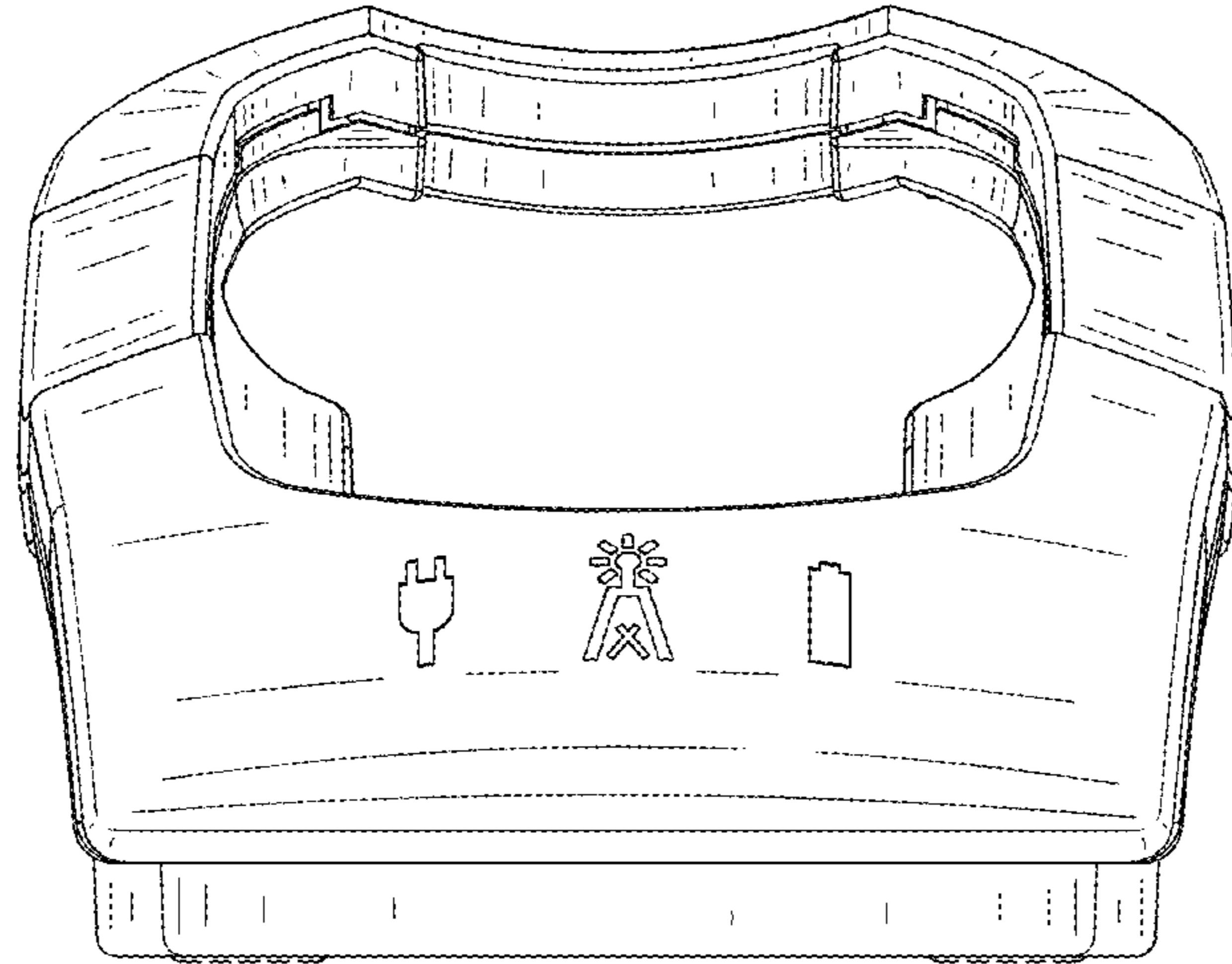


FIG. 4

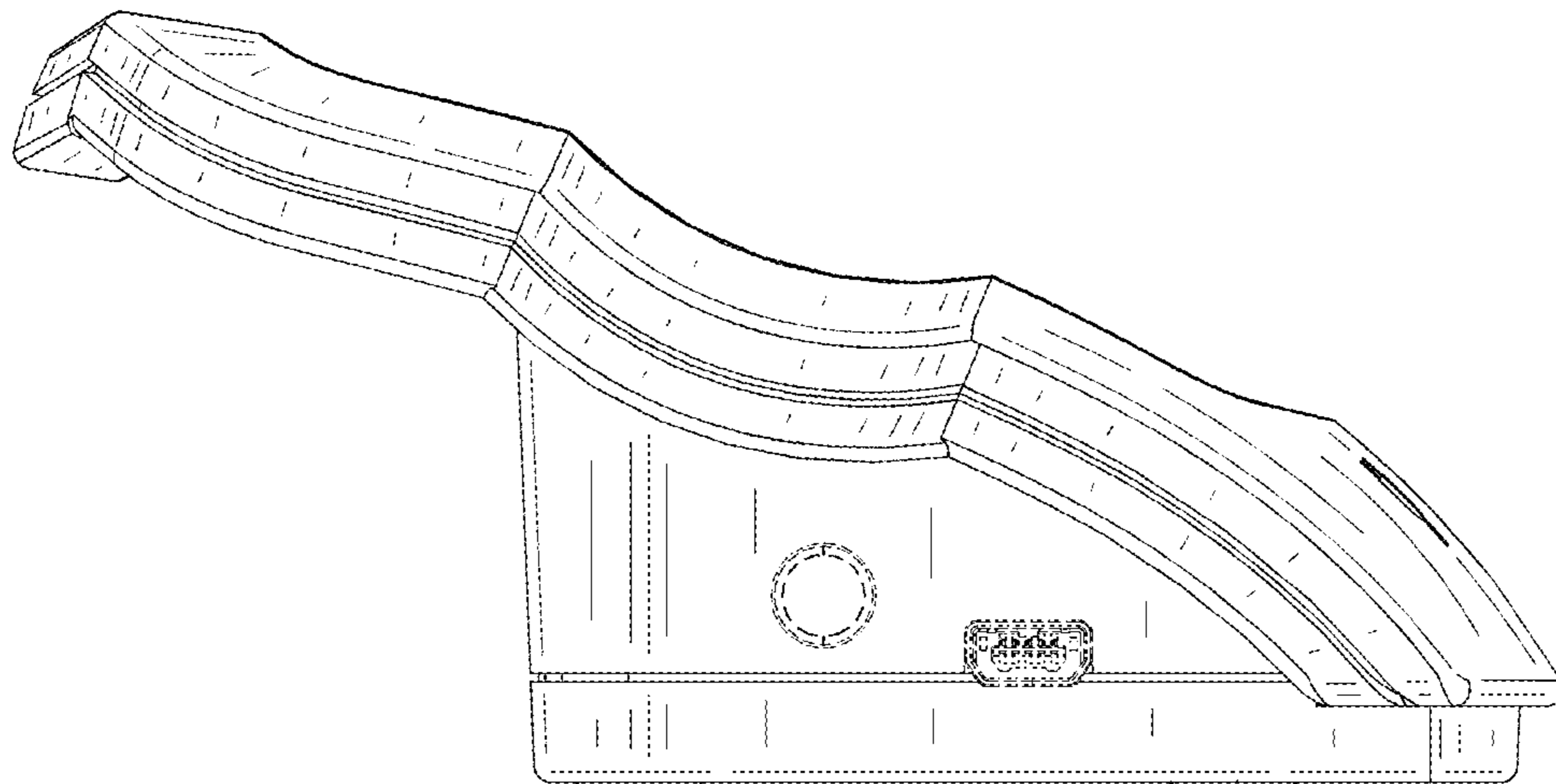




FIG. 5

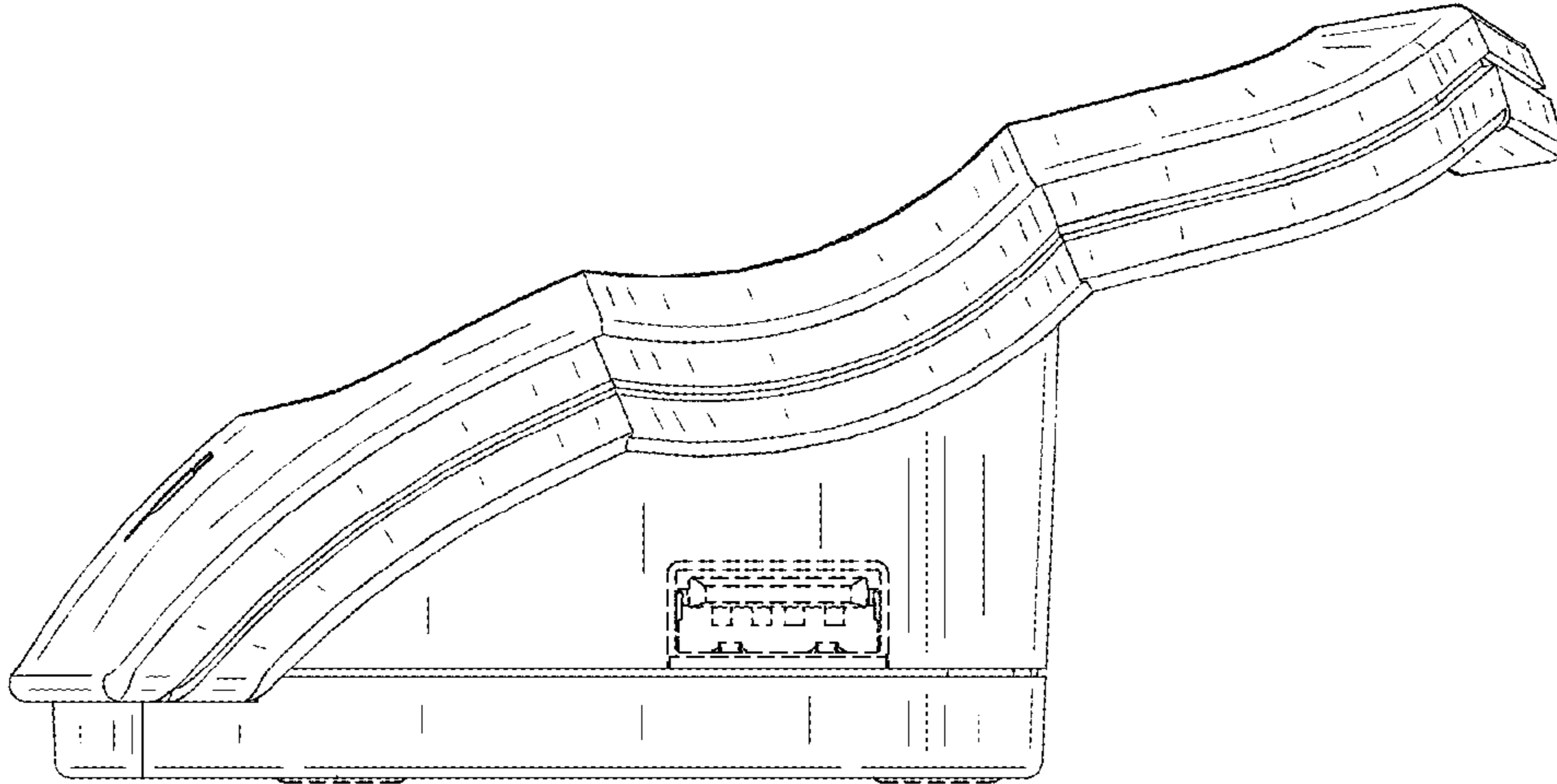


FIG. 6

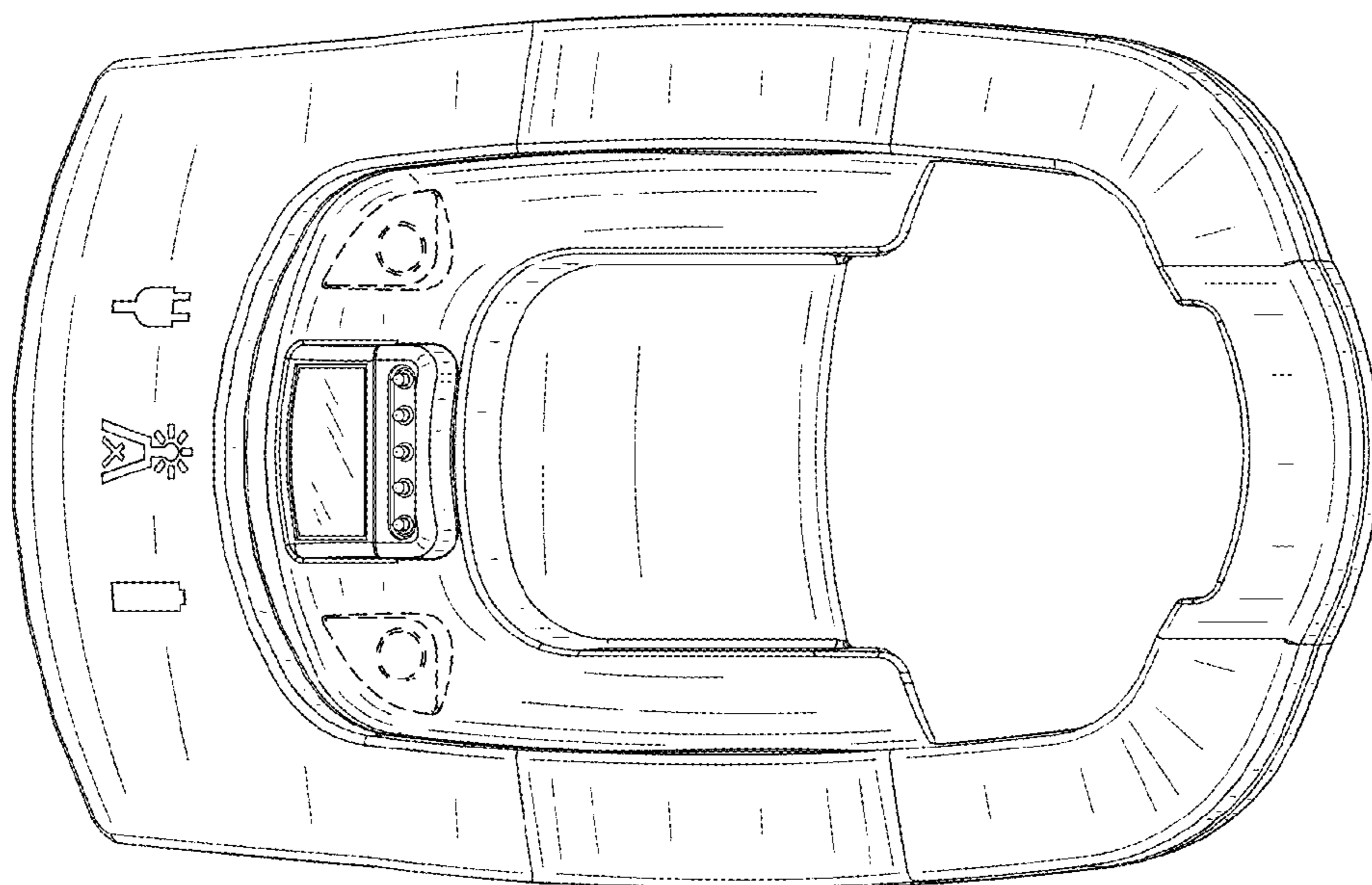


FIG. 7

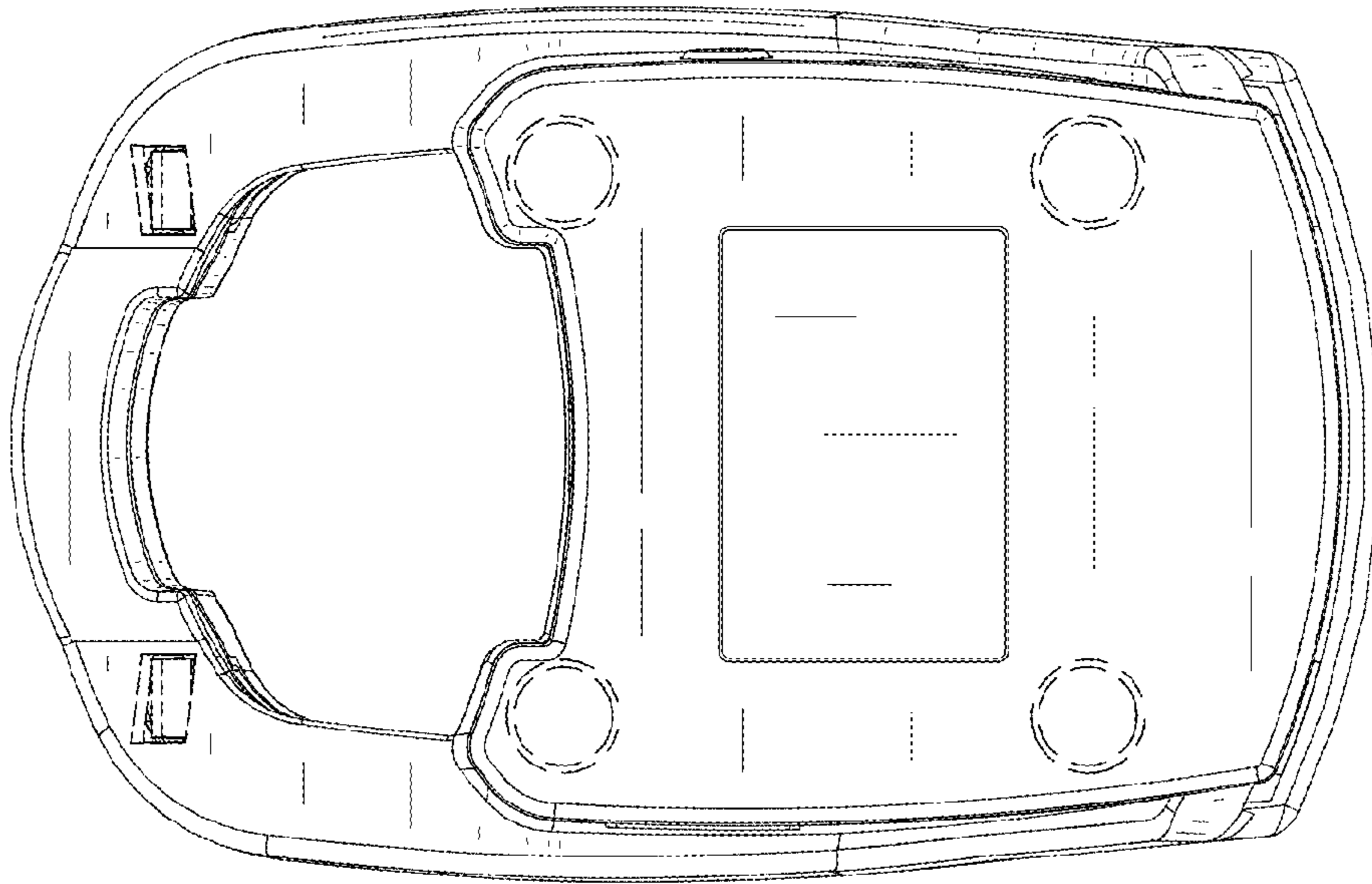


FIG. 8

