

US00D710299S

(12) **United States Design Patent**  
**Dyson et al.**

(10) **Patent No.:** **US D710,299 S**  
(45) **Date of Patent:** **\*\* Aug. 5, 2014**

(54) **BATTERY PACK**

(56) **References Cited**

(71) Applicant: **Dyson Technology Limited**, Wiltshire (GB)

U.S. PATENT DOCUMENTS

(72) Inventors: **James Dyson**, Malmesbury (GB); **Peter David Gammack**, Malmesbury (GB); **Timothy Nicholas Stickney**, Malmesbury (GB); **Jonathan George Marsh**, Malmesbury (GB)

D432,077 S *	10/2000	Zurwelle et al. ....	D13/103
D504,111 S *	4/2005	Ozawa et al. ....	D13/103
D504,394 S *	4/2005	Cheung et al. ....	D13/103
D575,224 S *	8/2008	Taniguchi et al. ....	D13/103
D580,353 S *	11/2008	Harrison et al. ....	D13/103
D589,440 S *	3/2009	Van Wambeke ....	D13/103
D590,333 S *	4/2009	Price et al. ....	D13/103
D593,944 S *	6/2009	Smith ....	D13/119
D610,537 S *	2/2010	Sweeney ....	D13/103
D622,660 S *	8/2010	Taniguchi et al. ....	D13/103
D629,746 S *	12/2010	Workman et al. ....	D13/103

(73) Assignee: **Dyson Technology Limited**, Malmesbury, Wiltshire (GB)

\* cited by examiner

(\*\*) Term: **14 Years**

*Primary Examiner* — Rosemary K Tarcza

(21) Appl. No.: **29/464,509**

(74) *Attorney, Agent, or Firm* — Morrison & Foerster LLP

(22) Filed: **Aug. 16, 2013**

(57) **CLAIM**

(30) **Foreign Application Priority Data**

Feb. 18, 2013 (EM) ..... 001361083-0001

(51) **LOC (10) Cl.** ..... **13-02**

(52) **U.S. Cl.**  
USPC ..... **D13/103**

(58) **Field of Classification Search**  
USPC ..... D13/102-104, 110, 118-121, 184, 199;  
429/96-100, 163, 176

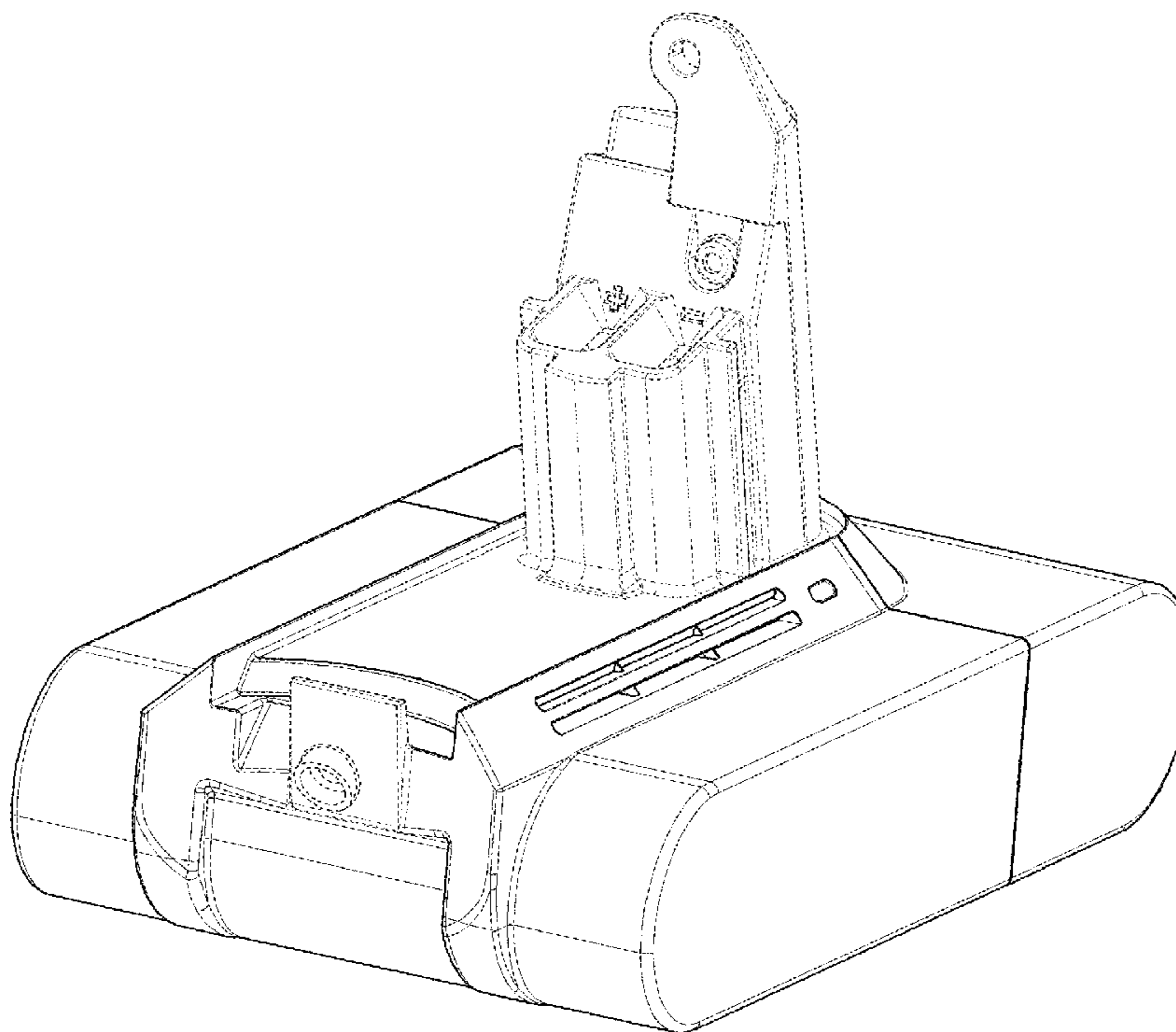
See application file for complete search history.

We claim the ornamental design for a battery pack, as shown and described.

**DESCRIPTION**

FIG. 1 is a perspective view of a battery pack showing our new design;  
FIG. 2 is a front view thereof;  
FIG. 3 is a rear view thereof;  
FIG. 4 is a side view thereof;  
FIG. 5 is a side view of the opposite side of FIG. 4;  
FIG. 6 is a top view thereof; and,  
FIG. 7 is a bottom view thereof.  
The broken lines shown in the drawings are included for the purpose of illustrating environmental structure and form no part of the claimed design.

**1 Claim, 7 Drawing Sheets**



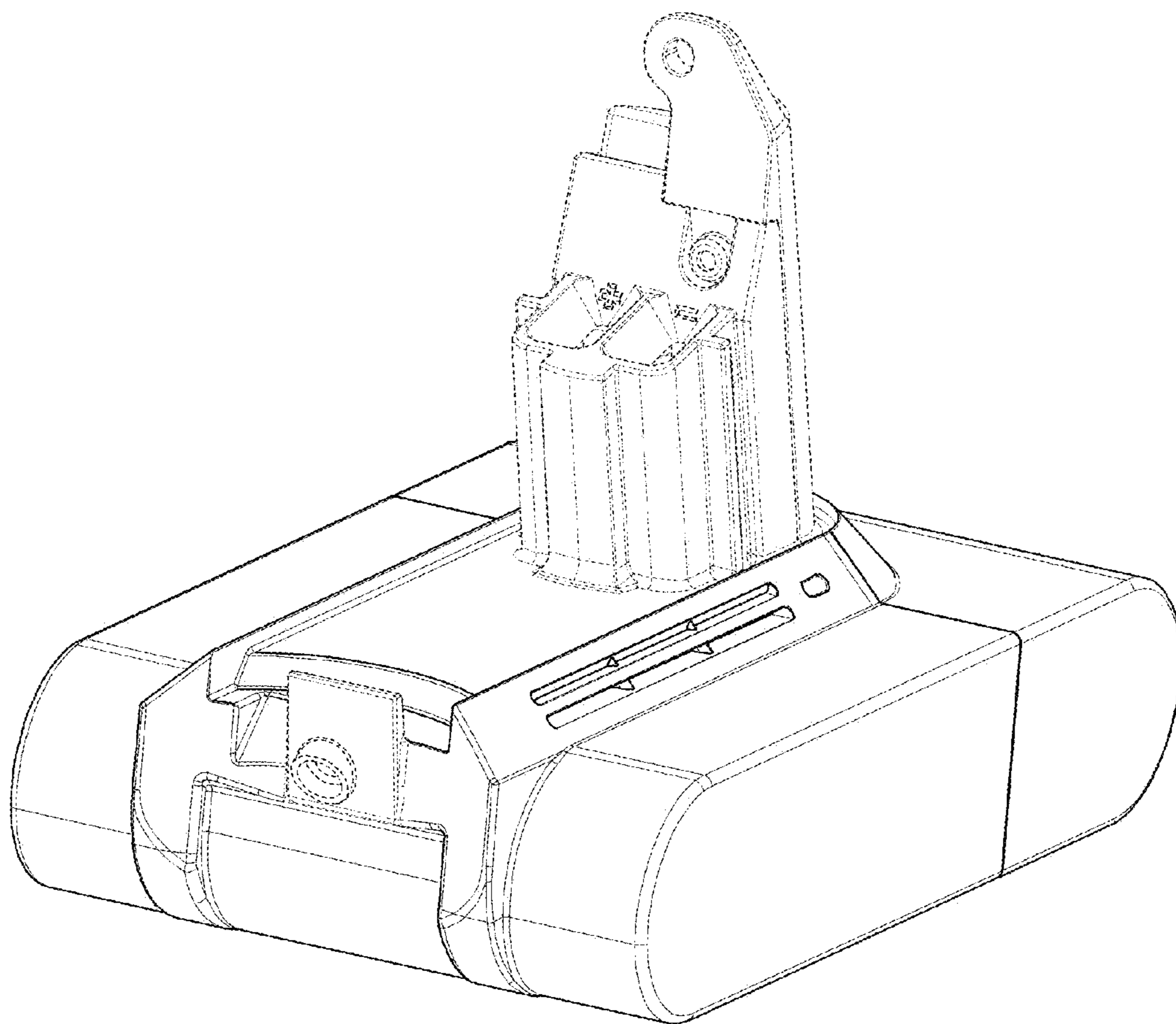


FIG. 1

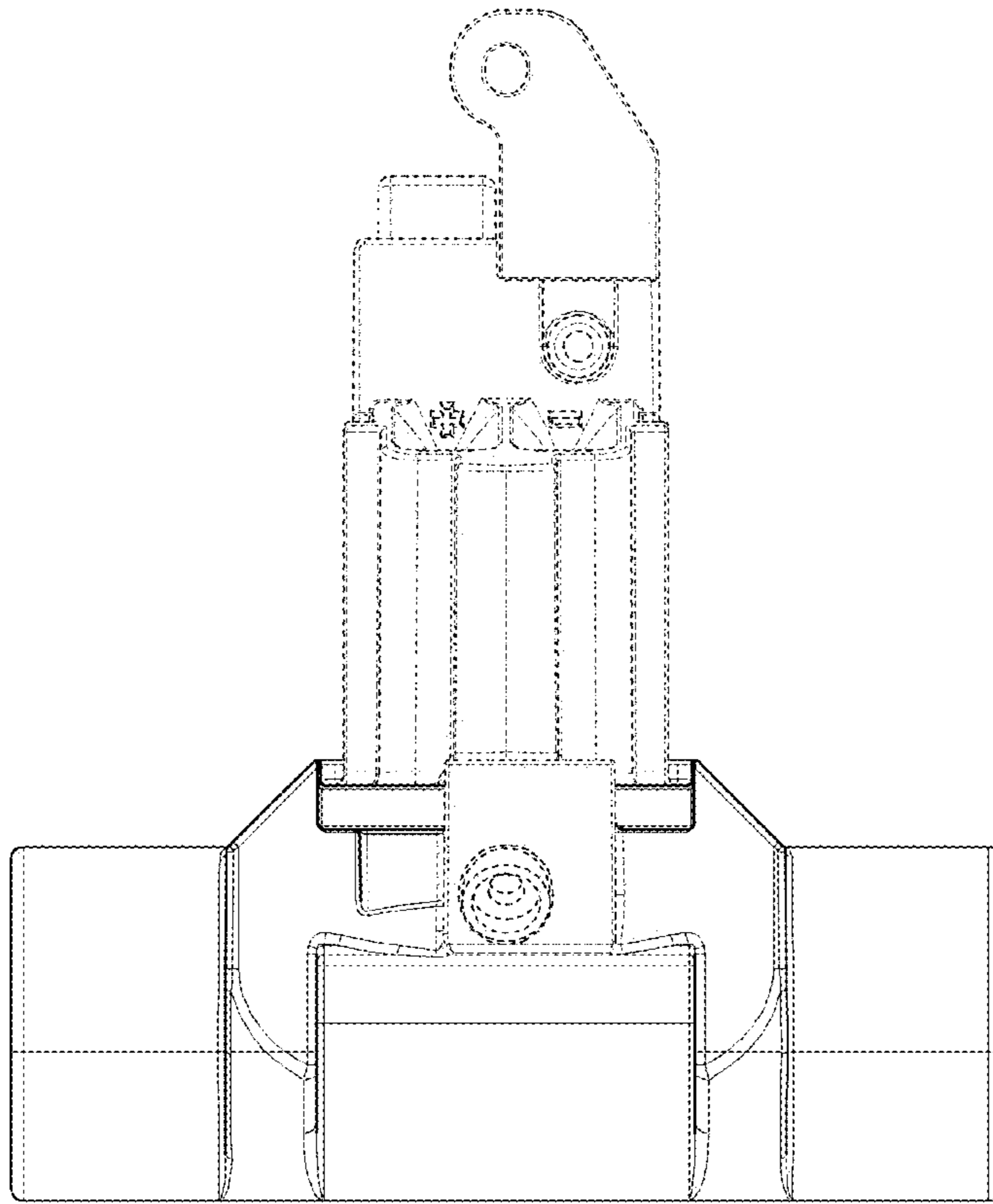


FIG. 2

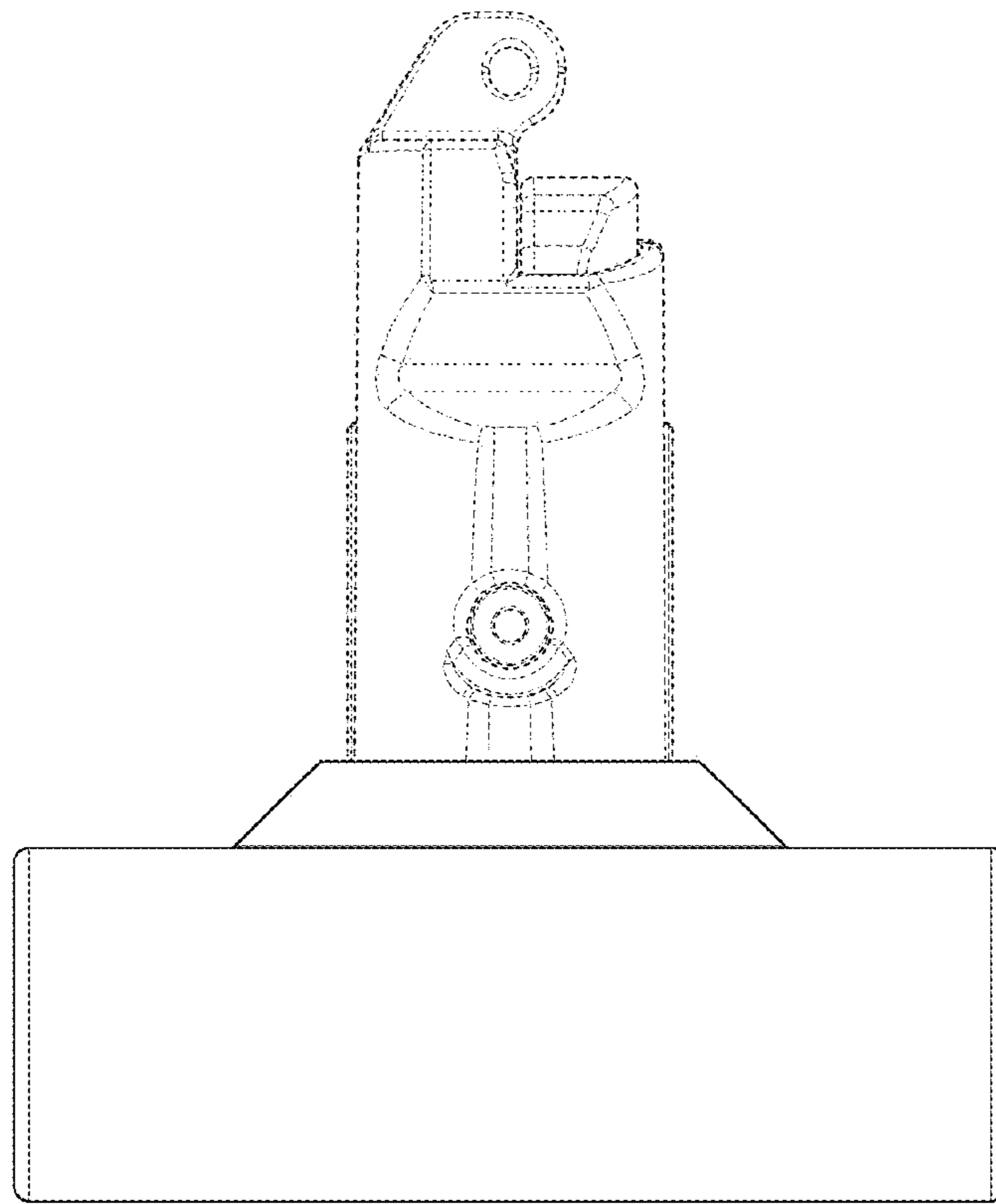


FIG. 3

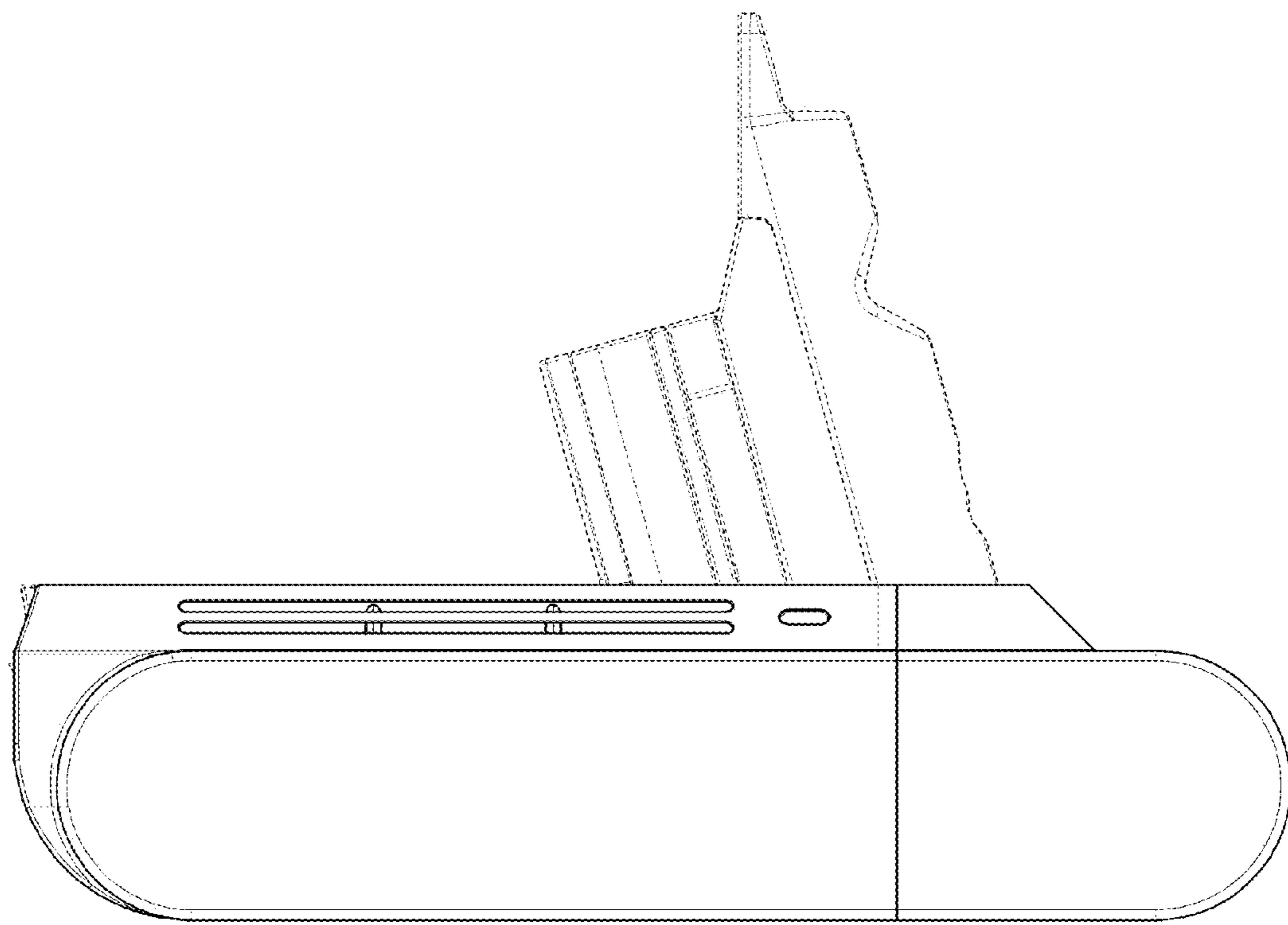


FIG. 4

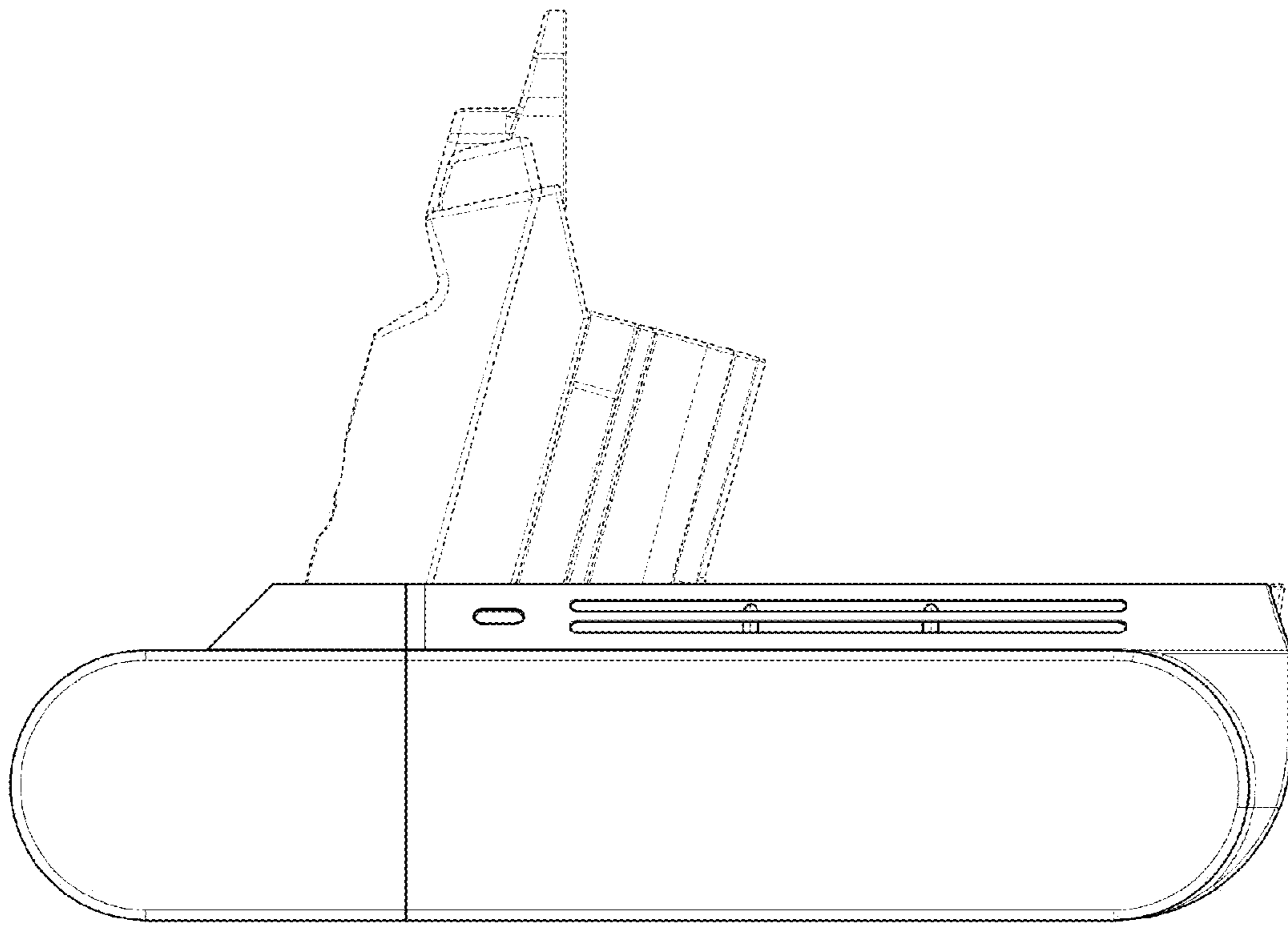


FIG. 5



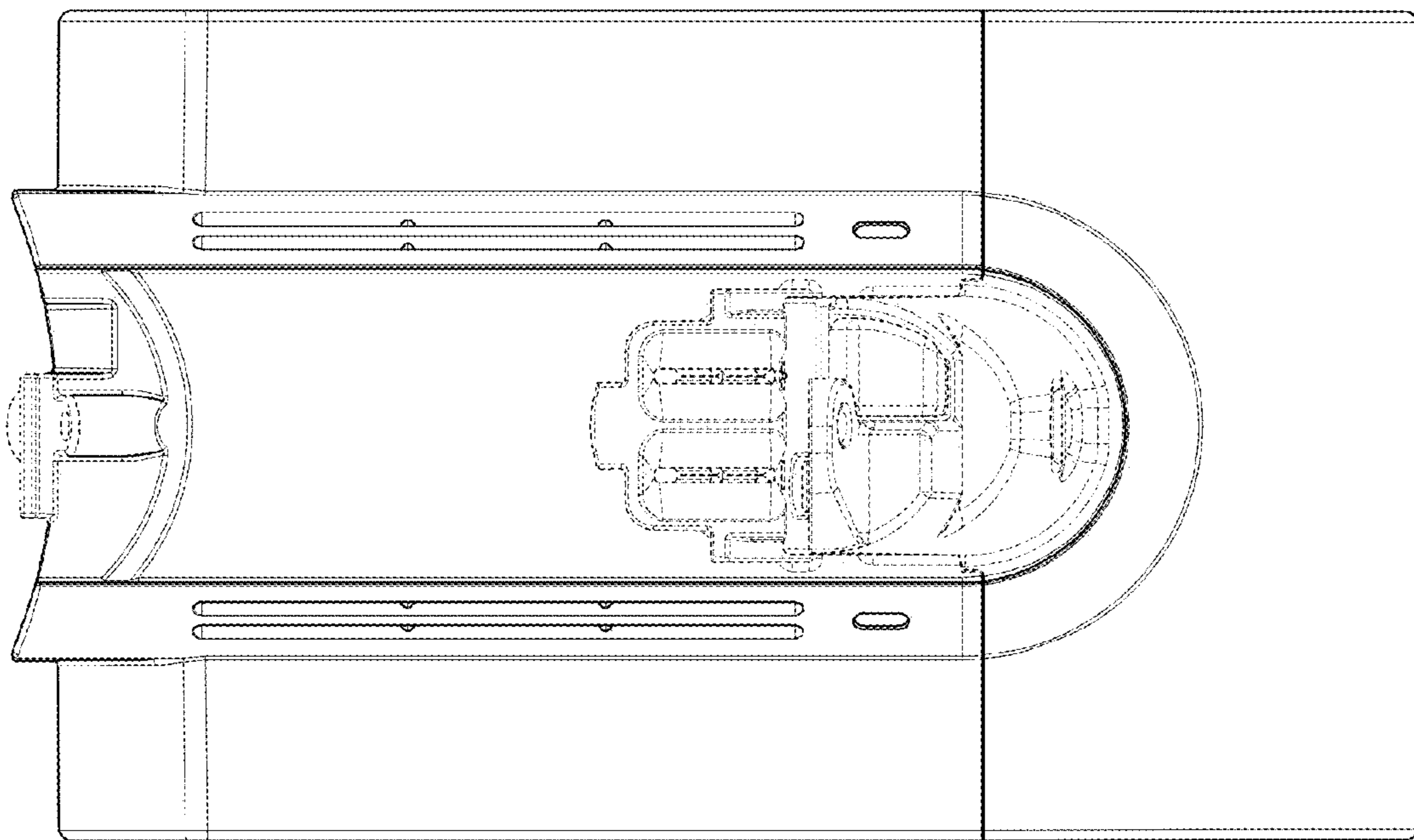


FIG. 6

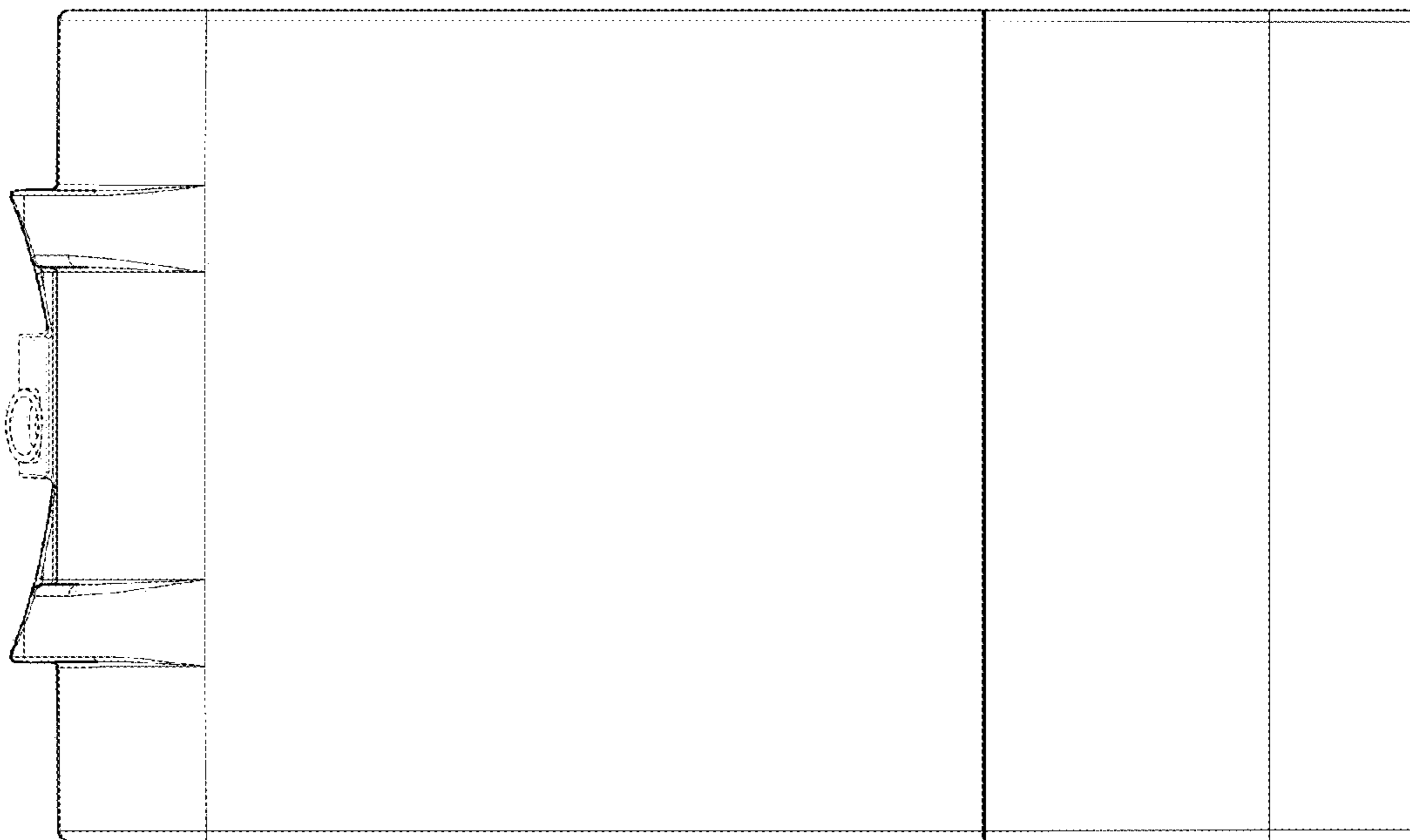


FIG. 7