



US00D710294S

(12) **United States Design Patent**  
**Dixon et al.**

(10) **Patent No.:** **US D710,294 S**  
(45) **Date of Patent:** **\*\* Aug. 5, 2014**

- (54) **TIRE**
- (71) Applicant: **The Goodyear Tire & Rubber Company, Akron, OH (US)**
- (72) Inventors: **Max Harold Dixon, Kent, OH (US); Brandon Jeffrey Gramoll, Grafton, WI (US); Ashley Amanda Strader, Akron, OH (US)**
- (73) Assignee: **The Goodyear Tire & Rubber Company, Akron, OH (US)**

D599,281 S	9/2009	Scheuren .....	D12/553
D601,085 S	9/2009	Janesh et al. ....	D12/600
D601,488 S	10/2009	Maus et al. ....	D12/600
D615,481 S *	5/2010	Gommez .....	D12/588
D616,356 S *	5/2010	Ohara .....	D12/588
D626,501 S	11/2010	Cazin-Bourguignon et al. ....	D12/600
D627,713 S	11/2010	Le et al. ....	D12/600
D628,955 S	12/2010	Toumni et al. ....	D12/588
D637,152 S	5/2011	Maus et al. ....	D12/602
D639,234 S *	6/2011	Reim .....	D12/588
D640,185 S	6/2011	Scheuren et al. ....	D12/588
D640,969 S	7/2011	Scheuren et al. ....	D12/588

(Continued)

(\*\*) Term: **14 Years**

*Primary Examiner* — Stacia Cadmus

(21) Appl. No.: **29/473,334**

(74) *Attorney, Agent, or Firm* — Richard B. O'Planick

(22) Filed: **Nov. 21, 2013**

(57) **CLAIM**

The ornamental design for a tire, as shown and described.

(51) **LOC (10) Cl.** ..... **12-15**

(52) **U.S. Cl.**  
USPC ..... **D12/588; D12/900**

**DESCRIPTION**

(58) **Field of Classification Search**  
USPC ..... D12/568–603, 553, 900–901;  
152/209.1–209.9, 209.11–209.19,  
152/209.21–209.28, 455  
See application file for complete search history.

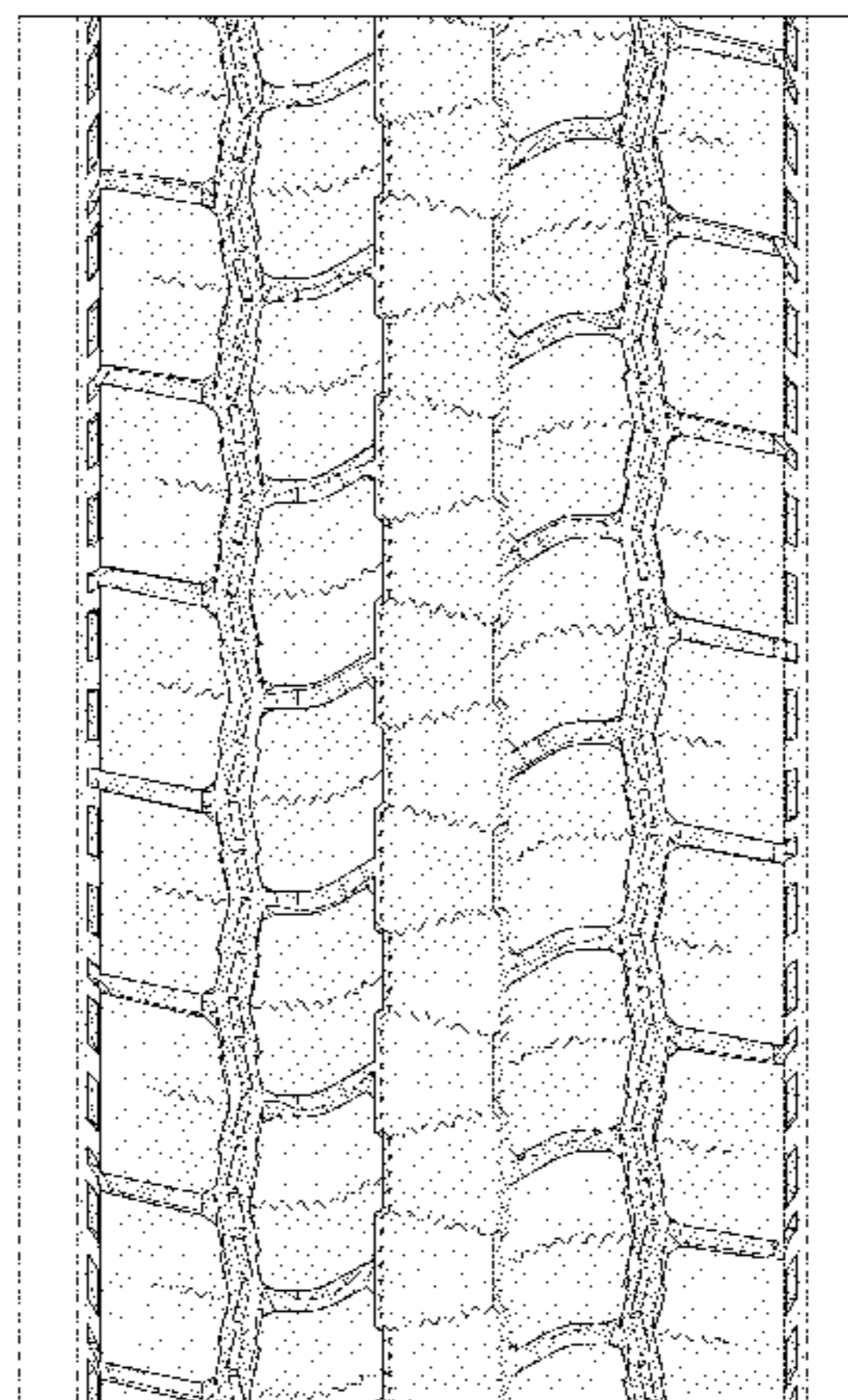
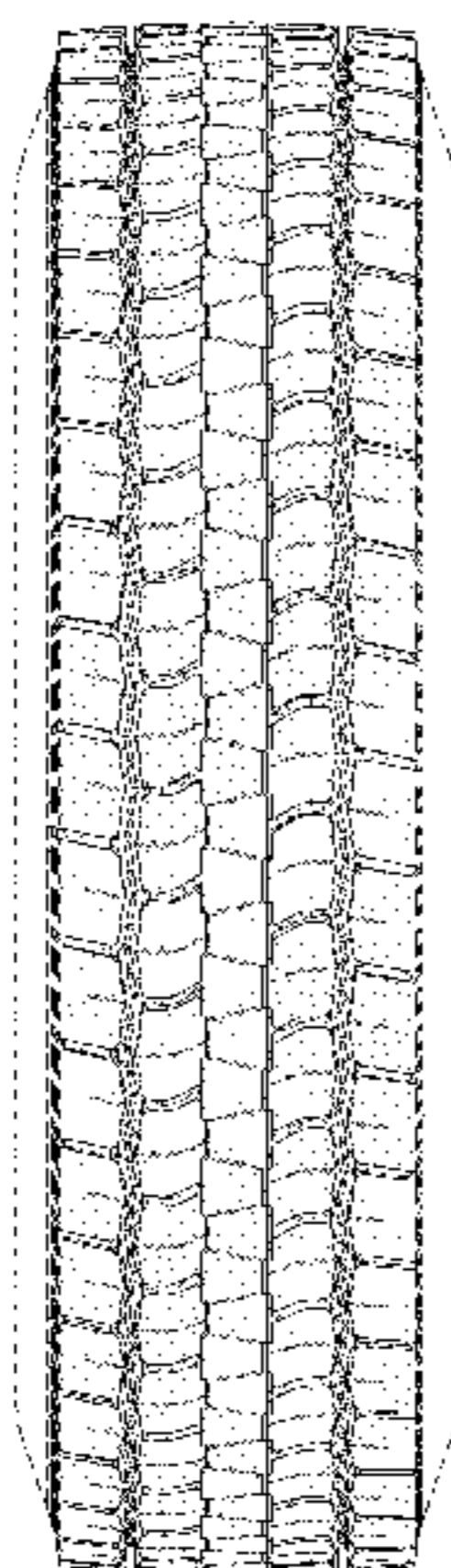
FIG. 1 is a perspective view of a tire showing our new design, it being understood that the pattern repeats uniformly throughout the circumference of the tread;  
 FIG. 2 is a front elevational view thereof;  
 FIG. 3 is a right side elevational view thereof; the opposite side elevational view being identical thereto;  
 FIG. 4 is an enlarged fragmentary front elevational view thereof;  
 FIG. 5 is a perspective view of a second embodiment of a tire showing our new design, it being understood that the pattern repeats uniformly throughout the circumference of the tread and that the opposite side view is identical thereto; and,  
 FIG. 6 is a front elevational view of a second embodiment, it being understood that an enlarged fragmentary view thereof would be substantially identical to that shown in FIG. 4, with the exception of the inclusion of the sidewall in solid lines.  
 In the drawings, the broken lines showing of the sidewall, inner bead and the peripheral boundary between the tire tread and the sidewall in FIGS. 1 through 4 depict environmental subject matter and form no part of the claimed design.

(56) **References Cited**

U.S. PATENT DOCUMENTS

D387,715 S	12/1997	Miller et al. ....	D12/147
D410,420 S	6/1999	de Barsy .....	D12/147
D426,178 S *	6/2000	Weber et al. ....	D12/588
D464,025 S *	10/2002	Okano .....	D12/588
D473,513 S *	4/2003	Welbes .....	D12/588
D480,045 S	9/2003	Durand et al. ....	D12/601
D497,875 S	11/2004	Le et al. ....	D12/594
D528,500 S	9/2006	Le et al. ....	D12/600
D531,572 S *	11/2006	Schmalix et al. ....	D12/588
D534,858 S	1/2007	Le et al. ....	D12/553
D554,055 S	10/2007	Beauguitte et al. ....	D12/600
D569,334 S	5/2008	Maziarka et al. ....	D12/600
D583,308 S *	12/2008	Ludwig et al. ....	D12/588
D591,224 S *	4/2009	Ludwig et al. ....	D12/588
D592,590 S	5/2009	Janesh et al. ....	D12/600

**1 Claim, 6 Drawing Sheets**



(56)

**References Cited**

U.S. PATENT DOCUMENTS

D642,974 S *	8/2011	Koshio .....	D12/600	D662,457 S	6/2012	Krier et al. ....	D12/588
D645,810 S	9/2011	Le et al. ....	D12/600	D667,365 S	9/2012	Dixon et al. ....	D12/594
D647,040 S *	10/2011	Mathonet et al. ....	D12/588	D667,781 S *	9/2012	Georges et al. ....	D12/588
D648,264 S	11/2011	Le et al. ....	D12/588	D686,973 S *	7/2013	Otani .....	D12/588
D653,199 S	1/2012	Scheuren et al. ....	D12/588	D700,132 S *	2/2014	Wang et al. ....	D12/588
				D700,885 S *	3/2014	Le et al. ....	D12/588
				D702,180 S *	4/2014	Le et al. ....	D12/588

\* cited by examiner

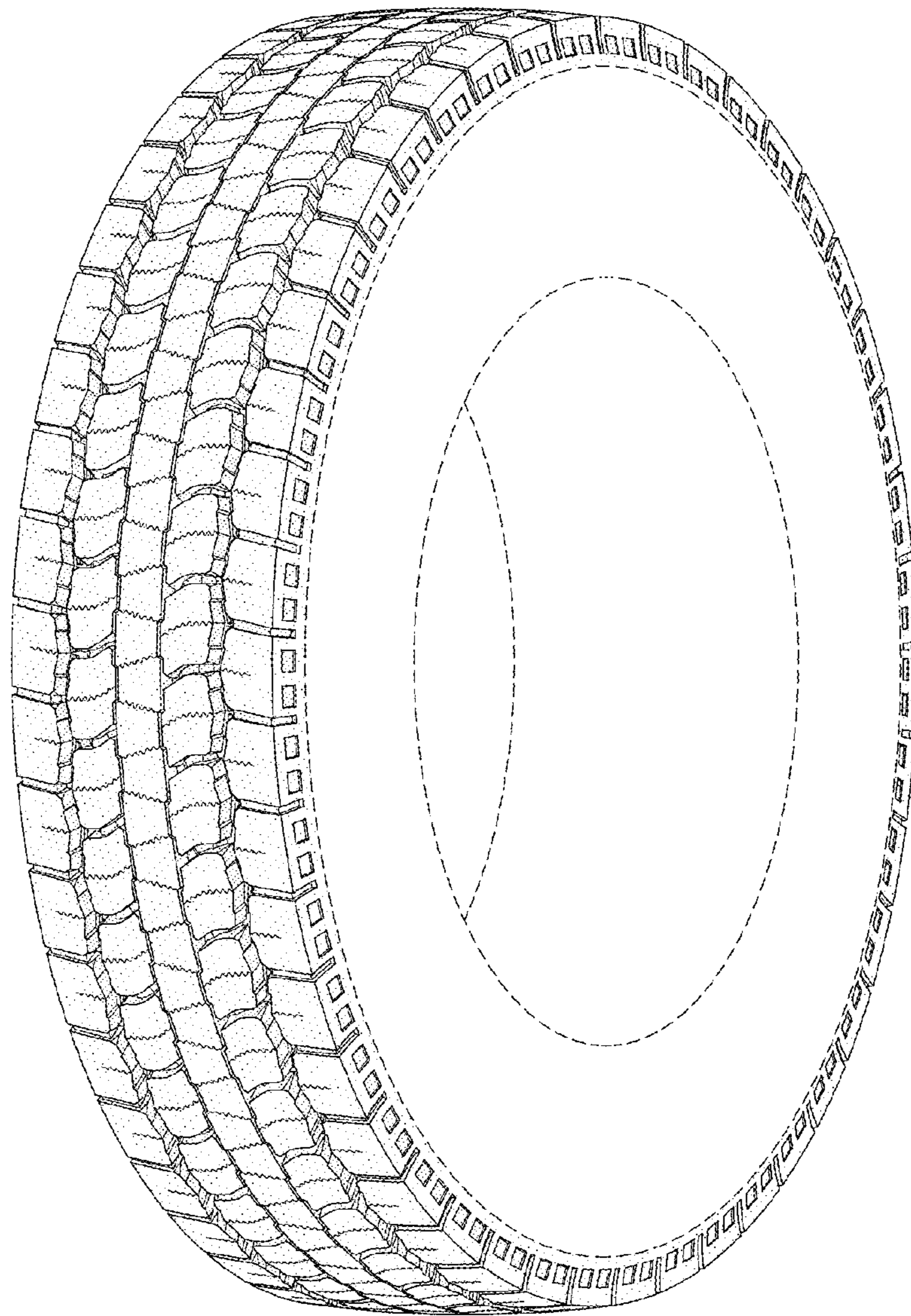


FIG-1

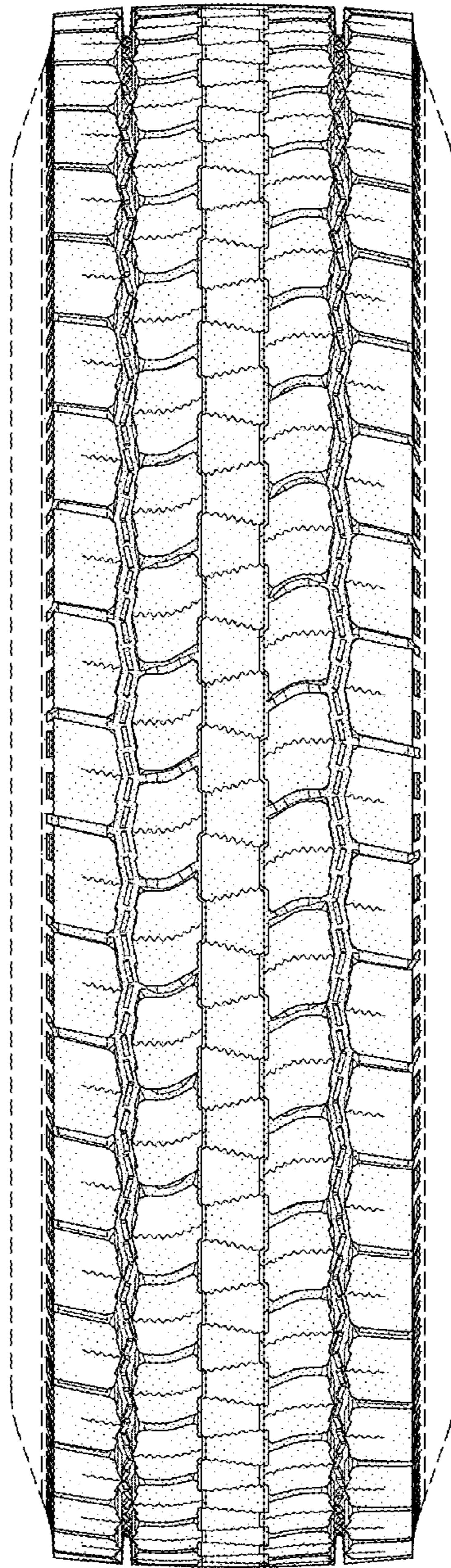


FIG-2

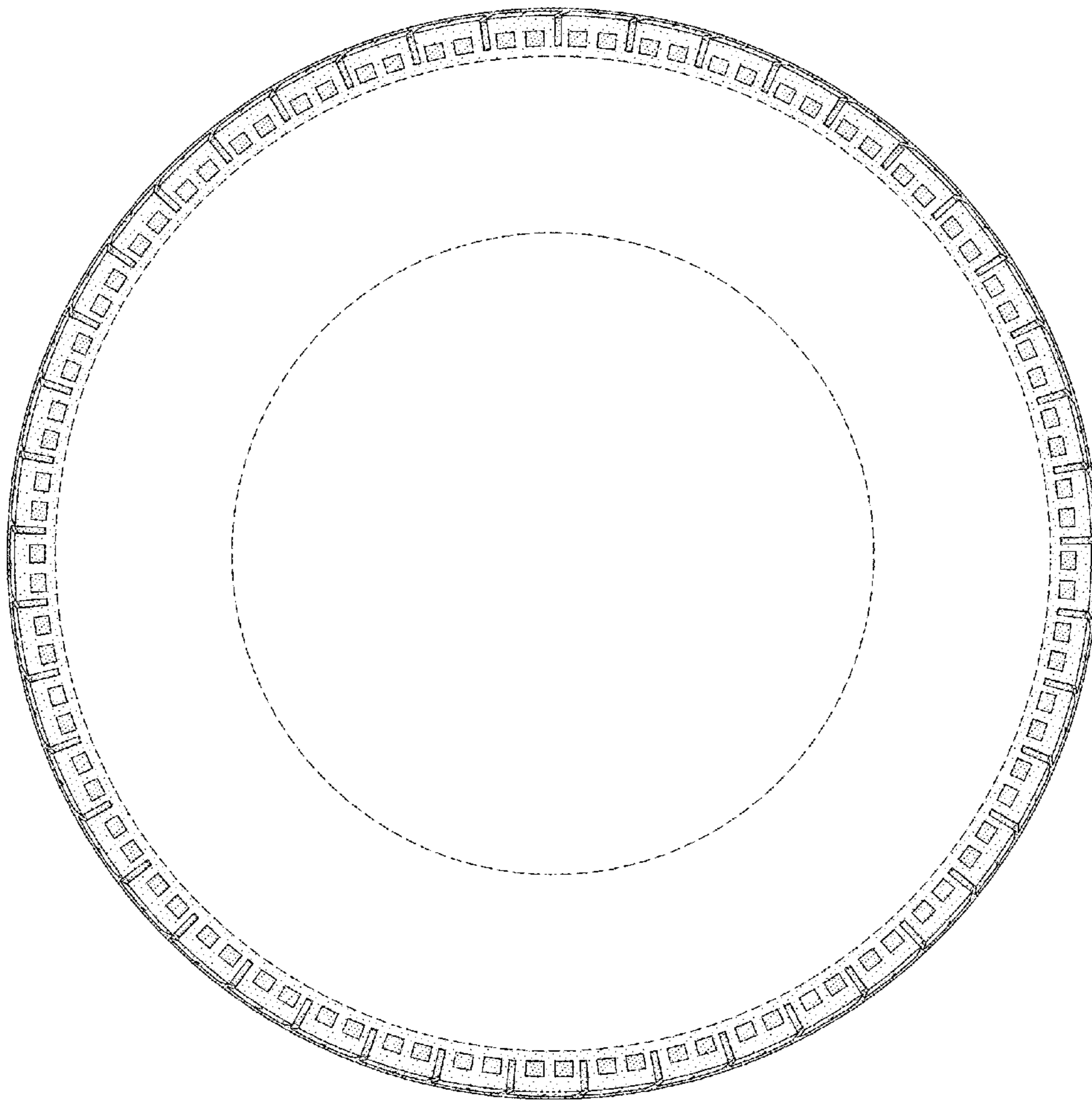


FIG-3

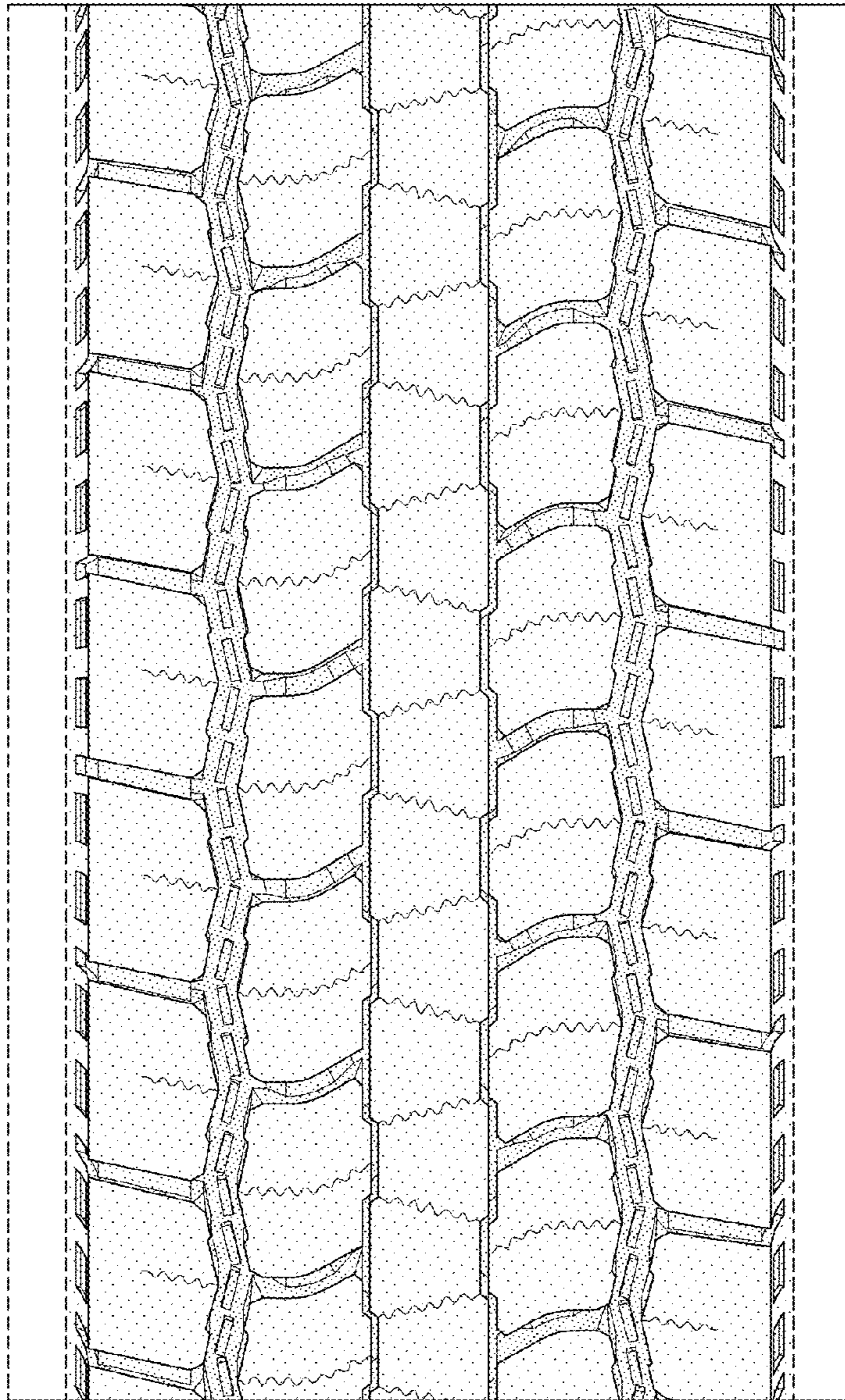


FIG-4

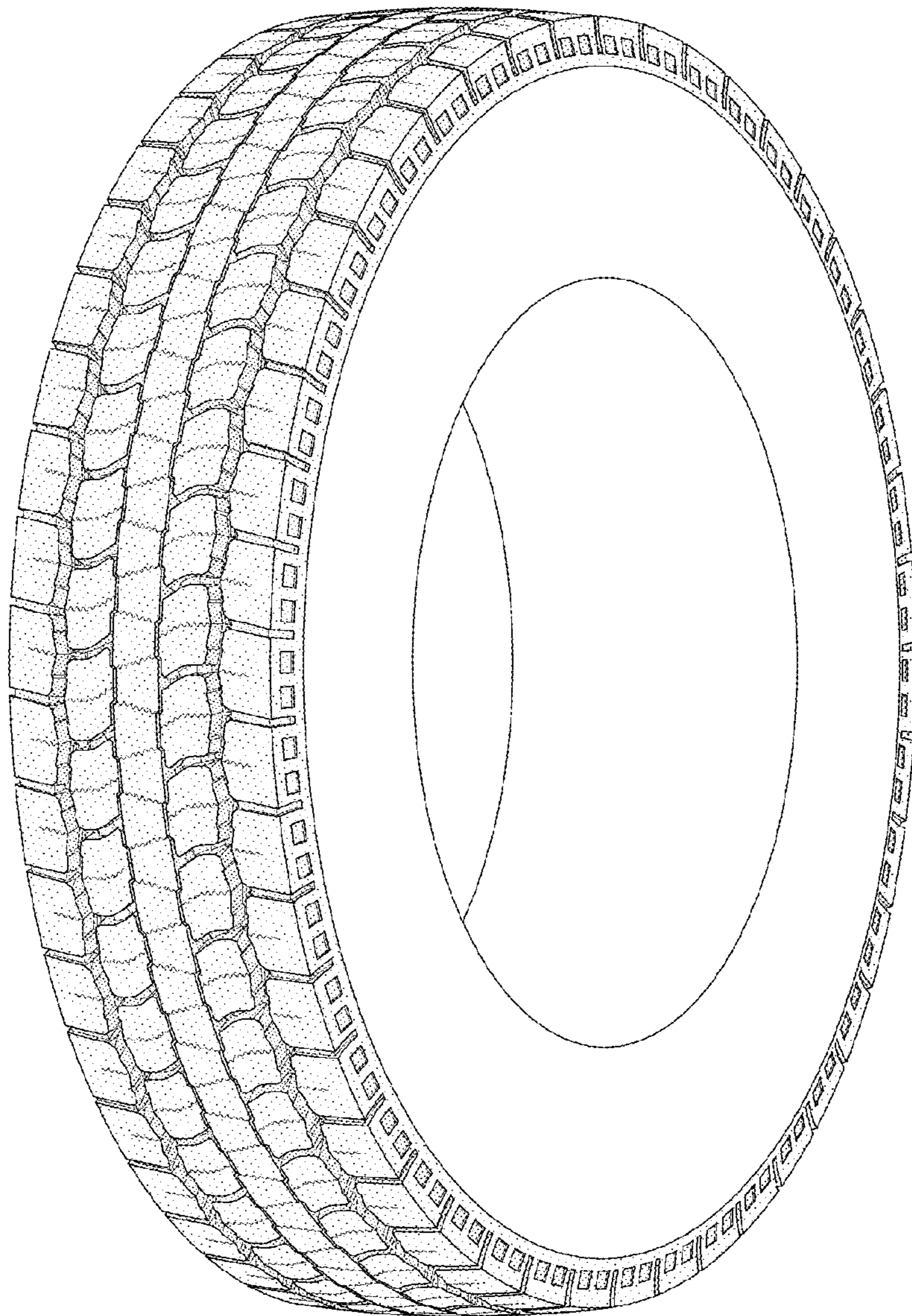


FIG-5

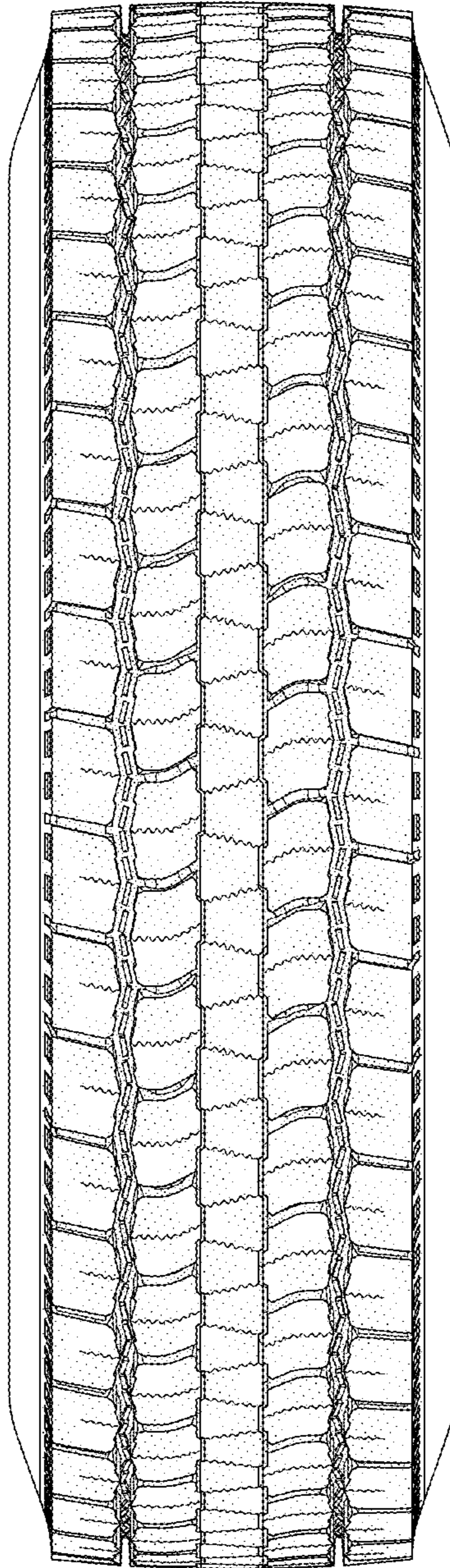


FIG-6