



US00D710293S

(12) **United States Design Patent**
Fontaine et al.

(10) **Patent No.:** **US D710,293 S**

(45) **Date of Patent:** **** Aug. 5, 2014**

- (54) **TIRE**
- (71) Applicant: **The Goodyear Tire & Rubber Company, Akron, OH (US)**
- (72) Inventors: **Sebastien Willy Fontaine, Vichten (LU); Stephane Jose Geelen, Bastogne (BE); Armand Rene Gabriel Leconte, Gralingen (LU)**
- (73) Assignee: **The Goodyear Tire & Rubber Company, Akron, OH (US)**
- (**) Term: **14 Years**
- (21) Appl. No.: **29/452,057**
- (22) Filed: **Apr. 11, 2013**
- (51) **LOC (10) Cl.** **12-15**
- (52) **U.S. Cl.**
USPC **D12/588**
- (58) **Field of Classification Search**
USPC D12/568-603, 900-901, 551, 553, 555;
152/209.1-209.9, 209.11-209.19,
152/209.21-209.28, 455
See application file for complete search history.

D577,655 S	9/2008	Heinen	D12/521
D578,955 S	10/2008	Fontaine et al.	D12/524
D584,214 S	1/2009	Mukai	D12/532
D586,725 S	2/2009	Fontaine et al.	D12/519
D597,474 S	8/2009	Yamakawa et al.	D12/519
D598,363 S	8/2009	Misumi	D12/515
D599,276 S	9/2009	Fontaine et al.	D12/519
D607,809 S	1/2010	Fontaine et al.	D12/523
D623,586 S	9/2010	Fontaine et al.	D12/519
D630,998 S	1/2011	Schmalix et al.	D12/519
D633,433 S	3/2011	Sieber et al.	D12/519
D634,261 S	3/2011	Schmalix et al.	D12/519
D634,699 S	3/2011	Fontaine et al.	D12/517

(Continued)

Primary Examiner — Stacia Cadmus
(74) *Attorney, Agent, or Firm* — Richard B. O’Planick

(57) **CLAIM**
The ornamental design for a tire, as shown and described.

DESCRIPTION

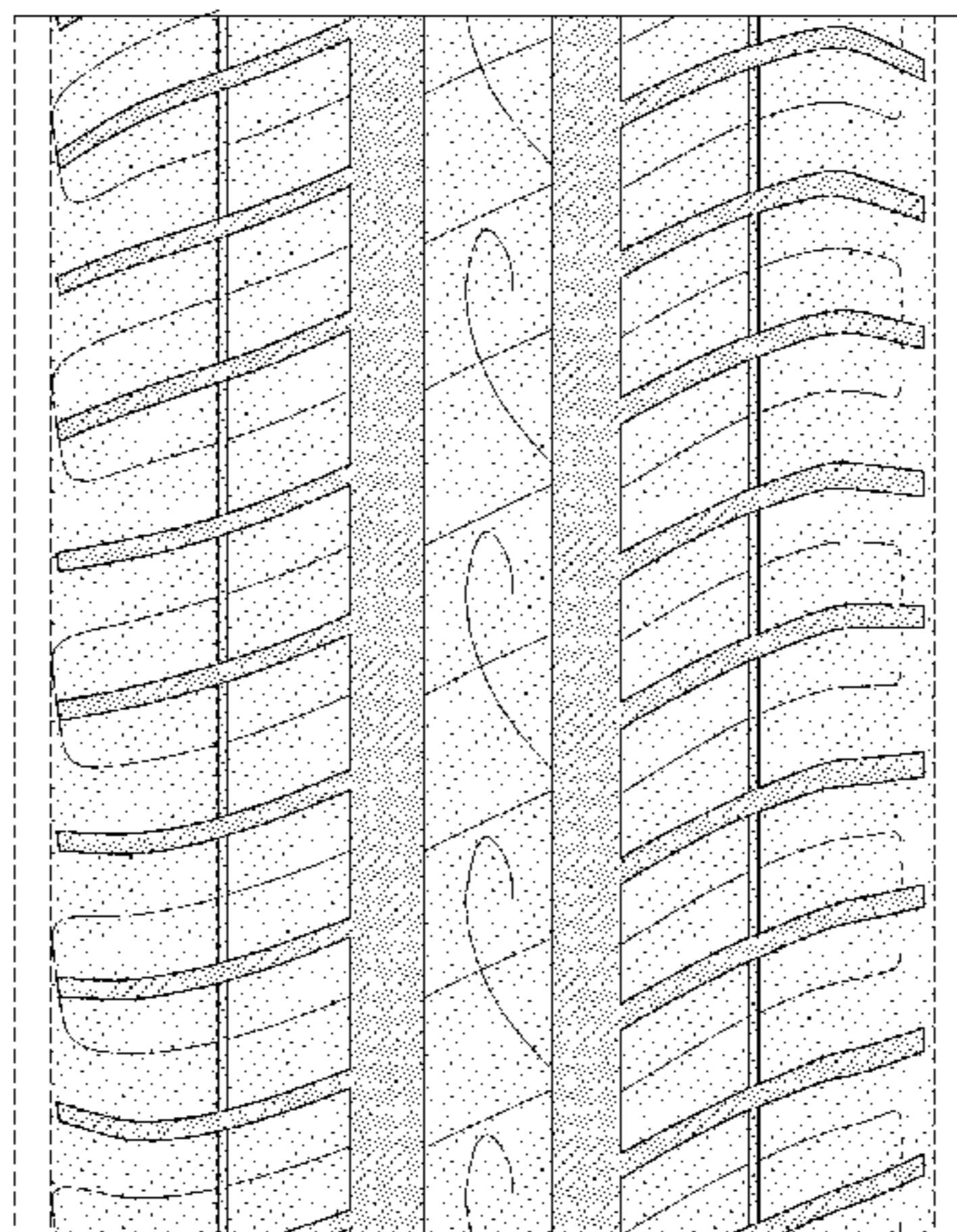
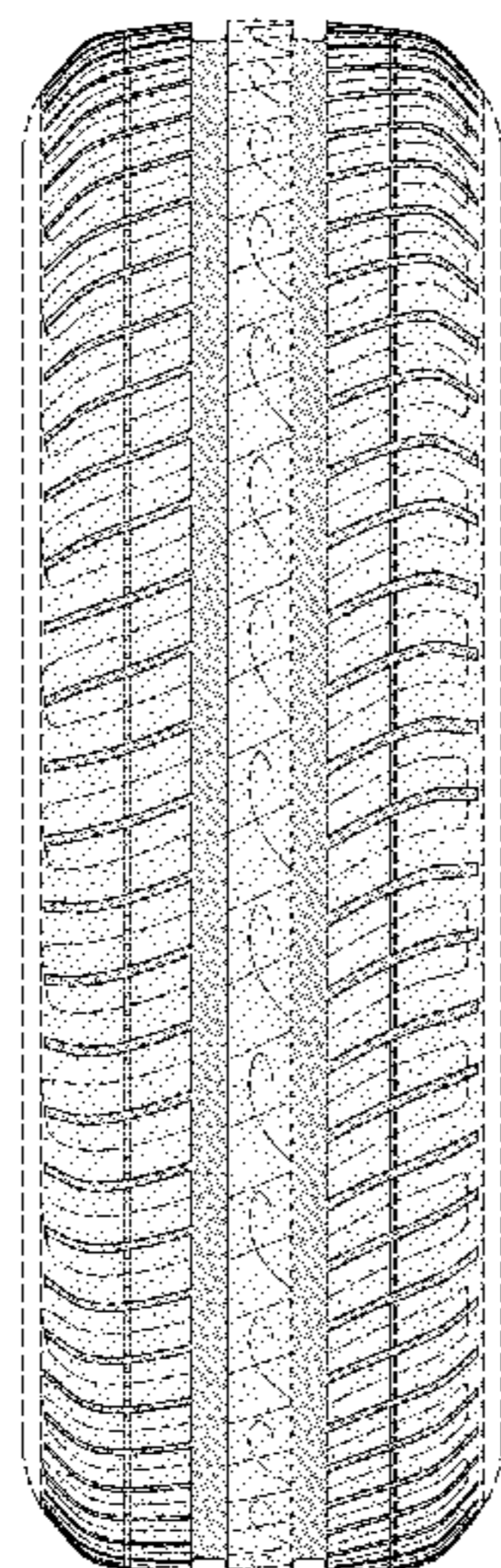
FIG. 1 is a perspective view of a tire showing our new design, it being understood that the pattern repeats uniformly throughout the circumference of the tread;
 FIG. 2 is a front elevational view thereof;
 FIG. 3 is a right side elevational view thereof;
 FIG. 4 is a left side elevational view thereof;
 FIG. 5 is an enlarged fragmentary front elevational view thereof;
 FIG. 6 is a perspective view of a second embodiment of a tire showing our new design, it being understood that the pattern repeats uniformly throughout the circumference of the tread; and,
 FIG. 7 is a front elevational view of a second embodiment, it being understood that an enlarged fragmentary view thereof would be substantially identical to that shown in FIG. 5, with the exception of the inclusion of the sidewall in solid lines.
 In the drawings, the broken lines showing of the sidewall, inner bead and the peripheral boundary between the tire tread and the sidewall in FIGS. 1 through 5 depict environmental subject matter and form no part of the claimed design.

1 Claim, 7 Drawing Sheets

(56) **References Cited**

U.S. PATENT DOCUMENTS

D283,212 S	*	4/1986	Martini et al.	D12/586
D349,873 S	*	8/1994	Shibata et al.	D12/588
D365,052 S	*	12/1995	Lash et al.	D12/588
D368,688 S	*	4/1996	Scarpitti et al.	D12/590
D386,456 S	*	11/1997	Yukawa	D12/588
D423,996 S	*	5/2000	Buresh	D12/588
D490,045 S		5/2004	Delu et al.	D12/519
D490,049 S		5/2004	Heinen et al.	D12/524
D512,013 S		11/2005	Delu et al.	D12/521
D515,021 S		2/2006	Delu et al.	D12/524
D531,116 S		10/2006	Heinen et al.	D12/590
D531,573 S	*	11/2006	Bedont et al.	D12/591
D557,195 S		12/2007	Fontaine et al.	D12/524
D562,757 S		2/2008	Iwai	D12/519



US D710,293 S

Page 2

(56)

References Cited

U.S. PATENT DOCUMENTS

D639,721 S 6/2011 Berryman et al. D12/532
D639,722 S 6/2011 Sieber et al. D12/532
D644,981 S 9/2011 Ohashi D12/523

D651,161 S 12/2011 Umstot et al. D12/519
D666,137 S 8/2012 Sieber et al. D12/517
D667,358 S 9/2012 Fontaine et al. D12/518
D668,204 S 10/2012 Leendertse et al. D12/524

* cited by examiner

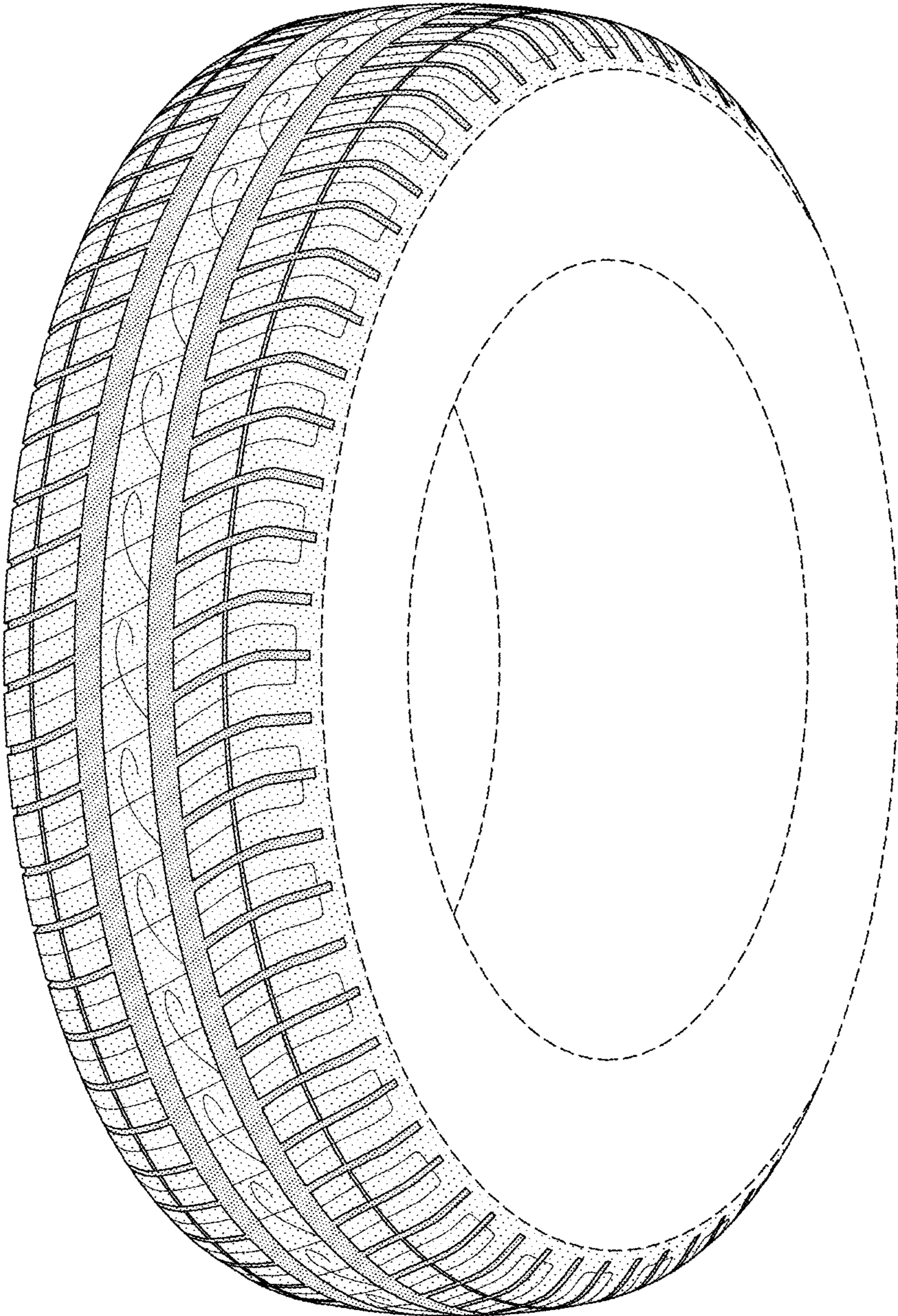


FIG-1

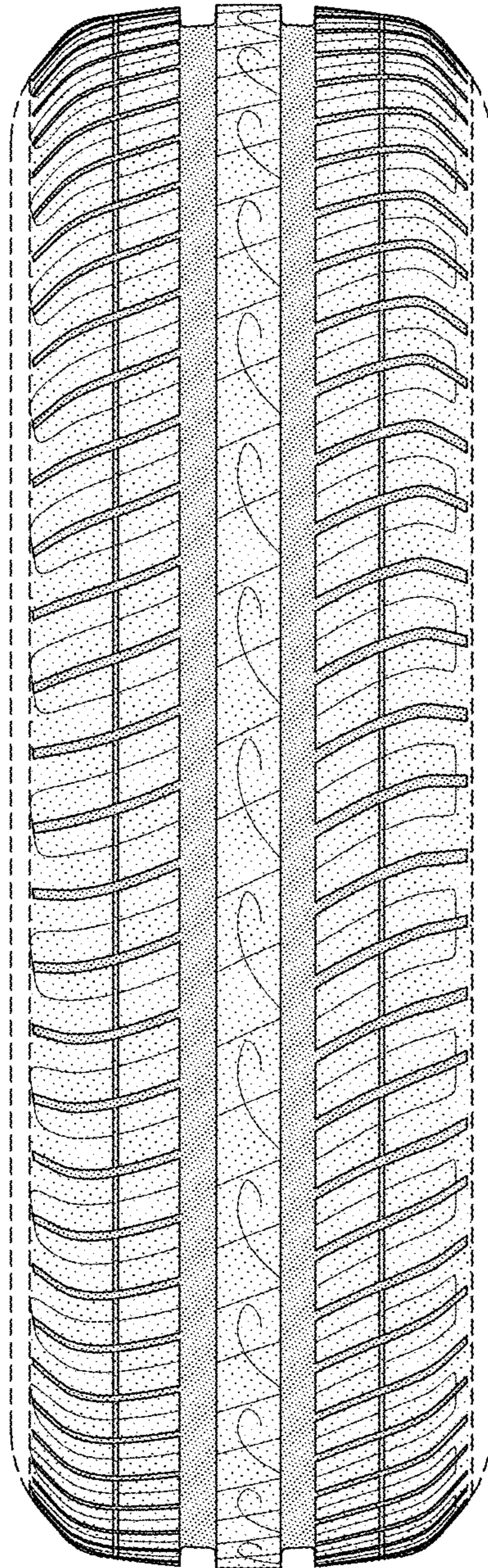


FIG-2

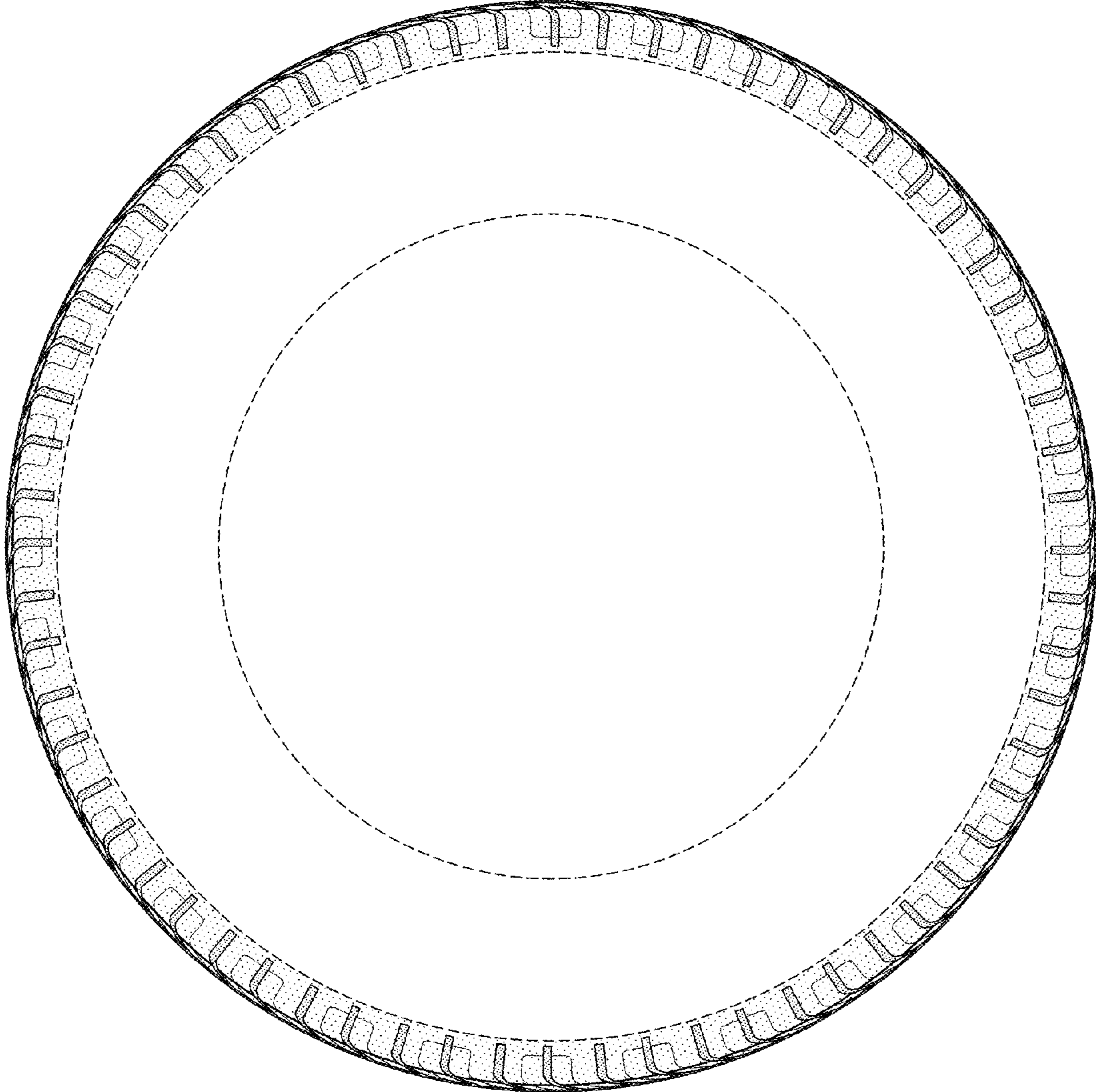


FIG-3

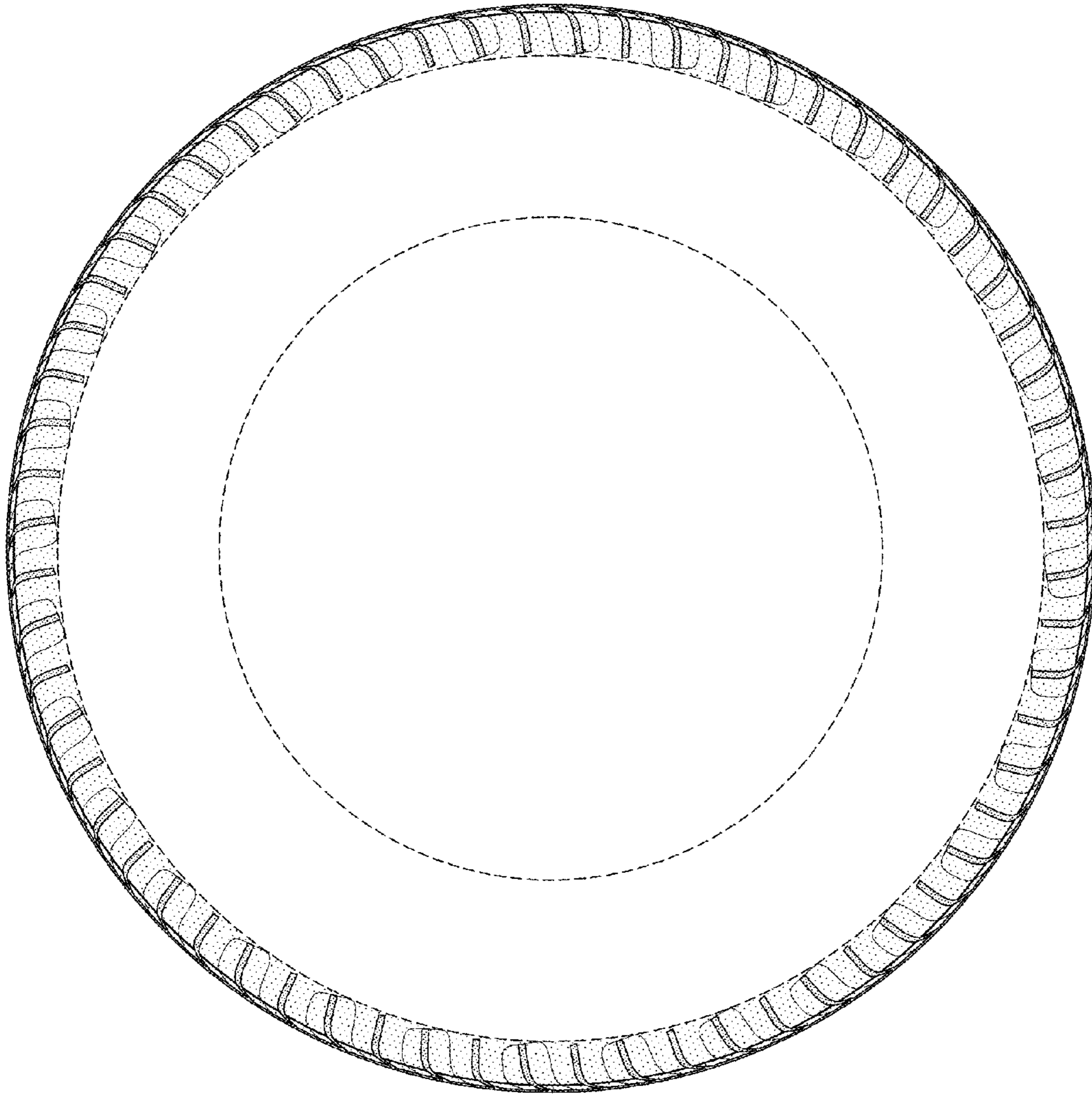


FIG-4

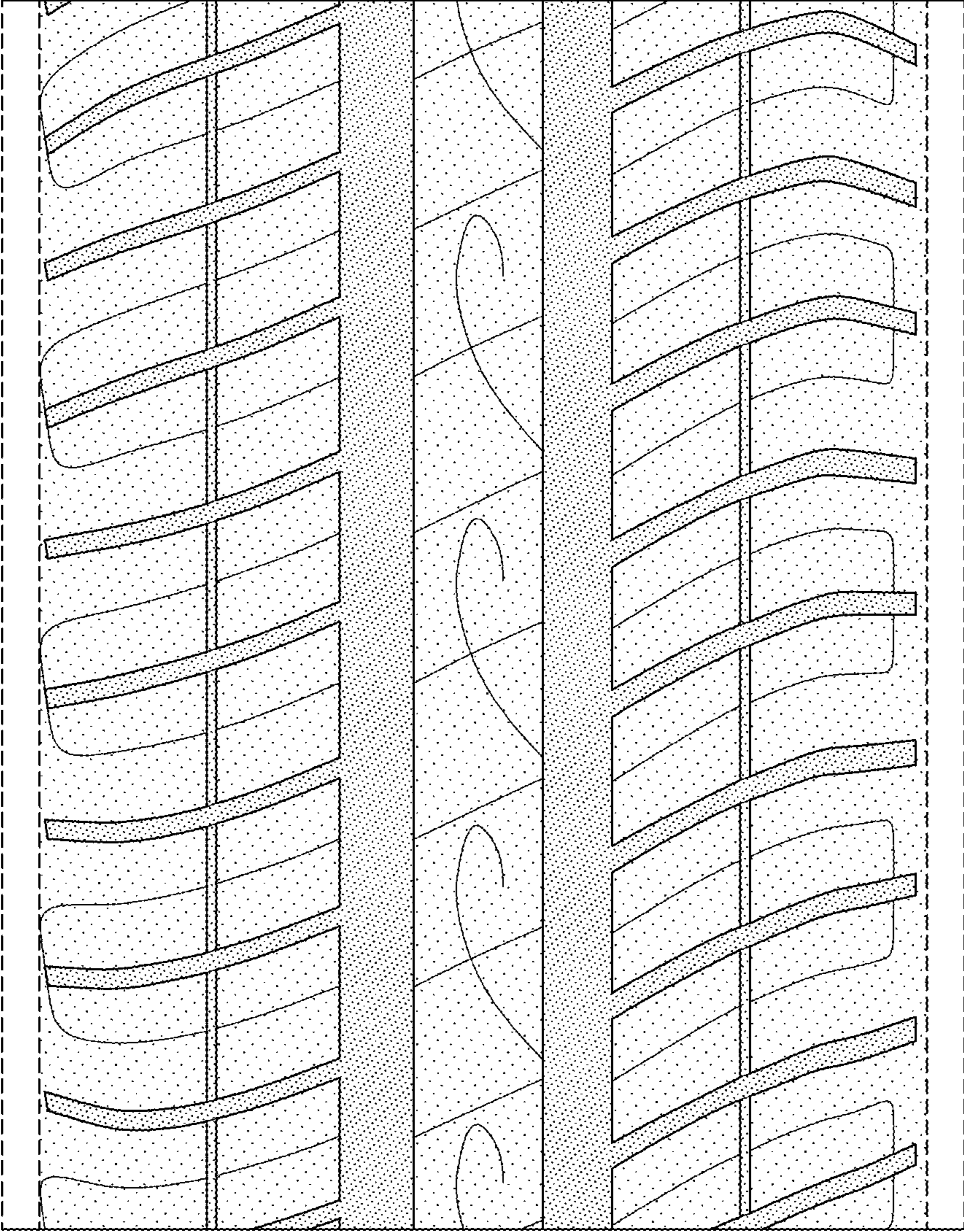


FIG-5

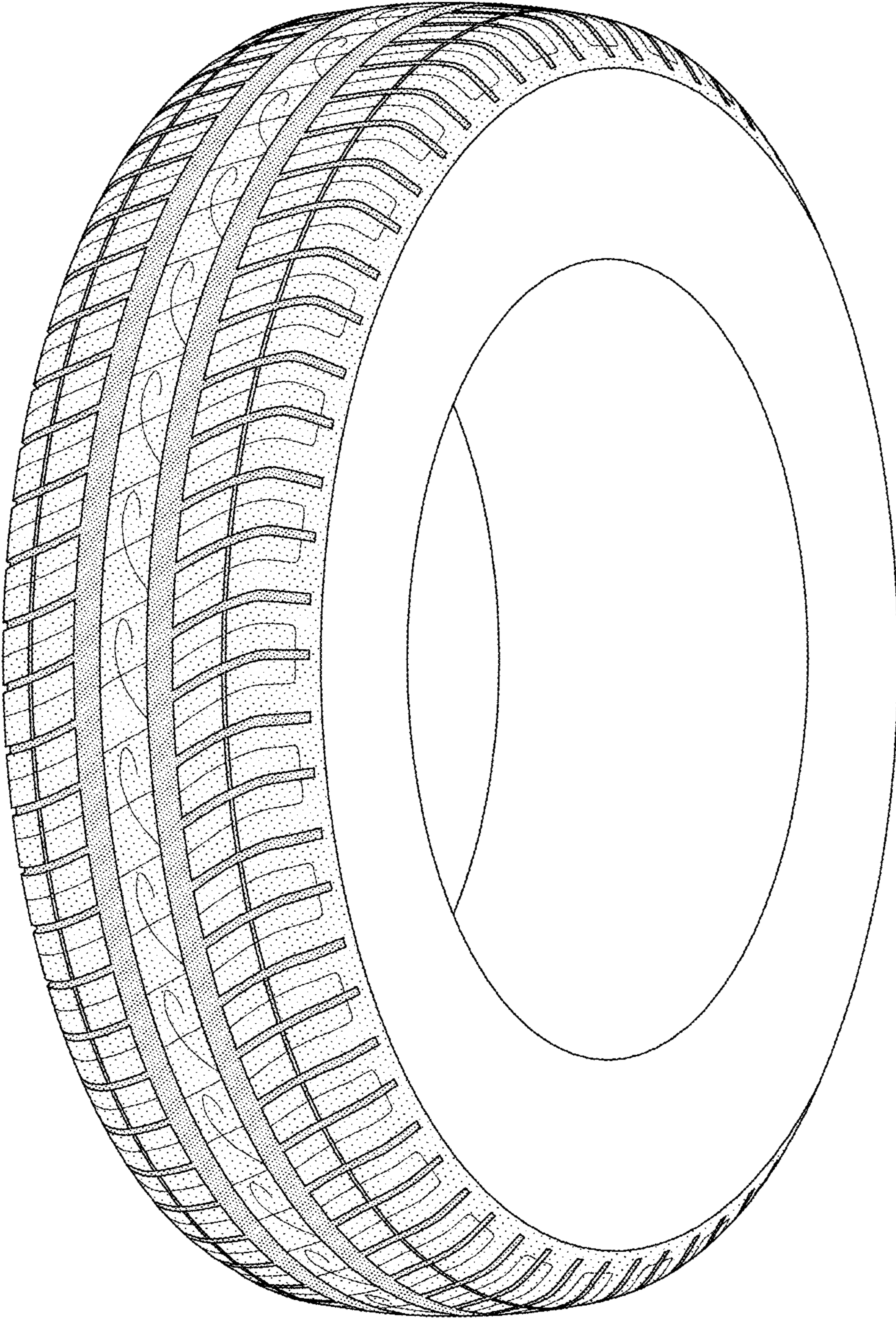


FIG-6

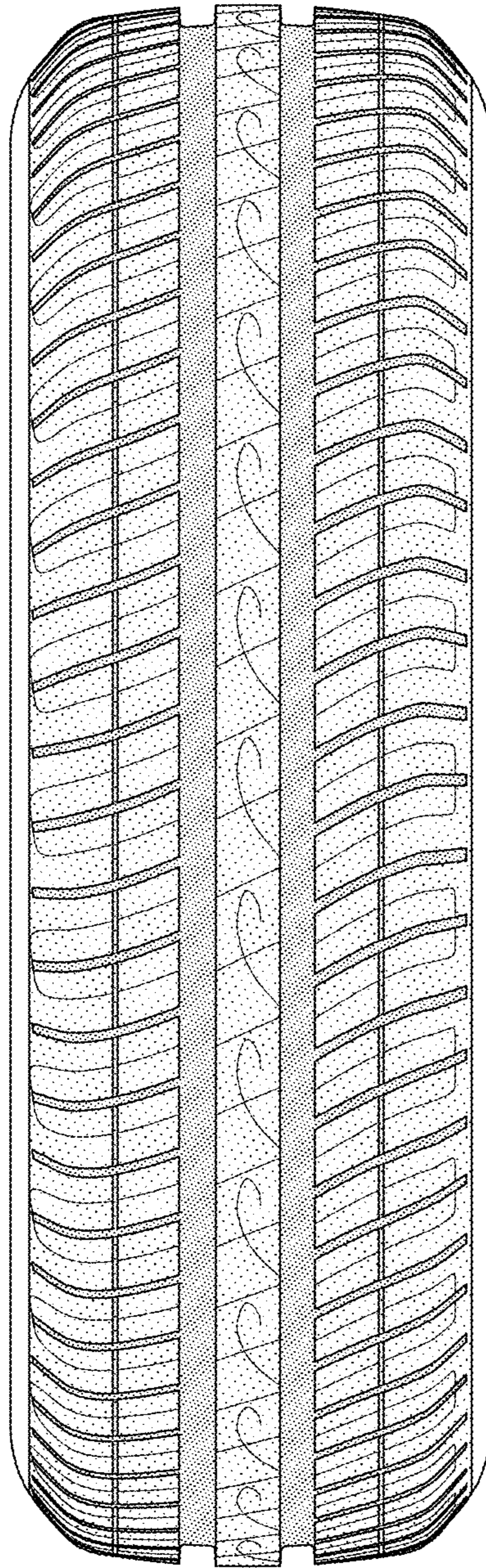


FIG-7