

US00D710290S

(12) **United States Design Patent**
Leconte et al.

(10) **Patent No.:** **US D710,290 S**
(45) **Date of Patent:** **** Aug. 5, 2014**

- (54) **TIRE**
- (71) Applicant: **The Goodyear Tire & Rubber Company, Akron, OH (US)**
- (72) Inventors: **Armand Rene Gabriel Leconte, Gralingen (LU); Sebastien Willy Fontaine, Vichten (LU); Nigel Carl Hosker, Grevenknapp (LU); Pierre Bernard Raoul Brochet, Itzig (LU); Arnaud Caron, Signeulx (BE)**
- (73) Assignee: **The Goodyear Tire & Rubber Company, Akron, OH (US)**
- (**) Term: **14 Years**
- (21) Appl. No.: **29/452,053**
- (22) Filed: **Apr. 11, 2013**
- (51) **LOC (10) Cl.** **12-15**
- (52) **U.S. Cl.**
USPC **D12/517**
- (58) **Field of Classification Search**
USPC D12/505-532, 900-901;
152/209.1-209.9, 209.11-209.19,
152/209.21-209.28, 455
See application file for complete search history.

D586,725 S	2/2009	Fontaine et al.	D12/519
D597,474 S	8/2009	Yamakawa et al.	D12/519
D598,363 S	8/2009	Misumi	D12/515
D599,276 S	9/2009	Fontaine et al.	D12/519
D607,809 S	1/2010	Fontaine et al.	D12/523
D615,024 S *	5/2010	Lee	D12/515
D623,586 S	9/2010	Fontaine et al.	D12/519
D624,006 S *	9/2010	Lee	D12/518
D624,870 S *	10/2010	Fontaine et al.	D12/517
D630,998 S	1/2011	Schmalix et al.	D12/519
D633,433 S	3/2011	Sieber et al.	D12/519
D634,261 S	3/2011	Schmalix et al.	D12/519
D634,699 S	3/2011	Fontaine et al.	D12/517
D639,721 S	6/2011	Berryman et al.	D12/532

(Continued)

Primary Examiner — Stacia Cadmus
(74) *Attorney, Agent, or Firm* — Richard B. O’Planick

(57) **CLAIM**
The ornamental design for a tire, as shown and described.

DESCRIPTION

FIG. 1 is a perspective view of a tire showing our new design, it being understood that the pattern repeats uniformly throughout the circumference of the tread;

FIG. 2 is a front elevational view thereof;

FIG. 3 is a right side elevational view thereof;

FIG. 4 is a left side elevational view thereof;

FIG. 5 is an enlarged fragmentary front elevational view thereof;

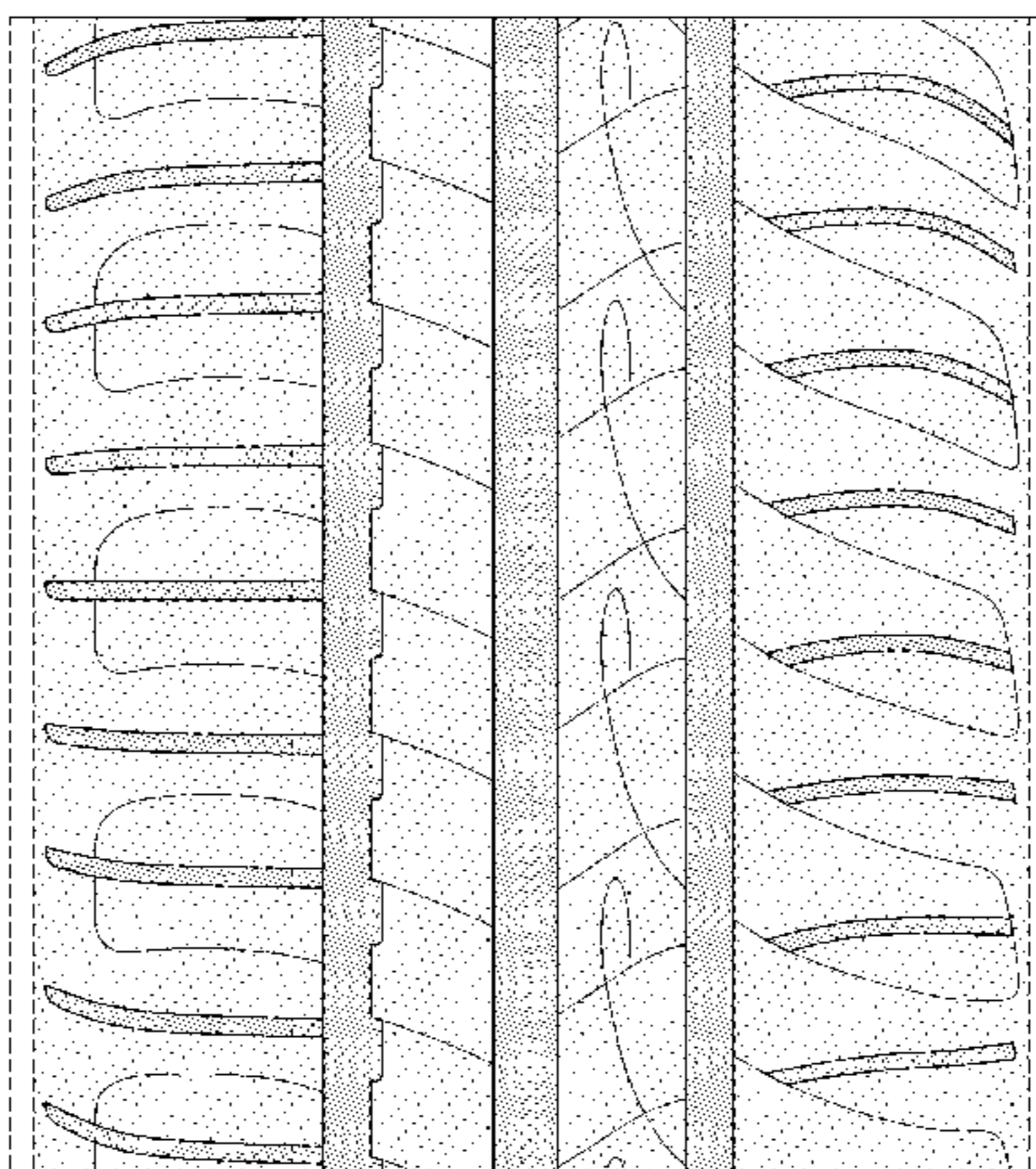
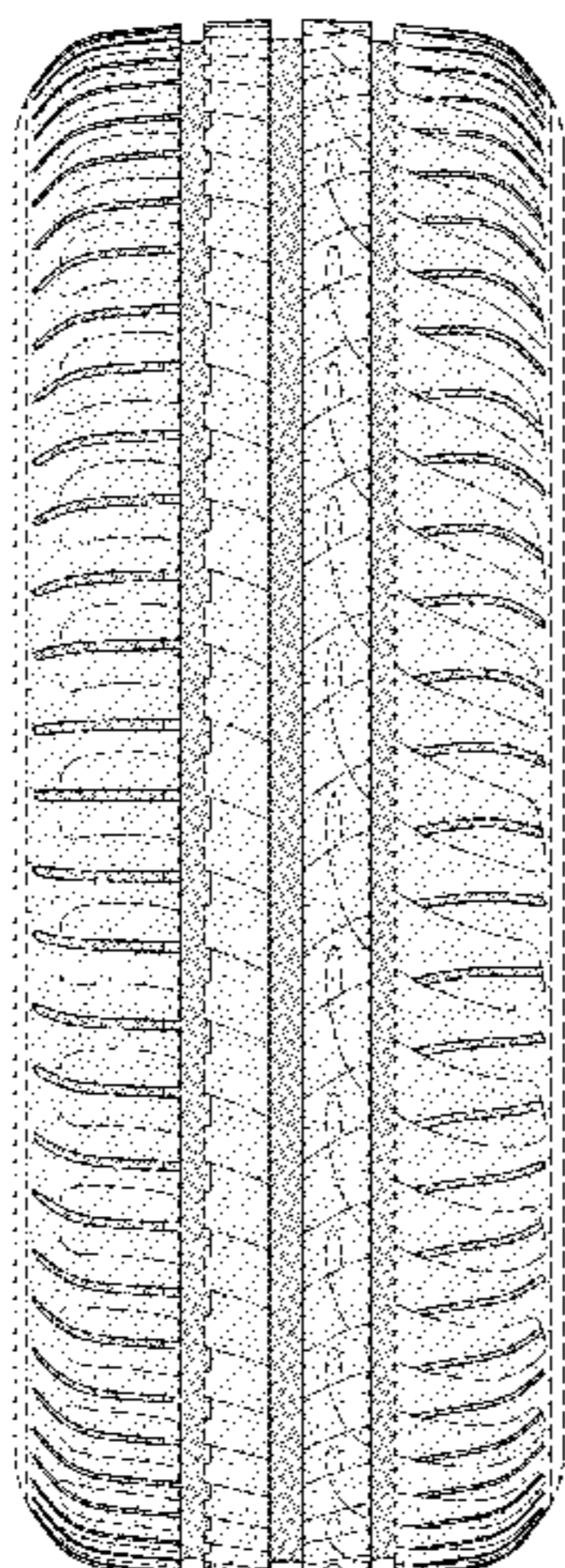
FIG. 6 is a perspective view of a second embodiment of a tire showing our new design, it being understood that the pattern repeats uniformly throughout the circumference of the tread; and,

FIG. 7 is a front elevational view of a second embodiment, it being understood that an enlarged fragmentary view thereof would be substantially identical to that shown in FIG. 5, with the exception of the inclusion of the sidewall in solid lines.

In the drawings, the broken lines showing of the sidewall, inner bead and the peripheral boundary between the tire tread and the sidewall in FIGS. 1 through 5 depict environmental subject matter and form no part of the claimed design.

1 Claim, 7 Drawing Sheets

- (56) **References Cited**
U.S. PATENT DOCUMENTS
- D368,684 S * 4/1996 Scarpitti et al. D12/517
- D490,045 S 5/2004 Delu et al. D12/519
- D490,049 S 5/2004 Heinen et al. D12/524
- D512,013 S 11/2005 Delu et al. D12/521
- D515,021 S 2/2006 Delu et al. D12/524
- D531,116 S 10/2006 Heinen et al. D12/590
- D557,195 S 12/2007 Fontaine et al. D12/524
- D562,757 S 2/2008 Iwai D12/519
- D577,655 S 9/2008 Heinen D12/521
- D578,955 S 10/2008 Fontaine et al. D12/524
- D584,214 S 1/2009 Mukai D12/532
- D586,723 S * 2/2009 Heinen et al. D12/517



(56)

References Cited

U.S. PATENT DOCUMENTS

D639,722 S 6/2011 Sieber et al. D12/532
D644,981 S 9/2011 Ohashi D12/523
D647,453 S * 10/2011 Nomura et al. D12/517
D651,154 S * 12/2011 Almestad D12/317
D651,161 S 12/2011 Umstot et al. D12/519
D654,425 S * 2/2012 Nomura et al. D12/517
D658,115 S * 4/2012 Nomura et al. D12/517
D661,242 S * 6/2012 Schmidt-Zum Berge
et al. D12/517

D665,335 S * 8/2012 Baumard et al. D12/517
D666,137 S 8/2012 Sieber et al. D12/517
D667,358 S 9/2012 Fontaine et al. D12/518
D667,775 S * 9/2012 Rittweger D12/515
D668,202 S * 10/2012 Bonnamour et al. D12/517
D668,204 S 10/2012 Leendertse et al. D12/524
D675,148 S * 1/2013 Kiwaki D12/517
D675,558 S * 2/2013 Harris et al. D12/517
D692,371 S * 10/2013 Fontaine et al. D12/517

* cited by examiner

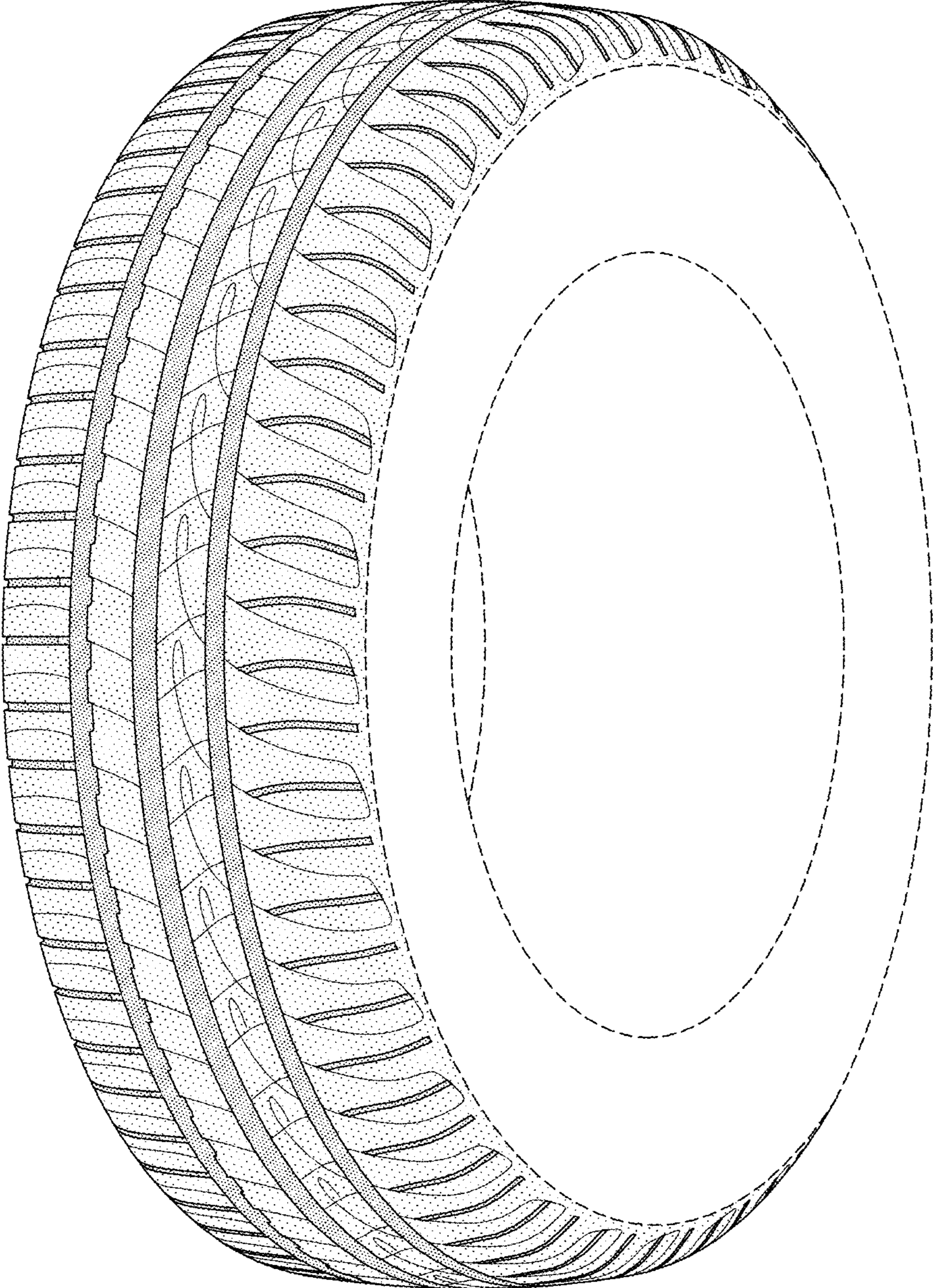


FIG-1

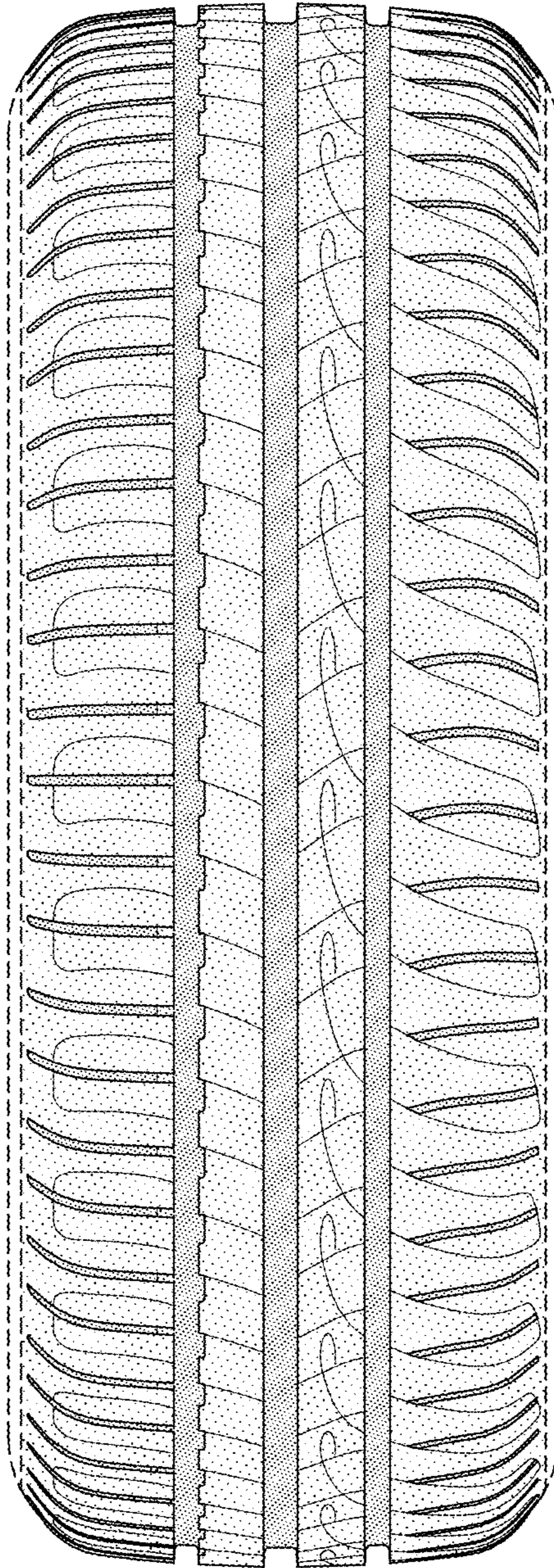


FIG-2

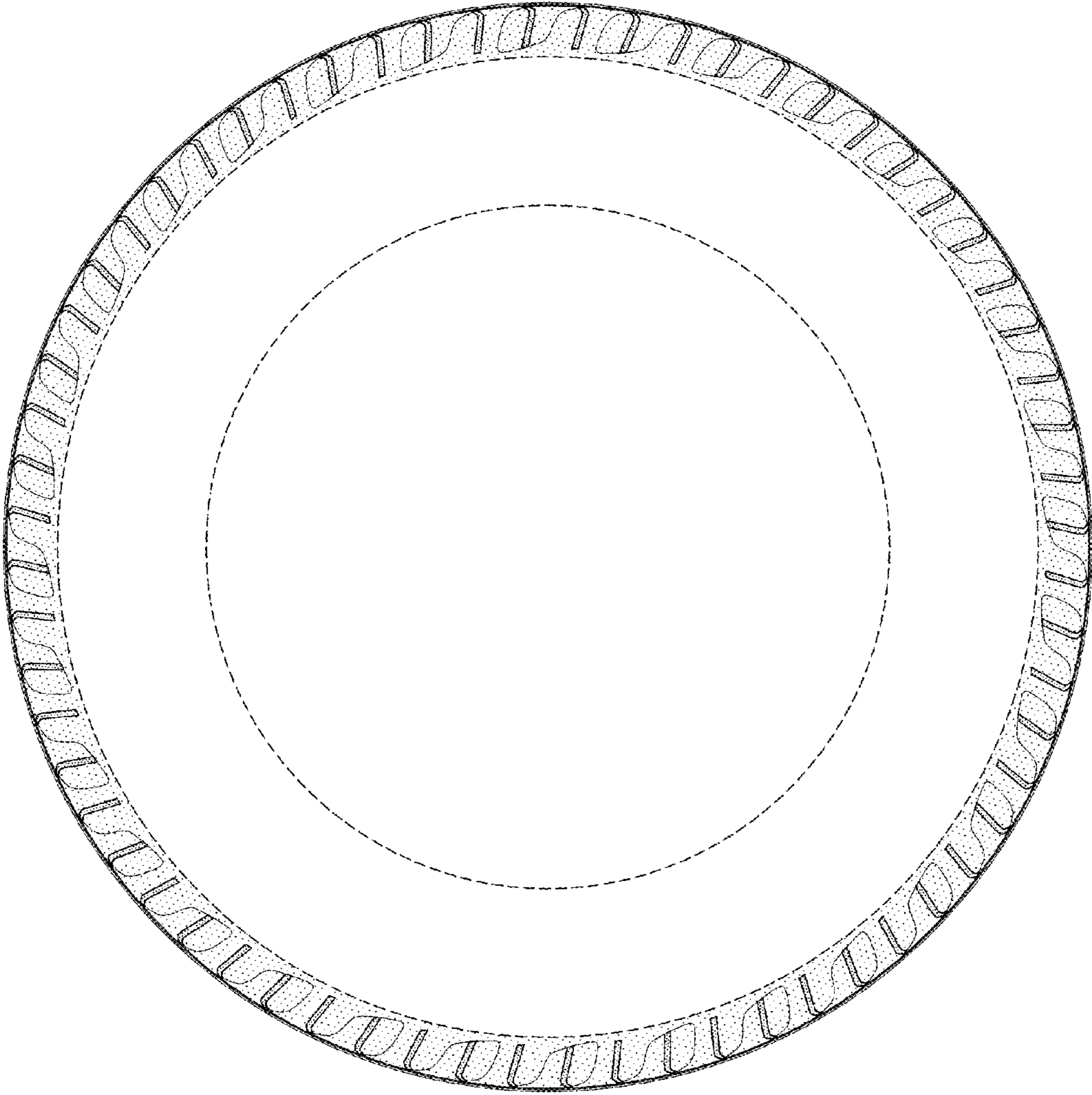


FIG-3

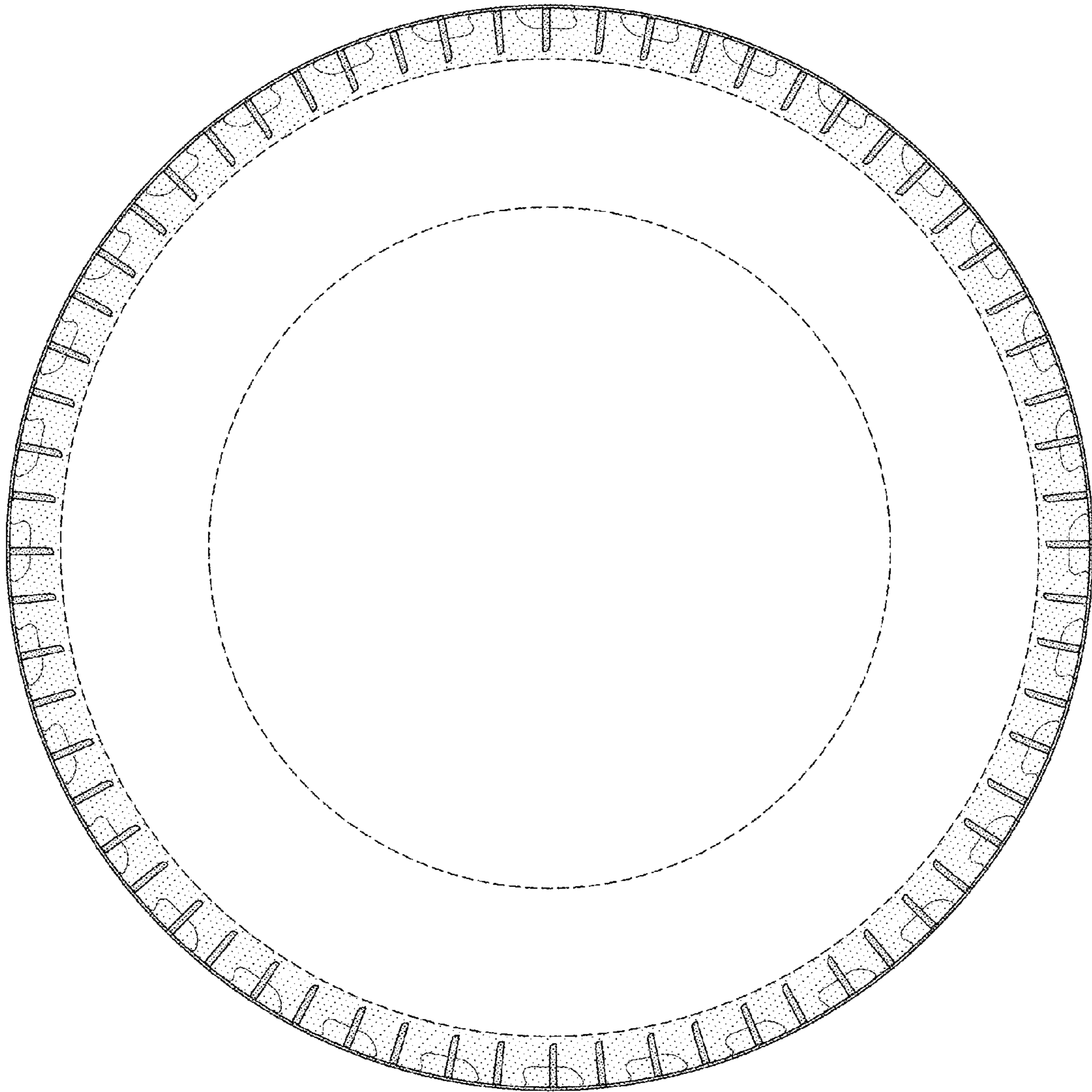


FIG-4

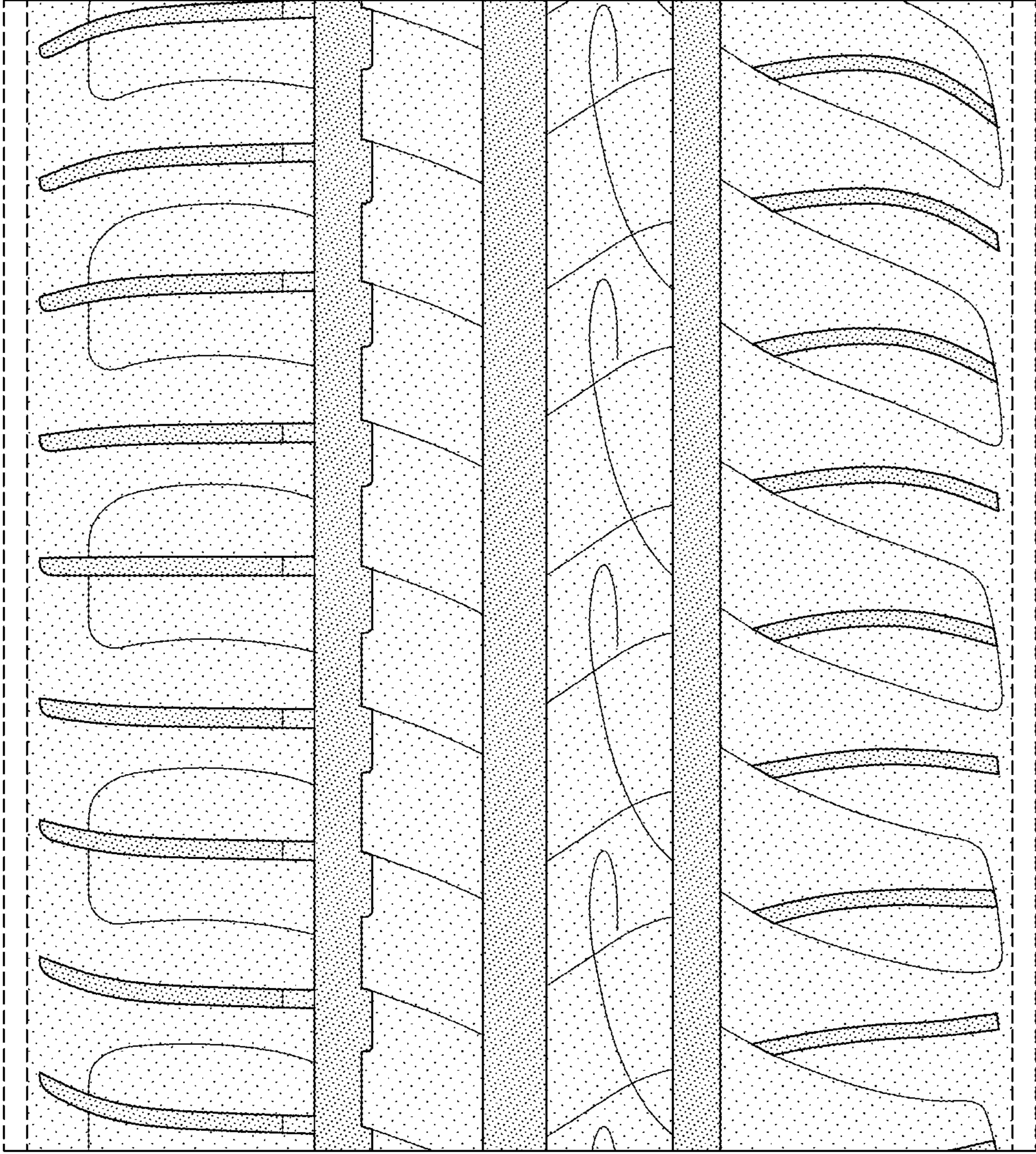


FIG-5

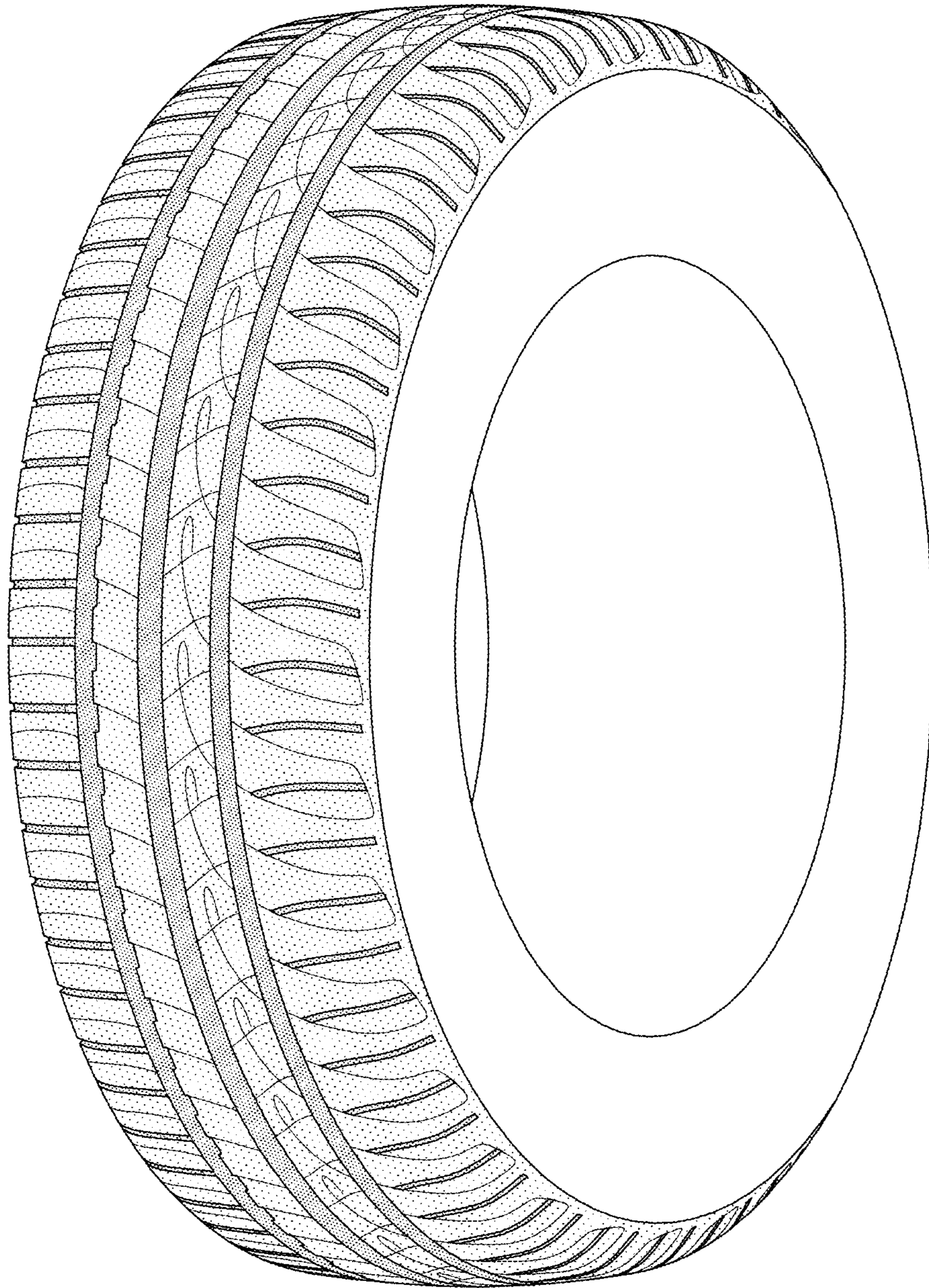


FIG-6

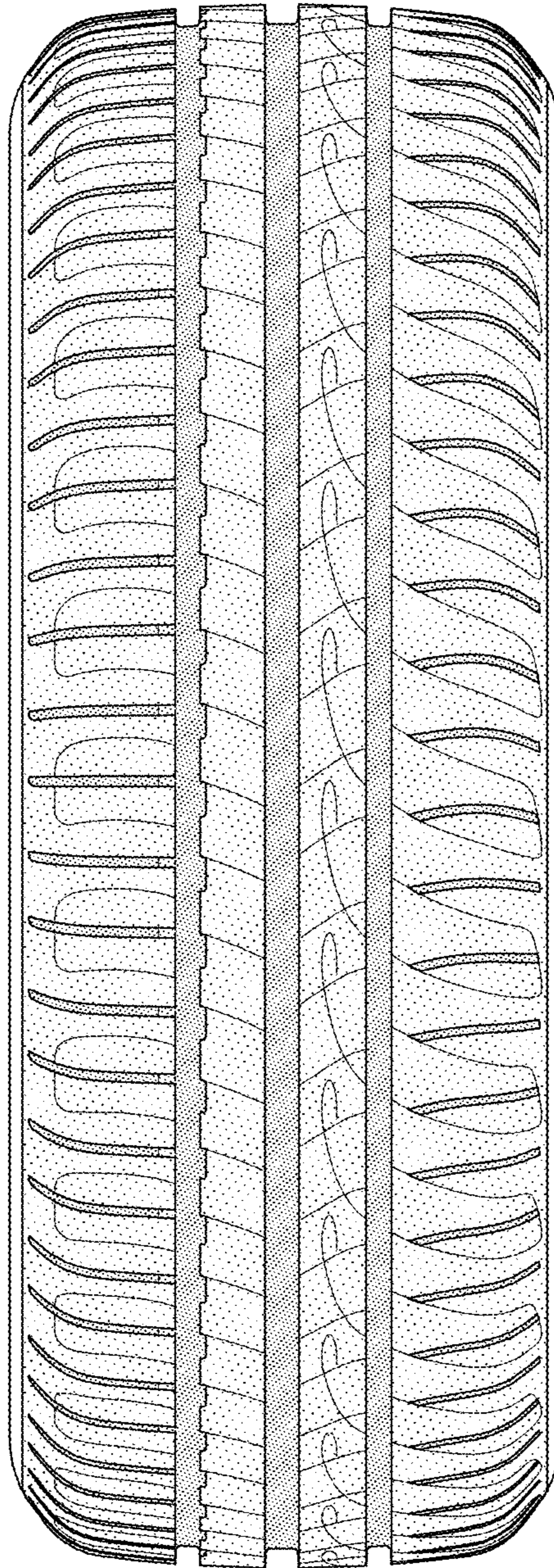


FIG-7