



US00D710289S

(12) **United States Design Patent**
Biron

(10) **Patent No.:** **US D710,289 S**

(45) **Date of Patent:** **** Aug. 5, 2014**

(54) **FLOATING STORAGE DEVICE FOR KAYAKS**

(71) Applicant: **Nicholas Alan Biron**, Durham, NC (US)

(72) Inventor: **Nicholas Alan Biron**, Durham, NC (US)

(**) Term: **14 Years**

(21) Appl. No.: **29/461,270**

(22) Filed: **Jul. 20, 2013**

(51) **LOC (10) Cl.** **12-06**

(52) **U.S. Cl.**
USPC **D12/317**

(58) **Field of Classification Search**
USPC D12/302, 317, 318; 114/242, 249, 256,
114/343, 347, 361, 382
See application file for complete search history.

(56) **References Cited**

U.S. PATENT DOCUMENTS

4,871,079	A *	10/1989	Doucette et al.	220/560
D325,020	S *	3/1992	Doherty	D12/317
5,119,752	A *	6/1992	Doherty	114/382
5,435,261	A *	7/1995	Androus	114/256
5,613,459	A *	3/1997	Remy	114/55.5

5,791,280	A *	8/1998	Egan et al.	114/361
6,840,190	B2 *	1/2005	Godek	114/347
7,581,506	B2 *	9/2009	Whitney	114/249
8,302,986	B1 *	11/2012	Shilts	280/414.1

* cited by examiner

Primary Examiner — Cynthia M Chin

(74) *Attorney, Agent, or Firm* — Raymond J. Walsh, Jr.

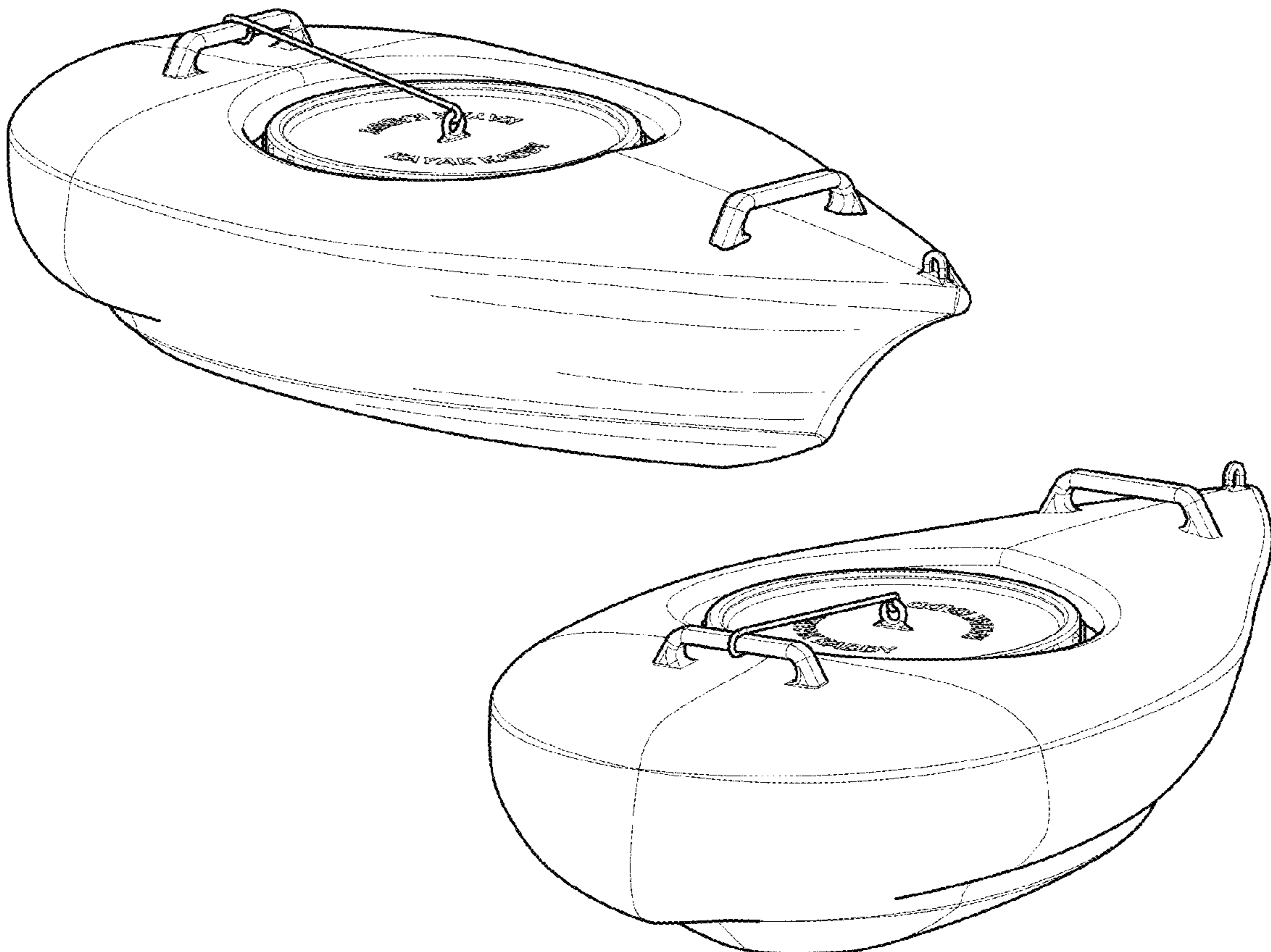
(57) **CLAIM**

The ornamental design for a floating storage device for kayaks, as shown and described.

DESCRIPTION

FIG. 1 is a front-perspective view according to the present invention;
 FIG. 2 is a rear-perspective view according to the present invention;
 FIG. 3 is a front view according to the present invention;
 FIG. 4 is a right-side view according to the present invention;
 FIG. 5 is a rear view according to the present invention;
 FIG. 6 is a left-side view according to the present invention;
 FIG. 7 is a top view according to the present invention; and,
 FIG. 8 is a bottom view according to the present invention.

1 Claim, 5 Drawing Sheets



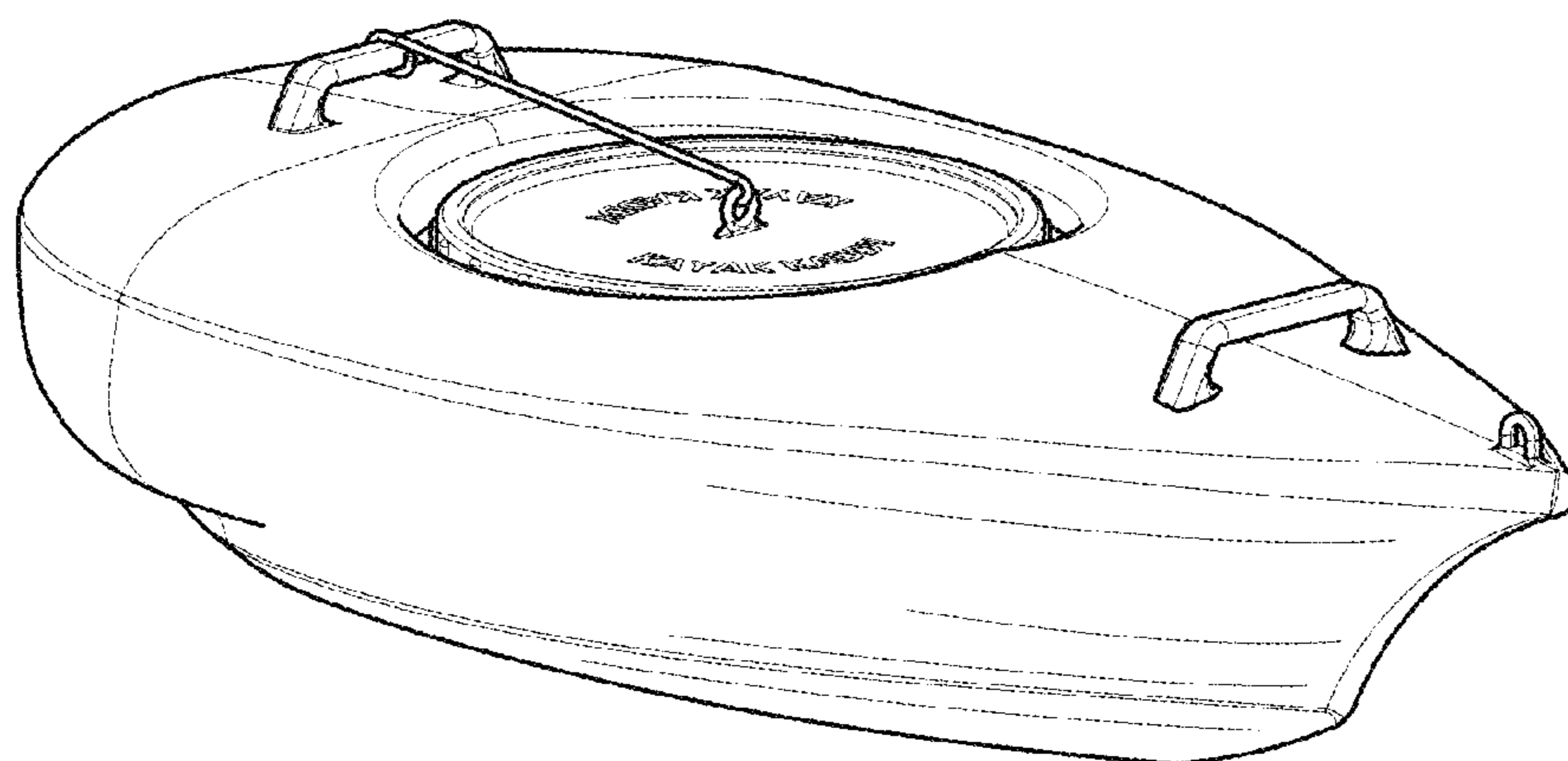


Figure 1

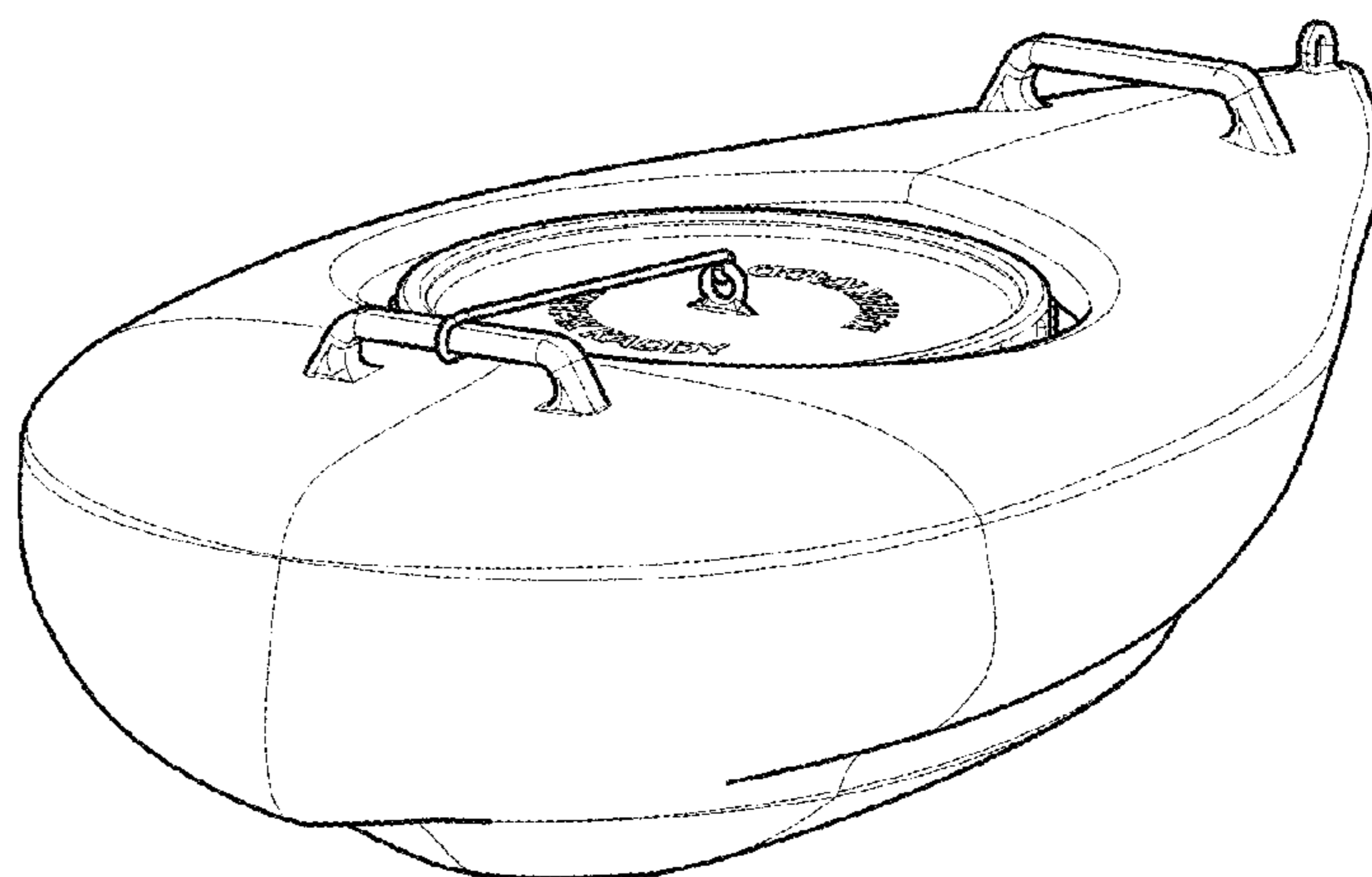


Figure 2

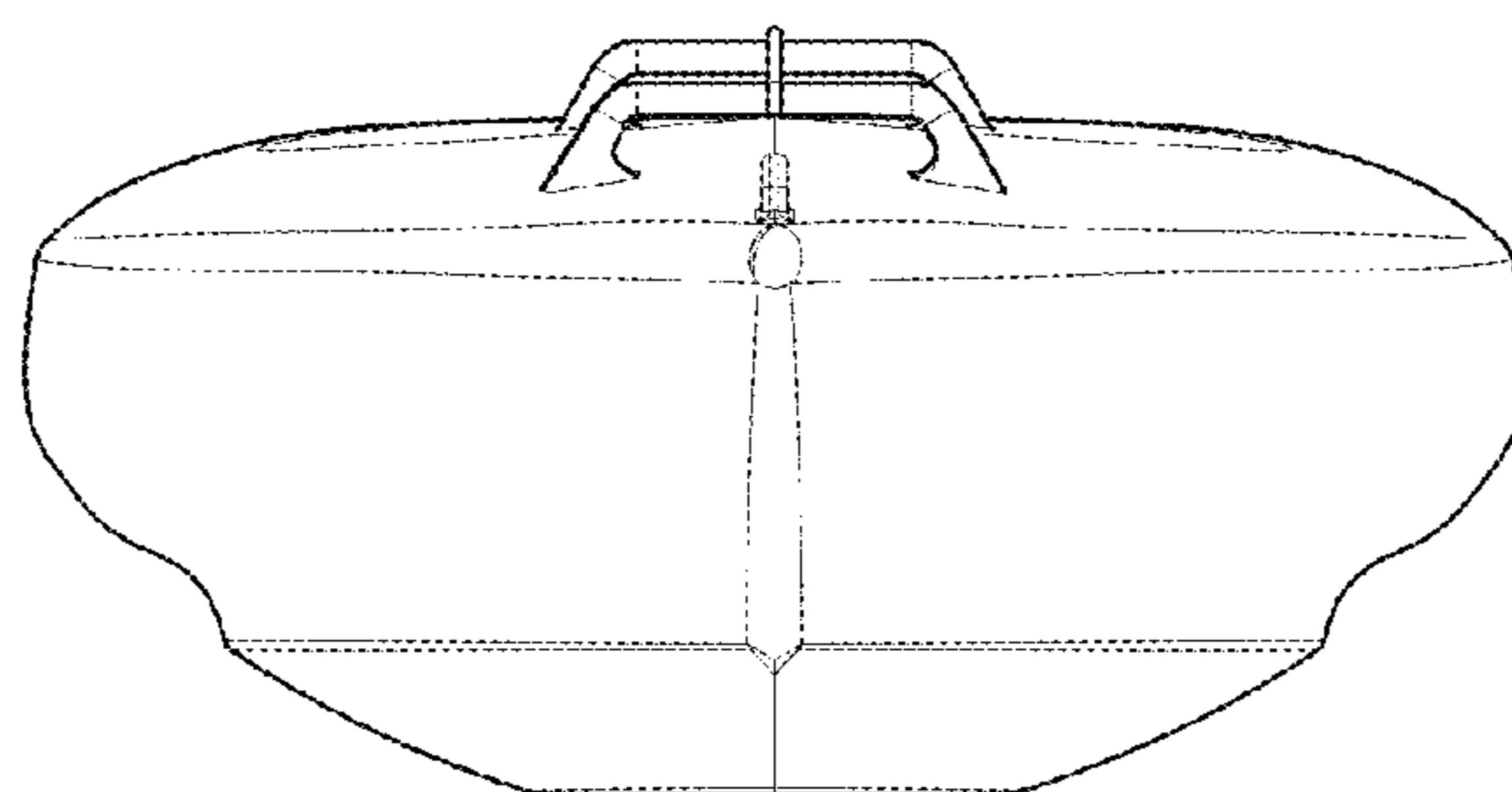


Figure 3

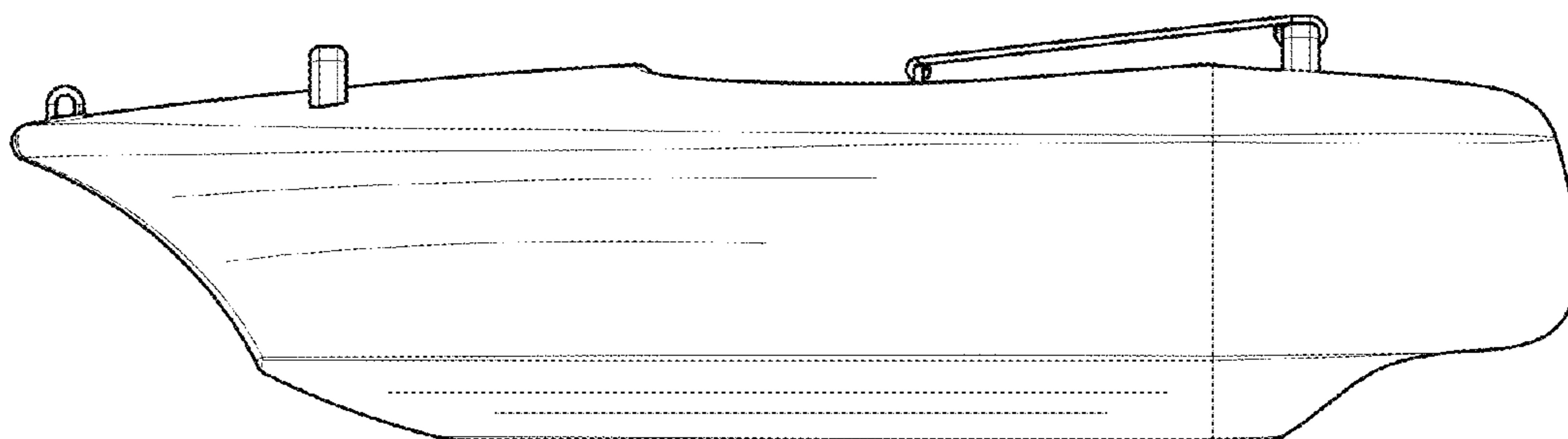


Figure 4

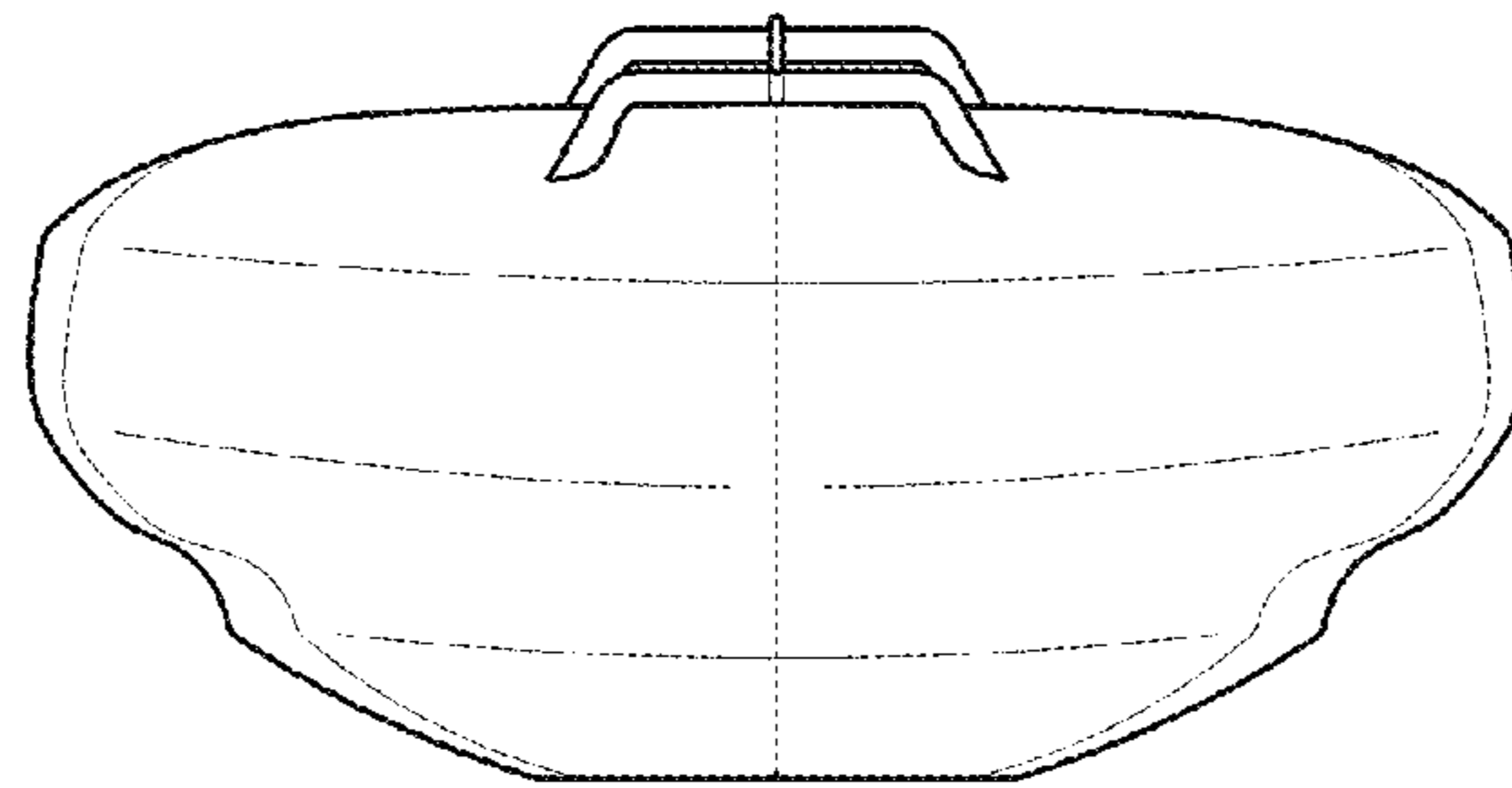


Figure 5

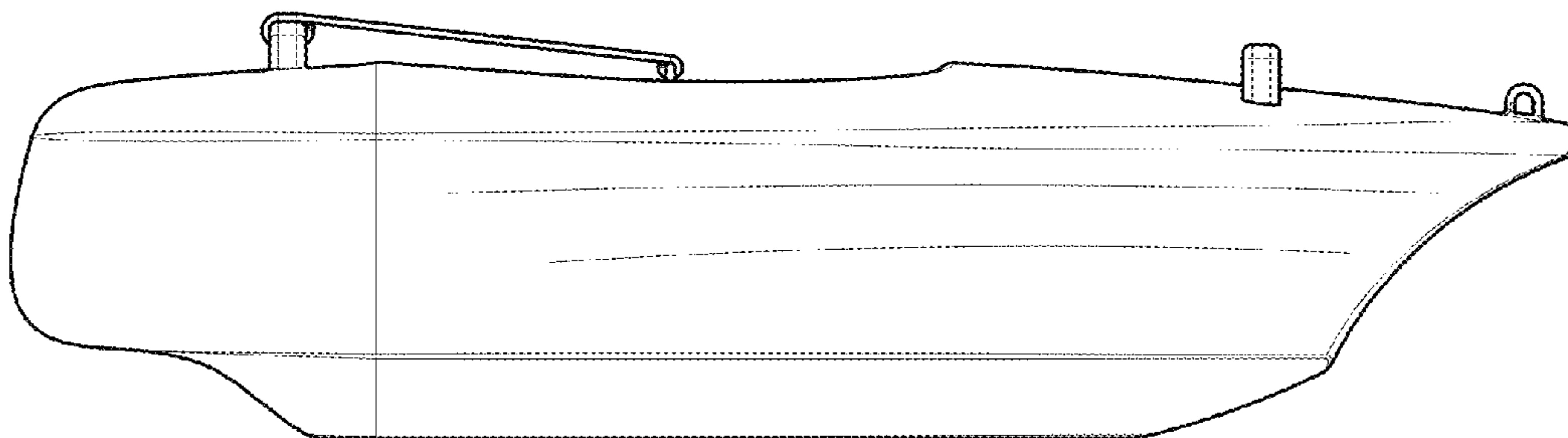


Figure 6

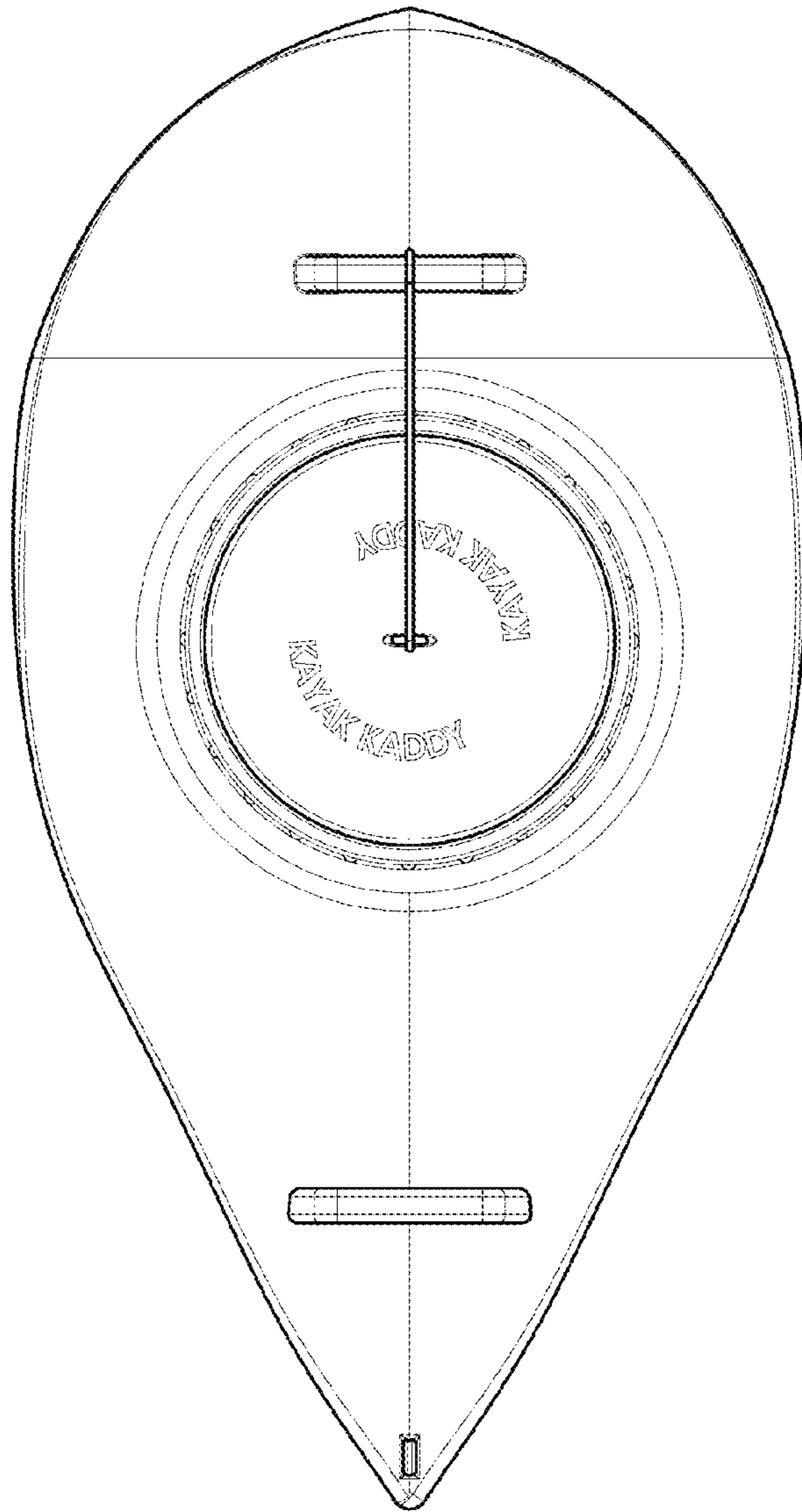


Figure 7

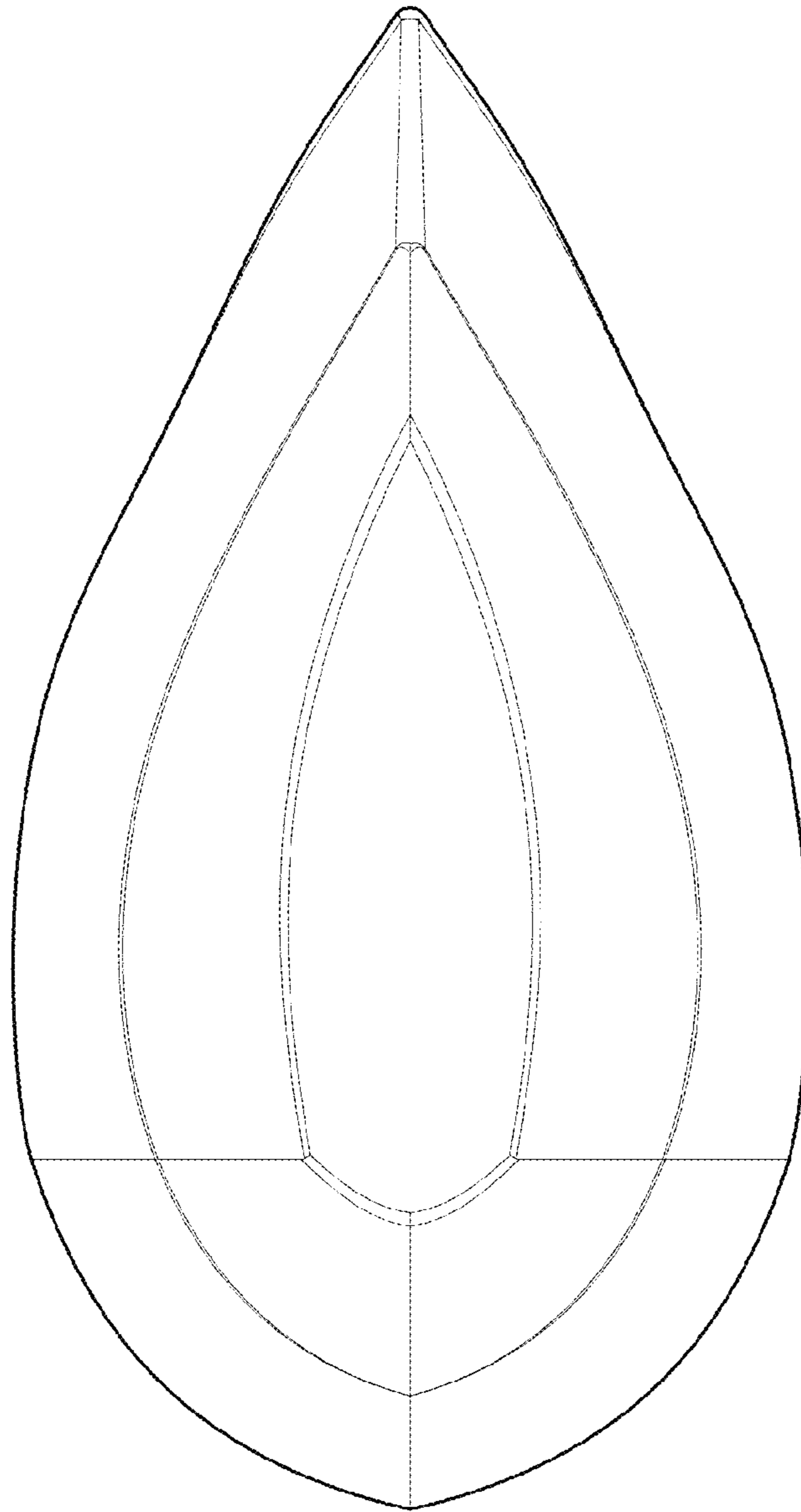


Figure 8