



US00D710288S

(12) **United States Design Patent**
Dorton et al.

(10) **Patent No.:** **US D710,288 S**
(45) **Date of Patent:** **** Aug. 5, 2014**

(54) **SWIM PLATFORM**

(71) Applicant: **Bryant Boats, Inc.**, Sweetwater, TN
(US)

(72) Inventors: **Benjamin Parker Dorton**, Knoxville,
TN (US); **John R. Dorton**, Knoxville,
TN (US)

(73) Assignee: **Bryant Boats, Inc.**, Sweetwater, TN
(US)

(**) Term: **14 Years**

(21) Appl. No.: **29/449,788**

(22) Filed: **Mar. 15, 2013**

(51) **LOC (10) Cl.** **12-06**

(52) **U.S. Cl.**
USPC **D12/316**

(58) **Field of Classification Search**

CPC B63B 27/146; B63B 27/14; B63B 27/143;
B63B 35/38; A01G 31/00
USPC D12/316, 317, 300; D8/381, 380;
362/249.02; 441/129; 182/84; 108/152;
29/428; 156/304.5, 242, 244.11,
156/244.13, 244.15, 244.17, 304.1, 304.3;
264/145, 148, 152; 405/219; 52/836,
52/177, 220.5; 181/235, 238, 239, 240,
181/250, 255, 269, 273; 114/362, 72, 266,
114/26, 201 R, 85, 65 R, 76, 263, 264, 65 A,
114/63, 84, 363, 355, 343, 357; 440/87, 11,
440/89 E, 89 R, 89 J

See application file for complete search history.

(56) **References Cited**

U.S. PATENT DOCUMENTS

3,613,137 A 10/1971 Eccles
D253,999 S * 1/1980 Richards et al. D12/317
4,548,155 A * 10/1985 Hegg et al. 114/362
5,094,640 A 3/1992 Burdick et al.

5,329,074 A * 7/1994 Alexander 181/235
5,481,998 A * 1/1996 Trent 114/355
5,572,944 A * 11/1996 Slikkers et al. 114/343
5,632,224 A * 5/1997 Schneider 114/362
D515,009 S * 2/2006 Stepp D12/317
D547,256 S * 7/2007 Kalil D12/317
7,341,016 B2 * 3/2008 Terleski et al. 114/343
8,028,639 B2 * 10/2011 Rodger 114/357
8,182,643 B2 * 5/2012 Fanucci et al. 156/304.5

(Continued)

Primary Examiner — Eric Goodman

Assistant Examiner — Ryan Harvey

(74) *Attorney, Agent, or Firm* — Luedeka Neely Group, P.C.

(57) **CLAIM**

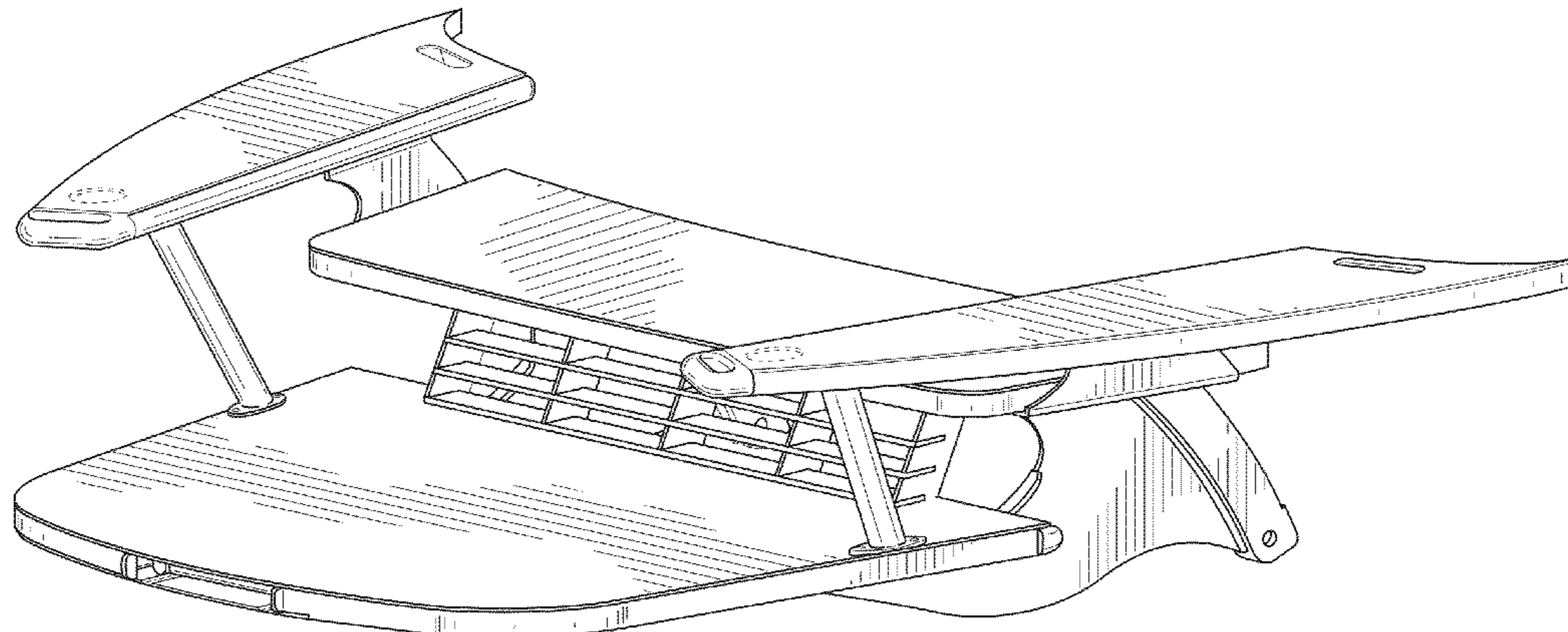
The ornamental design of a swim platform, as shown and described.

DESCRIPTION

FIG. 1 is a frontal perspective view of the swim platform of our new design;
FIG. 2 is a front plan view of the swim platform of our new design;
FIG. 3 is a front plan view of the swim platform of our new design;
FIG. 4 is a top plan view of the swim platform of our new design;
FIG. 5 is a bottom plan view of the swim platform of our new design;
FIG. 6 is a right side view of the swim platform of our new design;
FIG. 7 is a left side view of the swim platform of our new design;
FIG. 8 is a frontal perspective view of the swim platform of our new design; and,
FIG. 9 is a front plan view of the swim platform of our new design.

The broken line portions of the drawings are included for the purpose of illustrating unclaimed structure and form no part of the claimed design.

1 Claim, 8 Drawing Sheets



US D710,288 S

Page 2

(56)

References Cited

U.S. PATENT DOCUMENTS

8,375,880	B1 *	2/2013	St. Clair et al.	114/362	2010/0180812	A1 *	7/2010	Trippodo	114/362
2007/0006789	A1 *	1/2007	Davidson et al.	114/362	2011/0023770	A1 *	2/2011	Brown	114/362
					2012/0240839	A1 *	9/2012	Nelson	114/362
					2013/0160695	A1 *	6/2013	Gratz et al.	114/362

* cited by examiner

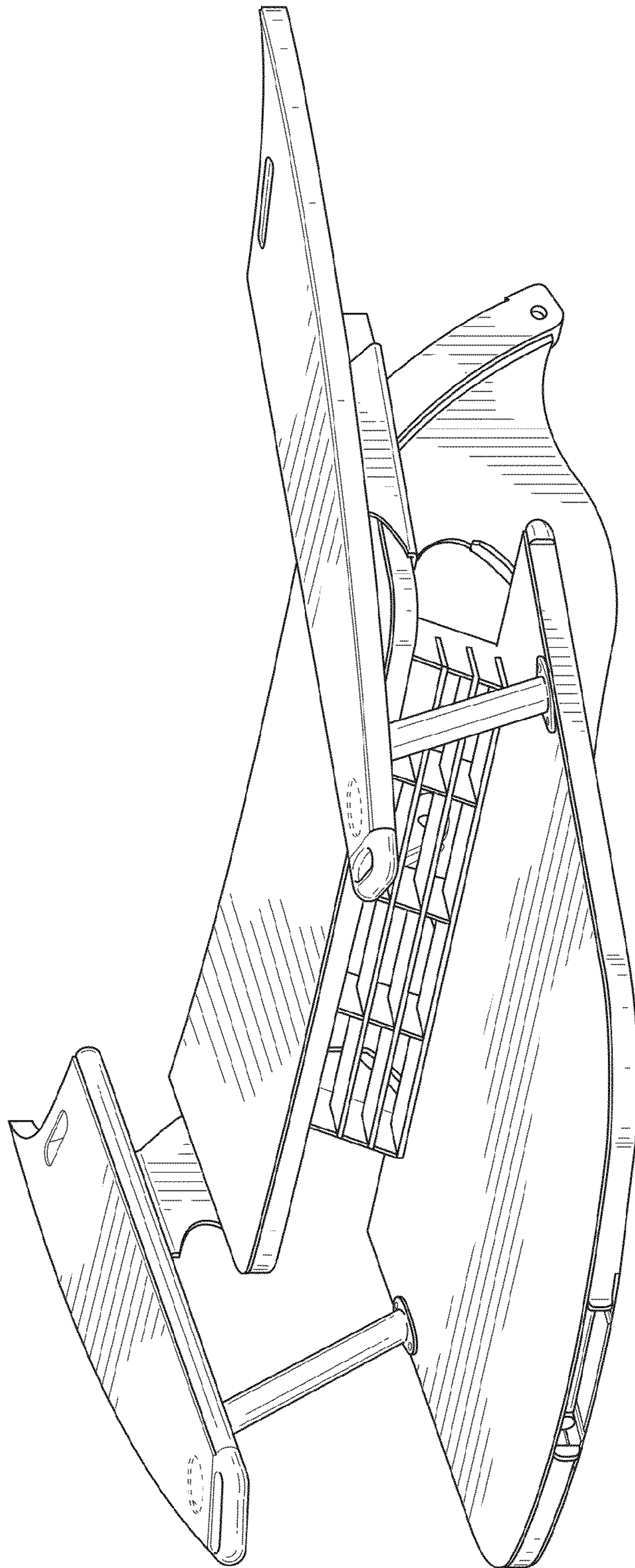


FIG. 1

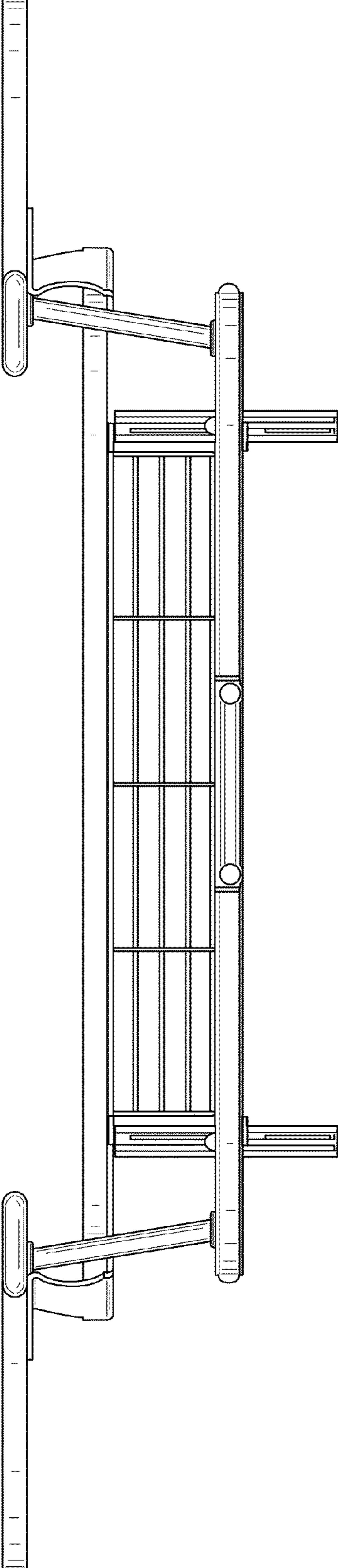


FIG. 2

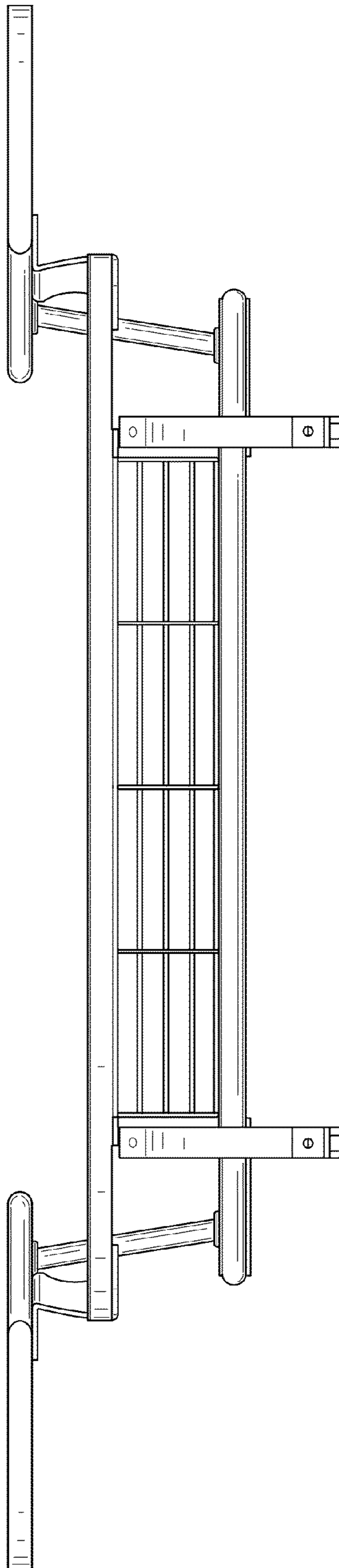


FIG. 3

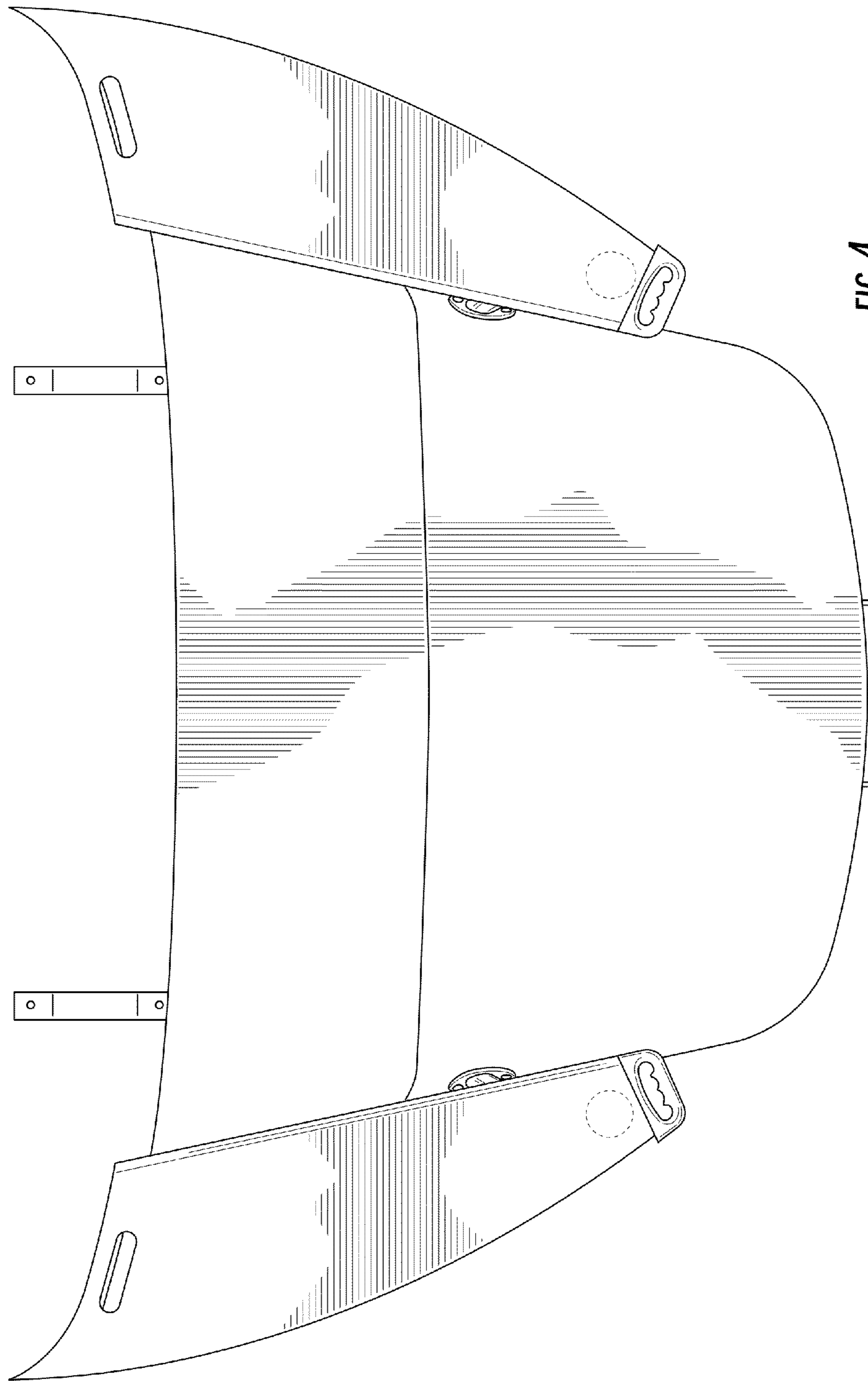


FIG. 4

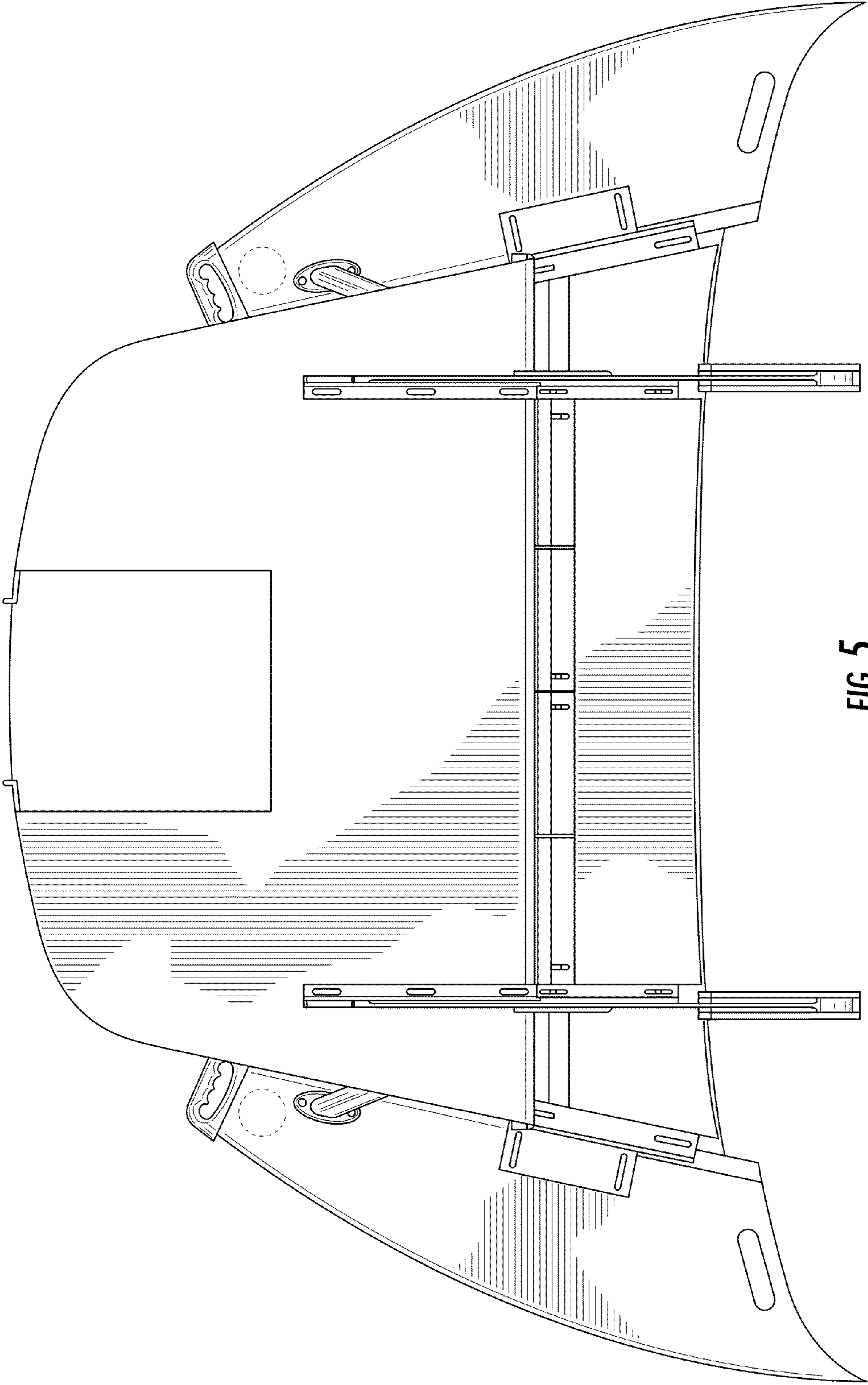


FIG. 5

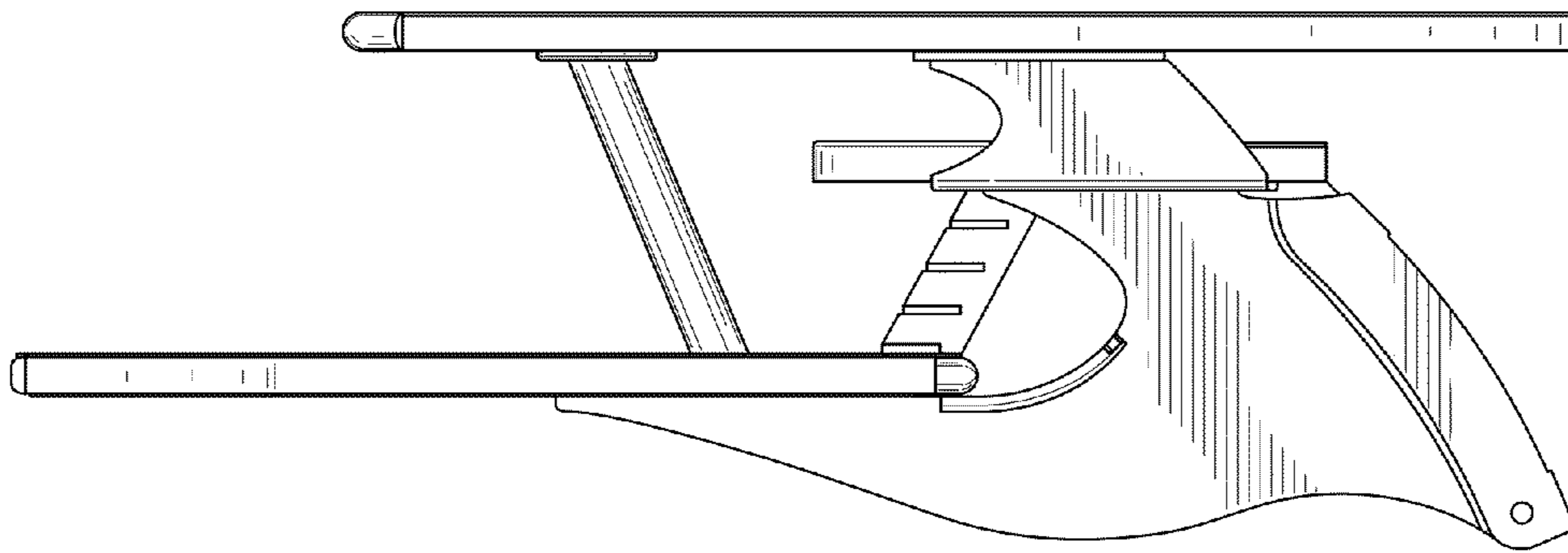


FIG. 6

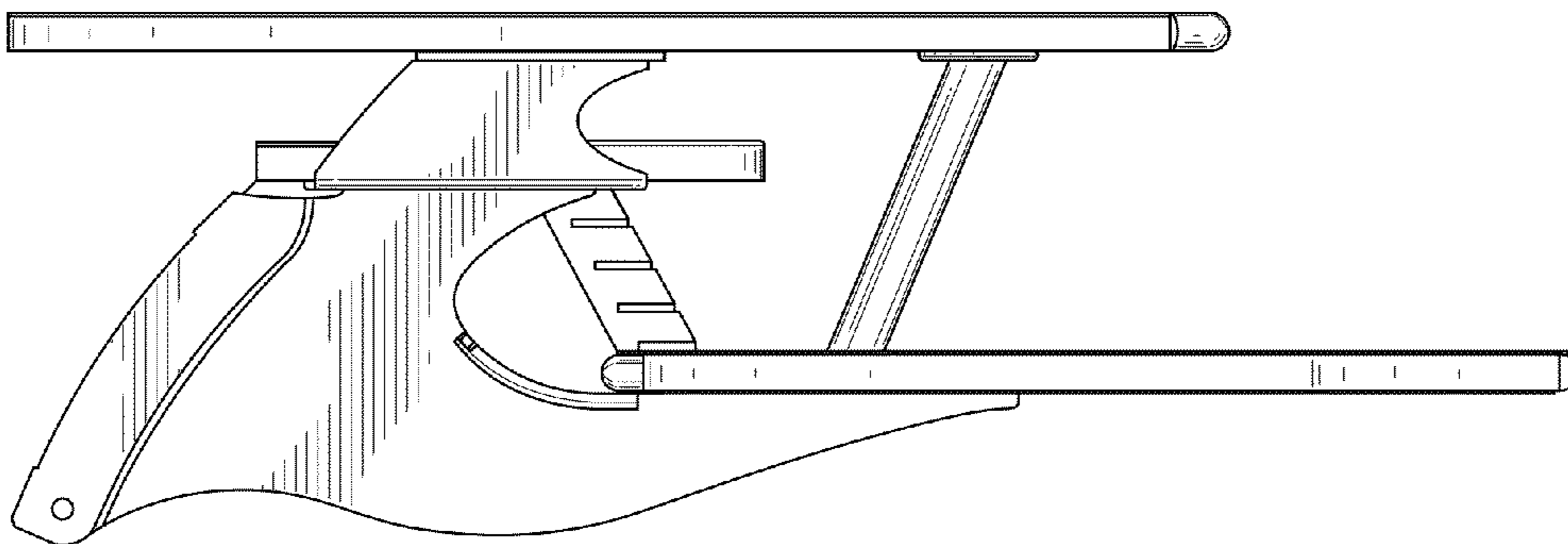


FIG. 7

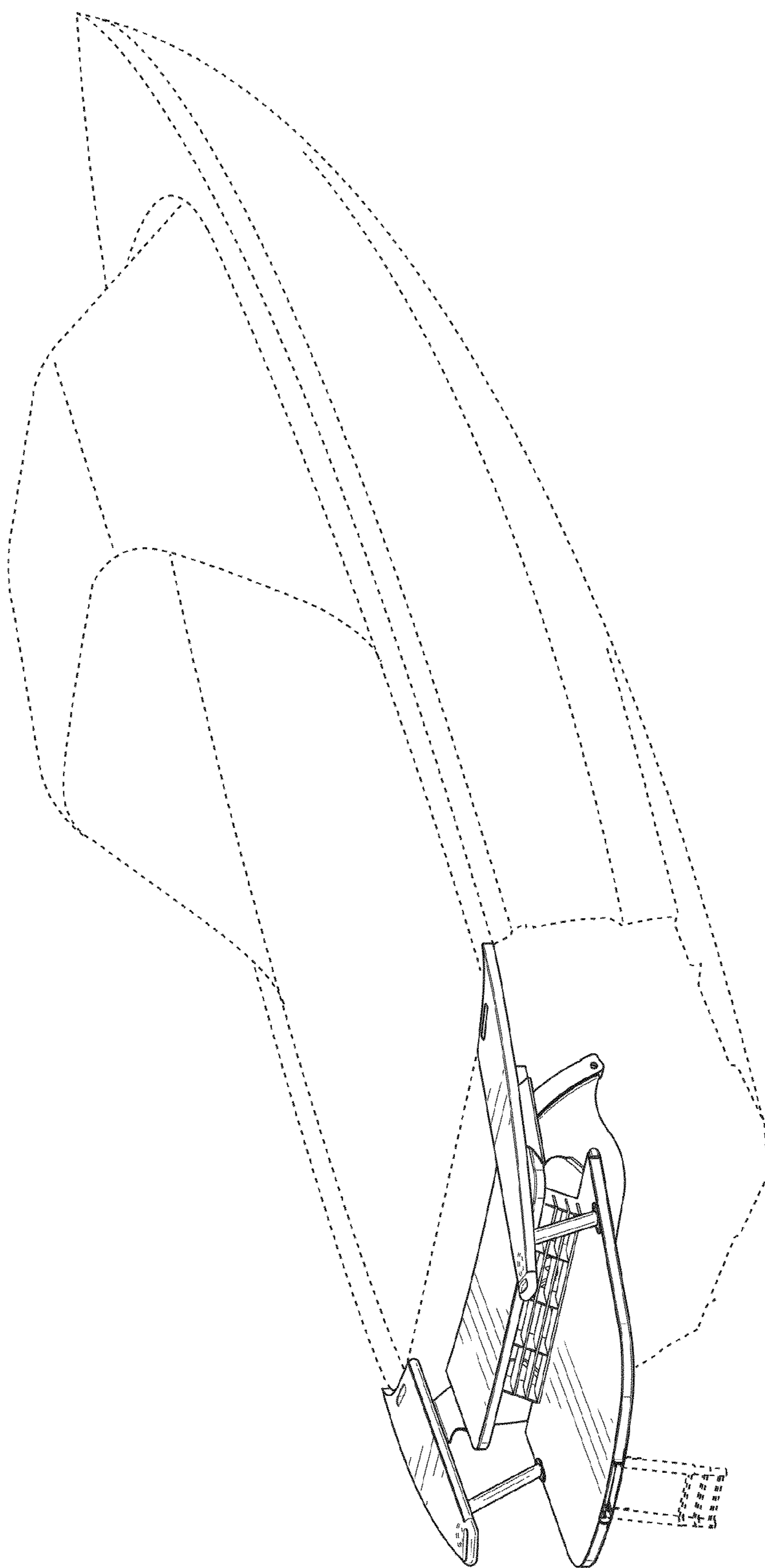


FIG. 8

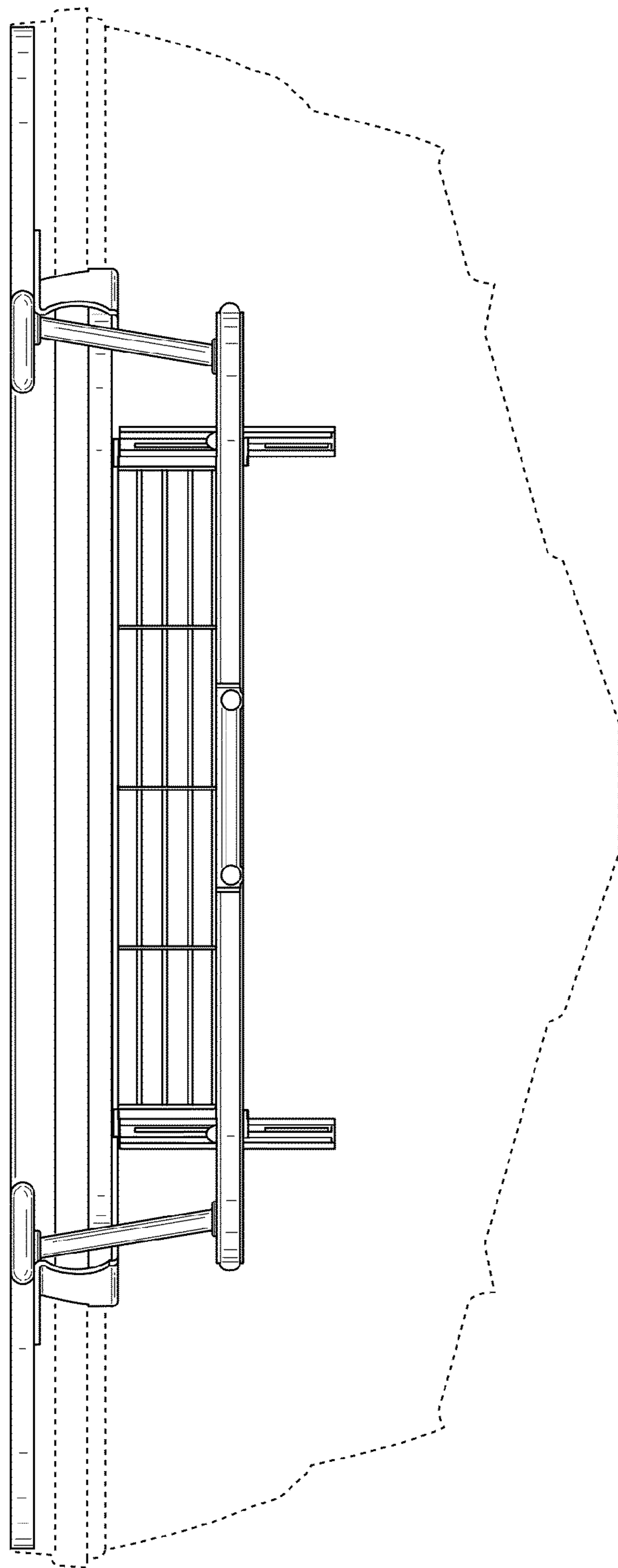


FIG. 9