



US00D710287S

(12) **United States Design Patent**  
**Ishii**

(10) **Patent No.:** **US D710,287 S**

(45) **Date of Patent:** **\*\* Aug. 5, 2014**

(54) **WHEEL FOR AUTOMOBILE**

(71) Applicant: **Honda Motor Co., Ltd.**, Tokyo (JP)

(72) Inventor: **Noriyuki Ishii**, Wako (JP)

(73) Assignee: **Honda Motor Co., Ltd.**, Tokyo (JP)

(\*\*) Term: **14 Years**

(21) Appl. No.: **29/465,852**

(22) Filed: **Sep. 1, 2013**

(30) **Foreign Application Priority Data**

Mar. 8, 2013 (JP) ..... 2013-005241

(51) **LOC (10) Cl.** ..... **12-16**

(52) **U.S. Cl.**  
USPC ..... **D12/209**

(58) **Field of Classification Search**  
USPC ..... D12/204-213; 301/37.101, 64.101, 65,  
301/64.201

See application file for complete search history.

(56) **References Cited**

**U.S. PATENT DOCUMENTS**

D526,947 S *	8/2006	Kim	.....	D12/209
D528,957 S *	9/2006	Kim	.....	D12/209
D583,742 S *	12/2008	Juergens et al.	.....	D12/211
D585,010 S *	1/2009	Pollmann	.....	D12/211
D597,015 S *	7/2009	Juergens et al.	.....	D12/211
D612,787 S *	3/2010	Juergens et al.	.....	D12/209

D619,952 S *	7/2010	Juergens et al.	.....	D12/211
D620,870 S *	8/2010	Powell	.....	D12/211
D622,649 S *	8/2010	Weil	.....	D12/209
D628,136 S *	11/2010	Leclercq	.....	D12/211
D635,499 S *	4/2011	Nissl	.....	D12/211
D656,446 S *	3/2012	Lee	.....	D12/209
D666,953 S *	9/2012	Pollmann	.....	D12/209
D667,769 S *	9/2012	Pollmann	.....	D12/209
D670,636 S *	11/2012	Juergens et al.	.....	D12/211
D671,060 S *	11/2012	Baum	.....	D12/209
D671,480 S *	11/2012	Cepkova	.....	D12/209
D671,481 S *	11/2012	Amezeta	.....	D12/211
D683,297 S *	5/2013	Juergens et al.	.....	D12/211
D688,185 S *	8/2013	Baum	.....	D12/209
D695,198 S *	12/2013	Juergens et al.	.....	D12/211
D695,670 S *	12/2013	De Bono	.....	D12/209
D697,011 S *	1/2014	Kang	.....	D12/209

\* cited by examiner

*Primary Examiner* — Stacia Cadmus

(74) *Attorney, Agent, or Firm* — Plumsea Law Group, LLC

(57) **CLAIM**

The ornamental design for a wheel for automobile, as shown and described.

**DESCRIPTION**

FIG. 1 is a perspective view from the front side of a wheel for automobile; and,

FIG. 2 is a front elevation view thereof.

The portions of the wheel shown in broken lines are for the purpose of showing environmental structure only and form no part of the claimed design.

**1 Claim, 2 Drawing Sheets**

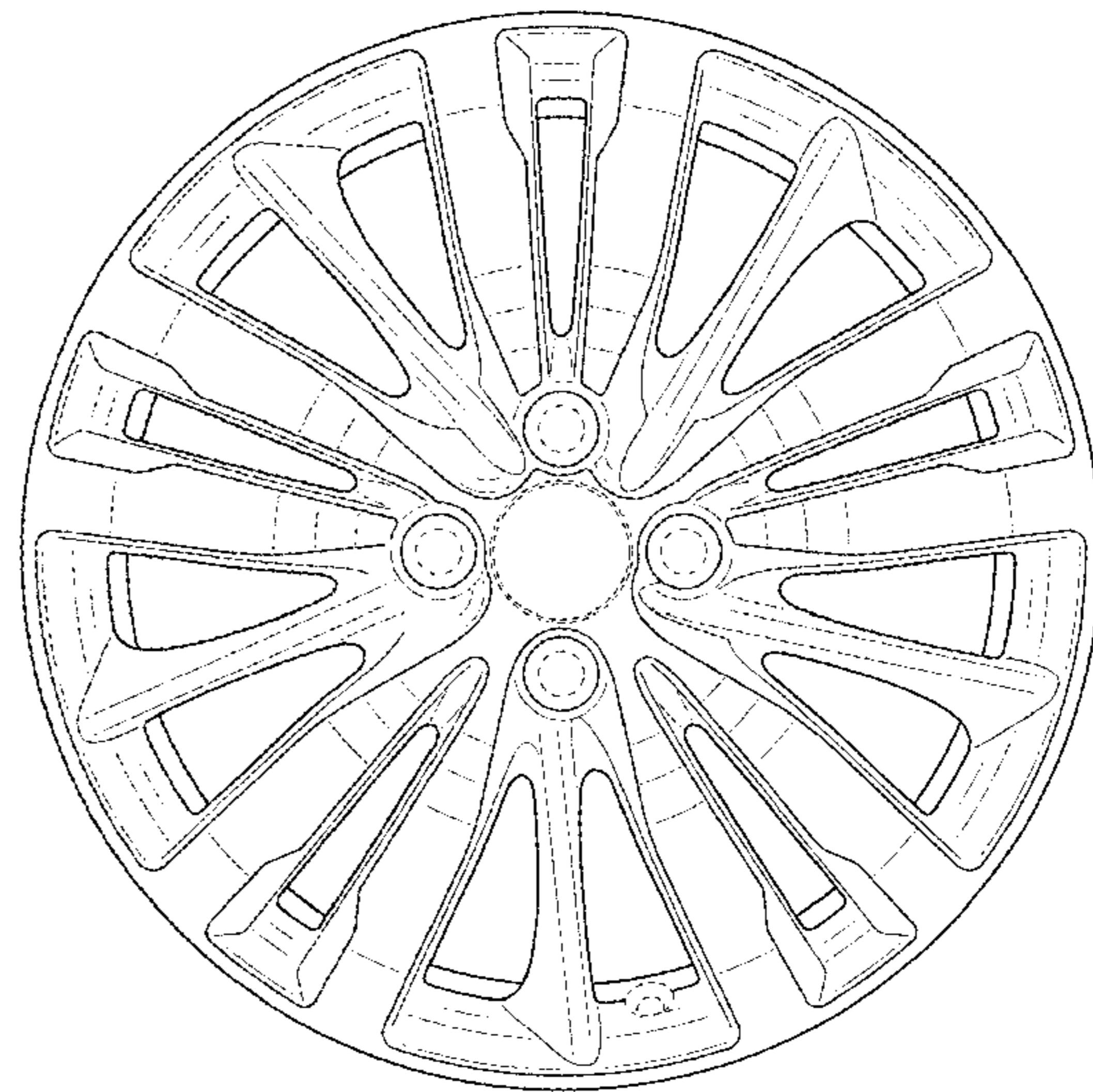
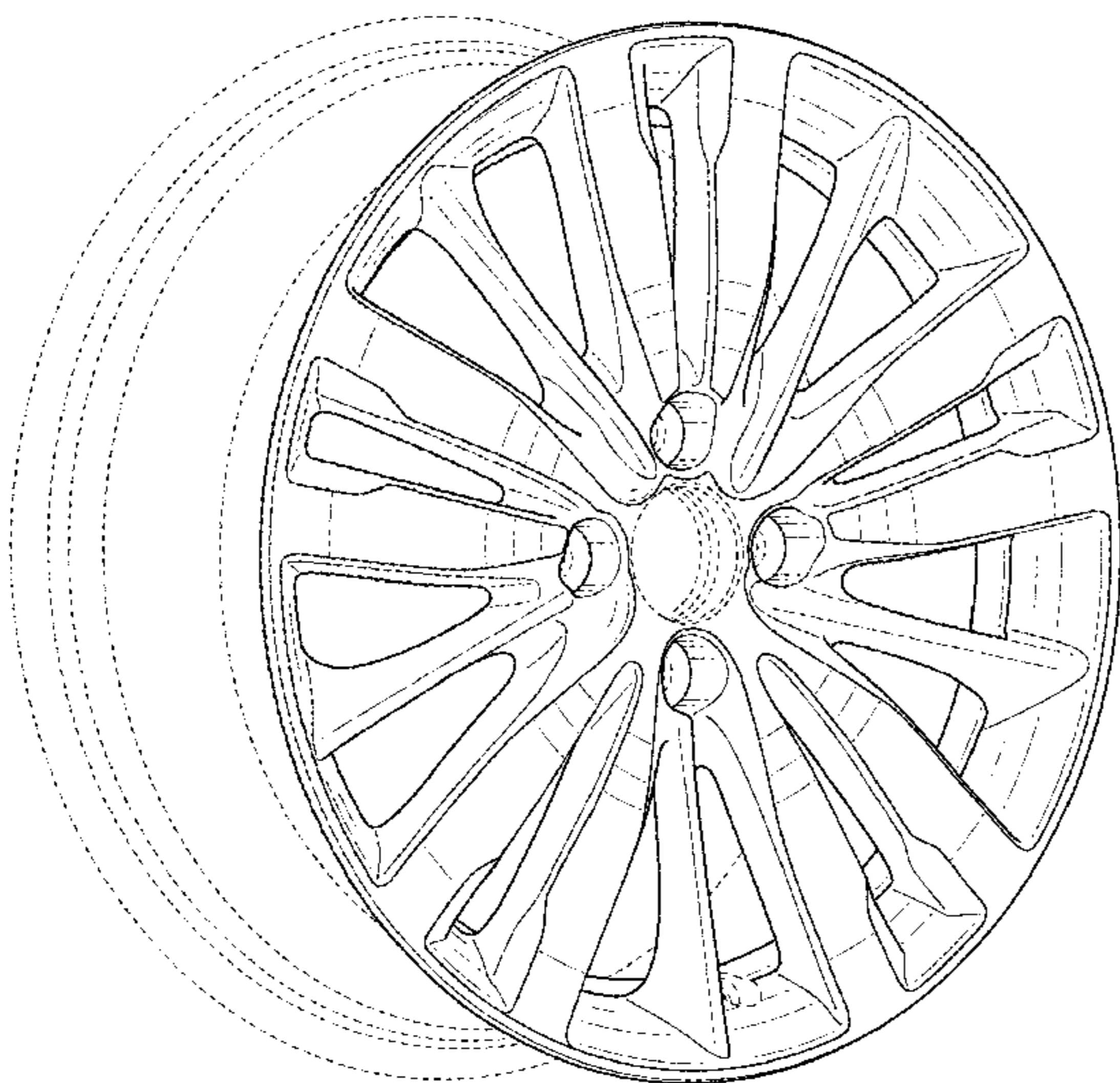


FIG. 1

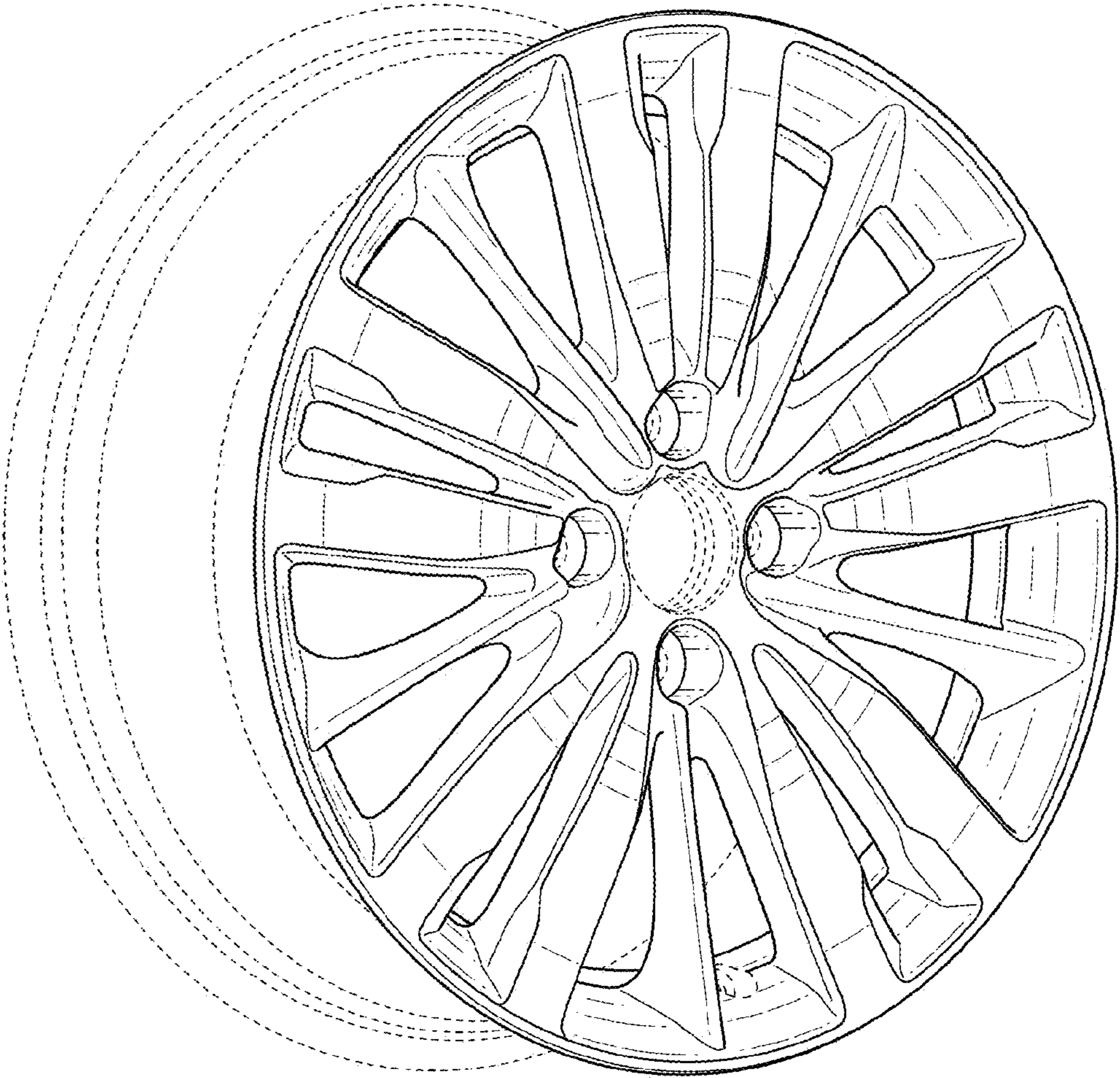


FIG. 2

