



US00D710283S

(12) **United States Design Patent**
O'Donnell et al.

(10) **Patent No.:** **US D710,283 S**

(45) **Date of Patent:** **** Aug. 5, 2014**

(54) **VEHICLE DECKLID**

(71) Applicant: **GM Global Technology Operations LLC, Detroit, MI (US)**

(72) Inventors: **Kevin M. O'Donnell, Beverly Hills, MI (US); Junglim Huh, Rochester Hills, MI (US)**

(73) Assignee: **GM Global Technology Operations LLC, Detroit, MI (US)**

(**) Term: **14 Years**

(21) Appl. No.: **29/451,139**

(22) Filed: **Mar. 28, 2013**

(51) **LOC (10) Cl.** **12-16**

(52) **U.S. Cl.**
USPC **D12/196**

(58) **Field of Classification Search**
CPC .. B62D 33/0273; B62D 33/03; B62D 33/037;
B62D 33/023; B62D 33/033; B62D 33/027;
B62D 25/105; B60P 1/26
USPC D12/196, 98; 296/76, 106, 57.1, 26.11;
D8/346

See application file for complete search history.

(56) **References Cited**

U.S. PATENT DOCUMENTS

D333,083 S * 2/1993 Stenger D8/346
D397,978 S * 9/1998 Helgeson et al. D12/196

D399,468 S * 10/1998 Lund et al. D12/196
D420,317 S * 2/2000 Ney D12/196
D494,521 S * 8/2004 Metros et al. D12/196
D494,910 S * 8/2004 Metros et al. D12/196
D527,697 S * 9/2006 Metros et al. D12/196
D541,719 S * 5/2007 McChesney D12/196
D556,110 S * 11/2007 Schiavone et al. D12/196
D560,584 S * 1/2008 Tant et al. D12/196
D601,925 S * 10/2009 O'Donnell D12/98
D613,225 S * 4/2010 Wu D12/196
D614,556 S * 4/2010 Wu D12/196
D684,515 S * 6/2013 Oliver D12/196
2002/0135202 A1 * 9/2002 Rokahr 296/136

* cited by examiner

Primary Examiner — Eric Goodman

Assistant Examiner — Ryan Harvey

(74) *Attorney, Agent, or Firm* — Parks IP Law LLC; Mickki D. Murray, Esq.

(57) **CLAIM**

The ornamental design for a vehicle decklid, as shown and described.

DESCRIPTION

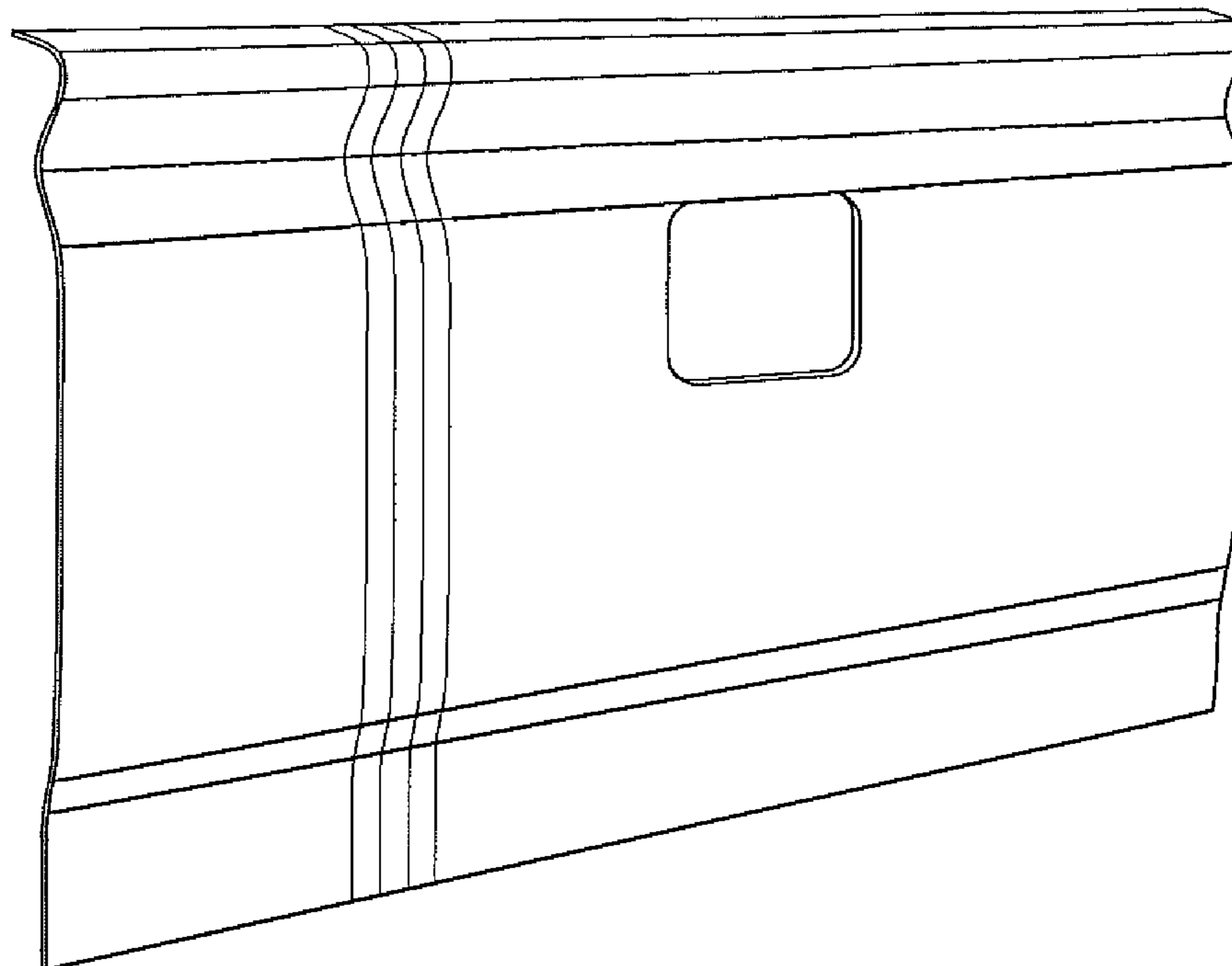
FIG. 1 is front perspective view of a vehicle decklid showing the new design;

FIG. 2 is a side view, thereof;

FIG. 3 is a front view, thereof; and,

FIG. 4 is a top plan view, thereof.

1 Claim, 1 Drawing Sheet



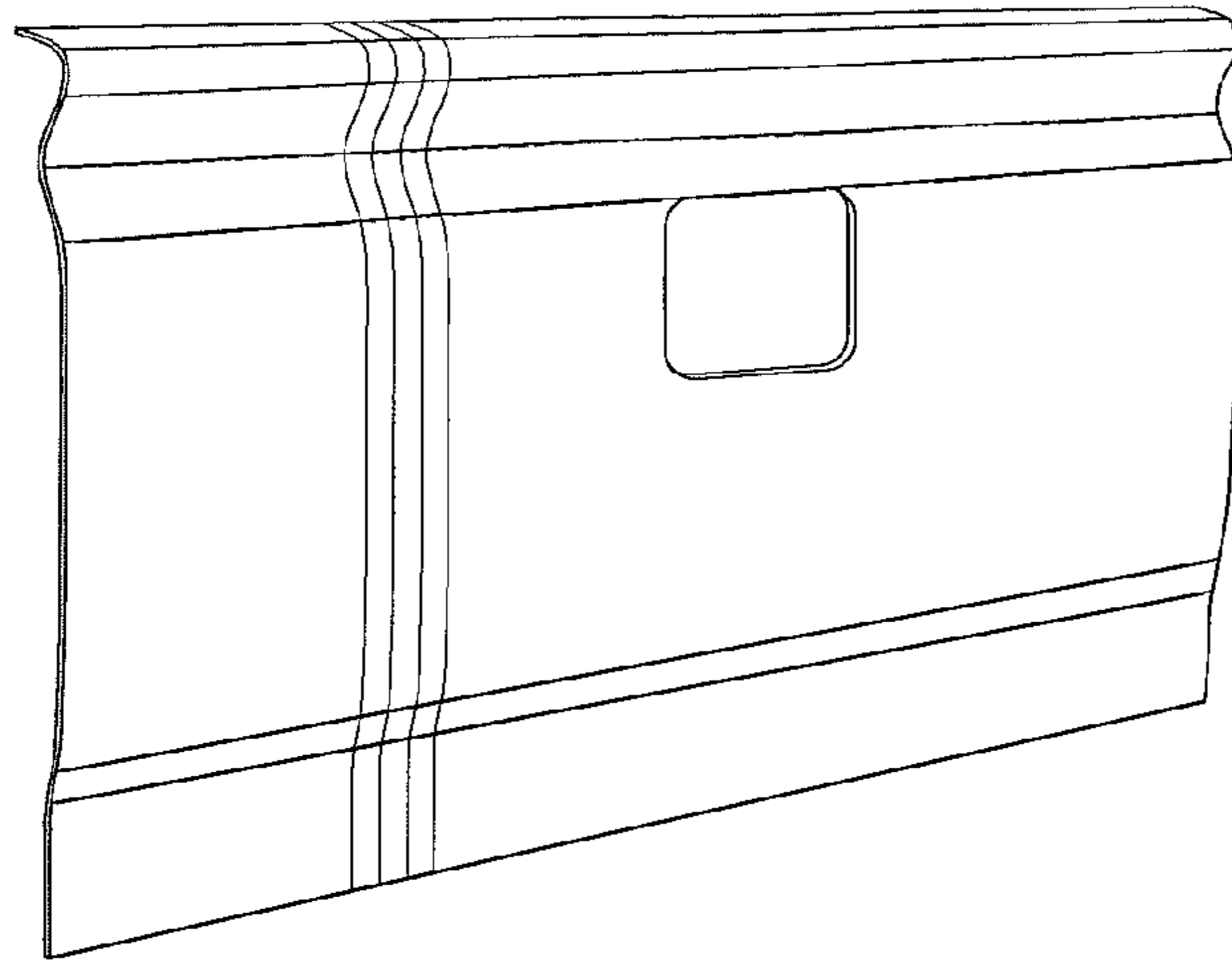


Fig-1



Fig-2

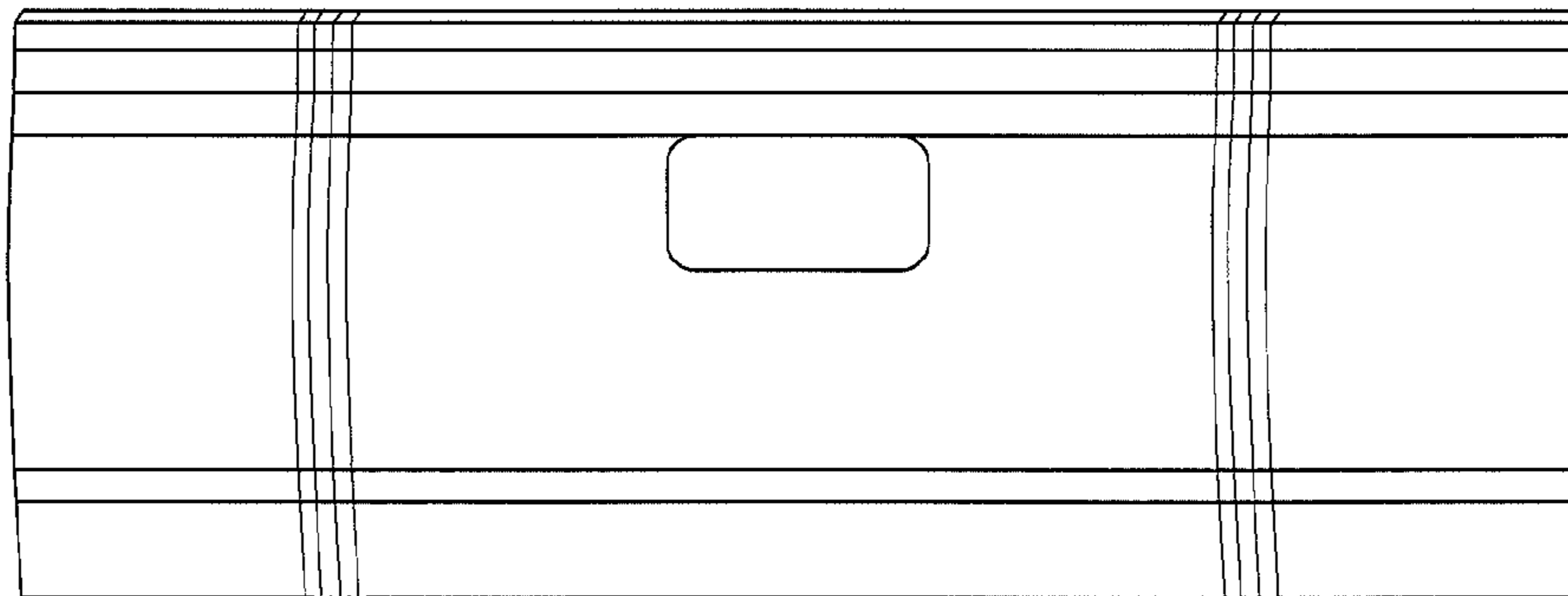


Fig-3

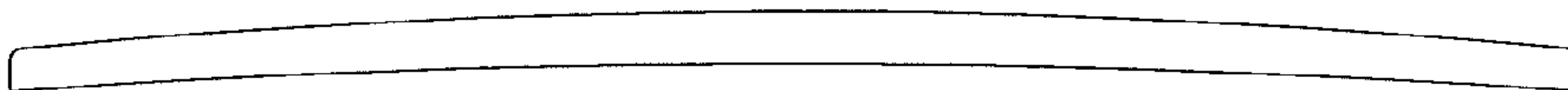


Fig-4