



US00D710280S

(12) **United States Design Patent**
Maeda

(10) **Patent No.:** **US D710,280 S**

(45) **Date of Patent:** **** Aug. 5, 2014**

(54) **MUFFLER PROTECTOR FOR INTERNAL COMBUSTION ENGINES**

(71) Applicant: **Honda Motor Co., Ltd.**, Tokyo (JP)

(72) Inventor: **Joji Maeda**, Wako (JP)

(73) Assignee: **Honda Motor Co., Ltd.**, Tokyo (JP)

(**) Term: **14 Years**

(21) Appl. No.: **29/453,145**

(22) Filed: **Apr. 25, 2013**

(30) **Foreign Application Priority Data**

Oct. 29, 2012 (JP) 2012-026215

(51) **LOC (10) Cl.** **12-16**

(52) **U.S. Cl.**
USPC **D12/194**

(58) **Field of Classification Search**
USPC D12/194; 181/200, 204, 211, 212, 227,
181/228, 230, 240-245, 247-253, 282;
180/219; 123/195 C, 315; 280/304.3;
165/134.1

See application file for complete search history.

(56) **References Cited**

U.S. PATENT DOCUMENTS

D444,478 S 7/2001 Shimizu
D517,672 S * 3/2006 Schmitt et al. D23/365

D527,741 S * 9/2006 Vervoorn D15/5
D529,046 S * 9/2006 Maeda et al. D15/1
D529,924 S * 10/2006 Ryczek et al. D15/5
D543,216 S * 5/2007 Glass D15/5
D581,431 S * 11/2008 Shimomura D15/5
D591,768 S * 5/2009 Grybush et al. D15/5
D679,289 S * 4/2013 Tiefenthaler D15/5

* cited by examiner

Primary Examiner — Michael A Pratt

(74) *Attorney, Agent, or Firm* — Birch, Stewart, Kolasch & Birch, LLP

(57) **CLAIM**

The ornamental design for a muffler protector for internal combustion engines, as shown and described.

DESCRIPTION

FIG. 1 is a front view of a muffler protector for internal combustion engines showing my new design;
FIG. 2 is a rear view thereof;
FIG. 3 is a right side view thereof;
FIG. 4 is a left side view thereof;
FIG. 5 is a plan view thereof;
FIG. 6 is a bottom view thereof;
FIG. 7 is a right upper side front perspective view thereof;
and,
FIG. 8 is a view illustrating the state of use thereof.
The portions shown in broken lines show environment and form no part of the claimed design.

1 Claim, 4 Drawing Sheets

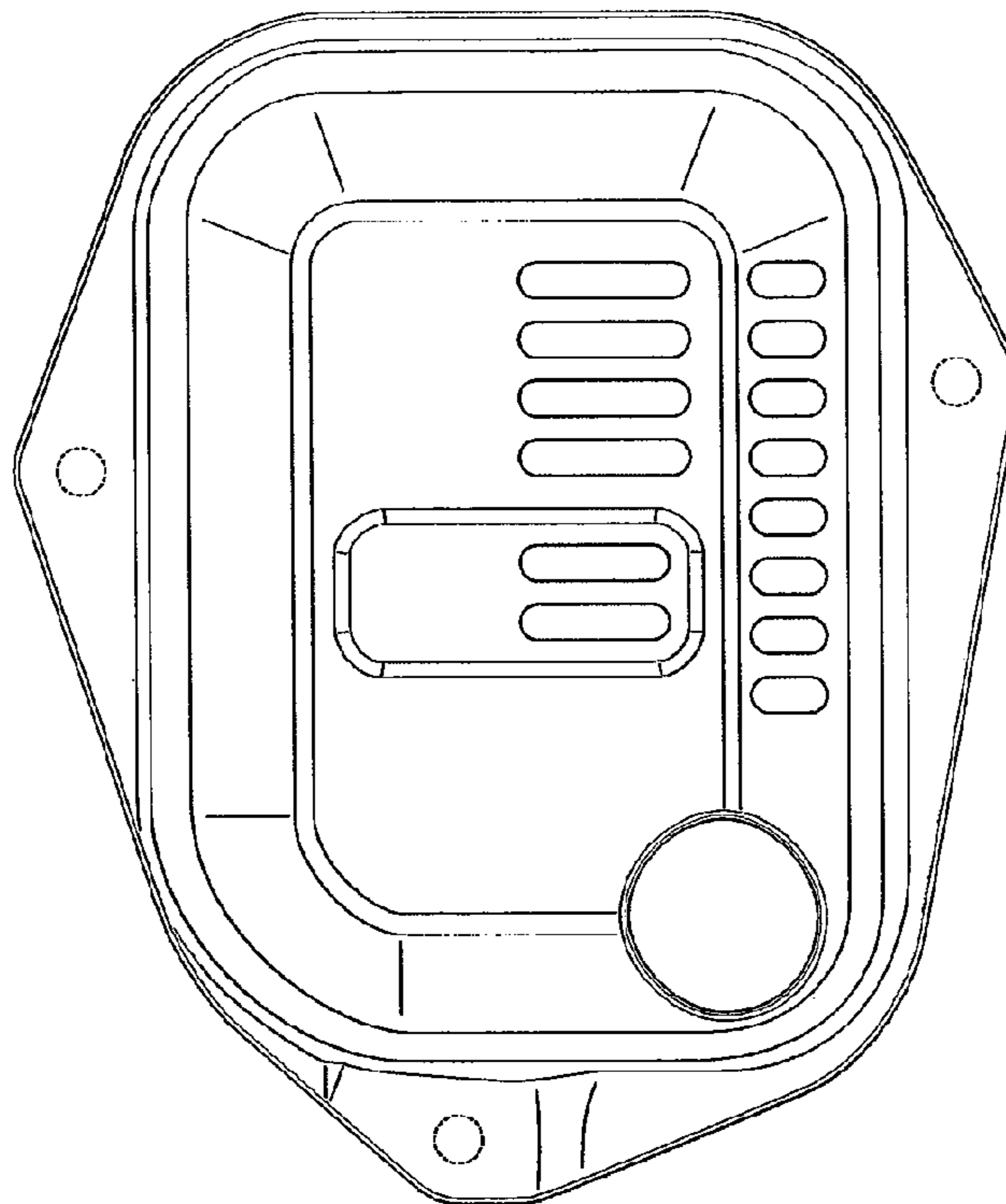


FIG.1

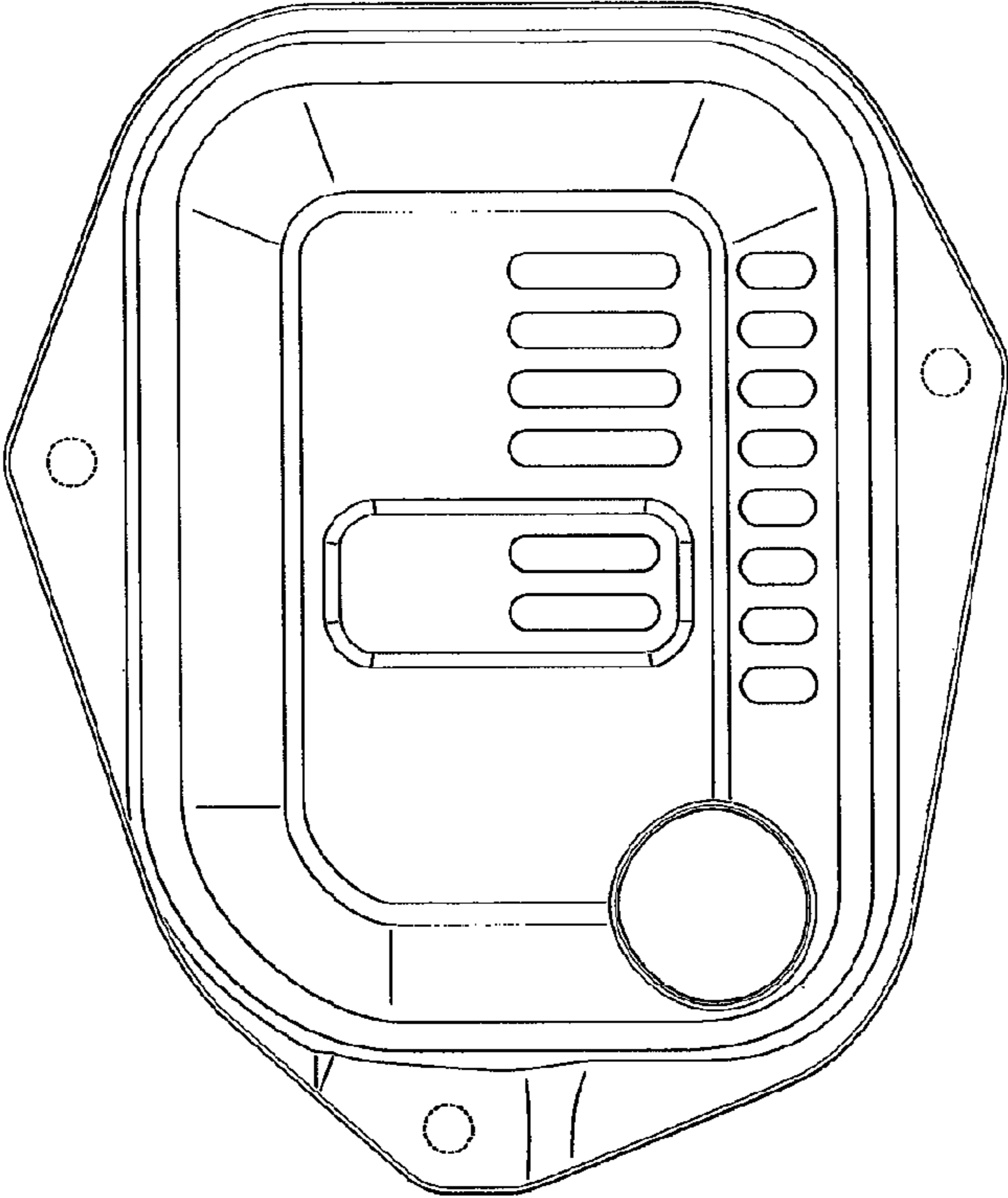


FIG.2

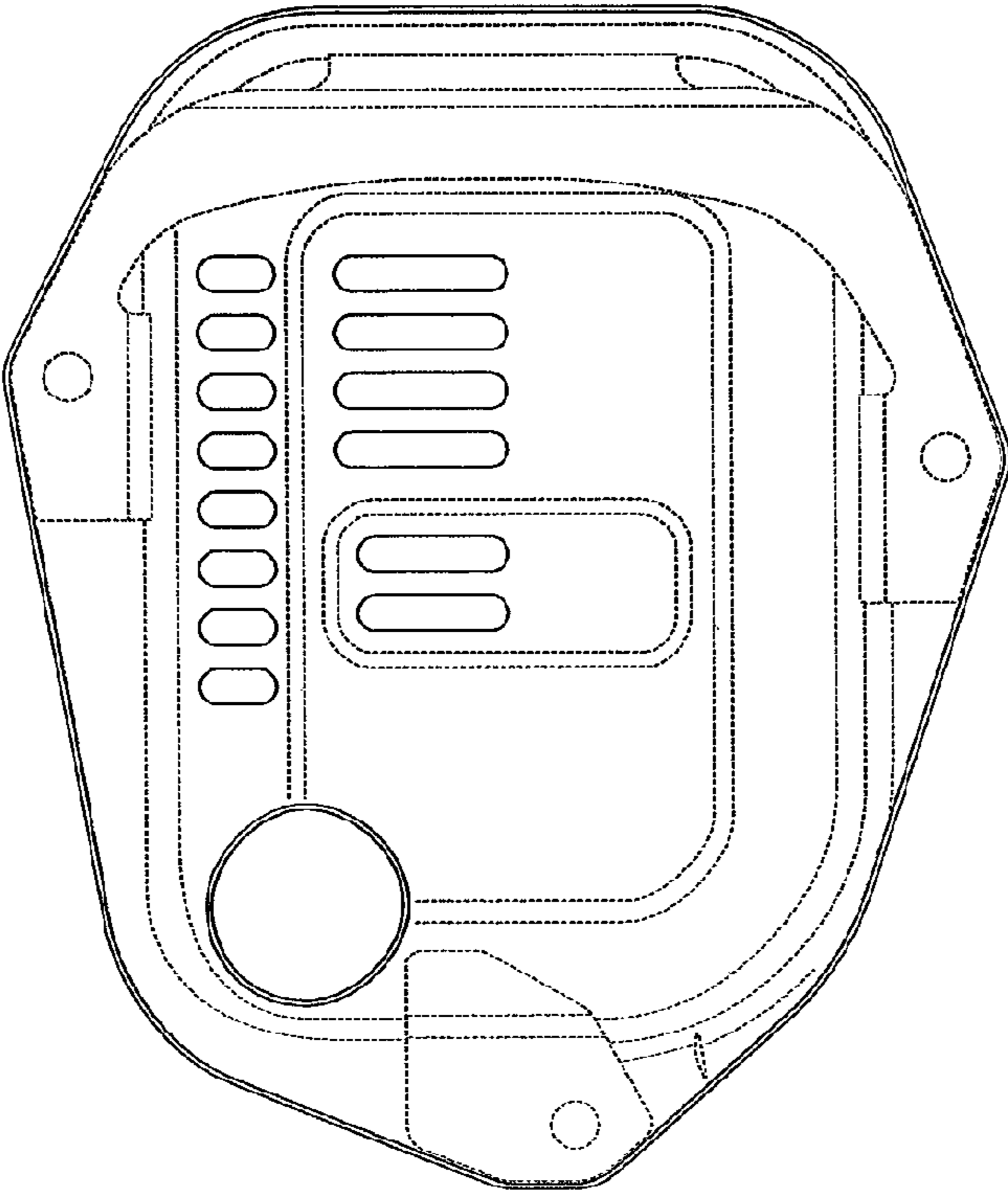


FIG.3

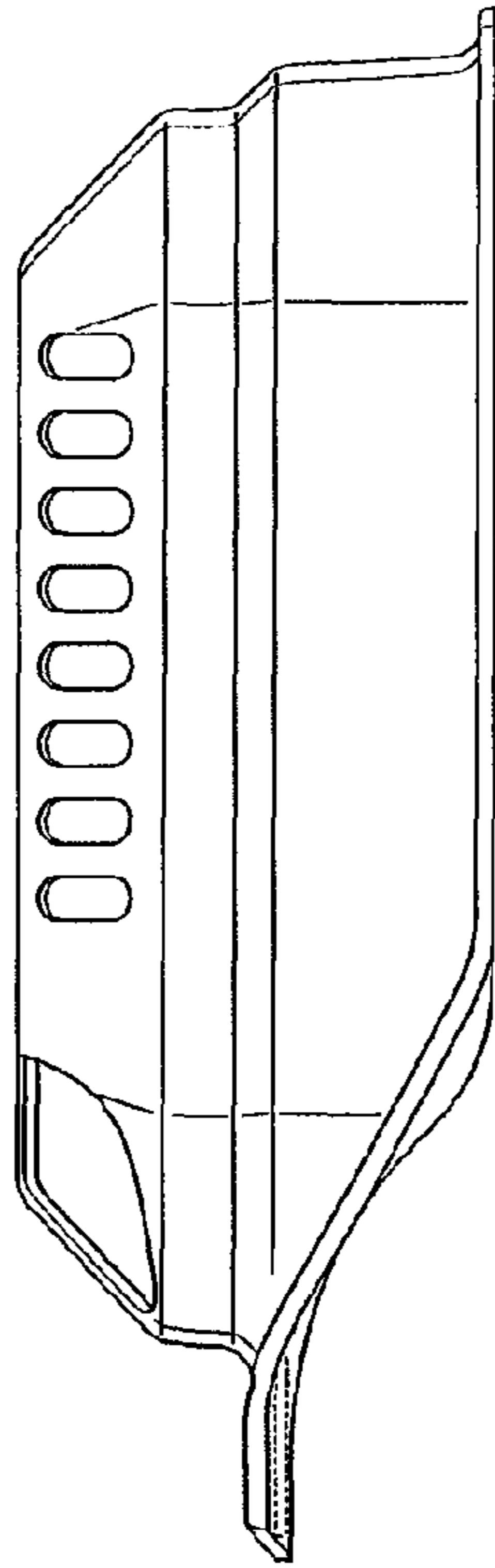


FIG.4

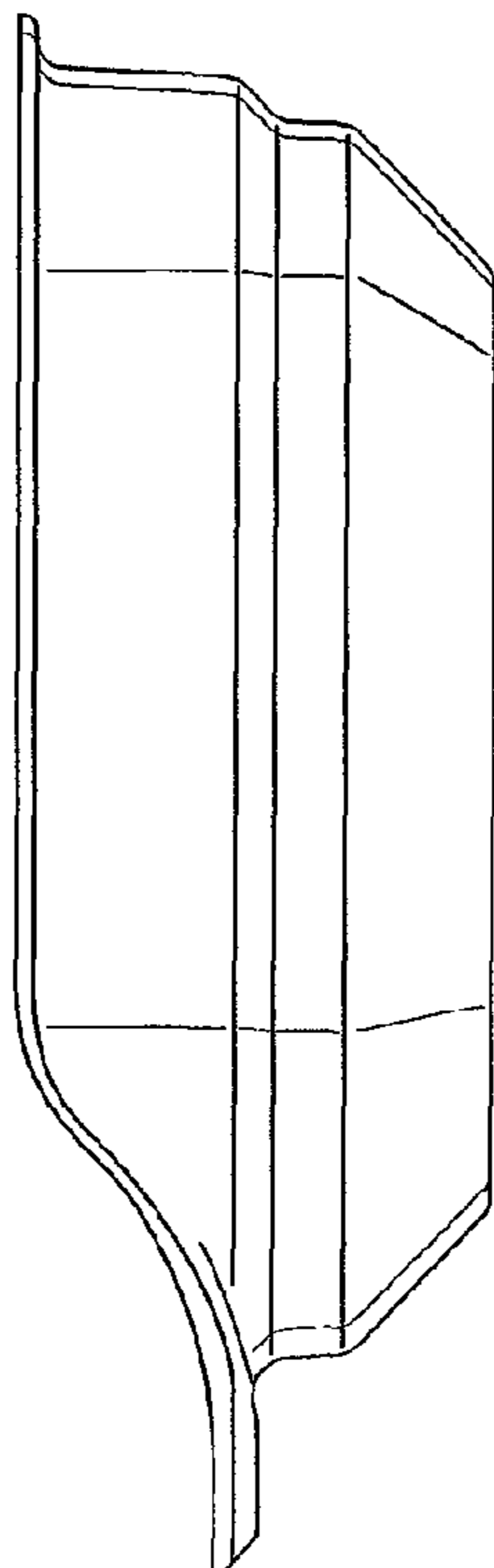


FIG.5

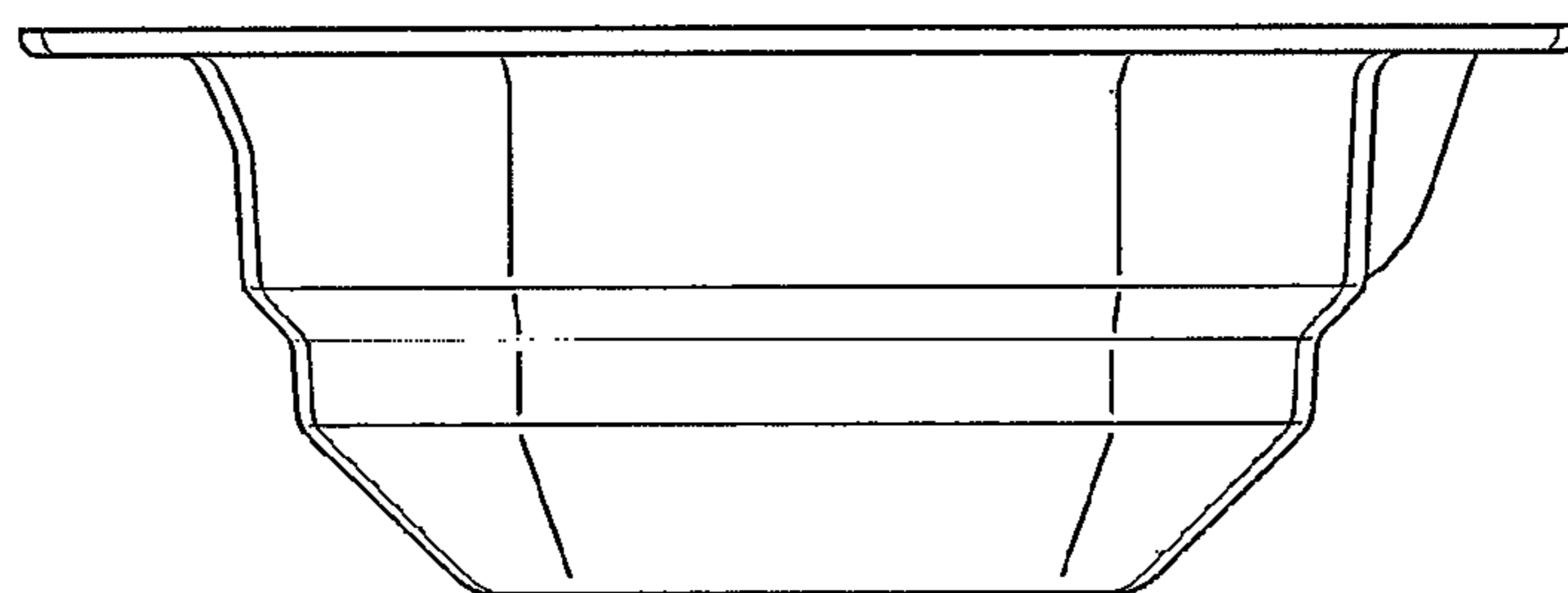


FIG.6

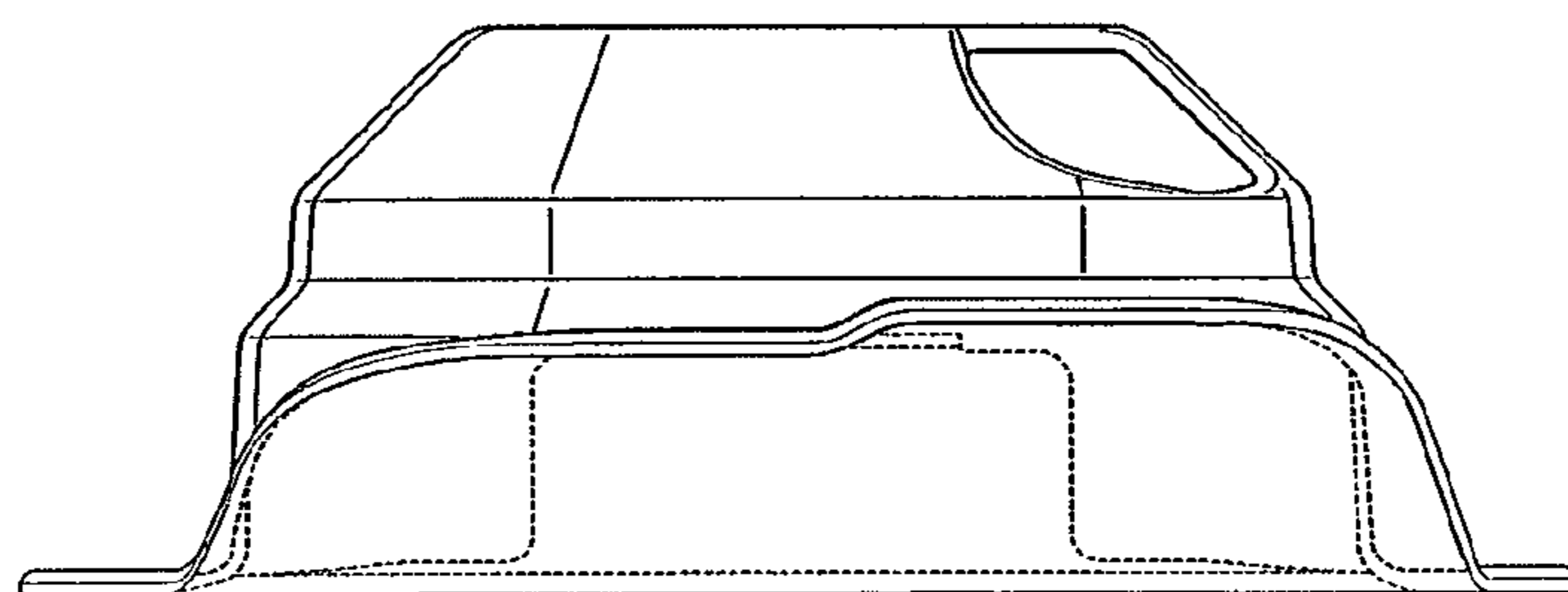


FIG.7

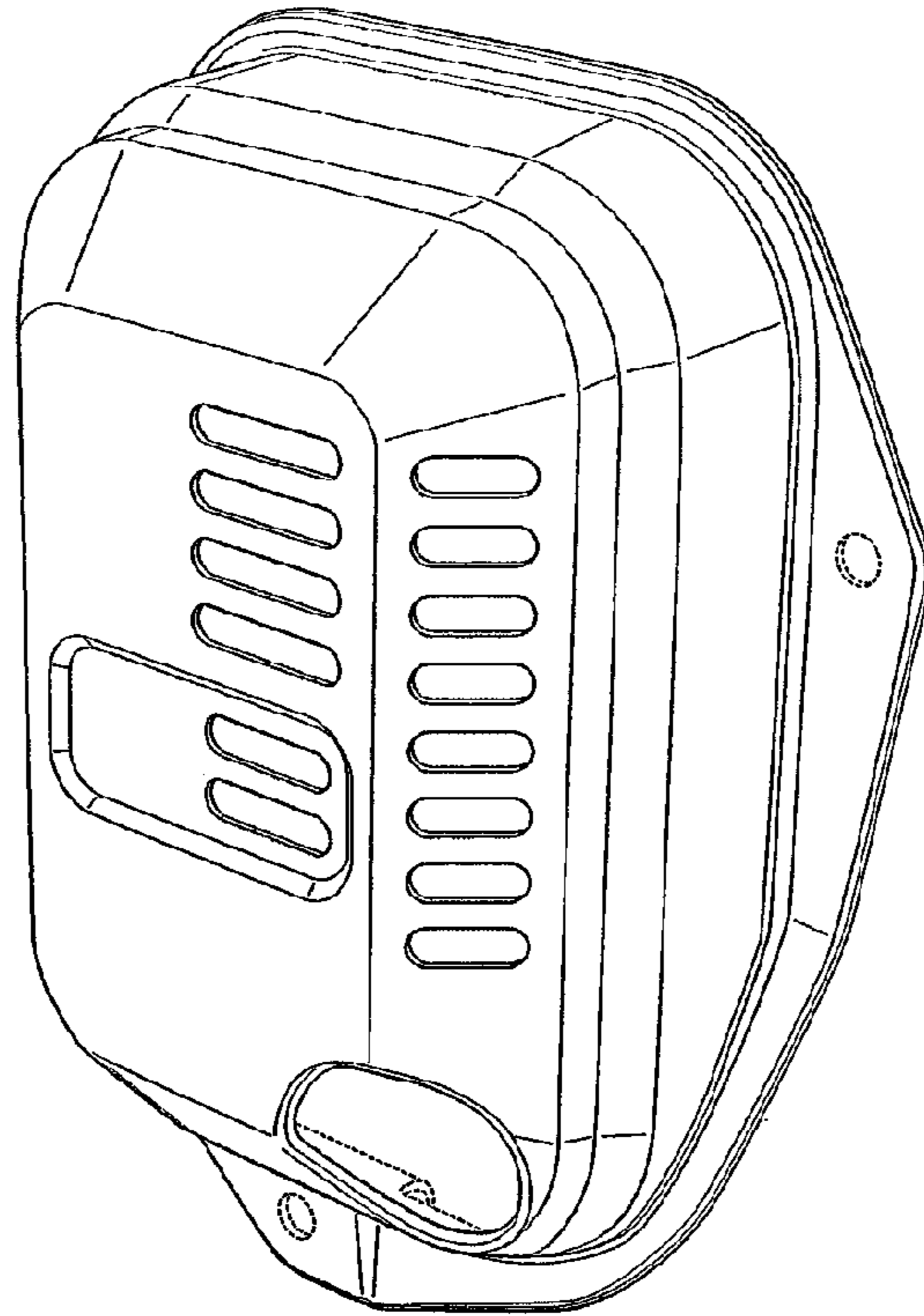


FIG.8

