



US00D710269S

(12) **United States Design Patent**  
**O'Donnell et al.**

(10) **Patent No.:** **US D710,269 S**

(45) **Date of Patent:** **\*\* Aug. 5, 2014**

(54) **VEHICLE HOOD**

(56) **References Cited**

(71) Applicant: **GM Global Technology Operations LLC**, Detroit, MI (US)

U.S. PATENT DOCUMENTS

(72) Inventors: **Kevin M. O'Donnell**, Beverly Hills, MI (US); **Junglim Huh**, Rochester Hills, MI (US)

D540,725 S *	4/2007	Gunter et al. ....	D12/173
D579,832 S *	11/2008	Opfer et al. ....	D12/173
D609,615 S *	2/2010	Kruger et al. ....	D12/173
D610,505 S *	2/2010	Bucher et al. ....	D12/173

(73) Assignee: **GM Global Technology Operations LLC**, Detroit, MI (US)

\* cited by examiner

*Primary Examiner* — Melody Brown

(\*\*) Term: **14 Years**

(74) *Attorney, Agent, or Firm* — Parks IP Law LLC; Mickki D. Murray, Esq.

(21) Appl. No.: **29/451,159**

(57) **CLAIM**

The ornamental design for a vehicle hood, as shown and described.

(22) Filed: **Mar. 28, 2013**

**DESCRIPTION**

(51) **LOC (10) Cl.** ..... **12-16**

FIG. 1 is perspective view of a vehicle hood showing the new design;

(52) **U.S. Cl.**

USPC ..... **D12/173**

FIG. 2 is a top plan view, thereof;

(58) **Field of Classification Search**

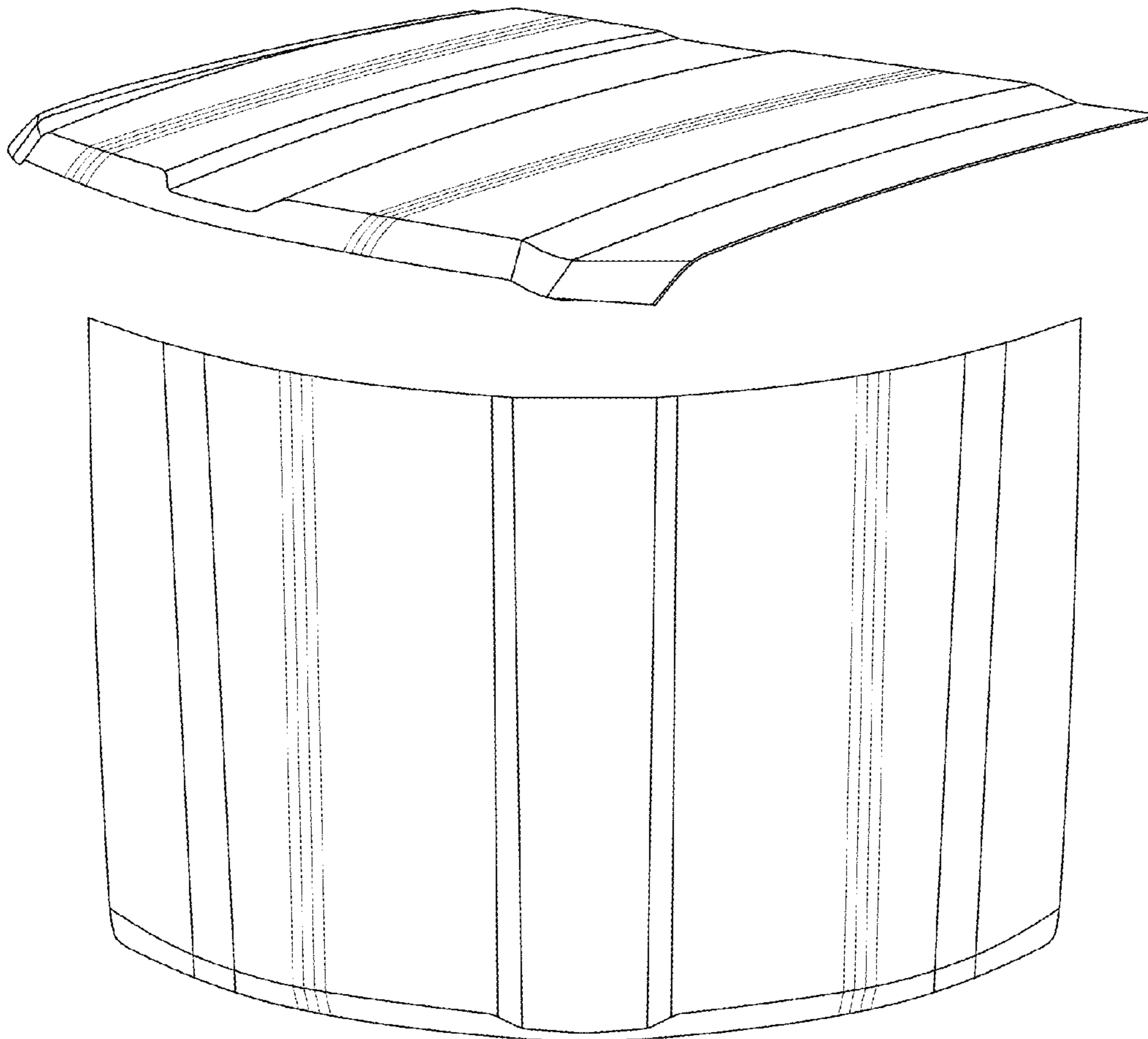
USPC ..... D12/173, 196, 86, 90-92, 181;  
180/69.21, 69.2, 69.22

FIG. 3 is a side view, thereof; and,

FIG. 4 is a front view, thereof.

See application file for complete search history.

**1 Claim, 1 Drawing Sheet**



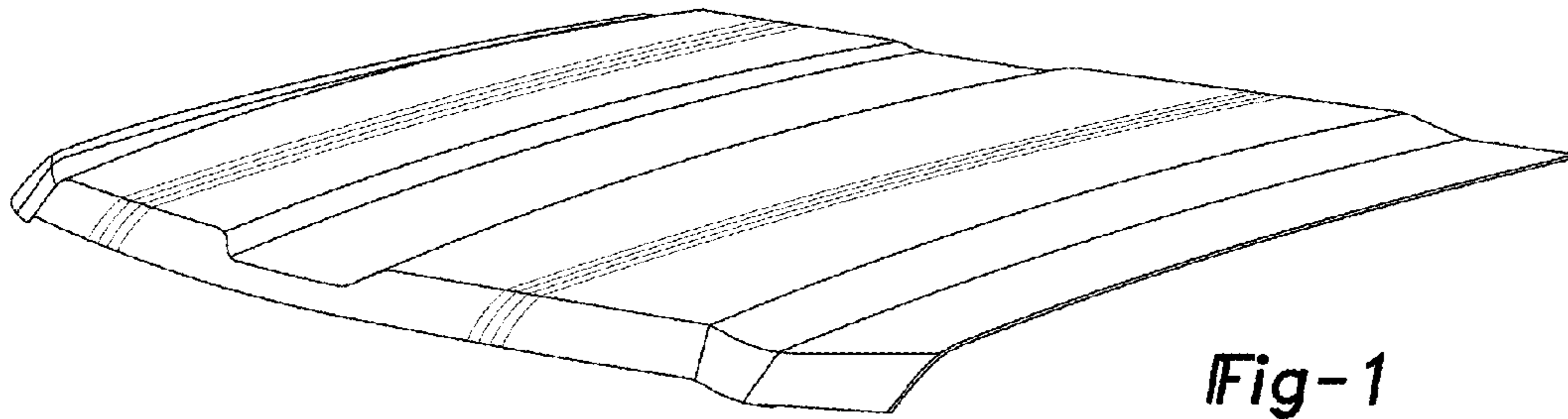


Fig-1

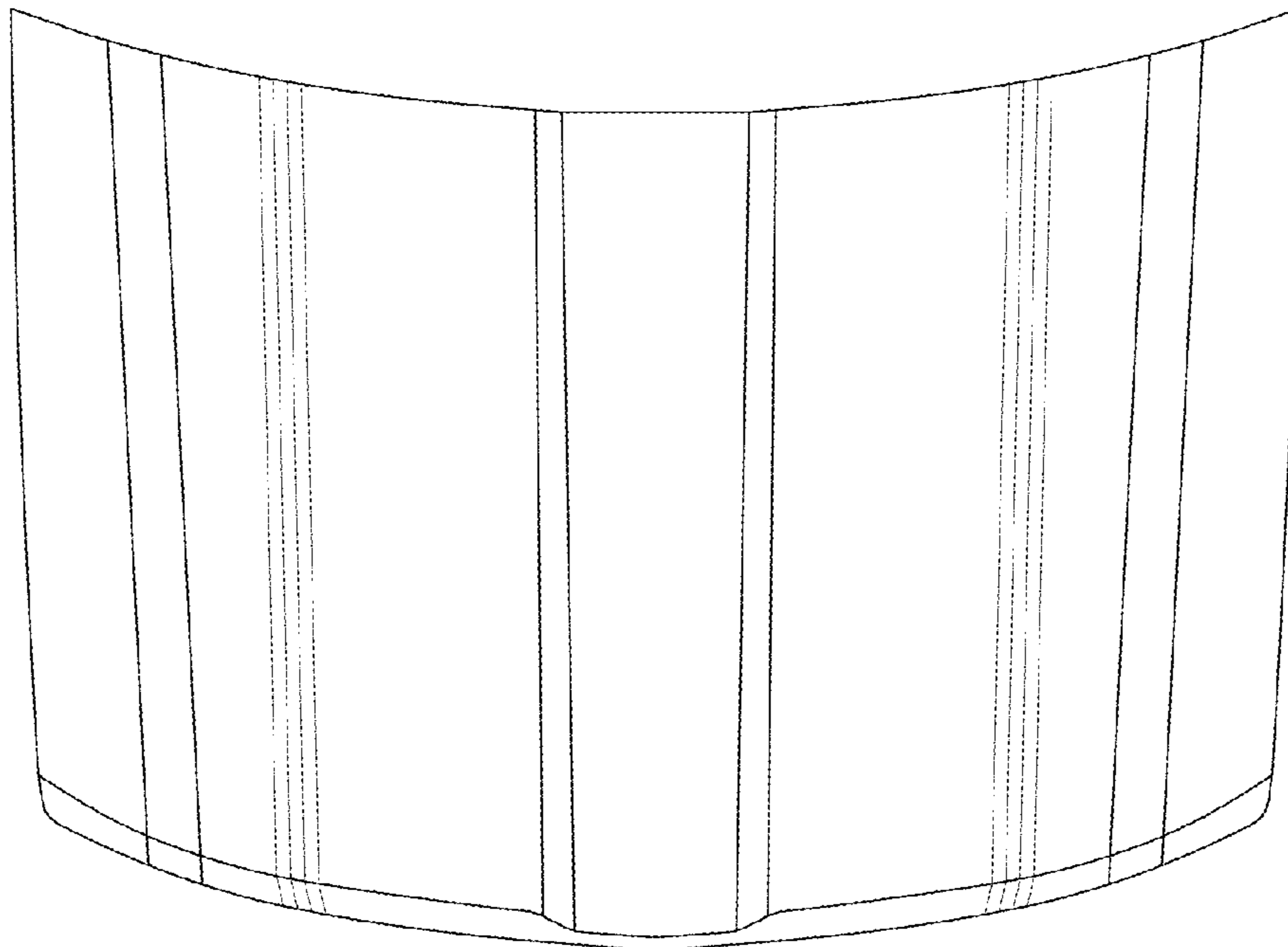


Fig-2

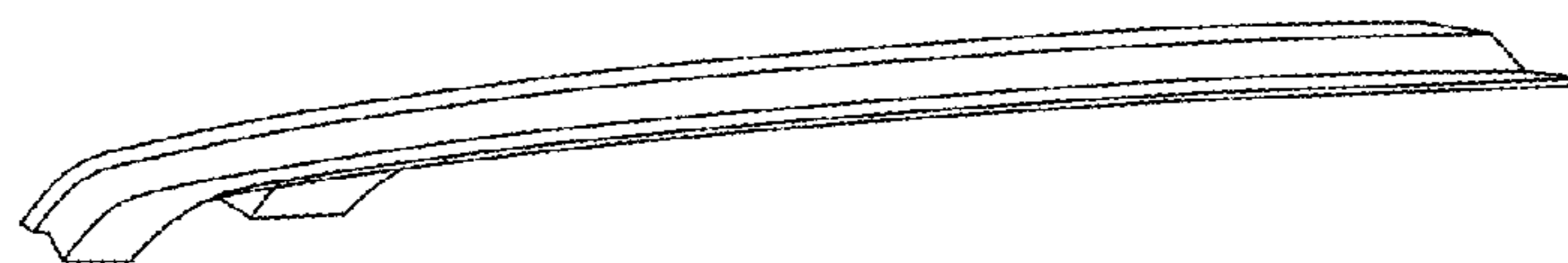


Fig-3

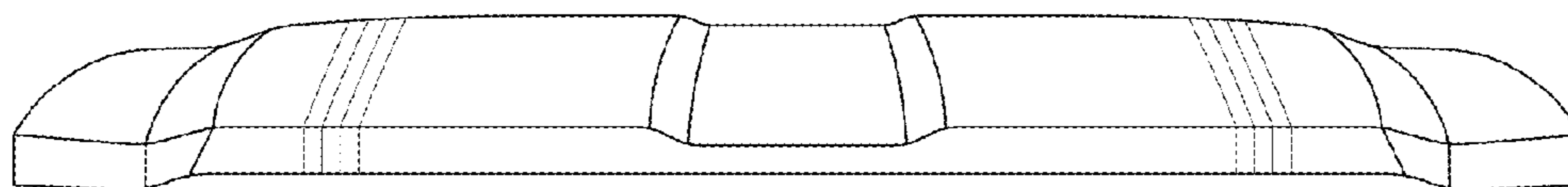


Fig-4