



US00D710264S

(12) **United States Design Patent**
Watkins et al.

(10) **Patent No.:** **US D710,264 S**

(45) **Date of Patent:** **** Aug. 5, 2014**

(54) **VEHICLE FRONT BUMPER TRIM**

D660,754 S * 5/2012 Nakamuta et al. D12/190
D664,903 S * 8/2012 Platto et al. D12/169
D678,142 S * 3/2013 Behmer et al. D12/169

(71) Applicant: **Land Rover**, Warwickshire (GB)

FOREIGN PATENT DOCUMENTS

(72) Inventors: **James Watkins**, Warwickshire (GB);
Sean Henstridge, Warwickshire (GB)

JP 2000128027 A * 5/2000

(73) Assignee: **Land Rover** (GB)

* cited by examiner

(**) Term: **14 Years**

Primary Examiner — Philip S Hyder

Assistant Examiner — Darlington Ly

(21) Appl. No.: **29/435,128**

(74) *Attorney, Agent, or Firm* — Rader, Fishman & Grauer PLLC

(22) Filed: **Oct. 19, 2012**

(57) **CLAIM**

(30) **Foreign Application Priority Data**

The ornamental design for a vehicle front bumper trim, as shown and described.

Apr. 19, 2012 (EM) 002029447

Aug. 13, 2012 (EM) 002087189

Aug. 14, 2012 (EM) 002087387

DESCRIPTION

(51) **LOC (10) Cl.** **12-16**

(52) **U.S. Cl.**

USPC **D12/169**; D12/190; D12/196

(58) **Field of Classification Search**

USPC D12/86, 90, 91, 92, 169, 181, 191, 196,
D12/400; D11/81, 133, 157, 172, 211;
D20/11, 23, 24, 25; 293/102, 113, 115,
293/117, 120; 296/96, 180.1–180.5;
280/727, 770, 848; 180/903

See application file for complete search history.

FIG. 1 is a front perspective view of the vehicle front bumper trim;

FIG. 2 is a rear perspective view thereof;

FIG. 3 is a front elevation view thereof;

FIG. 4 is a rear elevation view thereof;

FIG. 5 is an enlarged left side elevation view thereof;

FIG. 6 is an enlarged right side elevation view thereof; and

FIG. 7 is a top plan view thereof.

FIG. 8 is a front perspective view of the vehicle front bumper trim incorporated into an unclaimed front bumper environment;

FIG. 9 is a rear perspective view thereof;

FIG. 10 is a front elevation view thereof;

FIG. 11 is a rear elevation view thereof;

FIG. 12 is a left side elevation view thereof;

FIG. 13 is a right side elevation view thereof; and,

FIG. 14 is a front perspective view of the vehicle front bumper trim incorporated into an entire motor vehicle environment, wherein the motor vehicle environment being shown is unclaimed.

The de-emphasized and halftone portions shown in the drawings illustrate environmental structure for the vehicle front bumper trim that forms no part of the claimed design.

(56) **References Cited**

U.S. PATENT DOCUMENTS

4,466,646 A * 8/1984 Delmastro et al. 293/117
D291,680 S * 9/1987 Everts D12/190
6,511,109 B1 * 1/2003 Schultz et al. 293/120
D542,196 S * 5/2007 Levy D12/169
D567,157 S * 4/2008 Hutchins D12/169
D601,063 S * 9/2009 Lamm D12/169
D607,790 S * 1/2010 Golden et al. D12/169
D614,099 S * 4/2010 Ectors et al. D12/181
D617,695 S * 6/2010 Lamm et al. D12/169
D624,471 S * 9/2010 Green D12/169

1 Claim, 9 Drawing Sheets





FIG. 1

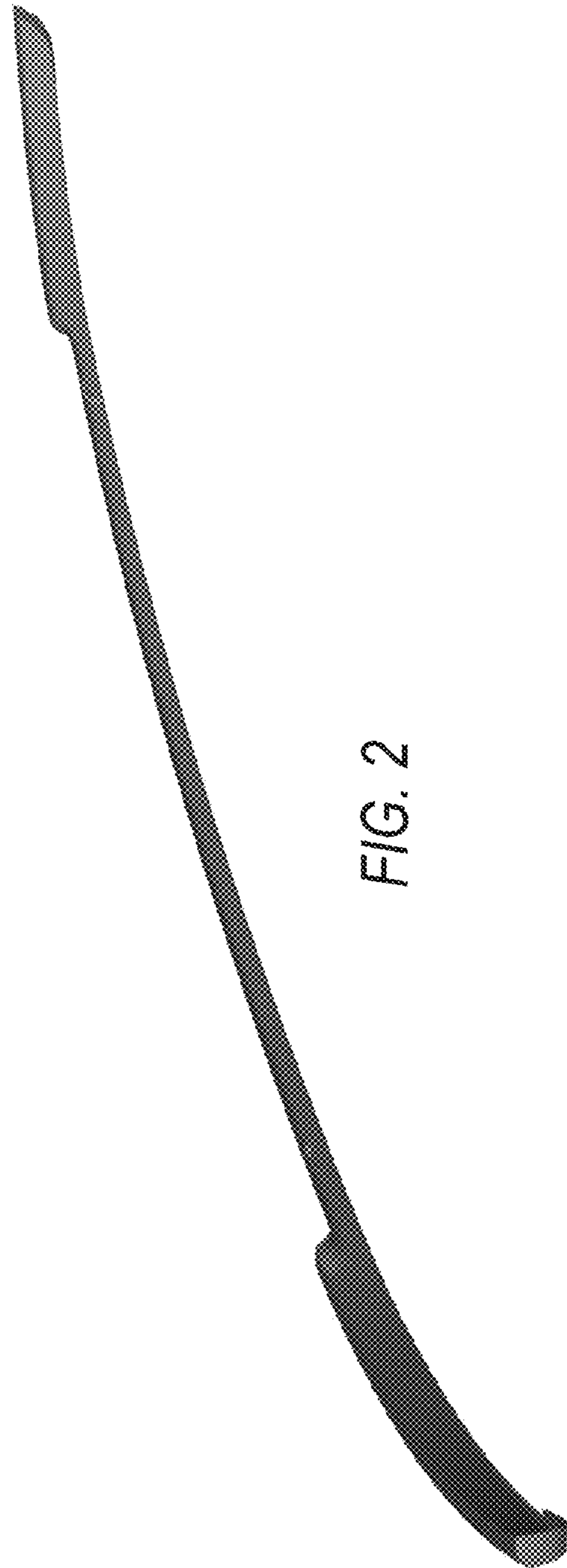


FIG. 2



FIG. 3



FIG. 4

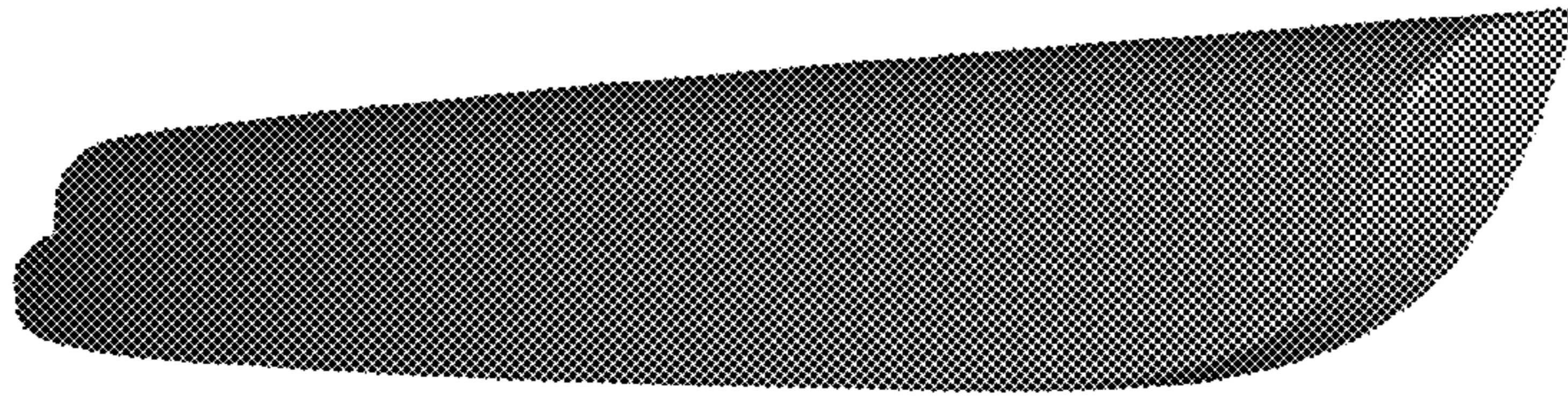


FIG. 5

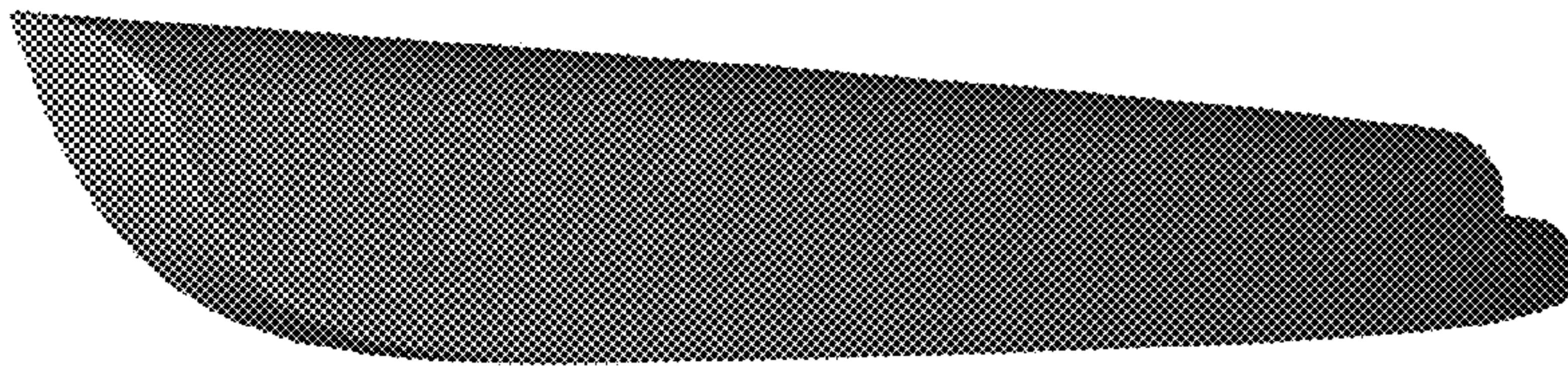


FIG. 6

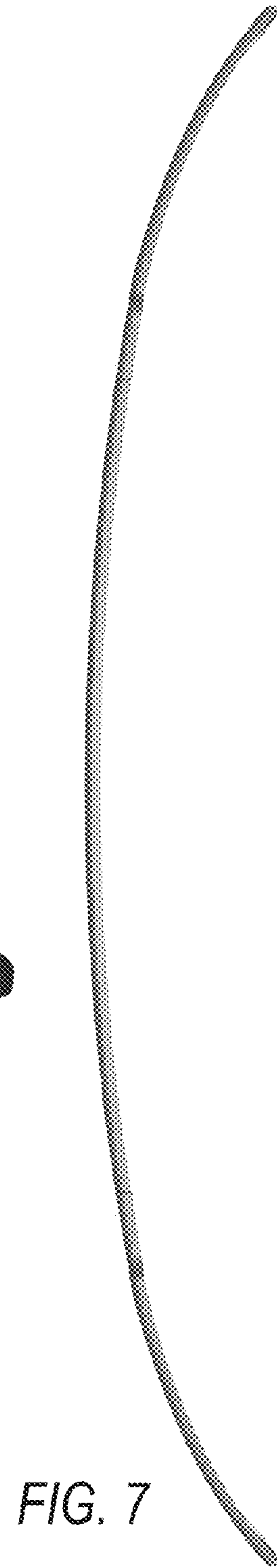


FIG. 7

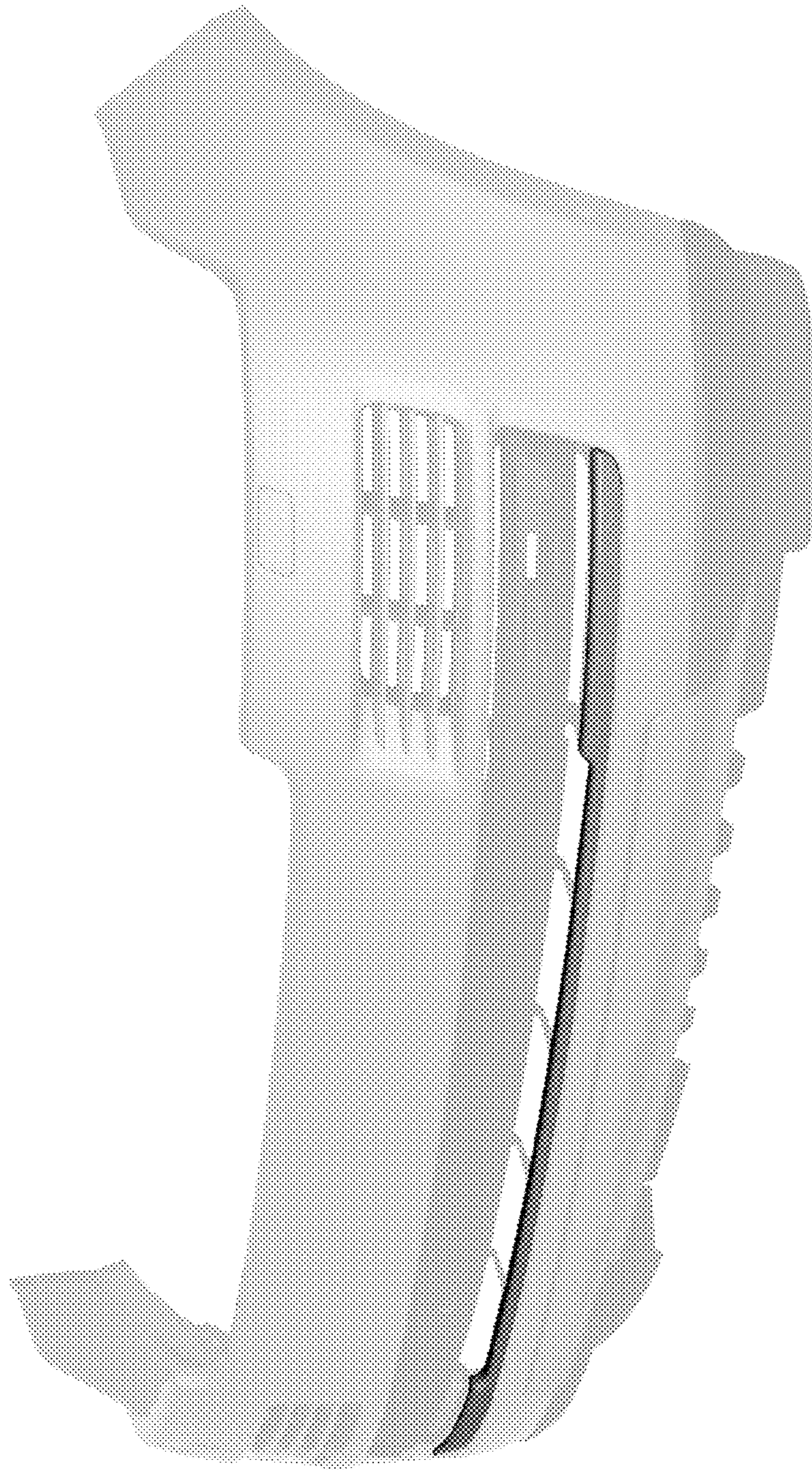


FIG. 8

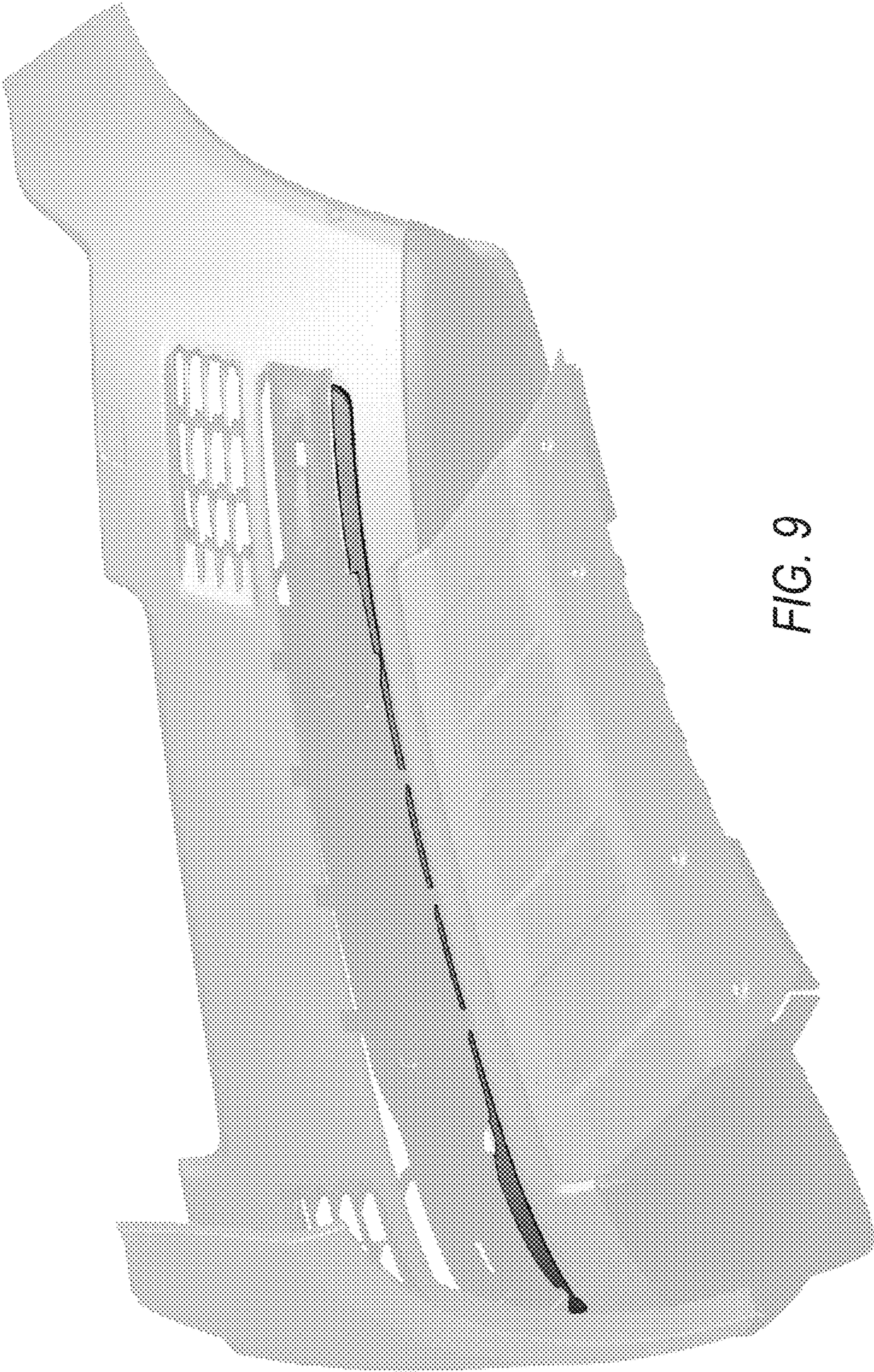


FIG. 9

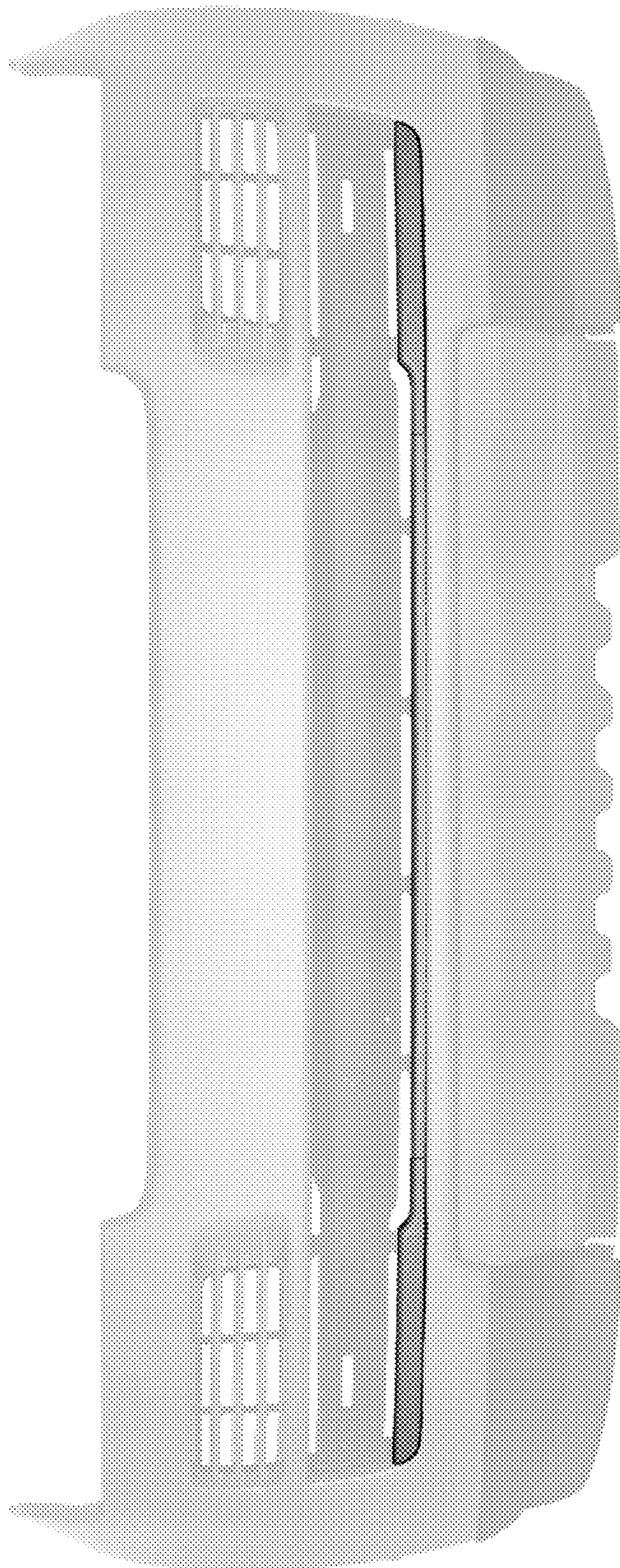


FIG. 10

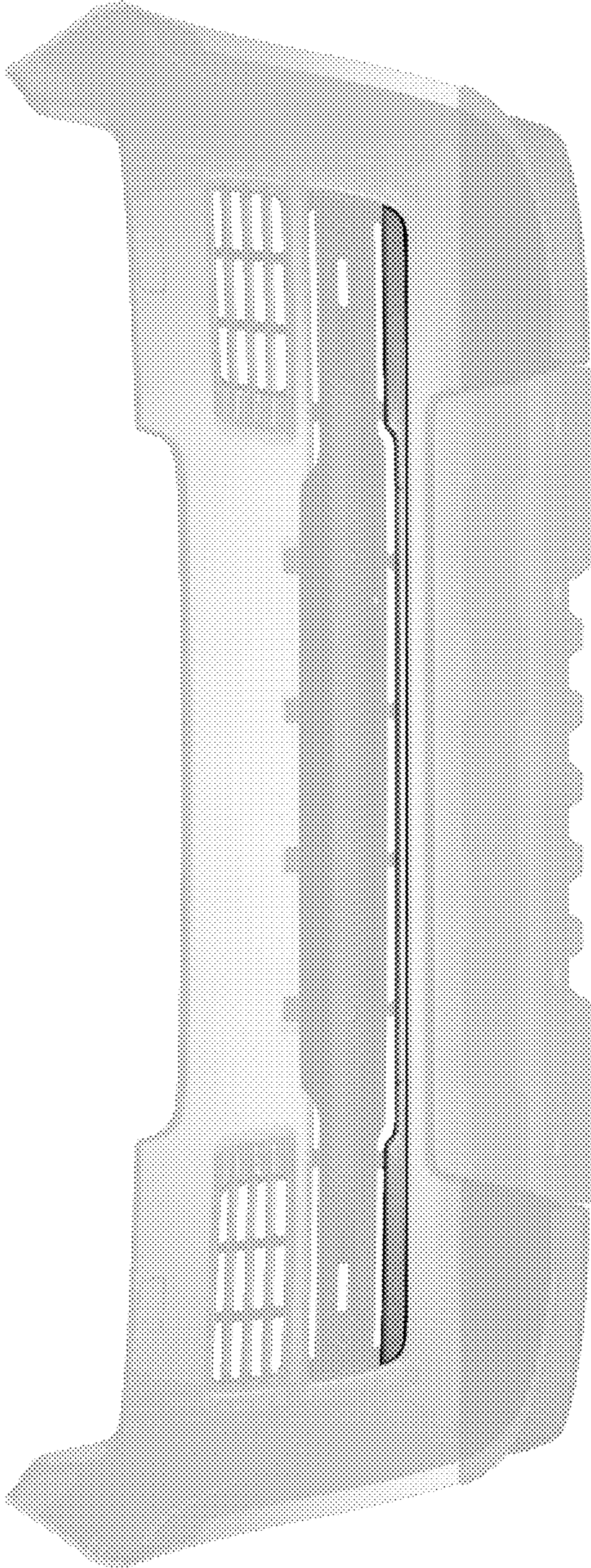


FIG. 11

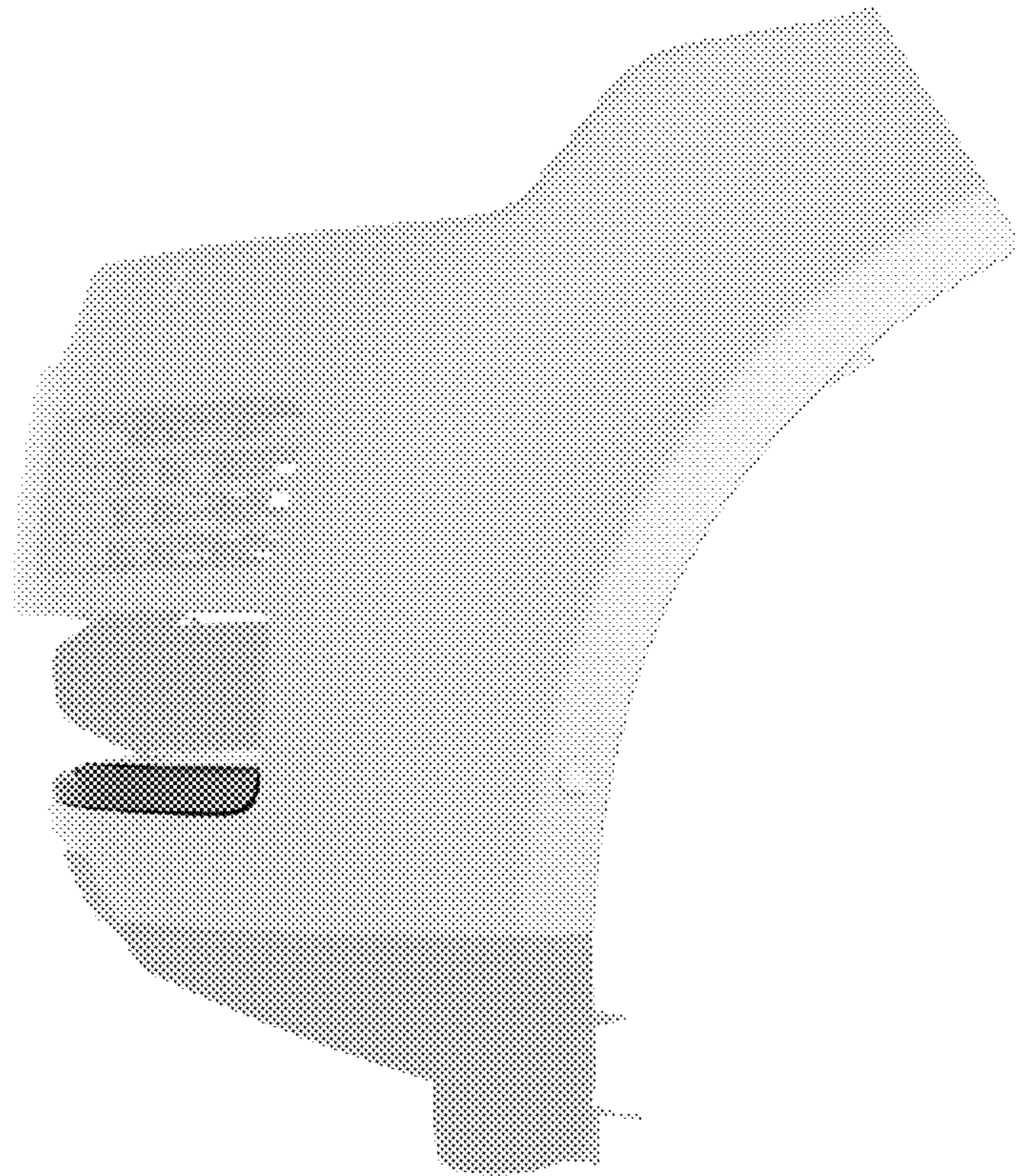


FIG. 12



FIG. 13

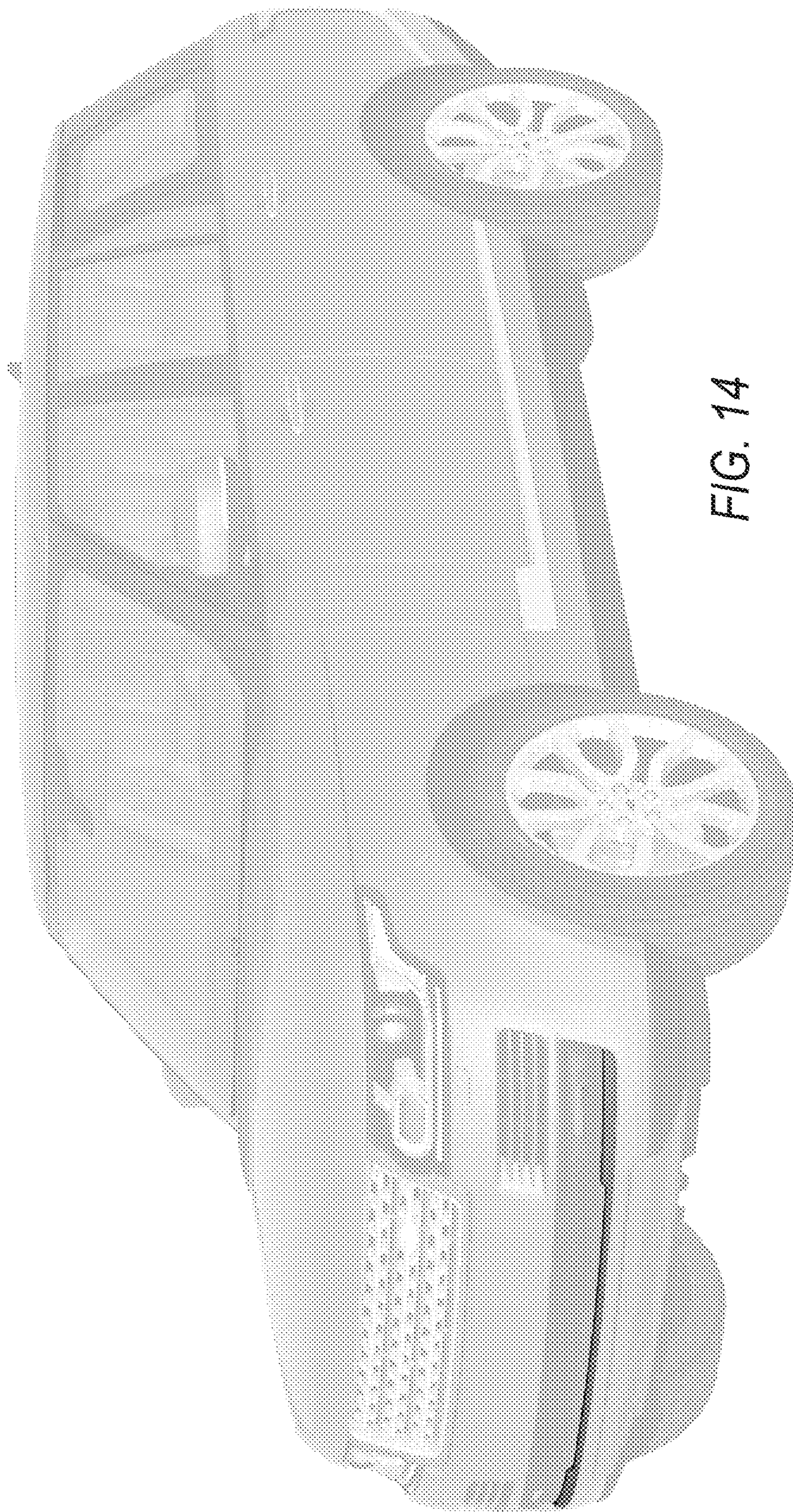


FIG. 14