



US00D710263S

(12) **United States Design Patent**
Rabska

(10) **Patent No.:** **US D710,263 S**

(45) **Date of Patent:** **** Aug. 5, 2014**

(54) **LUNETTE RING**

(75) Inventor: **Kevin Rabska**, Junction City, WI (US)

(73) Assignee: **Cequent Performance Products, Inc.**,
Plymouth, MI (US)

(**) Term: **14 Years**

(21) Appl. No.: **29/416,116**

(22) Filed: **Mar. 19, 2012**

(51) **LOC (10) Cl.** **12-16**

(52) **U.S. Cl.**
USPC **D12/162**

(58) **Field of Classification Search**
USPC D12/162, 159, 160, 161; 56/DIG. 14;
37/399; 280/406.2, 407, 407.1, 408,
280/411.1, 416.1, 416.2, 416.3, 418, 418.1,
280/433, 434, 435, 441.1, 441.2, 455.1,
280/456.1, 480, 493, 504, 507, 508;
224/42.11, 42.12, 42.14, 42.26, 400,
224/401, 412, 413, 488, 494, 500-501, 519,
224/537; 135/88.05; 150/166

See application file for complete search history.

(56) **References Cited**

U.S. PATENT DOCUMENTS

1,408,501	A *	3/1922	Clement	280/504
1,635,659	A *	7/1927	Clement	280/510
1,739,986	A *	12/1929	Reid	280/504
2,340,786	A *	2/1944	Winn	280/478.1
2,429,761	A *	10/1947	Ketel	280/506
2,609,213	A *	9/1952	Buckendale et al.	280/509
7,959,179	B1 *	6/2011	Merchant	280/493
D658,970	S *	5/2012	Wyers	D8/343

* cited by examiner

Primary Examiner — Katrina A Betton

(74) *Attorney, Agent, or Firm* — McDonald Hopkins LLC

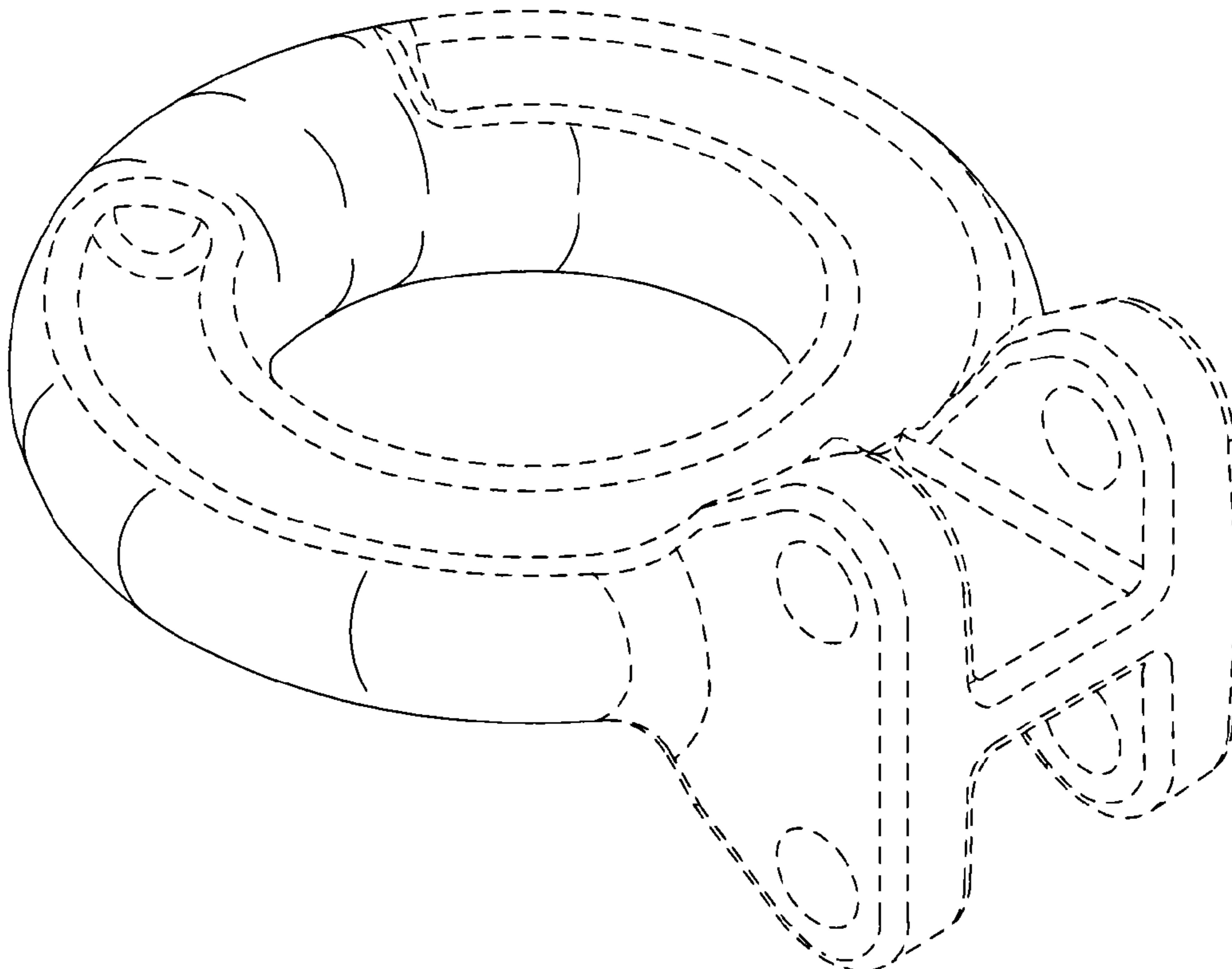
(57) **CLAIM**

The ornamental design of a lunette ring, as shown and described.

DESCRIPTION

FIG. 1 is a rear, top perspective view of a lunette ring showing my new design;
FIG. 2 is a right side view thereof;
FIG. 3 is a rear view thereof;
FIG. 4 is a left side view thereof;
FIG. 5 is a top view thereof;
FIG. 6 is a front view thereof; and,
FIG. 7 is a bottom view thereof.

1 Claim, 4 Drawing Sheets



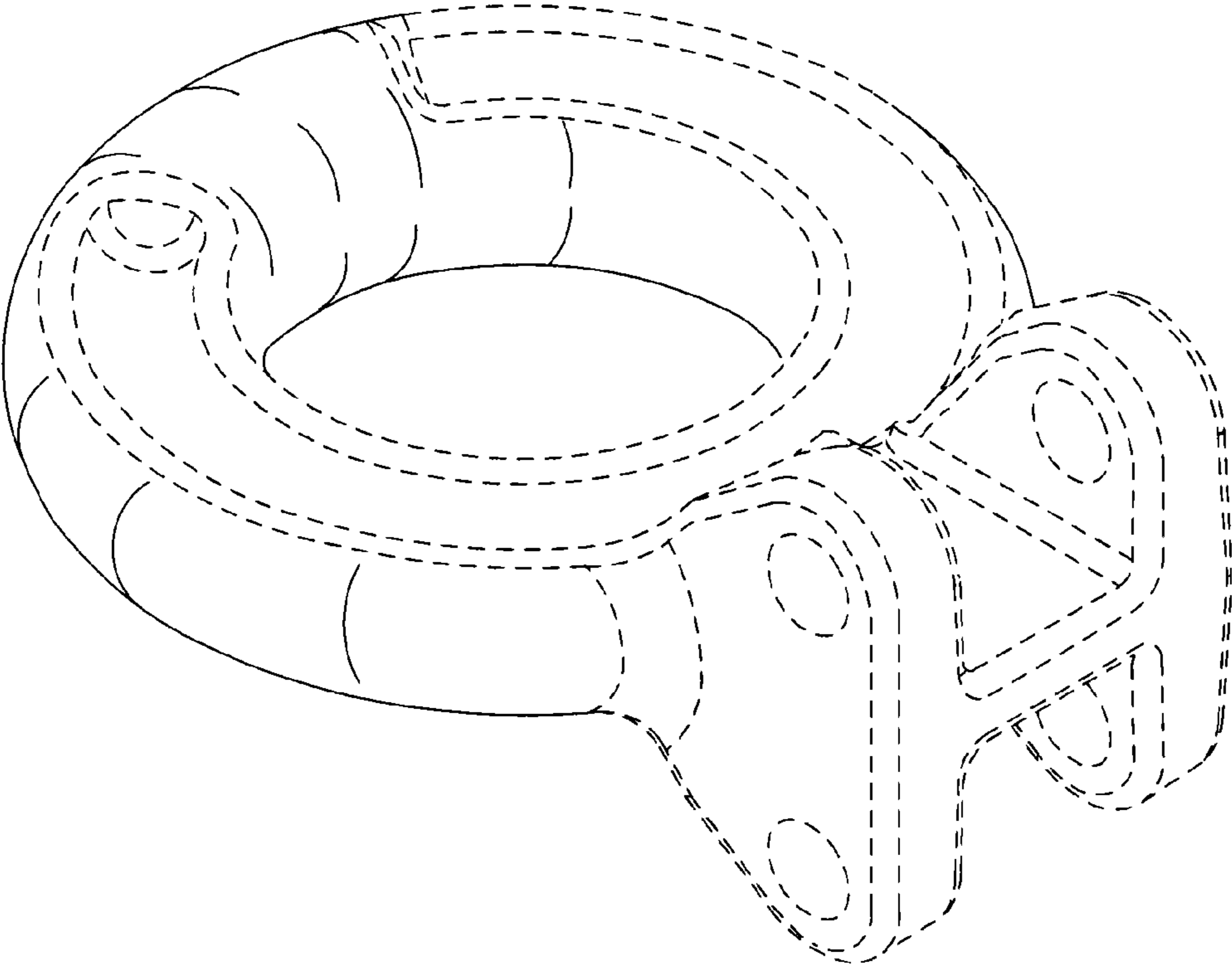


FIG. 1

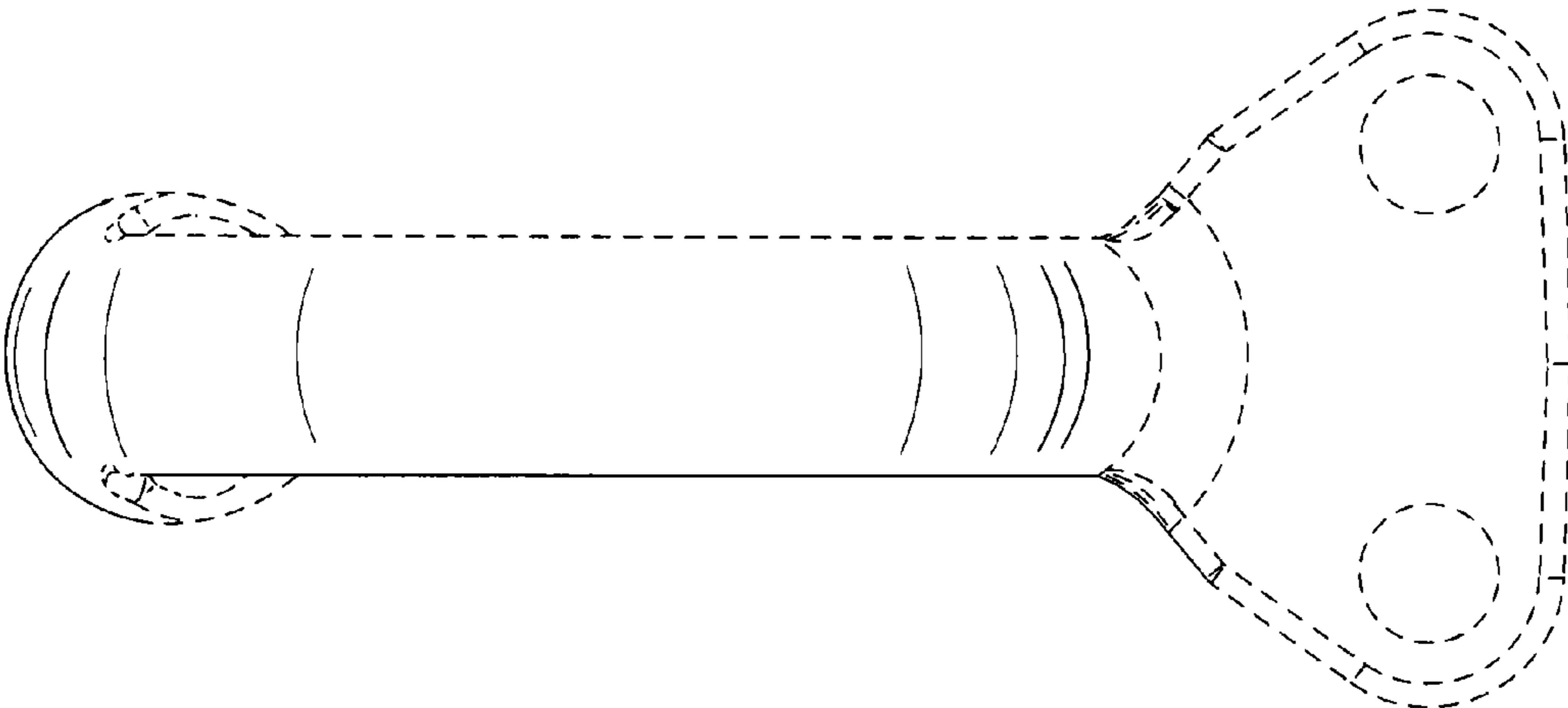


FIG. 2

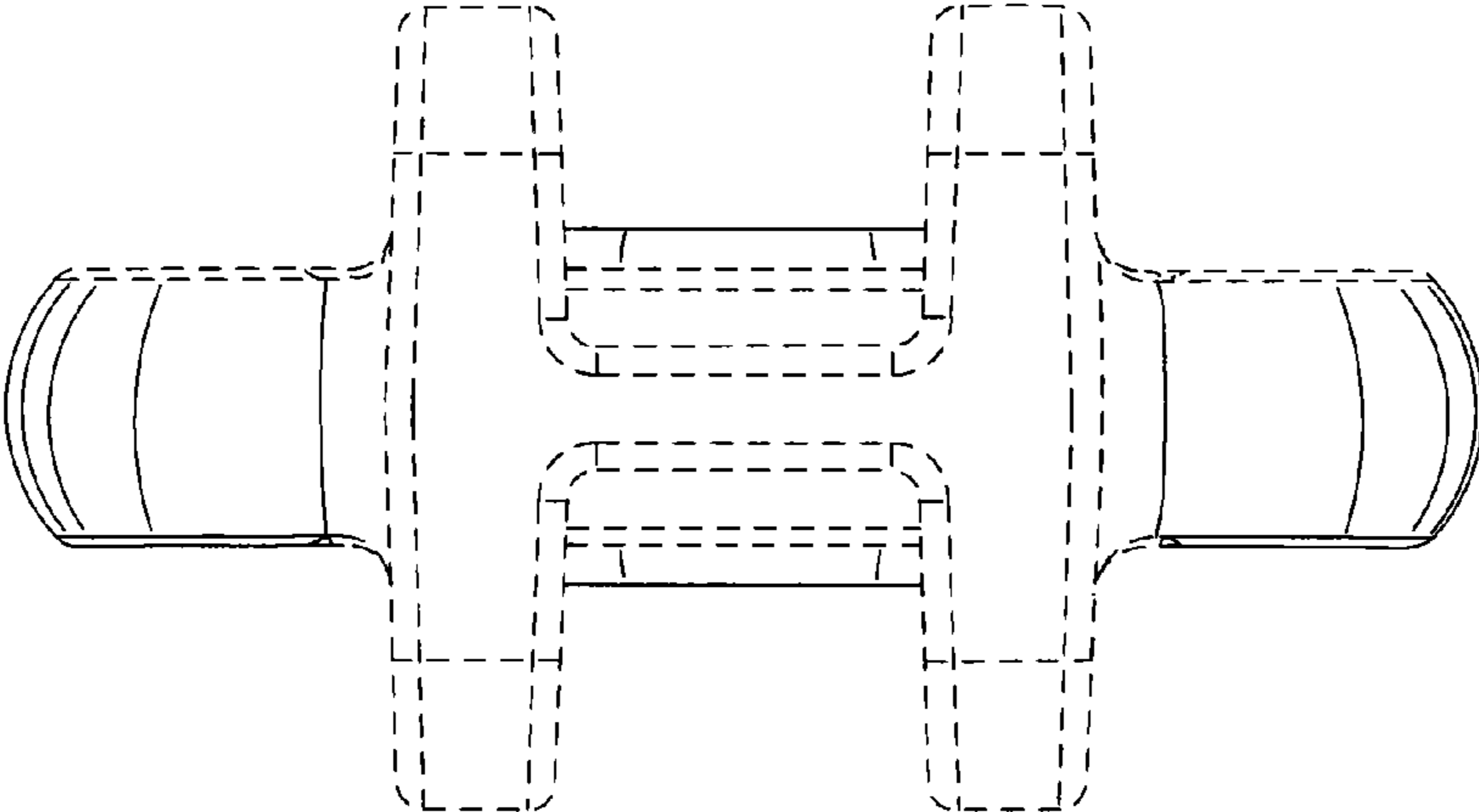


FIG. 3

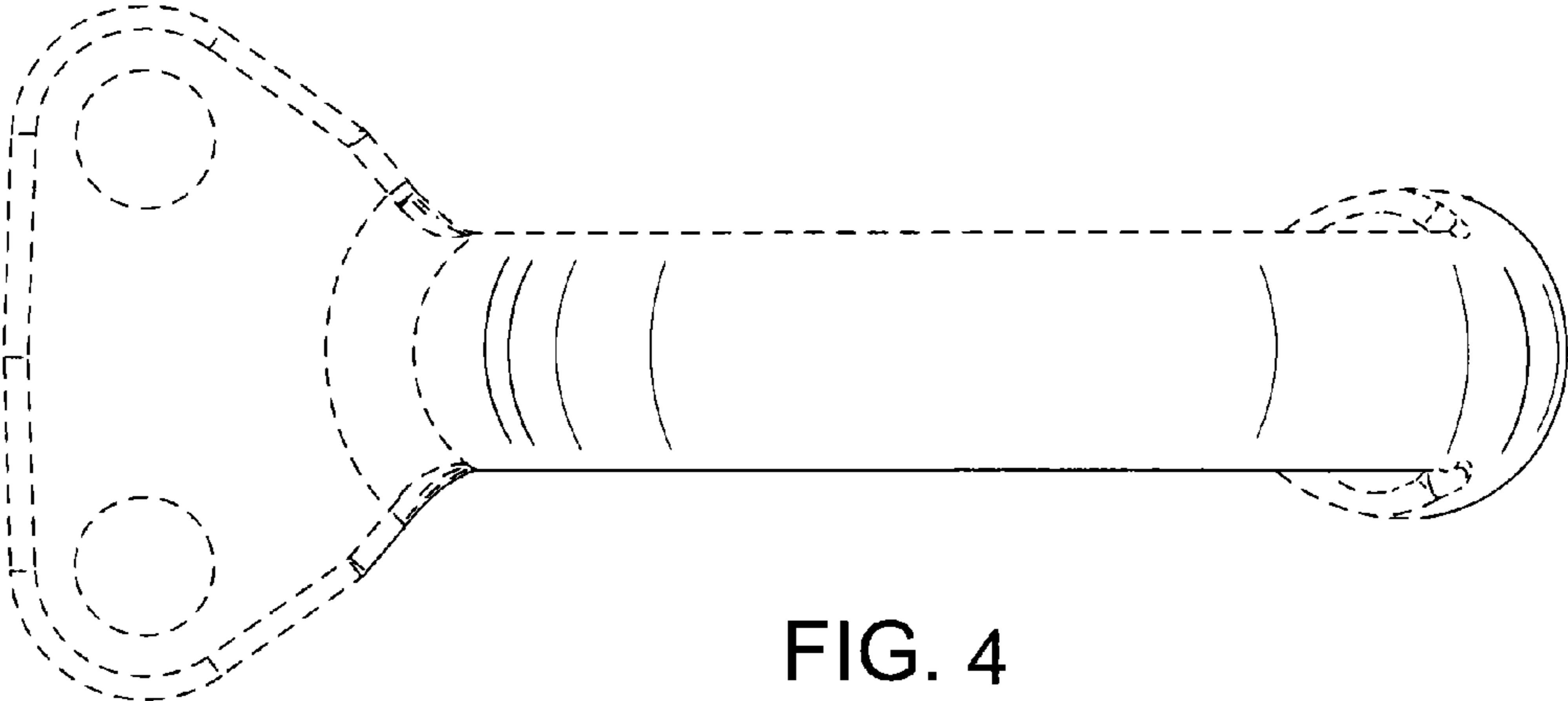


FIG. 4

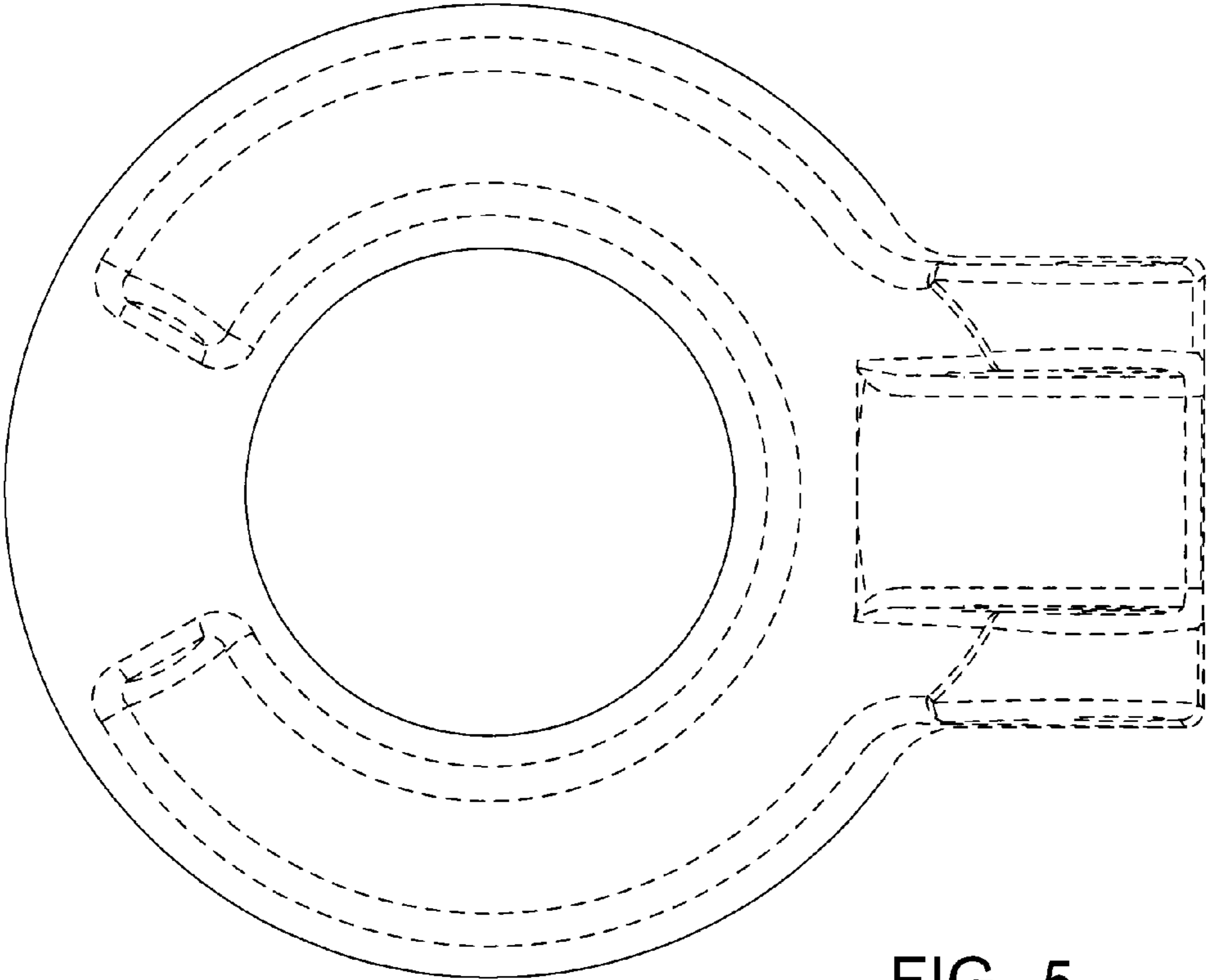


FIG. 5

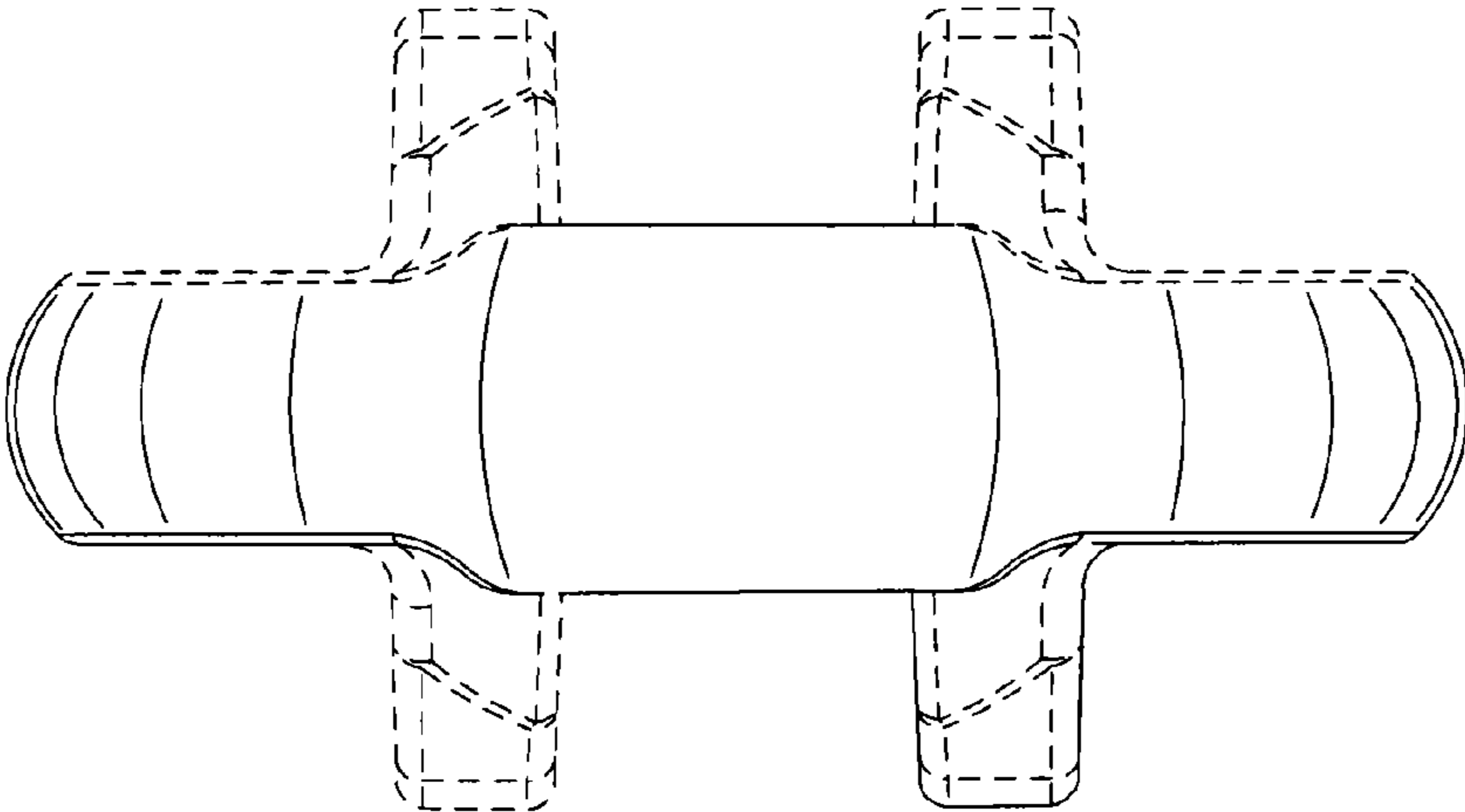


FIG. 6

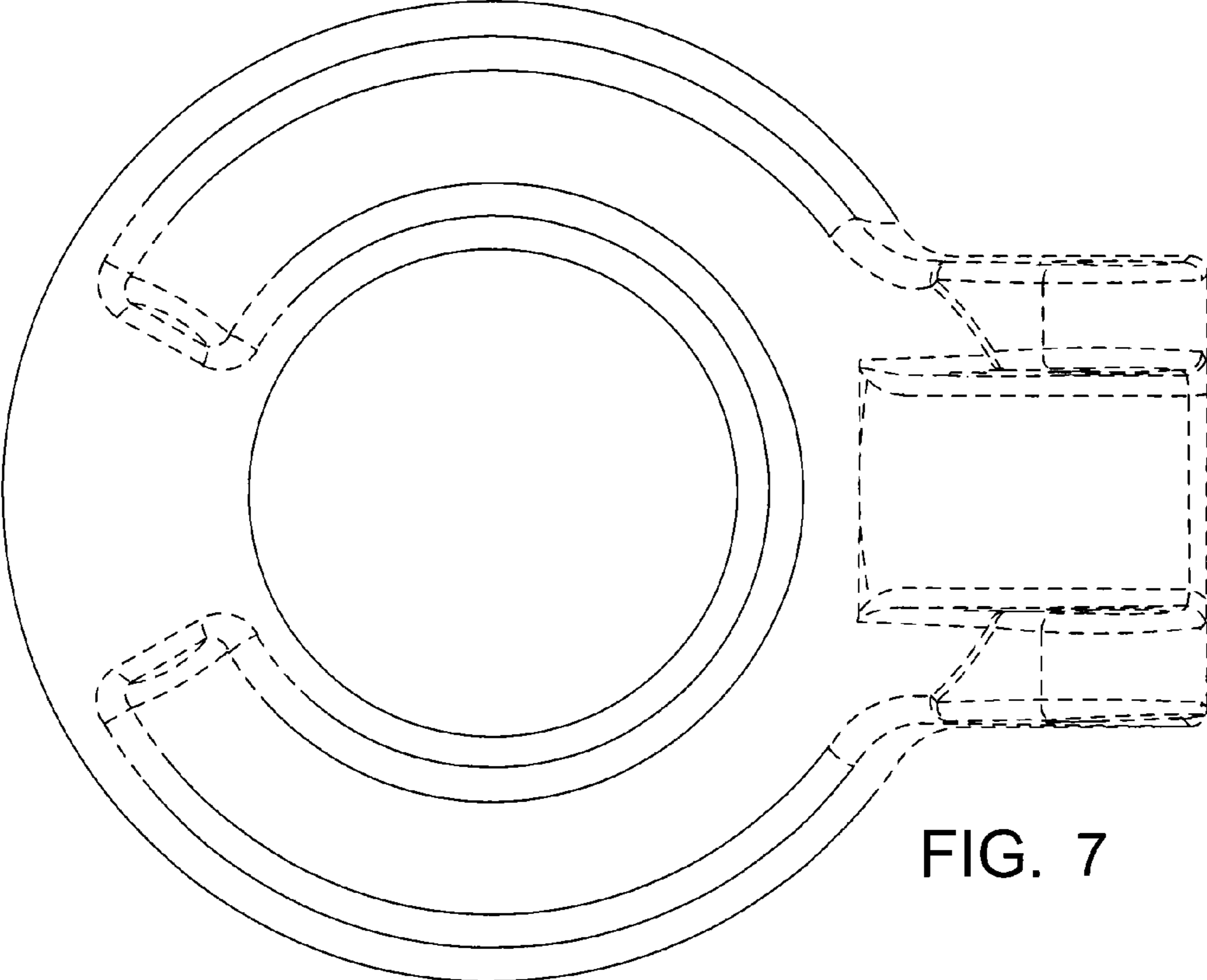


FIG. 7