



US00D710259S

(12) **United States Design Patent**  
**Baccino**

(10) **Patent No.:** **US D710,259 S**  
(45) **Date of Patent:** **\*\* Aug. 5, 2014**

(54) **CAR, TOY REPLICA AND/OR OTHER REPLICAS**

(71) Applicant: **Ferrari S.p.A.**, Modena (IT)  
(72) Inventor: **Andrea Baccino**, Castelvetro di Modena (IT)  
(73) Assignee: **Ferrari S.p.A.**, Modena (IT)  
(\*\*) Term: **14 Years**

(21) Appl. No.: **29/456,293**

(22) Filed: **May 30, 2013**

(30) **Foreign Application Priority Data**

Dec. 4, 2012 (EM) ..... 002147413  
Dec. 4, 2012 (EM) ..... 002147447

(51) **LOC (10) Cl.** ..... **12-08**

(52) **U.S. Cl.**  
USPC ..... **D12/92**

(58) **Field of Classification Search**  
USPC ..... D12/86, 90-92, 88; D21/424, 433, 434;  
296/181.1, 181.5

See application file for complete search history.

(56) **References Cited**

U.S. PATENT DOCUMENTS

D664,895 S *	8/2012	Nakagami et al. ....	D12/91
D671,457 S *	11/2012	Goto et al. ....	D12/92
D684,897 S *	6/2013	Kim .....	D12/92
D686,111 S *	7/2013	Kido et al. ....	D12/92
D686,531 S *	7/2013	Lamm .....	D12/91
D686,553 S *	7/2013	Kwon et al. ....	D12/196
D687,348 S *	8/2013	Nurnberger .....	D12/92
D693,274 S *	11/2013	Tamatani et al. ....	D12/92
D703,104 S *	4/2014	Scaringe et al. ....	D12/92
D704,102 S *	5/2014	Nurnberger .....	D12/92

\* cited by examiner

*Primary Examiner* — Melody Brown

(74) *Attorney, Agent, or Firm* — Kilyk & Bowersox, P.L.L.C.

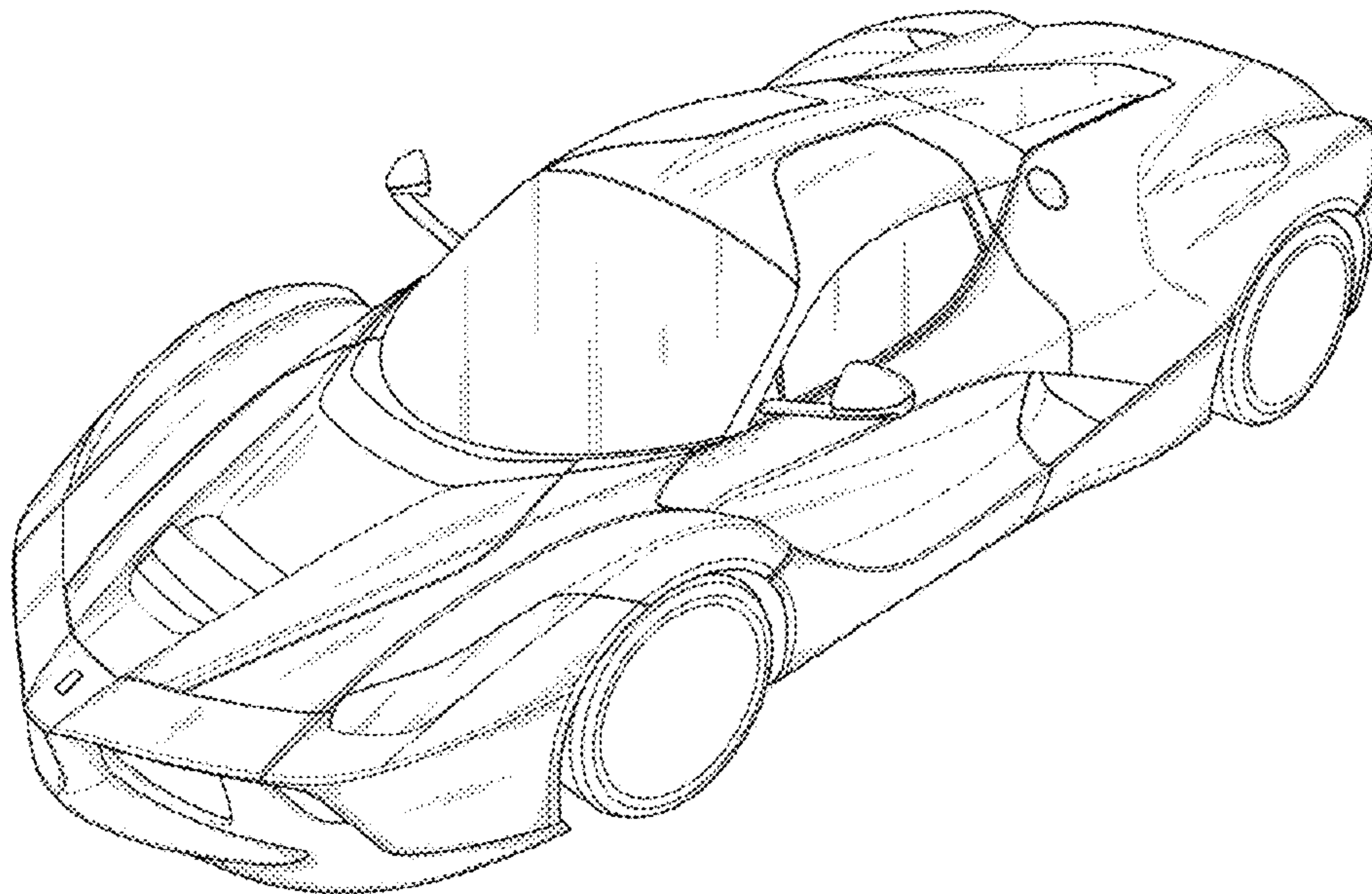
(57) **CLAIM**

The ornamental design for a car, toy replica and/or other replicas, as shown and described.

**DESCRIPTION**

FIG. 1 is a front perspective view of a car, toy replica and/or other replicas showing my new design;  
FIG. 2 is a rear view thereof;  
FIG. 3 is a right side view thereof;  
FIG. 4 is a left side view thereof;  
FIG. 5 is a top view thereof;  
FIG. 6 is a front perspective view thereof; and,  
FIG. 7 is a rear perspective view thereof.

**1 Claim, 7 Drawing Sheets**



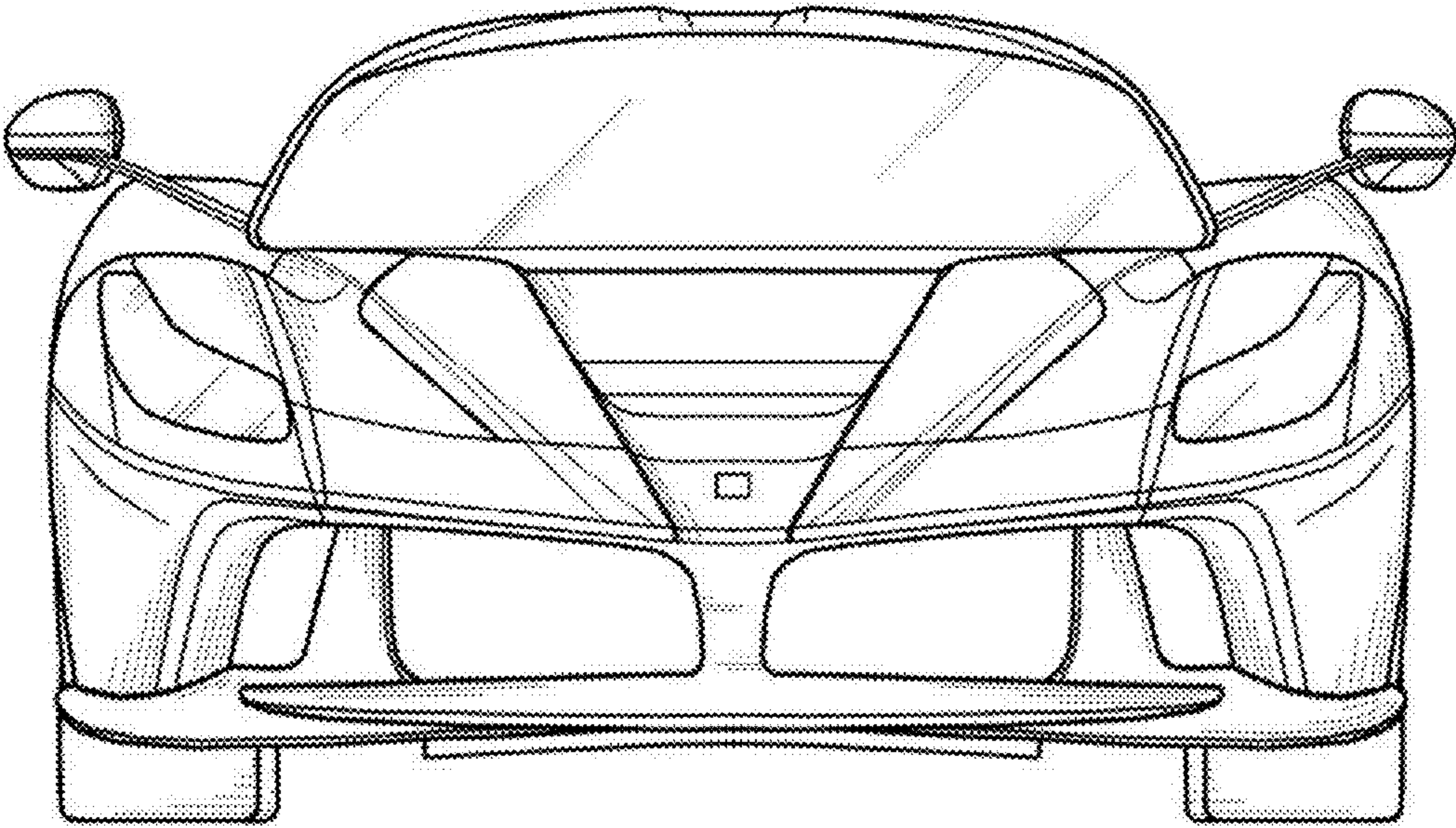


FIG.1



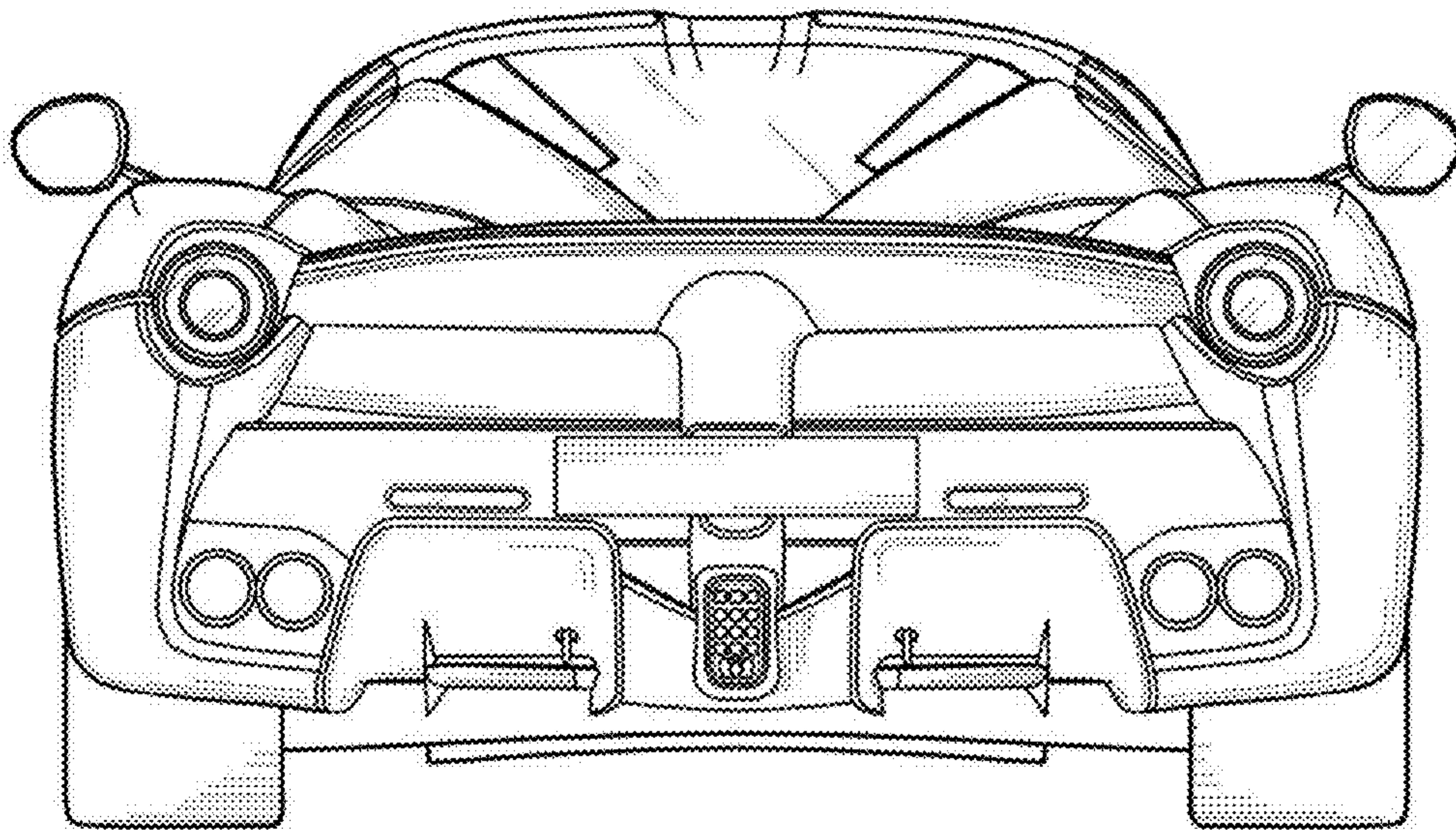


FIG.2

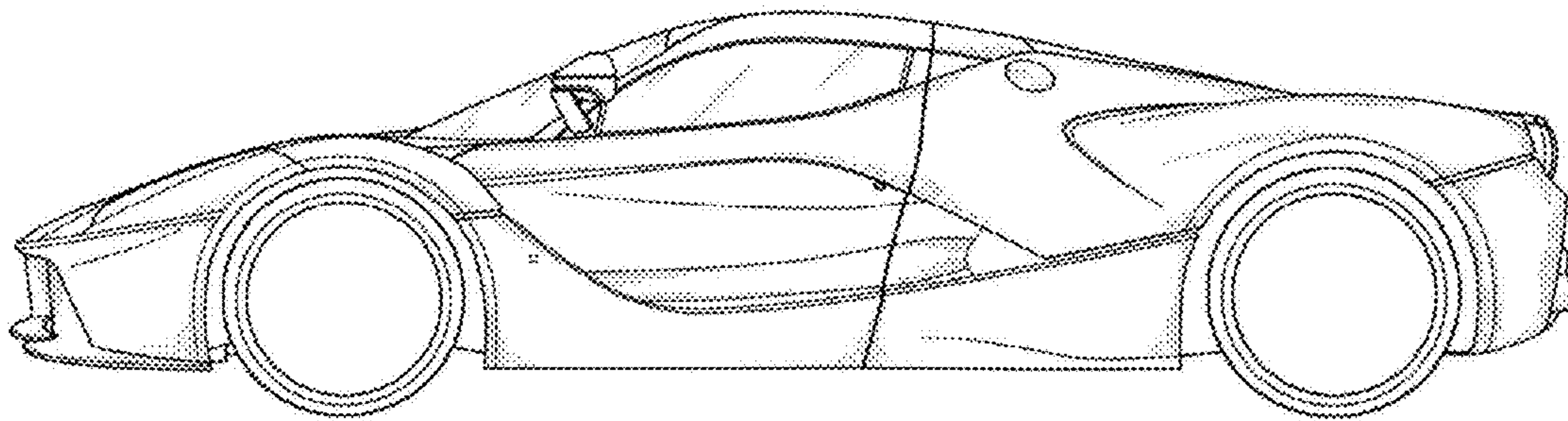


FIG. 3

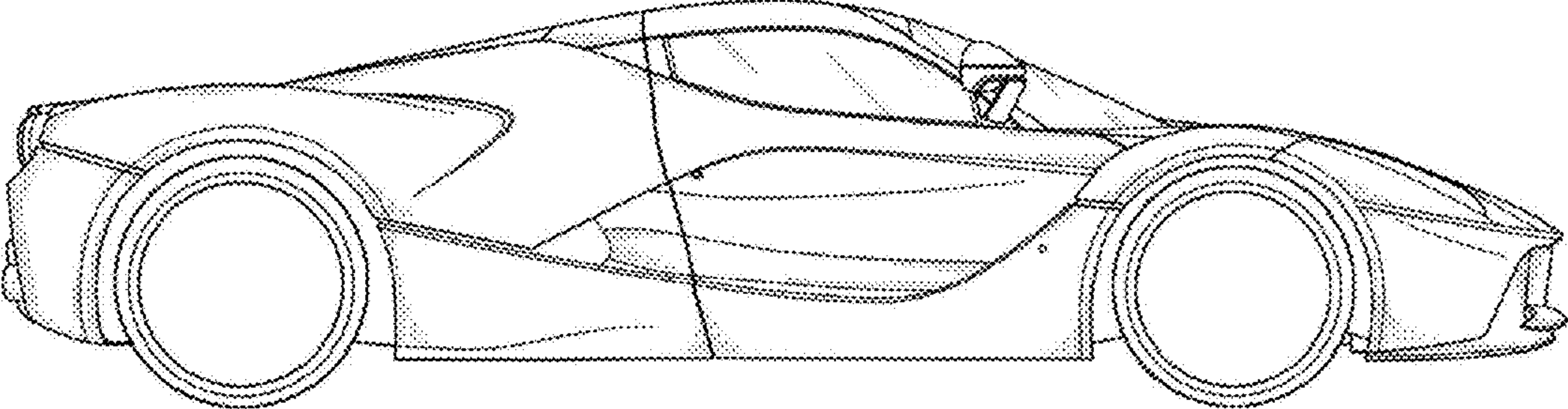


FIG.4

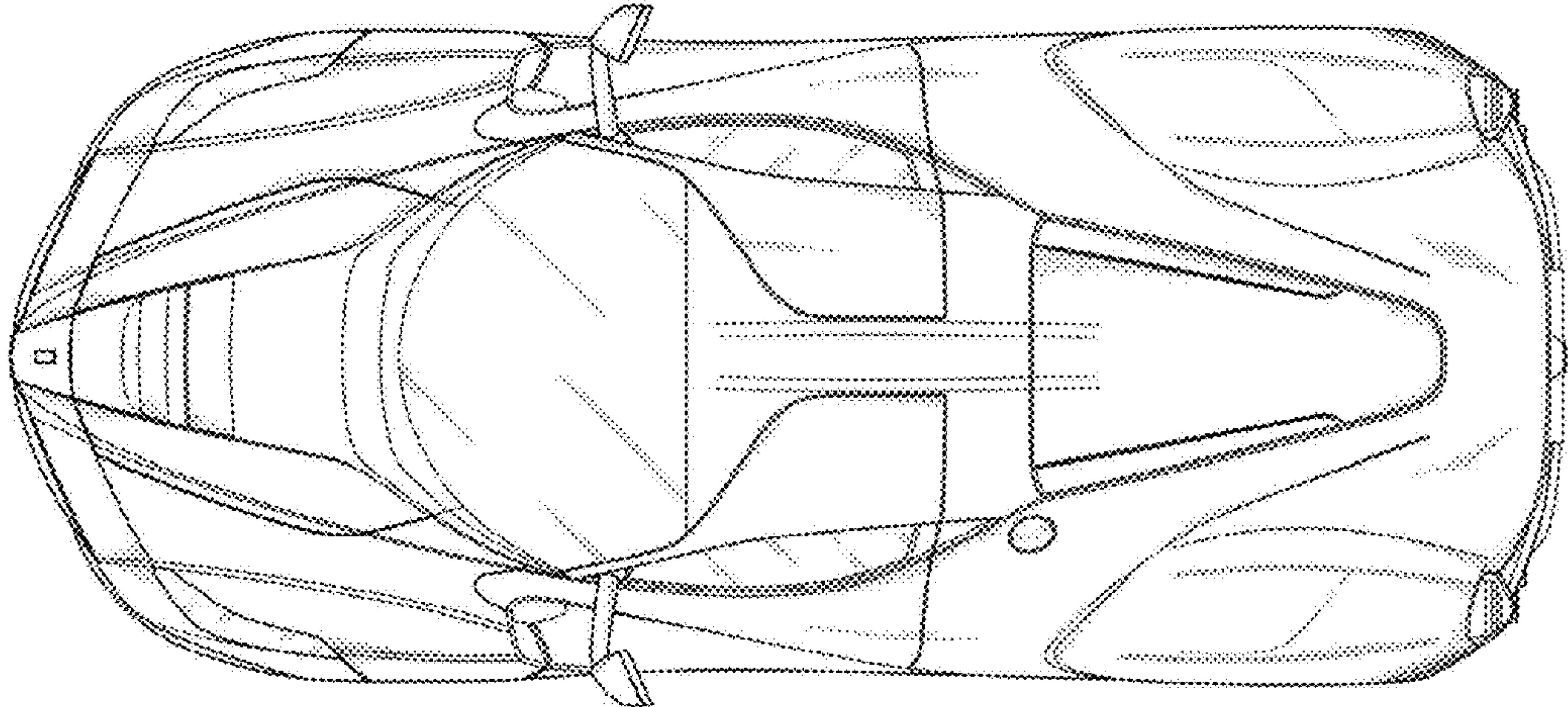


FIG. 5



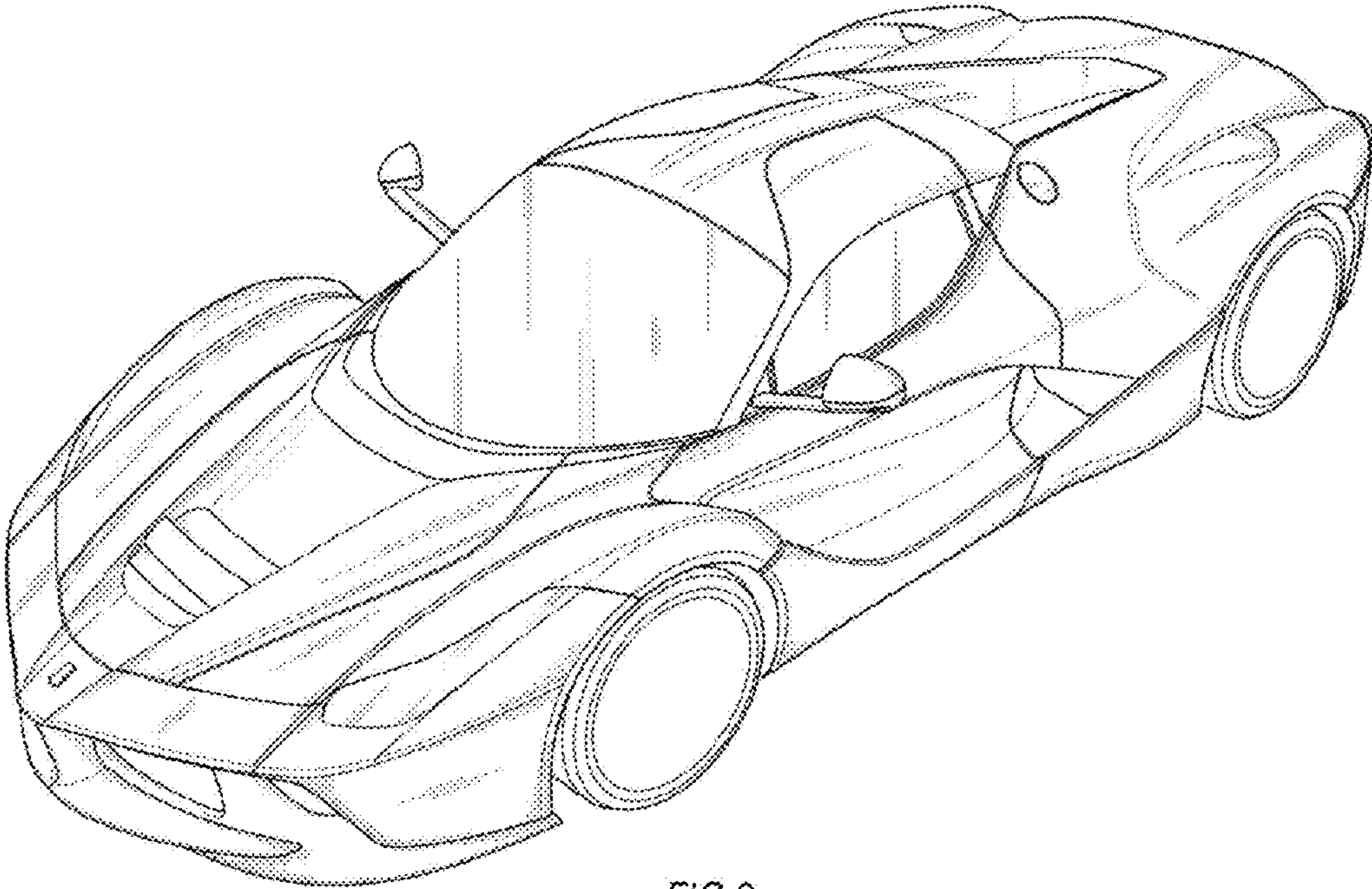


FIG. 6

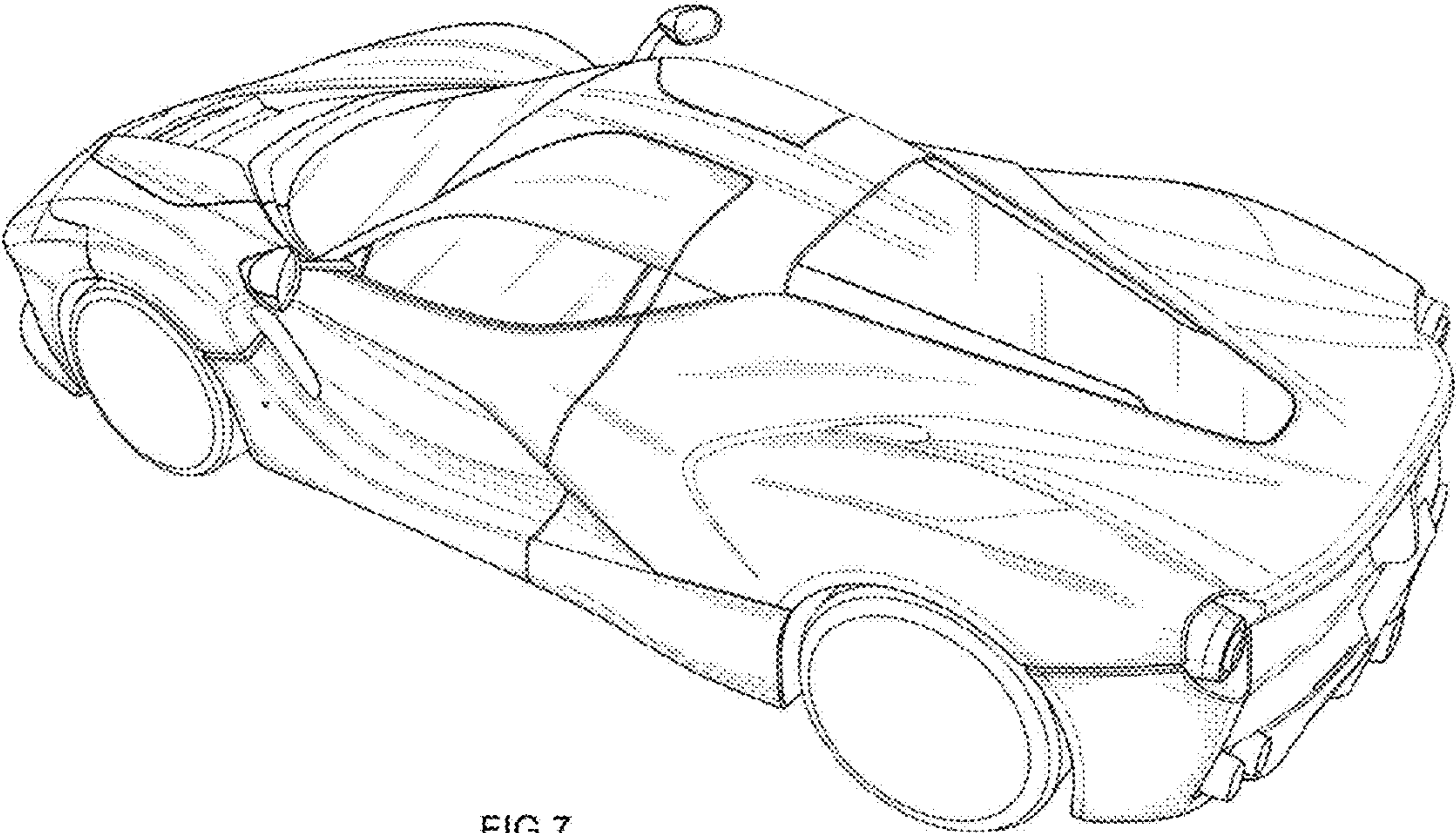


FIG.7