



US00D710255S

(12) **United States Design Patent**
Koehl et al.

(10) **Patent No.:** **US D710,255 S**

(45) **Date of Patent:** **** Aug. 5, 2014**

(54) **VEHICLE, TOY, AND/OR REPLICAS THEREOF**

(56) **References Cited**

U.S. PATENT DOCUMENTS

(71) Applicant: **Daimler AG**, Stuttgart (DE)

D513,716 S *	1/2006	Acampora	D12/91
D534,459 S *	1/2007	Kim et al.	D12/91
D540,714 S *	4/2007	Mueller-Stolz	D12/91
D575,677 S *	8/2008	Hildebrand et al.	D12/91
D591,647 S *	5/2009	Wang et al.	D12/91
D592,103 S *	5/2009	Lo	D12/91
D624,851 S *	10/2010	Feng et al.	D12/91
D631,397 S *	1/2011	Clottu	D12/91
D643,339 S *	8/2011	Burki et al.	D12/91
D684,093 S *	6/2013	Woolley et al.	D12/91
D684,094 S *	6/2013	Le Grice et al.	D12/91

(72) Inventors: **Steffen Koehl**, Stuttgart (DE); **Hubert Lee**, Irvine, CA (US); **Jackson Luttig**, Ontario (CA); **Gorden Wagener**, Gaeufelden (DE); **Sylvain Wehnert**, Stuttgart (DE); **Margarete Wies**, Boeblingen (DE)

(73) Assignee: **Daimler AG**, Stuttgart (DE)

* cited by examiner

(**) Term: **14 Years**

Primary Examiner — Melody Brown

(21) Appl. No.: **29/453,814**

(74) *Attorney, Agent, or Firm* — Crowell & Moring LLP

(22) Filed: **May 3, 2013**

(57) **CLAIM**

The ornamental design for a vehicle, toy, and/or replicas thereof, as shown and described.

(30) **Foreign Application Priority Data**

DESCRIPTION

Nov. 9, 2012 (EM) 002133629-0001

(51) **LOC (10) Cl.** **12-08**

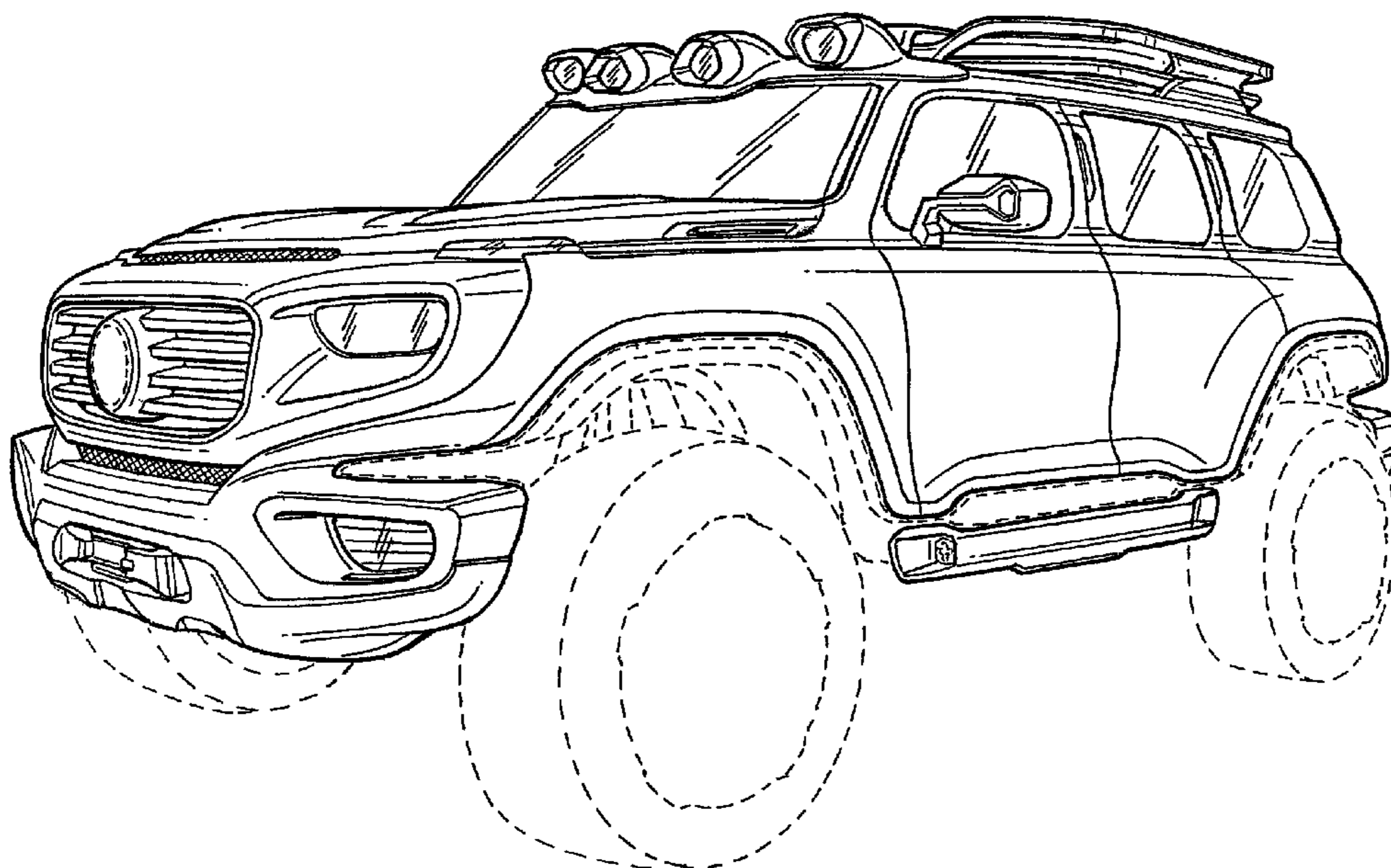
(52) **U.S. Cl.**
USPC **D12/91**

(58) **Field of Classification Search**
USPC D12/86, 90-92, 88; D21/424, 433, 434;
296/181.1, 181.5

FIG. 1 is a left, front perspective view of a vehicle, toy, and/or replicas thereof according to the design;
FIG. 2 is a left, rear perspective view thereof;
FIG. 3 is a right side view thereof;
FIG. 4 is a left side view thereof;
FIG. 5 is a front view thereof;
FIG. 6 is a rear view thereof; and,
FIG. 7 is a top view thereof.
The broken lines are for illustrative purposes only and form no part of the claimed design.

See application file for complete search history.

1 Claim, 6 Drawing Sheets



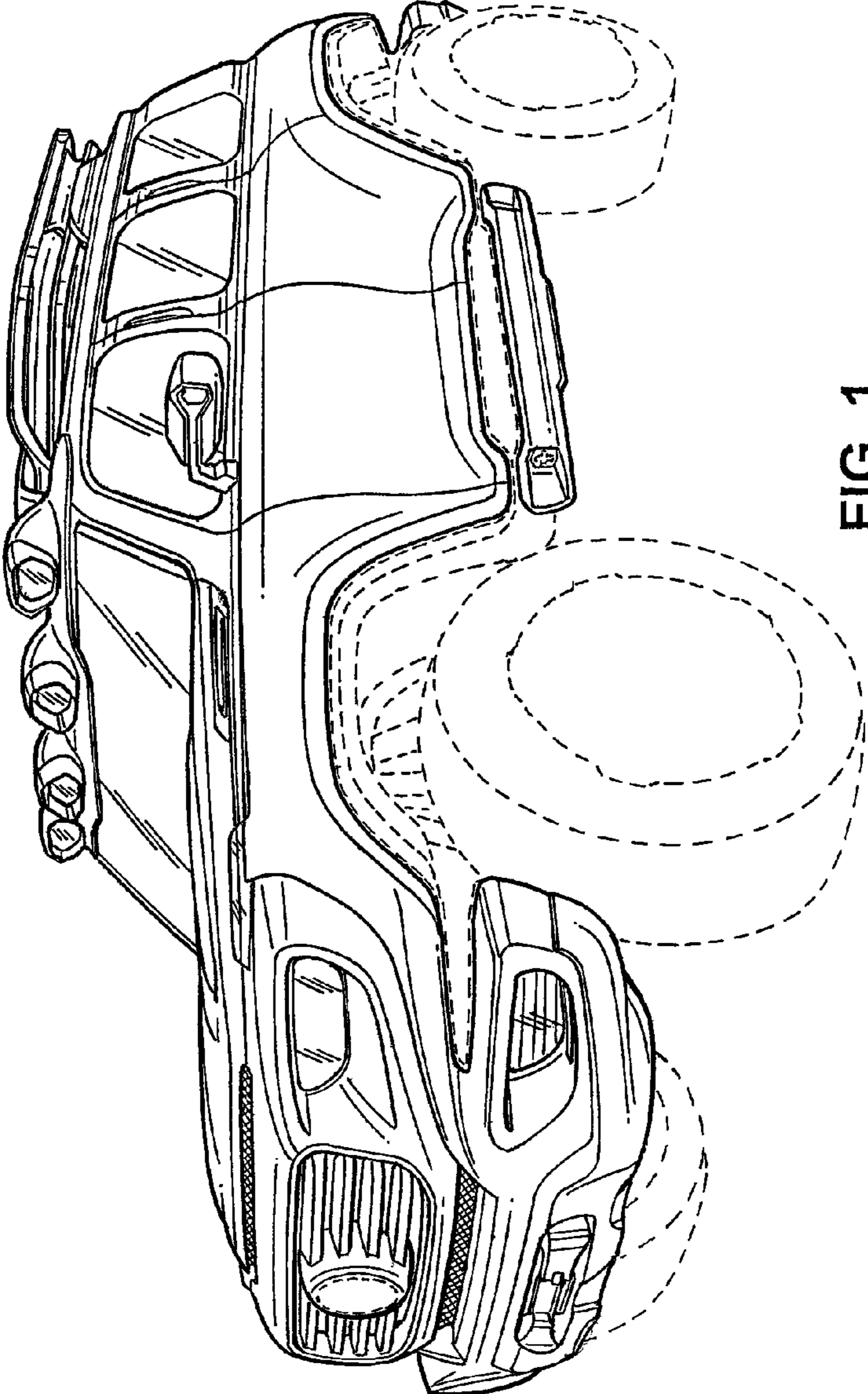


FIG. 1

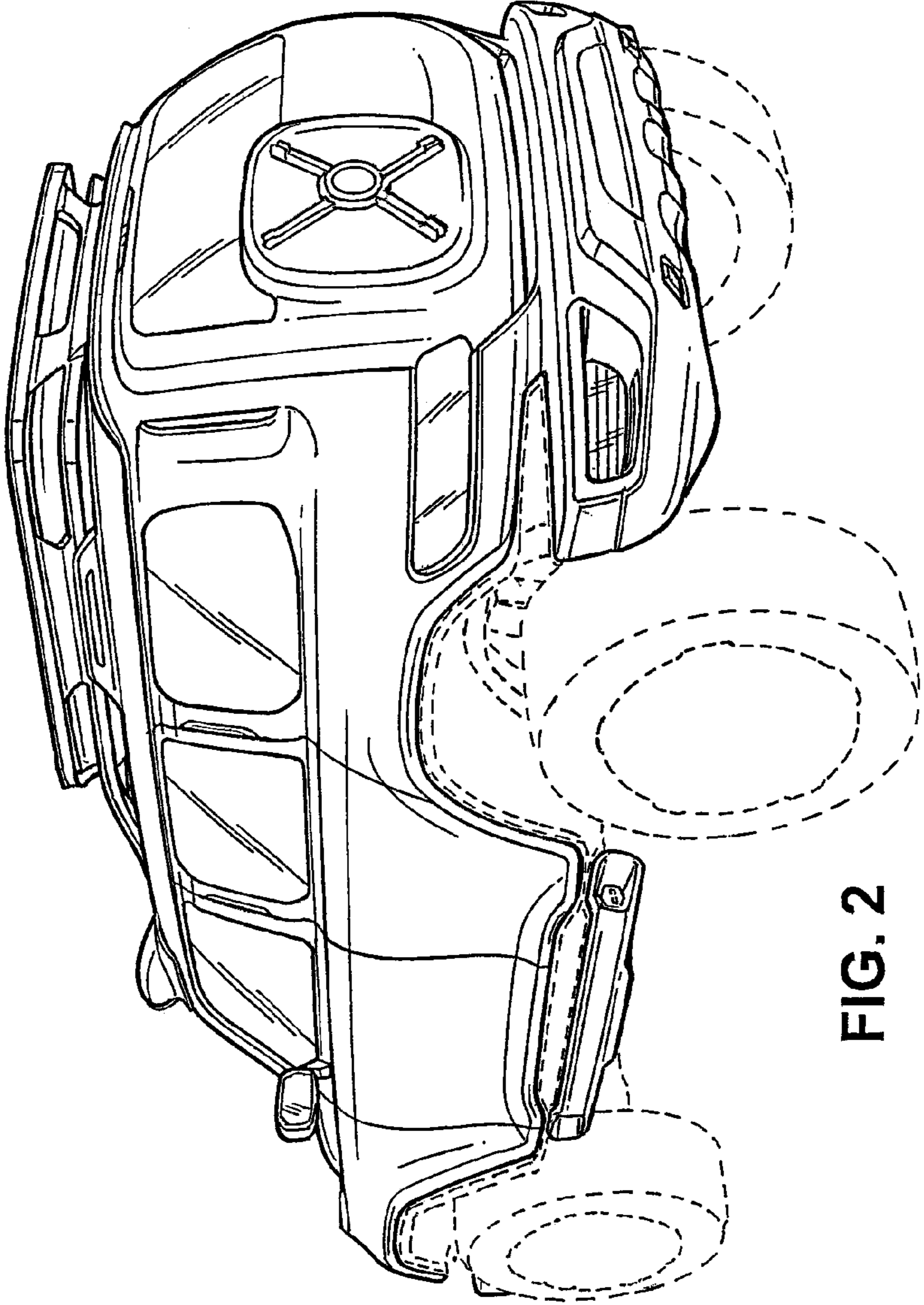


FIG. 2

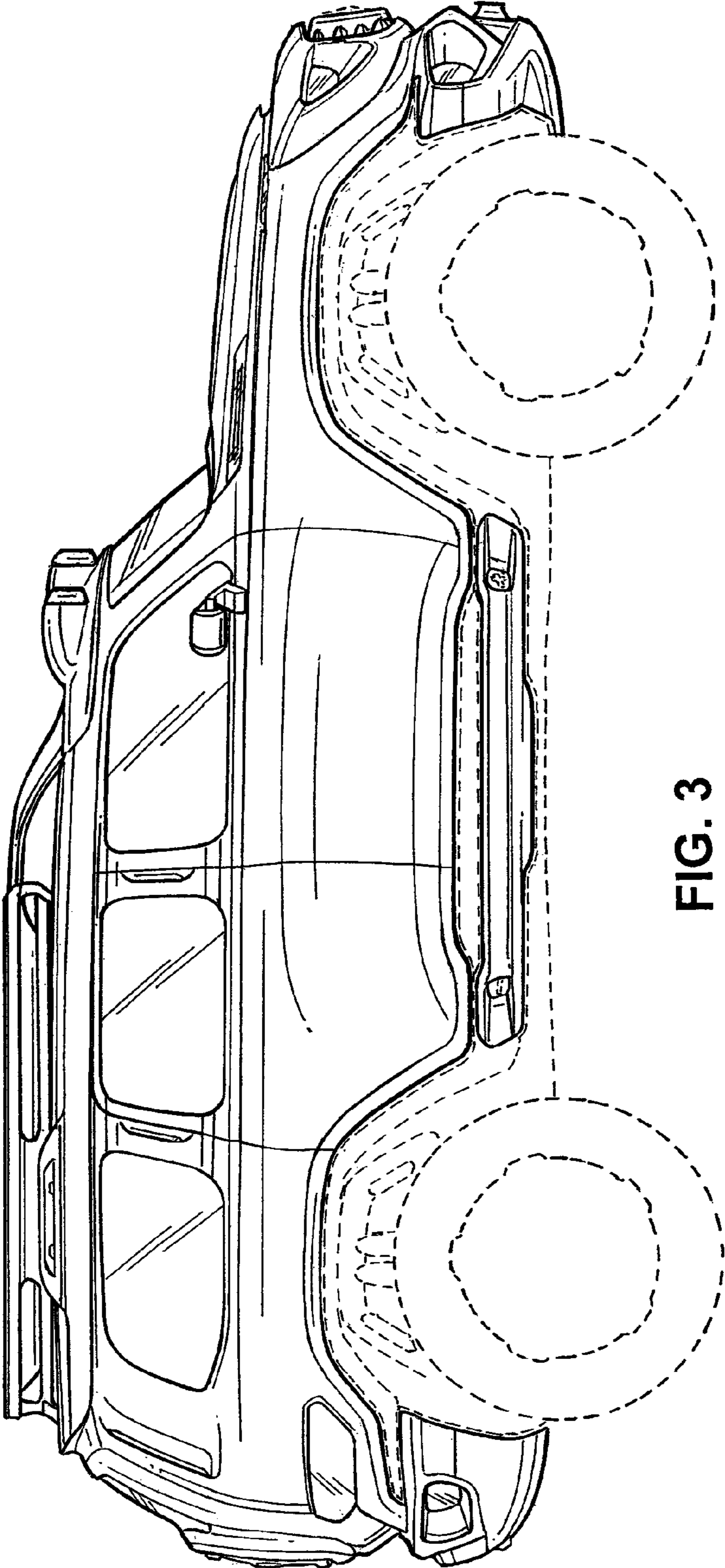


FIG. 3

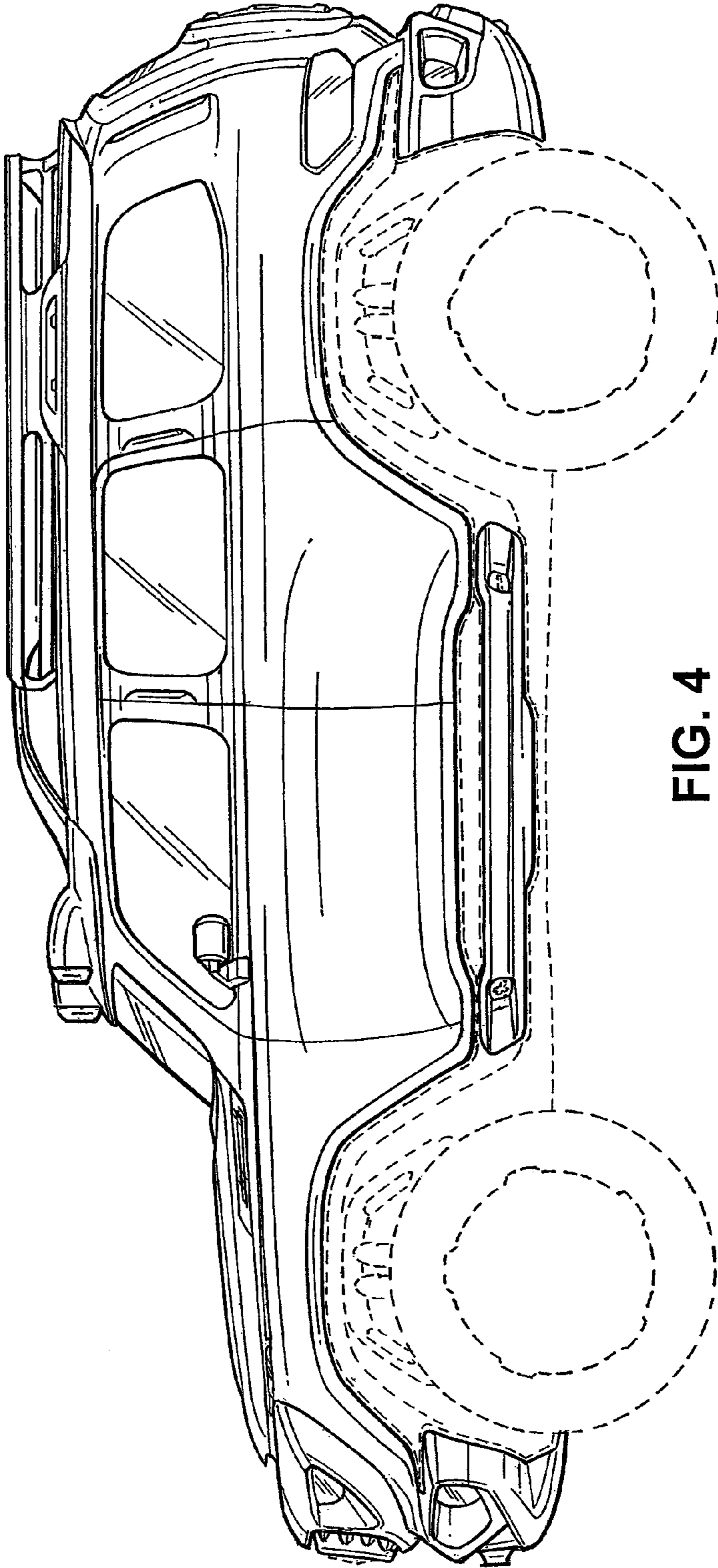


FIG. 4

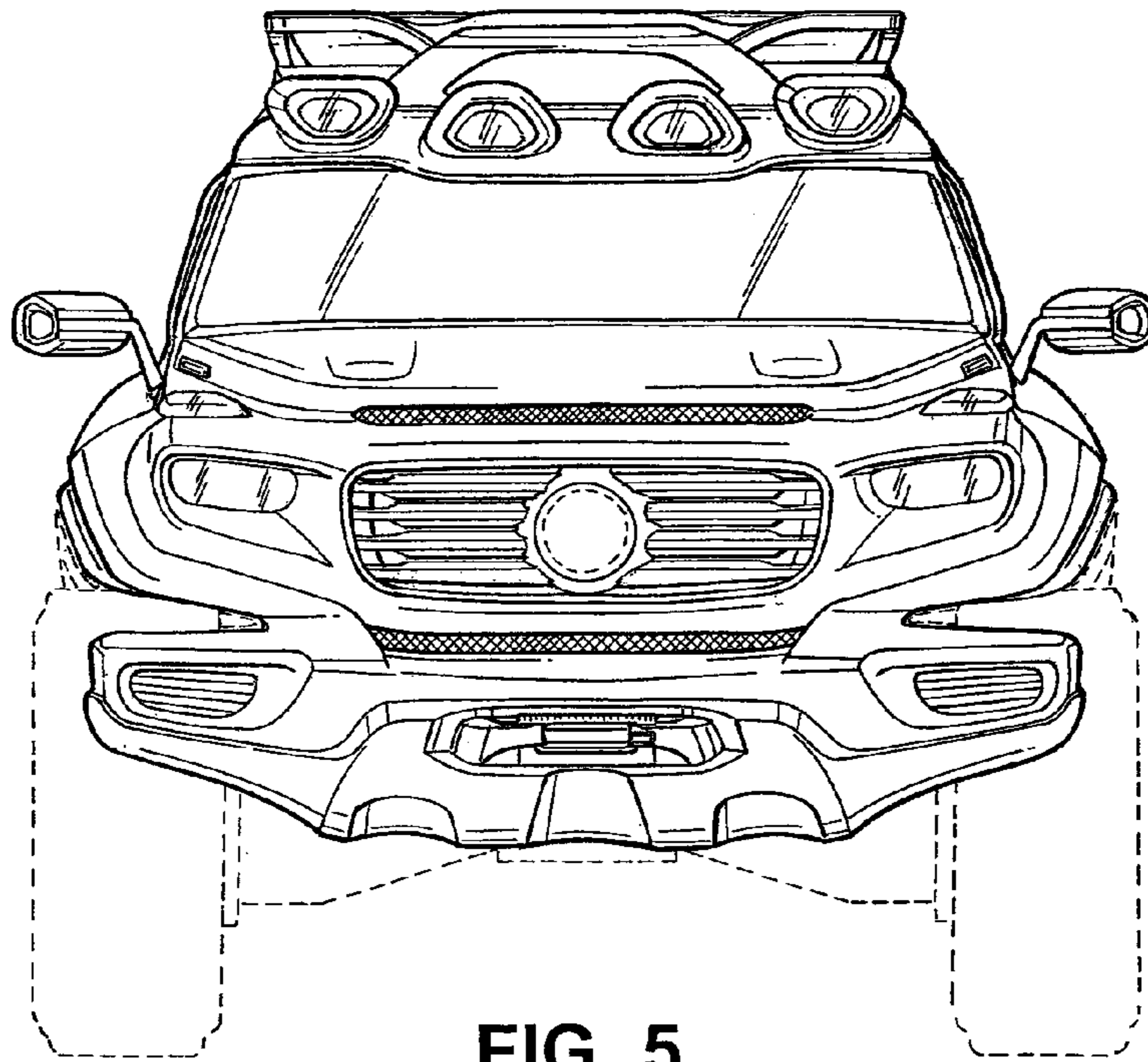


FIG. 5

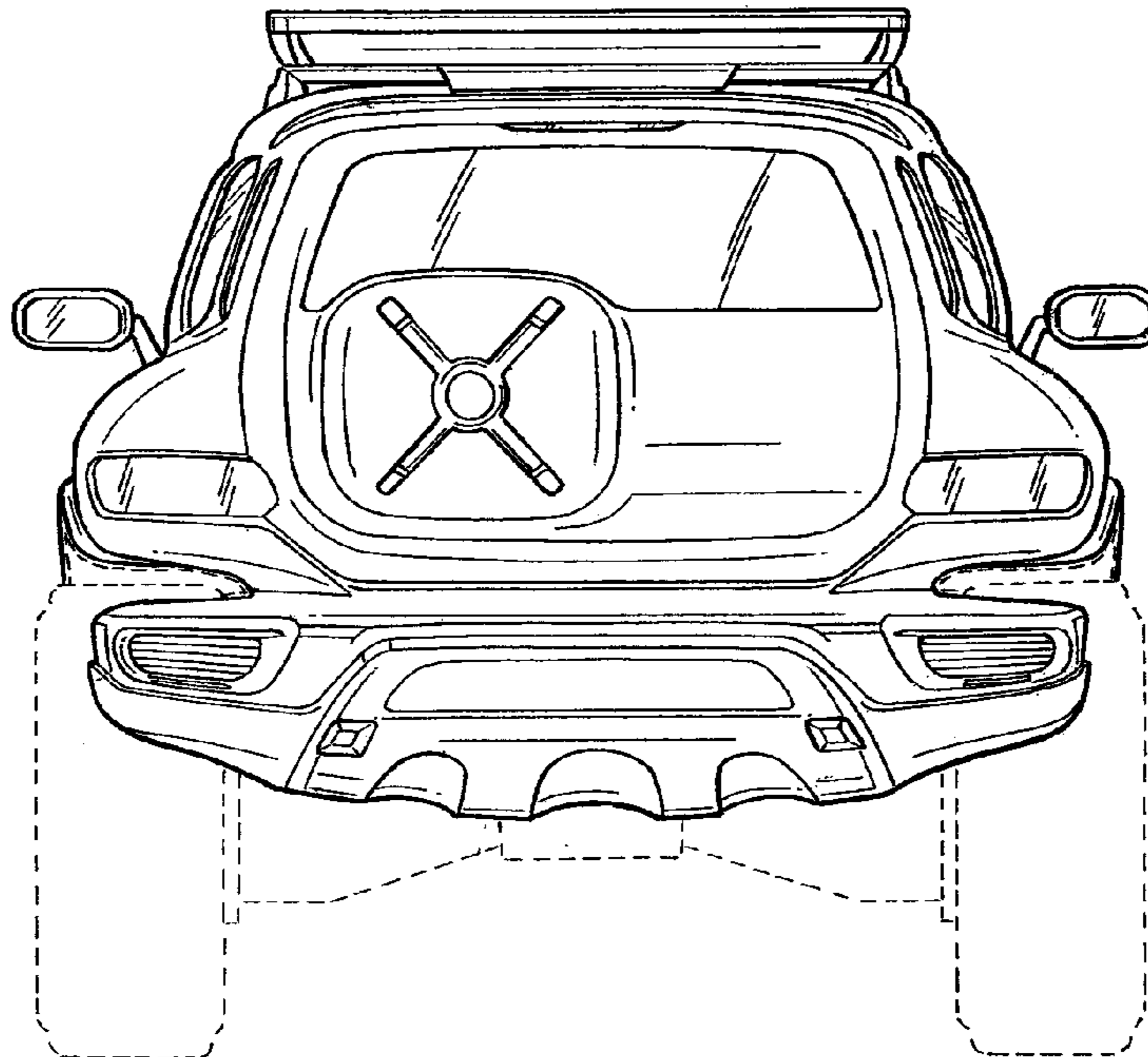


FIG. 6

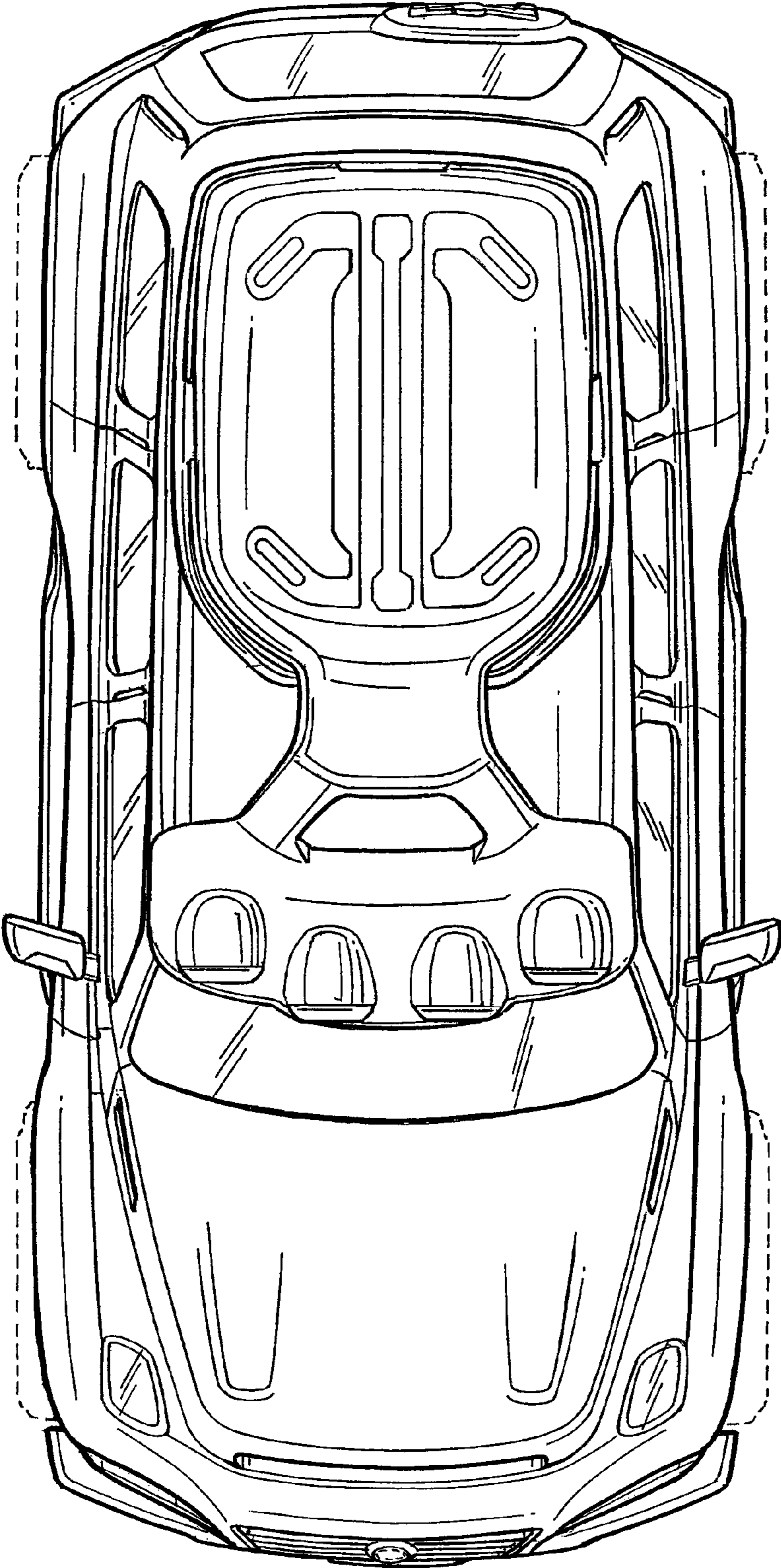


FIG. 7