



US00D710249S

(12) **United States Design Patent**  
**Nilsen et al.**

(10) **Patent No.:** **US D710,249 S**  
(45) **Date of Patent:** **\*\* Aug. 5, 2014**

(54) **BUCKLE**

(71) Applicant: **Illinois Tool Works Inc.**, Glenview, IL (US)

(72) Inventors: **Martin J. Nilsen**, Hampshire, IL (US);  
**Christopher A. J. Iannello**, Rolling Meadows, IL (US); **Michael B. Grimm**, Evanston, IL (US)

(73) Assignee: **Illinois Tool Works Inc.**, Glenview, IL (US)

(\*\*) Term: **14 Years**

(21) Appl. No.: **29/482,270**

(22) Filed: **Feb. 17, 2014**

(51) **LOC (10) Cl.** ..... **02-07**

(52) **U.S. Cl.**  
USPC ..... **D11/218**

(58) **Field of Classification Search**  
CPC ..... A44B 11/10; A44B 11/25; A44B 21/00;  
A44B 17/00  
USPC ..... D11/1-2, 200-201, 206-210, 214-218;  
24/163 R, 169-171, 173, 177-179, 191,  
24/194-195, 197, 200, 614-616, 625, 198,  
24/578.11, 578.1, 163 K, 114, 633, 593.1  
See application file for complete search history.

(56) **References Cited**

U.S. PATENT DOCUMENTS

D176,378 S *	12/1955	Paulson .....	D11/208
D491,101 S *	6/2004	Hsu .....	D11/210
D544,400 S *	6/2007	Yoshiguchi .....	D11/200
D562,728 S *	2/2008	Downing et al. ....	D11/210
D616,331 S *	5/2010	Anscher .....	D11/216
D681,505 S *	5/2013	Grimm et al. ....	D11/216
D687,509 S *	8/2013	Iannello et al. ....	D22/108
D699,151 S *	2/2014	Kolasa .....	D11/200

\* cited by examiner

*Primary Examiner* — Ralf Seifert

(74) *Attorney, Agent, or Firm* — Mark W. Croll; Paul F. Donovan

(57) **CLAIM**

The ornamental design for a buckle, as shown and described.

**DESCRIPTION**

FIG. 1 is a perspective view of a buckle showing the new design;

FIG. 2 is a top view thereof;

FIG. 3 is a bottom view thereof;

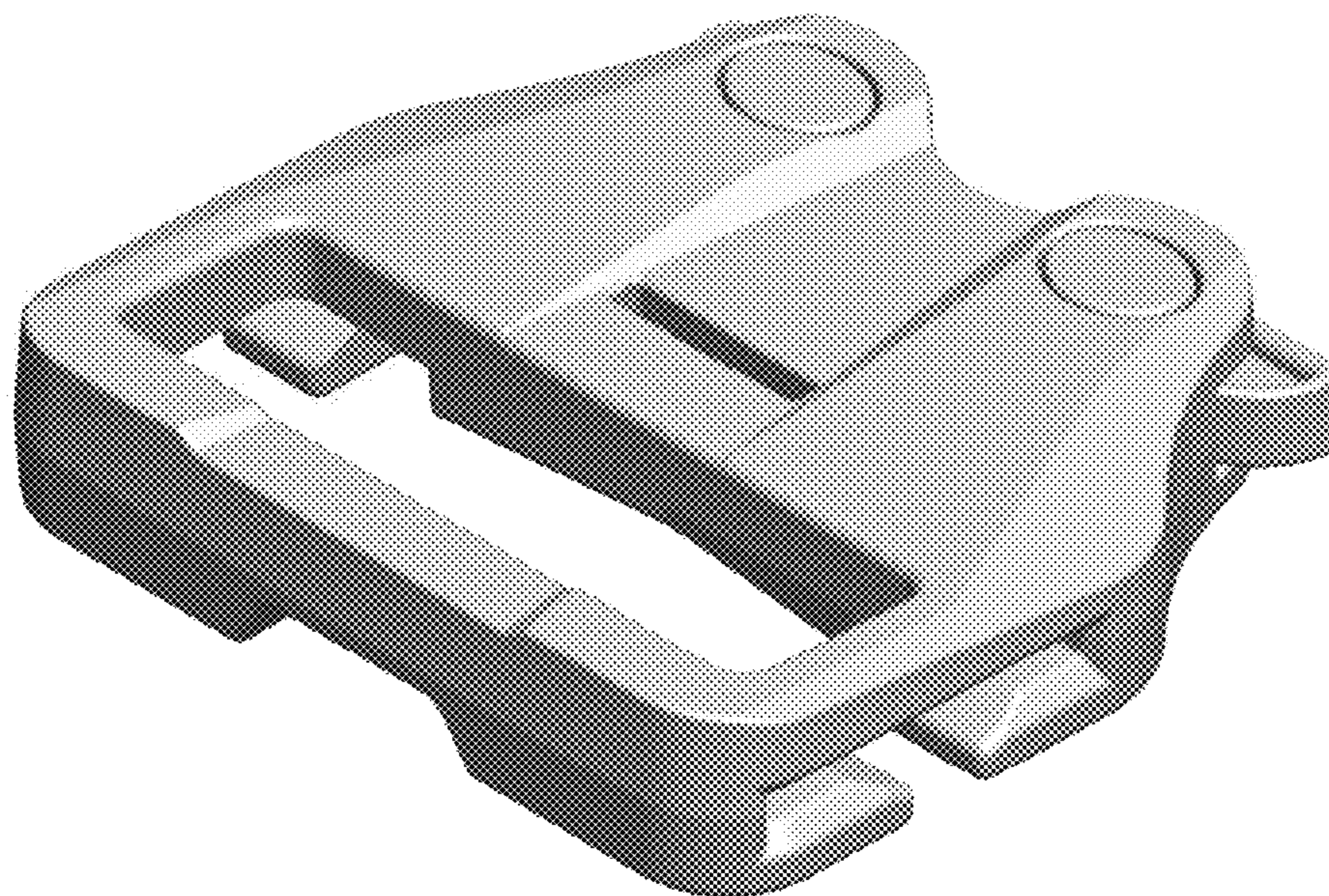
FIG. 4 is a front end view thereof;

FIG. 5 is a left side view thereof;

FIG. 6 is a back end view thereof; and,

FIG. 7 is a right side view thereof.

**1 Claim, 7 Drawing Sheets**



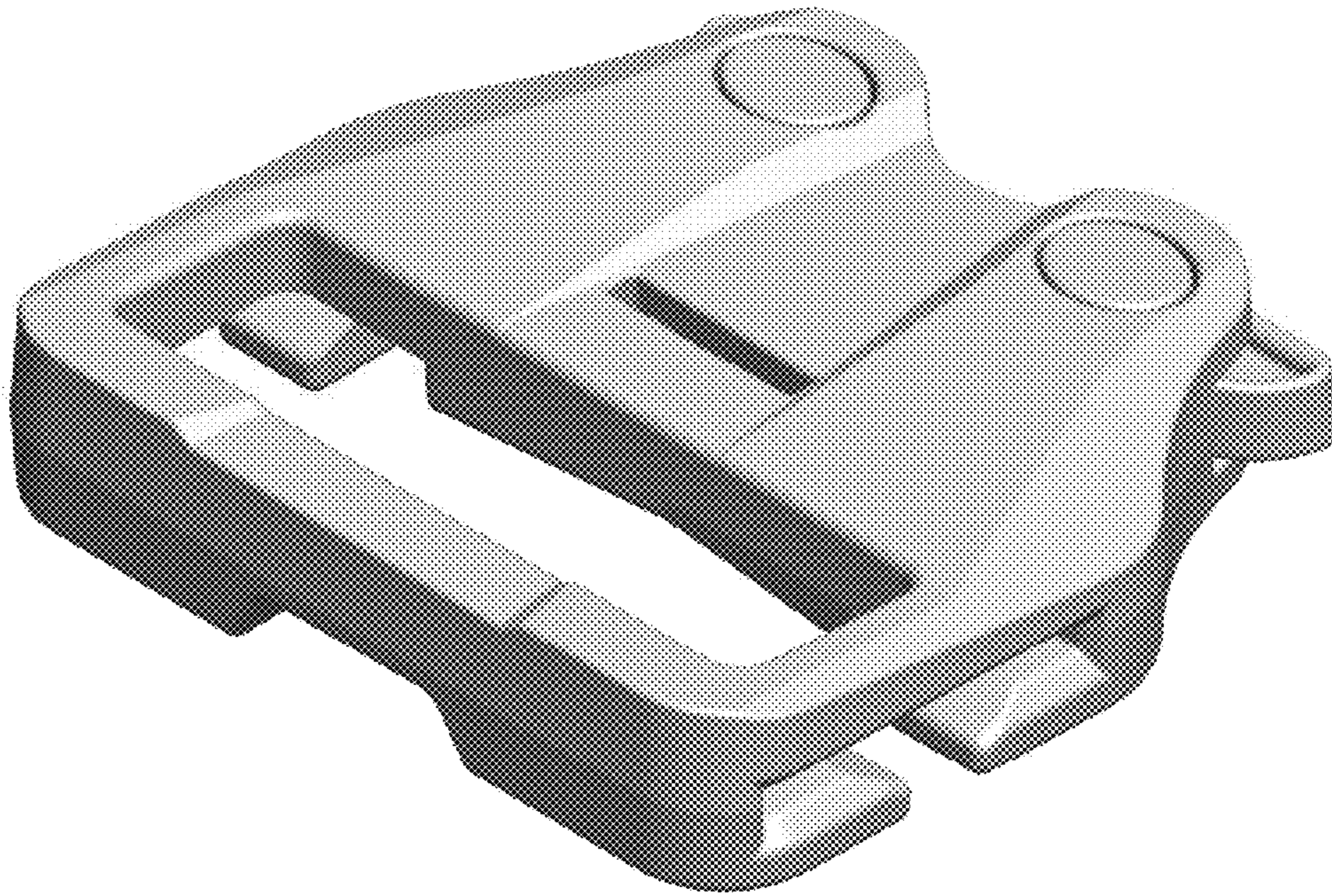


FIG. 1



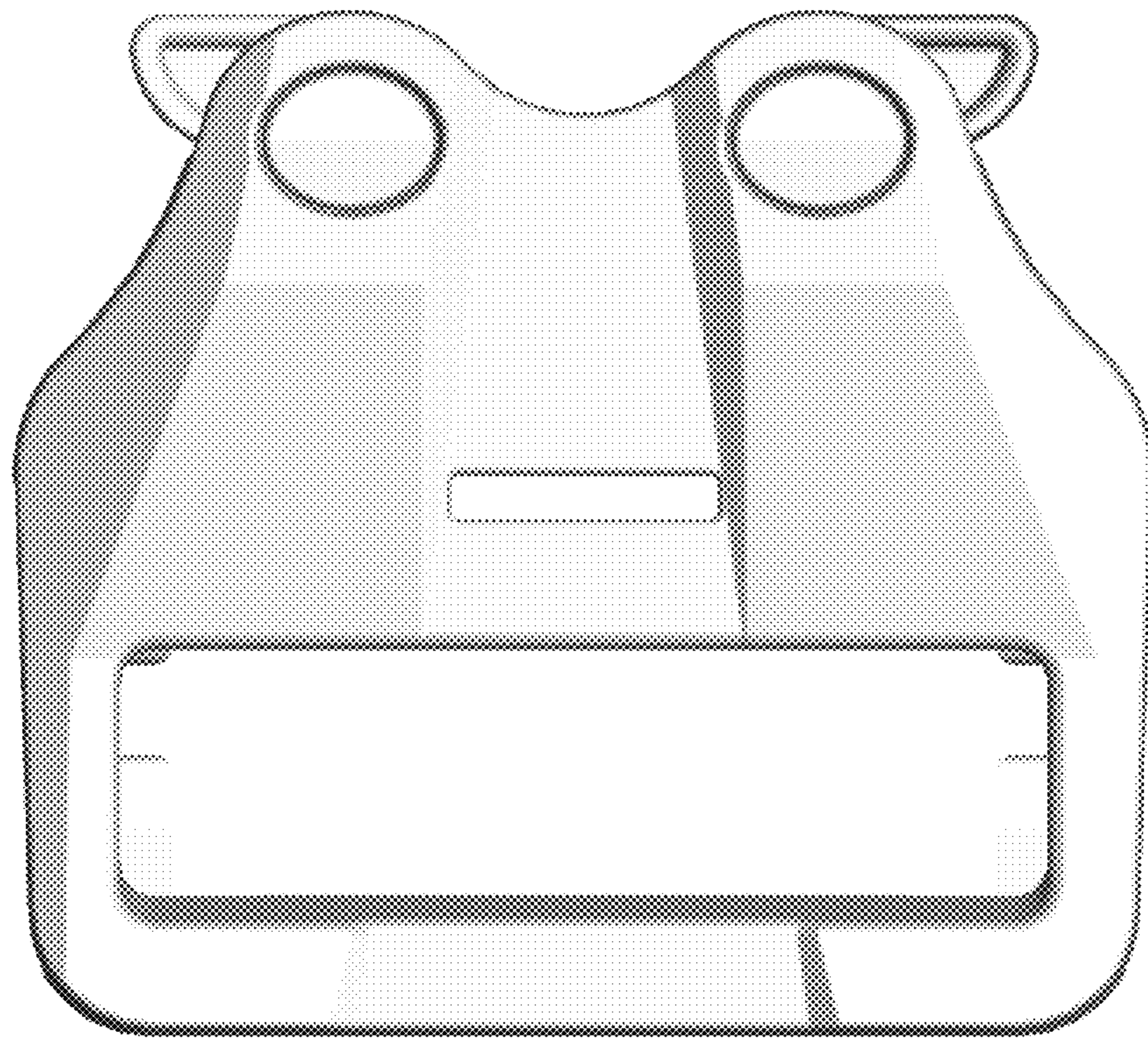


FIG. 2

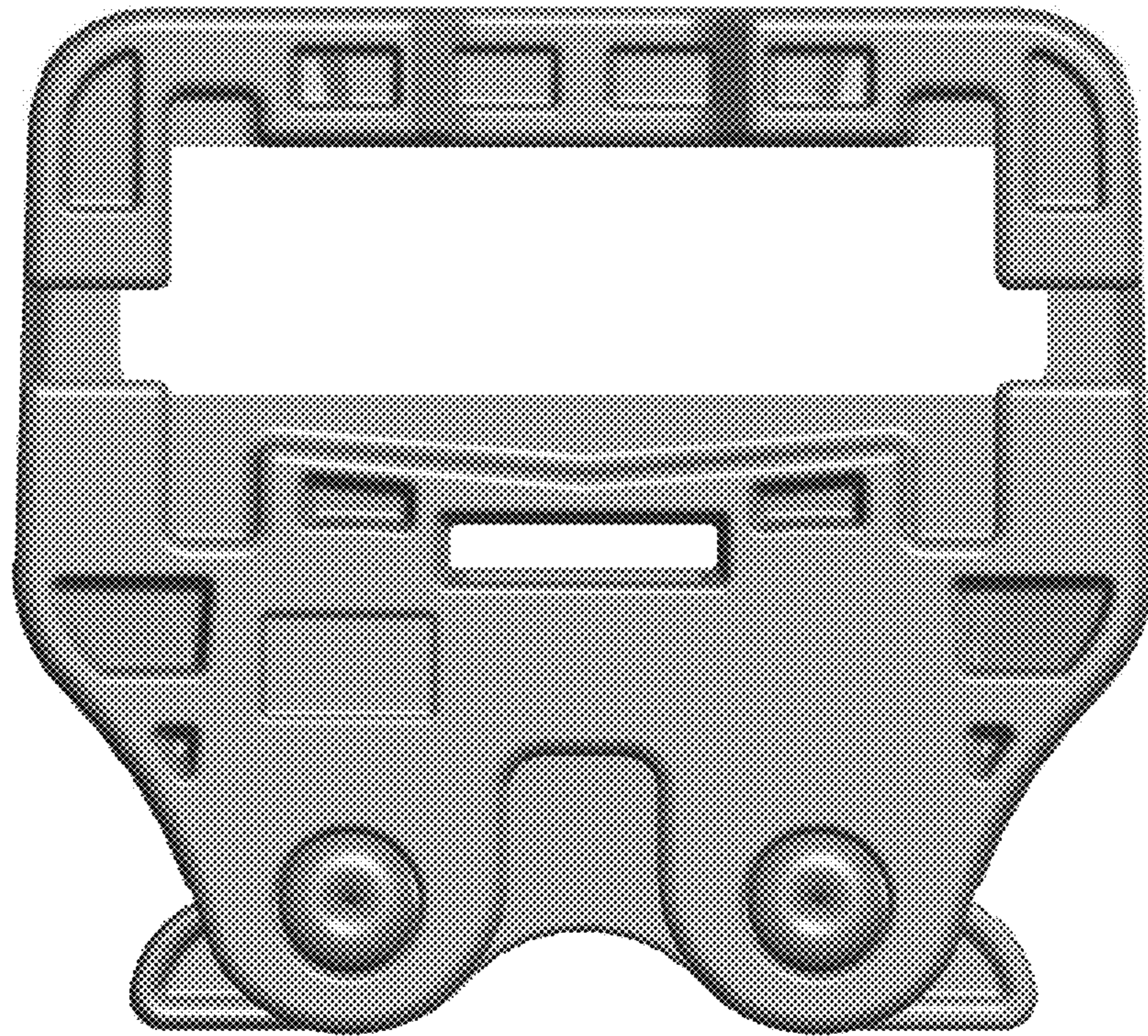


FIG. 3

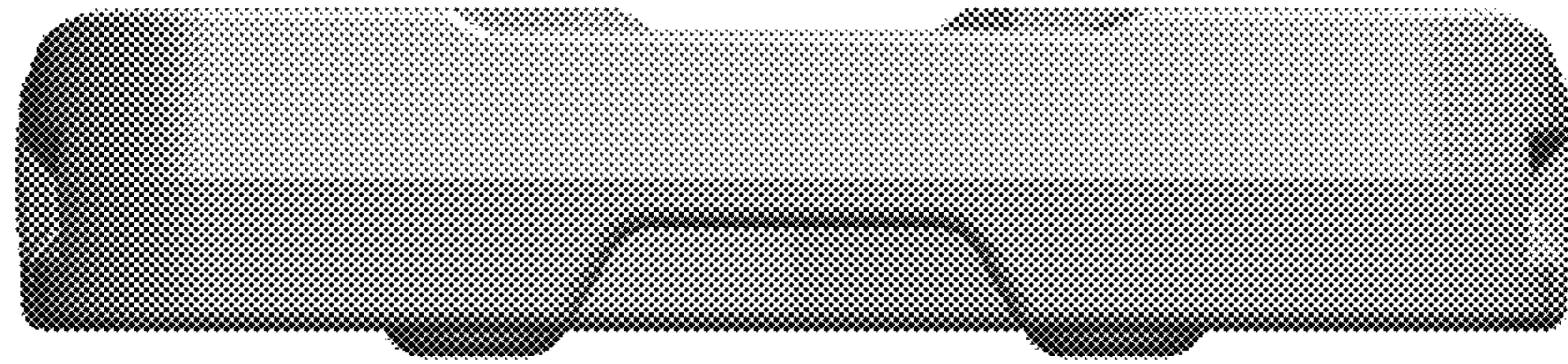


FIG. 4



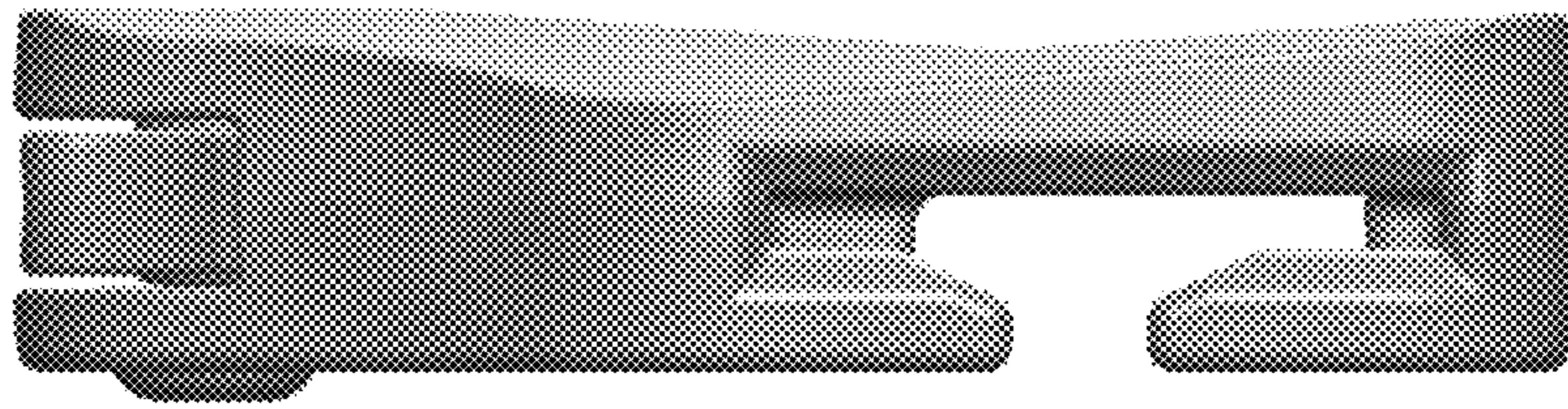


FIG. 5

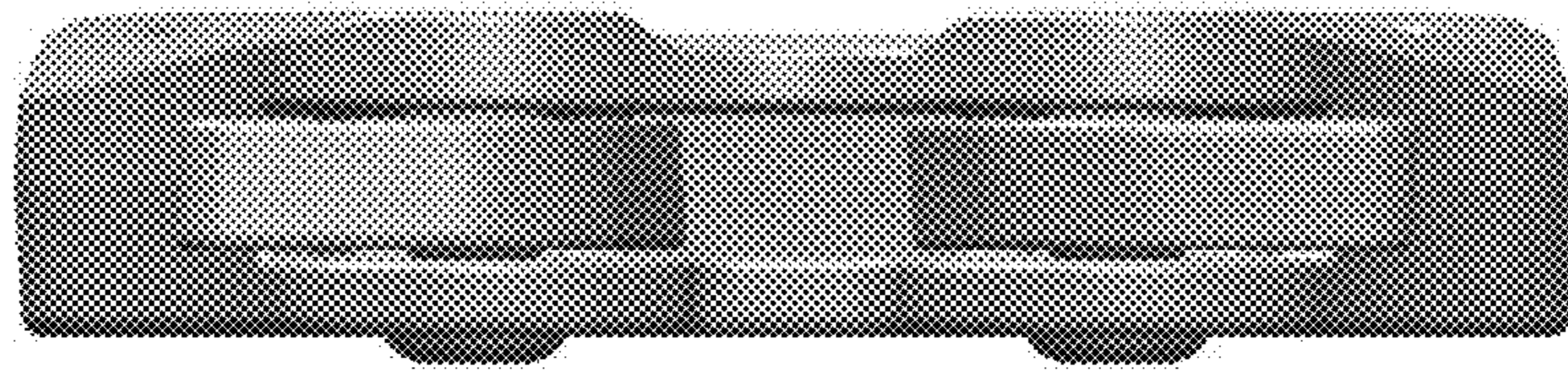


FIG. 6

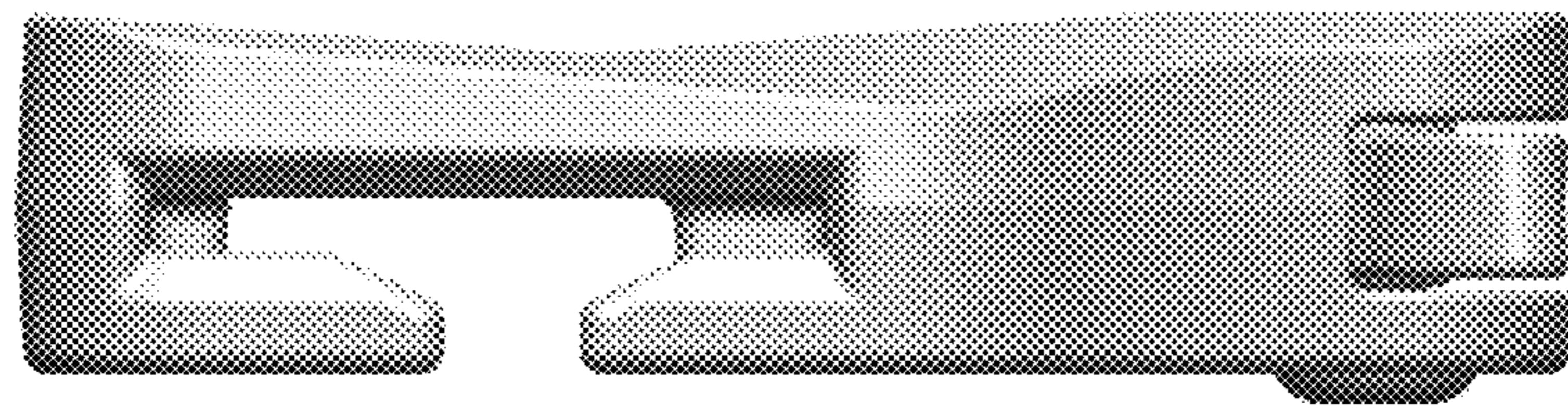


FIG. 7