



US00D710246S

(12) **United States Design Patent**
Bailey

(10) **Patent No.:** **US D710,246 S**

(45) **Date of Patent:** **** Aug. 5, 2014**

(54) **FOOTBALL SHAPED FLAG**

(71) Applicant: **Maurice Bailey**, Hoschton, GA (US)

(72) Inventor: **Maurice Bailey**, Hoschton, GA (US)

(**) Term: **14 Years**

(21) Appl. No.: **29/477,879**

(22) Filed: **Dec. 27, 2013**

(51) **LOC (10) Cl.** **11-05**

(52) **U.S. Cl.**
USPC **D11/172**; D11/166

(58) **Field of Classification Search**
USPC D11/165–183; D20/16, 17, 27, 28, 30,
D20/31, 36, 41–43; 40/218, 584, 604,
40/606.1, 606.15, 607.01, 607.03, 607.05;
116/173–175; 284/200, 218.4, 511
See application file for complete search history.

(56) **References Cited**

U.S. PATENT DOCUMENTS

D34,871 S *	7/1901	Fisher	D6/303
D36,632 S *	11/1903	Roth	D20/41
D90,933 S *	10/1933	Browne	D20/41
D102,280 S *	12/1936	Jones	D20/10
D144,886 S *	6/1946	Bair	D20/39
3,075,492 A *	1/1963	Winfrey	116/28 R
3,479,760 A *	11/1969	Snyder, Jr.	40/606.12
D229,997 S	1/1974	Hoffman		
4,057,030 A *	11/1977	Womack	116/175
4,164,087 A	8/1979	Crownover		
D259,610 S	6/1981	Martin		
4,274,127 A *	6/1981	Beck et al.	362/511
D264,064 S *	4/1982	Ornatek	D11/166
D265,078 S *	6/1982	Ornatek	D11/166
D281,407 S *	11/1985	Gustafsson	D11/181
5,363,607 A *	11/1994	Turturro	52/40
5,540,017 A *	7/1996	Eilam et al.	52/118

D404,770 S *	1/1999	Meade et al.	D20/24
D419,604 S *	1/2000	Emmett	D20/10
D432,173 S *	10/2000	Baker	D20/17
D439,619 S *	3/2001	Swann	D20/42
D443,228 S *	6/2001	Olinger	D11/133
6,240,568 B1 *	6/2001	Lee	2/209.13
D477,367 S *	7/2003	Gaines et al.	D20/17
D483,418 S *	12/2003	Carr et al.	D21/376
D488,610 S	4/2004	Coleman		
D492,633 S	7/2004	Wales		
D494,998 S *	8/2004	Blanke, Jr.	D19/3
6,808,098 B1 *	10/2004	Bickett et al.	224/512
D525,904 S *	8/2006	Killen et al.	D11/168
D528,929 S	9/2006	Oliver, Jr.		
D534,478 S	1/2007	Valeri		

(Continued)

Primary Examiner — Karen S Acker

(74) *Attorney, Agent, or Firm* — Brient Globerman, LLC

(57) **CLAIM**

I claim the ornamental design for a football shaped flag, as shown and described.

DESCRIPTION

FIG. 1 is a perspective view of a flag embodying the design of the present invention.

FIG. 2 is a front view of the flag shown in FIG. 1.

FIG. 3 is a back view of the flag shown in FIG. 1.

FIG. 4 is a right side view of the flag shown in FIG. 1.

FIG. 5 is a left side view of the flag shown in FIG. 1.

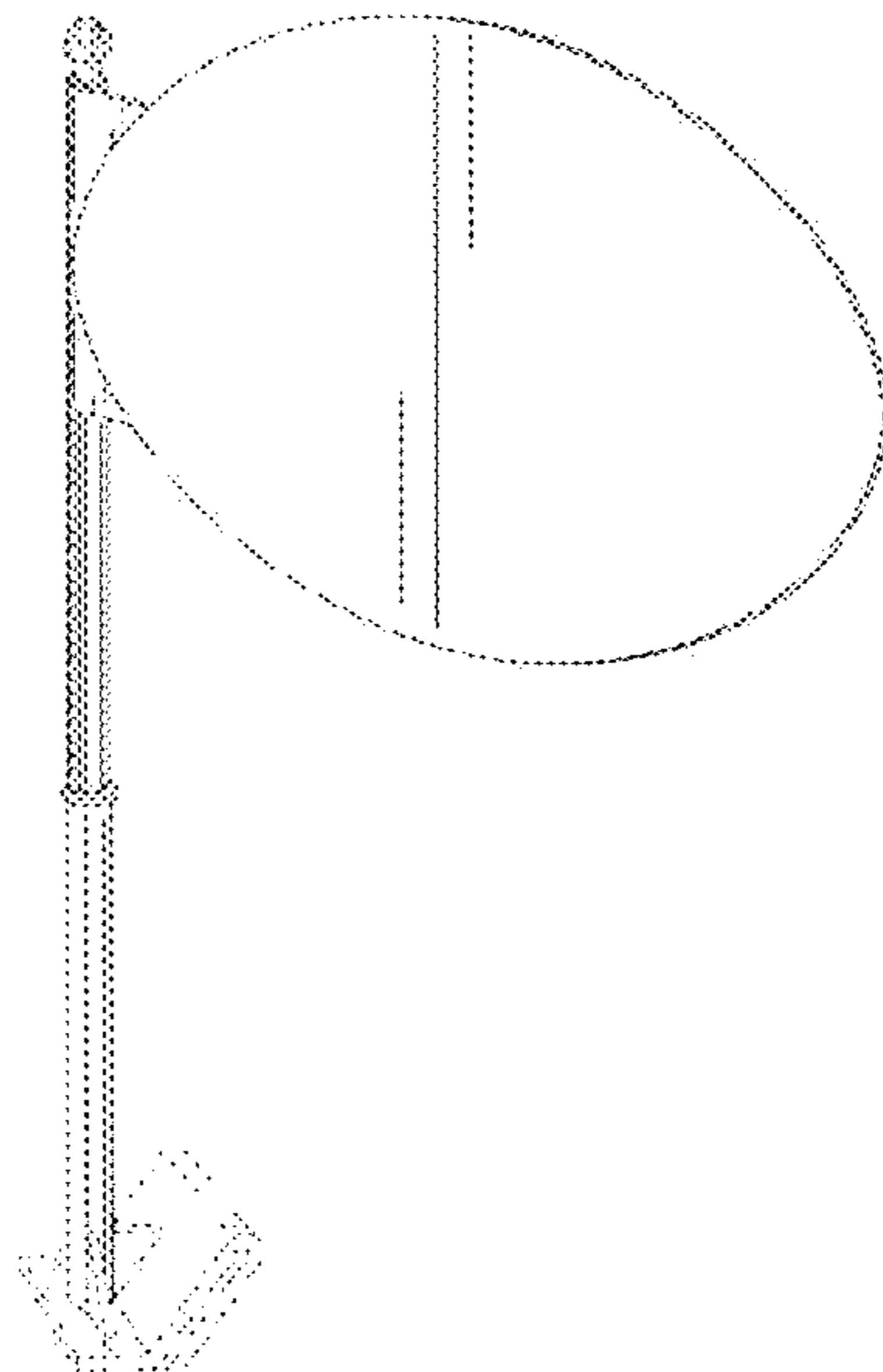
FIG. 6 is a top view of the flag shown in FIG. 1.

FIG. 7 is a bottom view of the flag shown in FIG. 1; and,

FIG. 8 is a perspective view of the football shaped flag shown in FIG. 1 in an unclaimed environment of use installed on an unclaimed car window.

The broken lines in the drawings represent unclaimed environmental subject matter and form no part of the claimed design.

1 Claim, 6 Drawing Sheets



(56)

References Cited

U.S. PATENT DOCUMENTS

D550,314 S 9/2007 Lauderdale et al.
D551,721 S 9/2007 Cooper
D562,407 S * 2/2008 Graziani D20/41
D573,790 S 7/2008 Eisenbraun
D580,817 S 11/2008 Zarzaur
D581,833 S 12/2008 Oakley
D591,667 S 5/2009 Valeri

7,637,226 B1 * 12/2009 Bradley 116/28 R
D625,364 S * 10/2010 Edwards D20/99
7,942,108 B2 * 5/2011 Sherrod 116/173
D647,973 S * 11/2011 Kaoh D20/18
8,296,979 B2 * 10/2012 Pereira et al. 40/591
8,544,788 B1 * 10/2013 Capper 244/33
2003/0069097 A1 4/2003 Guenther et al.
2003/0172567 A1 * 9/2003 Zentner et al. 40/591
2005/0217557 A1 * 10/2005 Caetano et al. 116/28 R
2012/0012015 A1 * 1/2012 Shaw 100/265

* cited by examiner

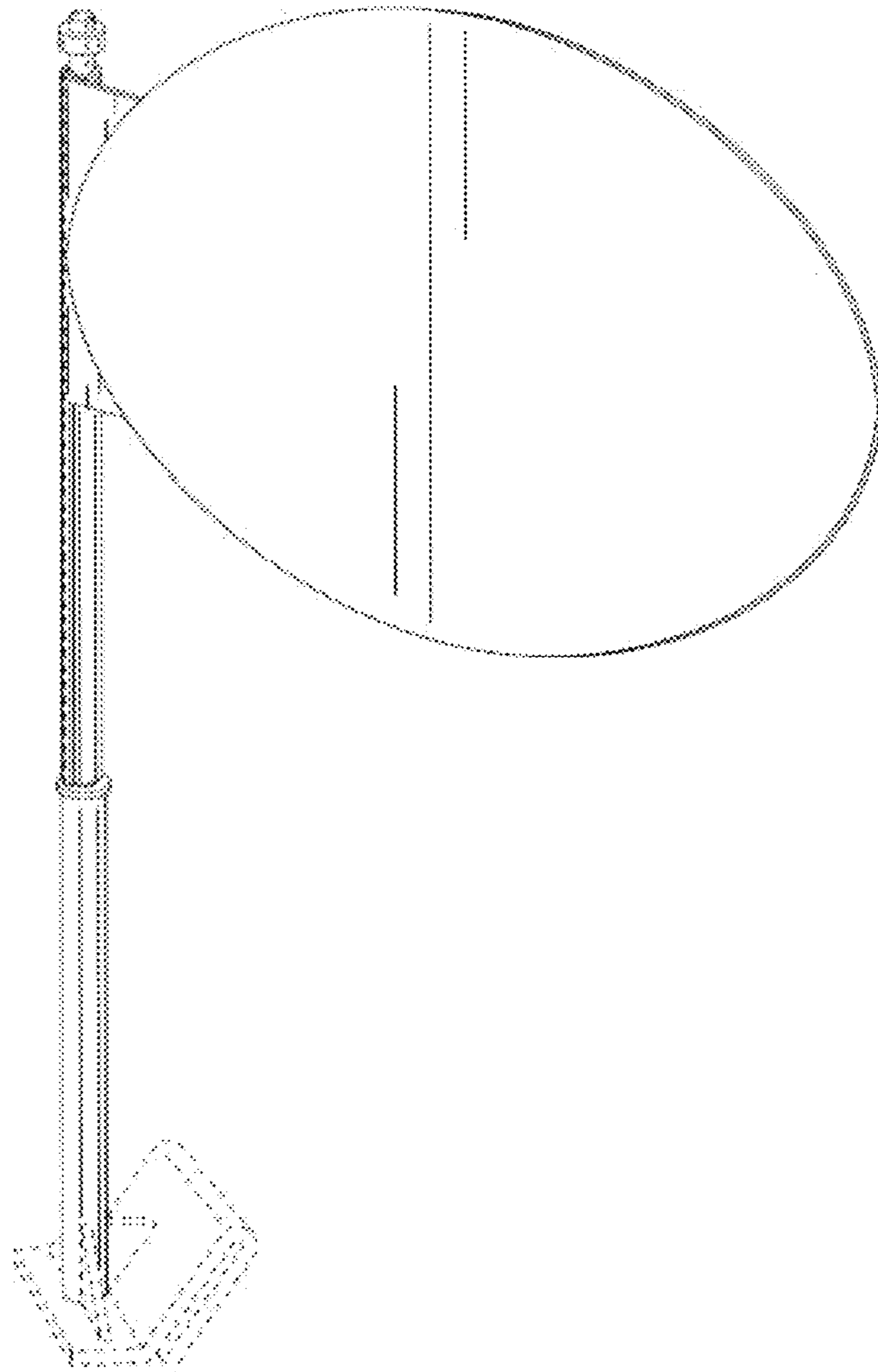


Figure 1

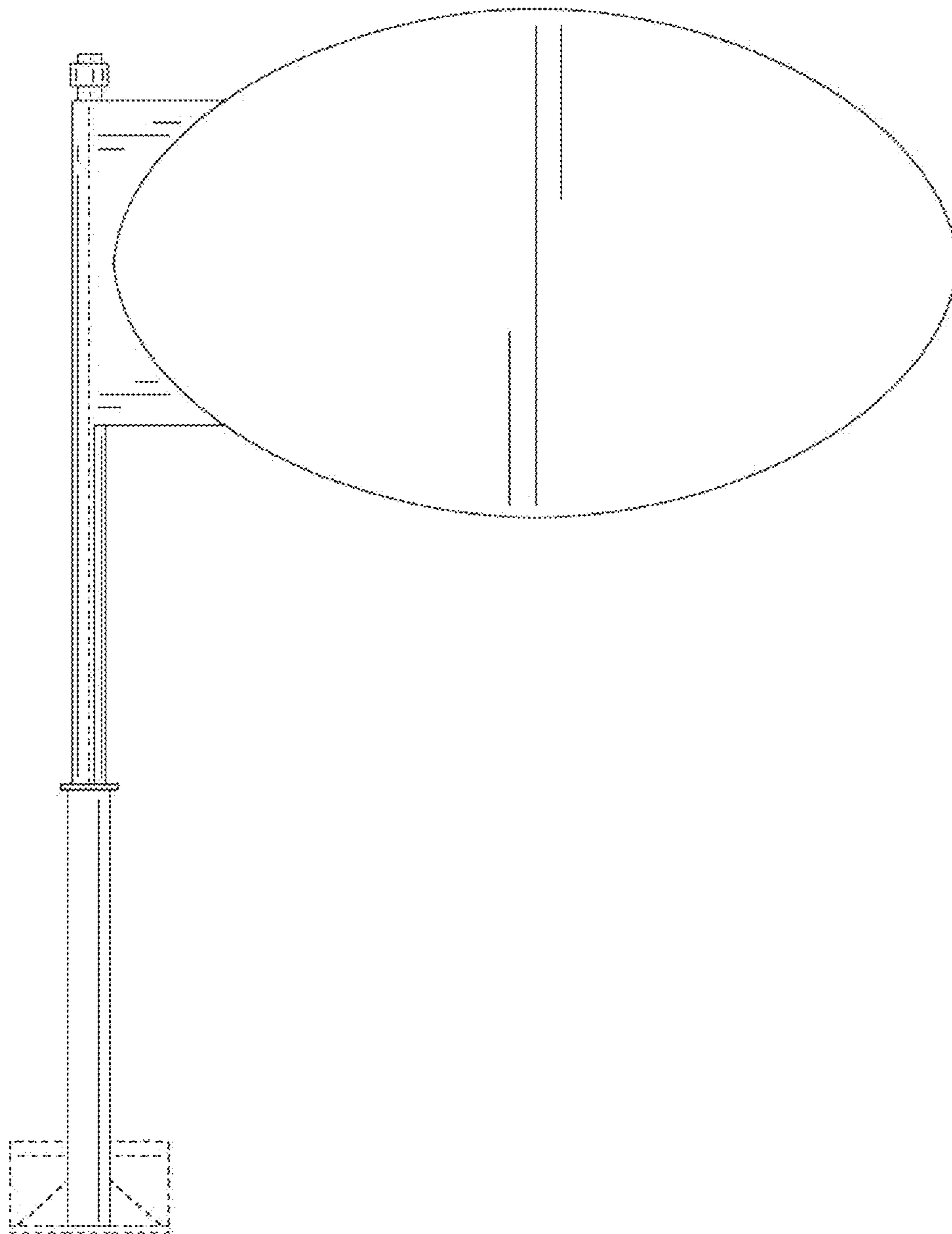


Figure 2

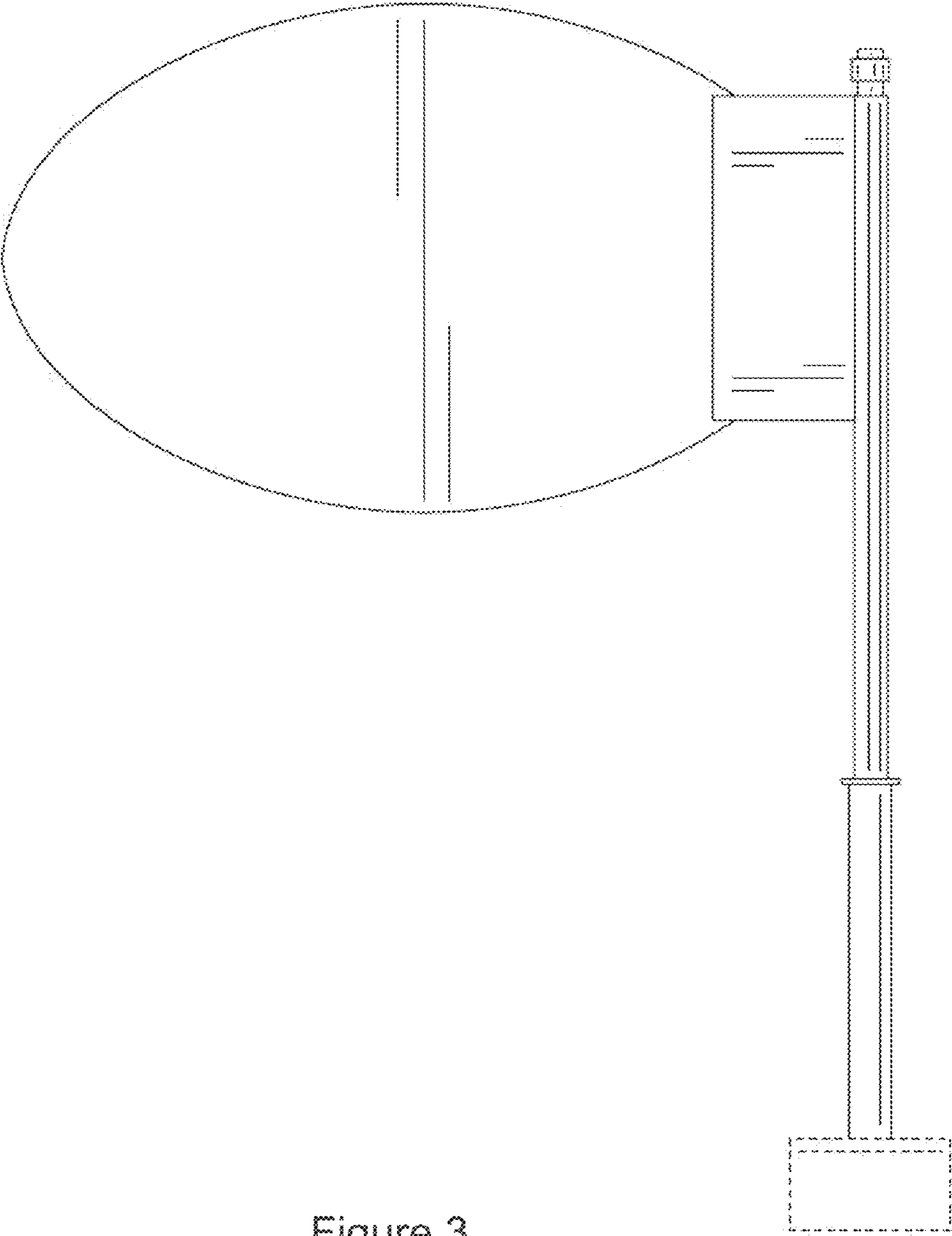


Figure 3

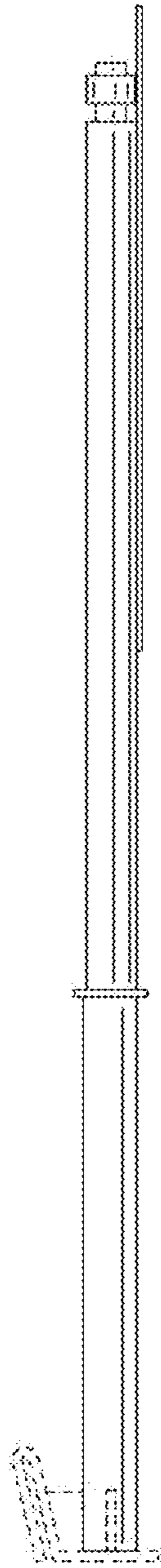


Figure 4

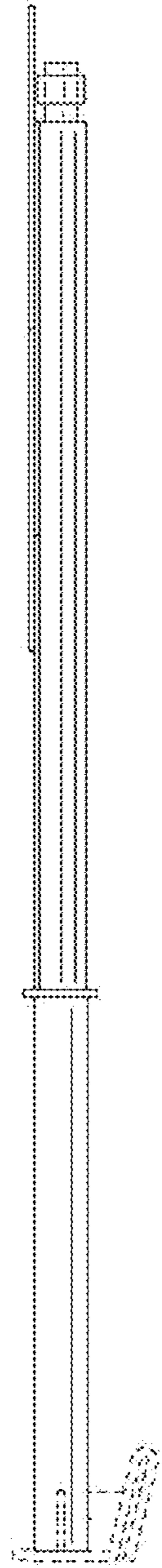


Figure 5



Figure 6

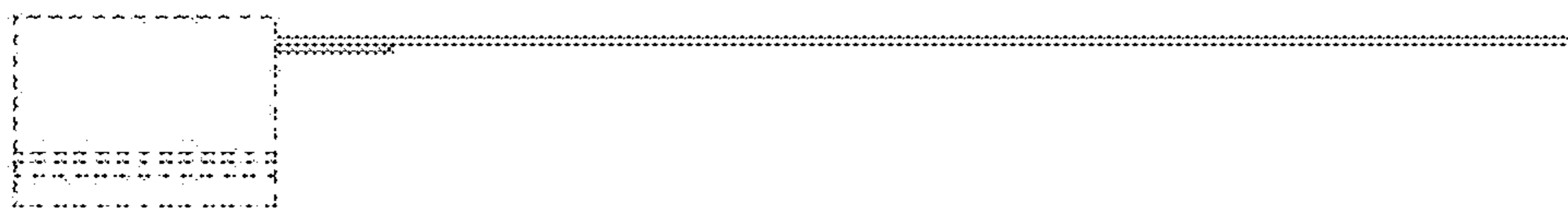


Figure 7

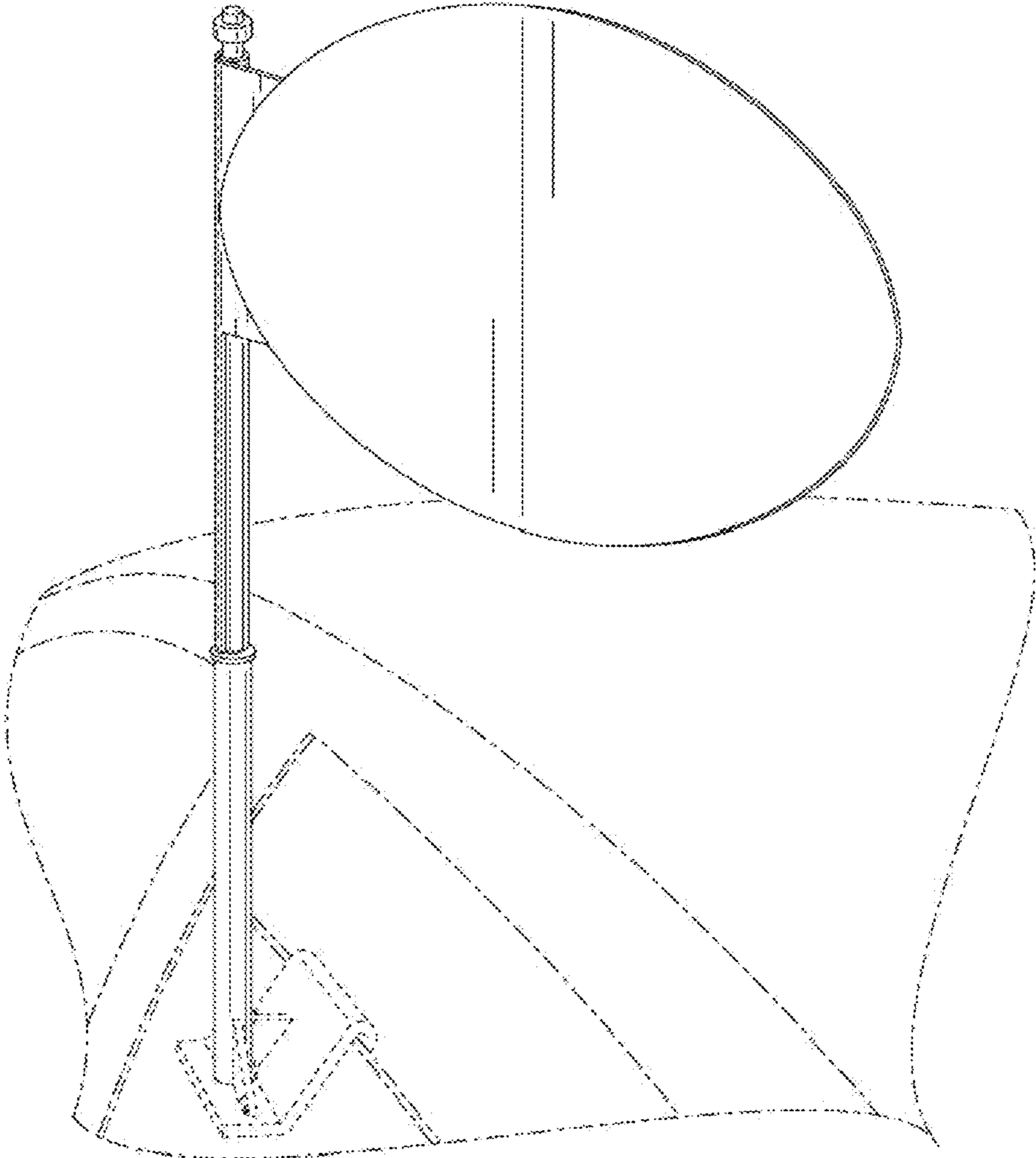


Figure 8