



US00D710245S

(12) **United States Design Patent**  
**Mast**

(10) **Patent No.:** **US D710,245 S**

(45) **Date of Patent:** **\*\* Aug. 5, 2014**

(54) **RAILING-MOUNTABLE PLANT POT**

(71) Applicant: **Bloem, LLC**, Hudsonville, MI (US)

(72) Inventor: **Ryan J. Mast**, Hudsonville, MI (US)

(73) Assignee: **Bloem, LLC**, Hudsonville, MI (US)

(\*\*) Term: **14 Years**

(21) Appl. No.: **29/461,720**

(22) Filed: **Jul. 26, 2013**

(51) **LOC (10) Cl.** ..... **11-02**

(52) **U.S. Cl.**  
USPC ..... **D11/155**

(58) **Field of Classification Search**

USPC ..... D6/403-405, 556-558; D11/143-156,  
D11/164; D19/77, 80, 81, 84; D26/9-11,  
D26/16, 19; D34/1, 2, 4-6; D99/5, 19;  
47/17, 32.4, 32.5, 32.7, 33, 39, 41.01,  
47/41.1, 41.11-41.15, 44-47, 63, 65.5,  
47/65.9, 66.1, 66.2, 66.6, 66.7, 67-71

See application file for complete search history.

(56) **References Cited**

**U.S. PATENT DOCUMENTS**

D296,088 S \* 6/1988 Pouliot ..... D11/155  
D296,089 S \* 6/1988 Pouliot ..... D11/156  
D367,243 S \* 2/1996 McAllister ..... D11/152

(Continued)

**OTHER PUBLICATIONS**

Mount Deck & Fence Railing Planter by Apollo Plastics dated Dec. 12, 2009. found online [Jan. 8, 2014] <http://www.amazon.com/Apollo-Plastics-D2X6-TERRA-Railing-Planter/dp/B000N5KWJQ>.\*

(Continued)

*Primary Examiner* — Robert M Spear

*Assistant Examiner* — Marissa Cash

(74) *Attorney, Agent, or Firm* — Gardner, Linn, Burkhart & Flory, LLP

(57) **CLAIM**

The ornamental design for a railing-mountable plant pot, as shown and described.

**DESCRIPTION**

FIG. 1 is a top perspective view of a railing-mountable plant pot showing my new design;

FIG. 2 is another top perspective view of the railing-mountable plant pot of FIG. 1, shown mounted on a railing and containing a plant;

FIG. 3 is a side elevation of the plant pot of FIG. 1, with the opposite side not shown but being identical to what is shown in FIG. 3;

FIG. 4 is an end elevation of the plant pot of FIG. 1, with the opposite end not shown but being identical to what is shown in FIG. 4;

FIG. 5 is a top plan view of the railing-mountable plant pot of FIG. 1;

FIG. 6 is a bottom plan view of the railing-mountable plant pot of FIG. 1;

FIG. 7 is a top perspective view of another railing-mountable plant pot showing my new design;

FIG. 8 is a side elevation of the plant pot of FIG. 7, with the opposite side not shown but being identical to what is shown in FIG. 8;

FIG. 9 is an end elevation of the plant pot of FIG. 7, with the opposite end not shown but being identical to what is shown in FIG. 9;

FIG. 10 is a top plan view of the railing-mountable plant pot of FIG. 7; and,

FIG. 11 is a bottom plan view of the railing-mountable plant pot of FIG. 7.

The broken lines are included for the purpose of illustrating environmental structure and portions of the railing mountable plant pot that form no part of the claimed design.

**1 Claim, 7 Drawing Sheets**

(56)

**References Cited**

U.S. PATENT DOCUMENTS

D368,234 S \* 3/1996 Dickinson et al. .... D11/152  
D385,213 S \* 10/1997 McAllister ..... D11/156  
D422,936 S \* 4/2000 Tsou ..... D11/152  
D530,838 S \* 10/2006 Adams ..... D26/9  
8,312,674 B2 \* 11/2012 Adams ..... 47/79

OTHER PUBLICATIONS

Bridge Planters by Urban Allotments dated 2012. found online [Jan. 8, 2014] <http://www.urban-allotments.com/Pots-and-Troughs-Modern-Bridge-Planters/182-PD/default.html>.\*

Modica Rail Planter by Bloem dated 2013. found online [Jan. 8, 2014] <http://bloemliving.com/modica-rail-planter/>.\*

\* cited by examiner

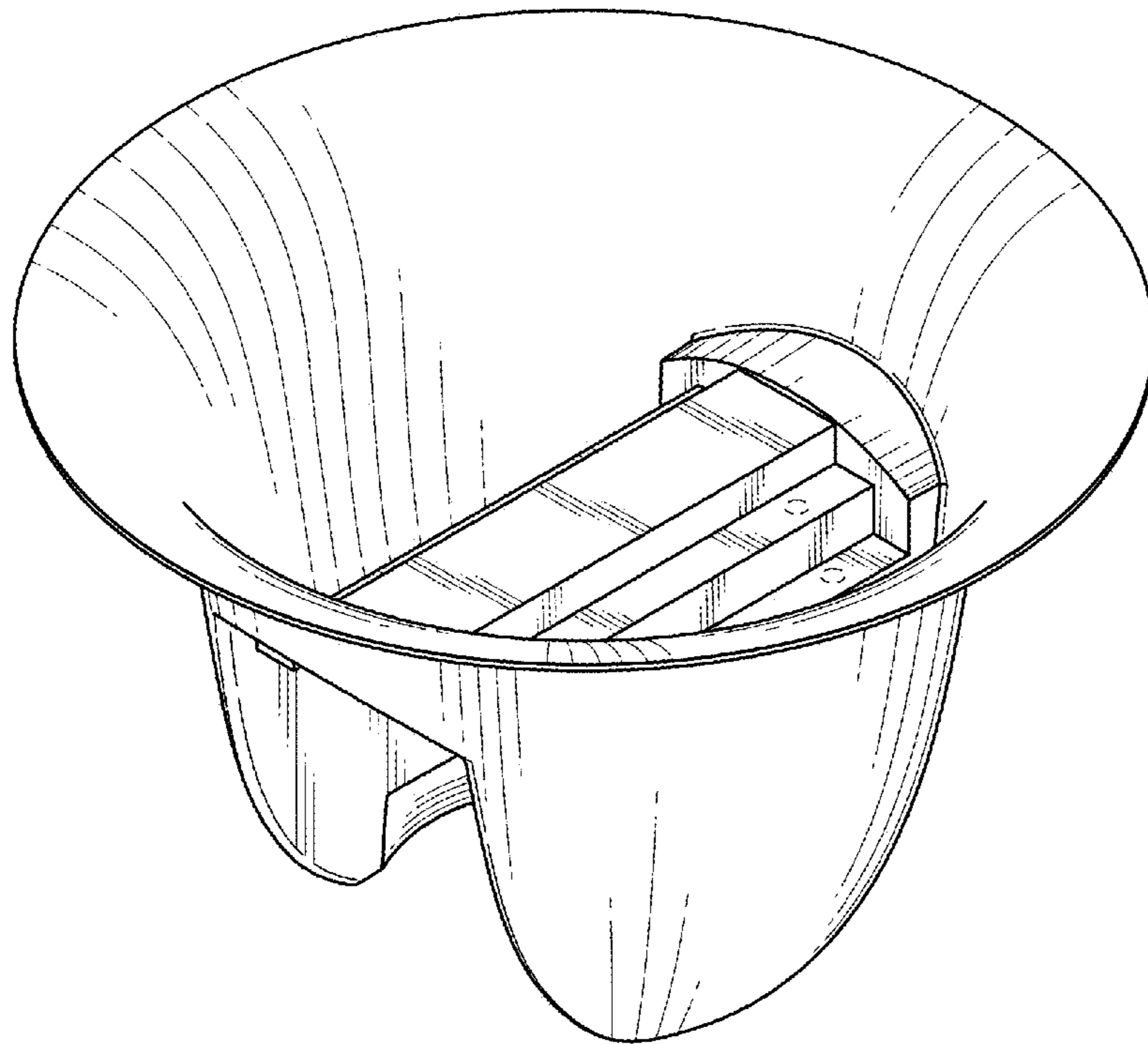


FIG. 1

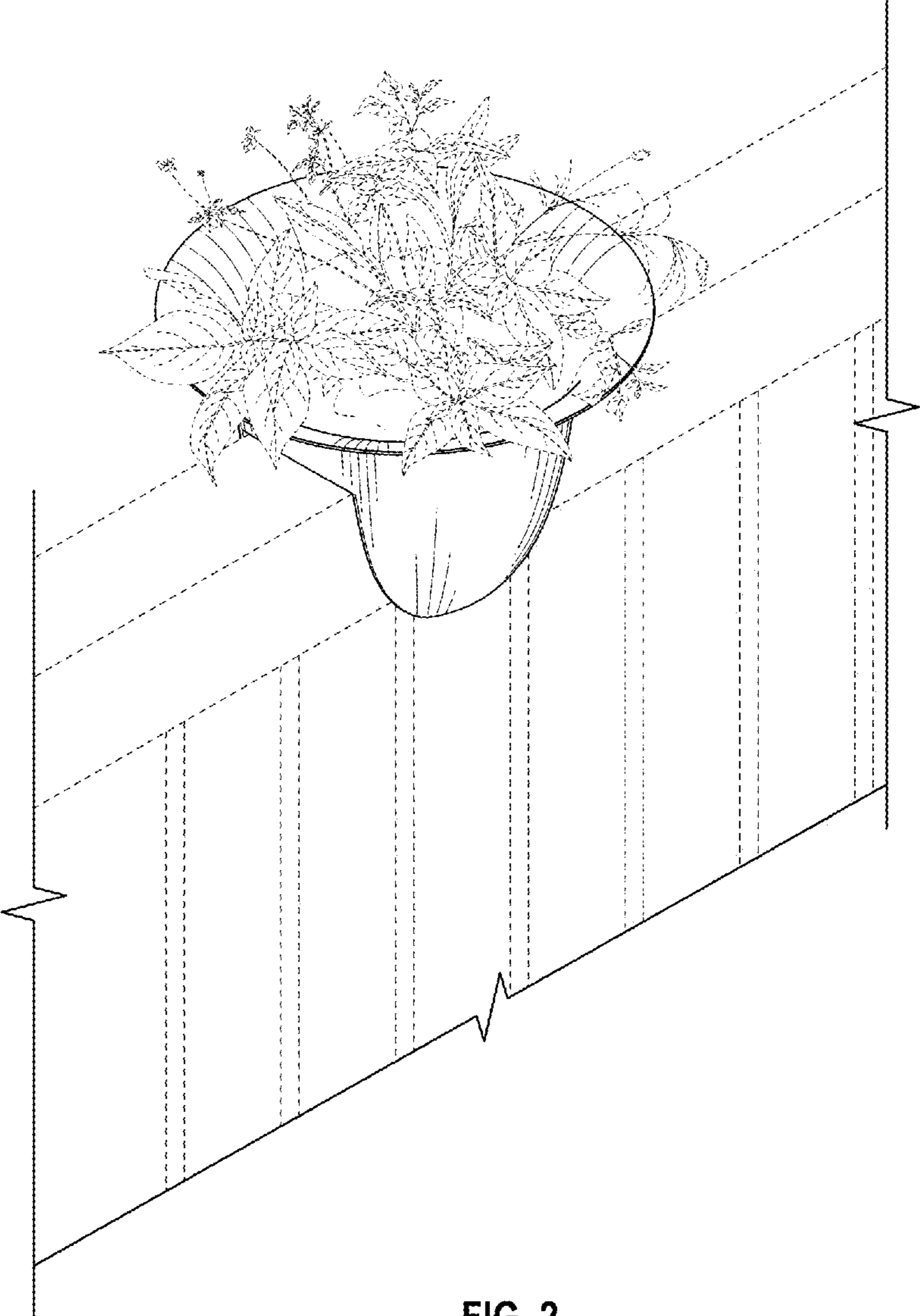


FIG. 2

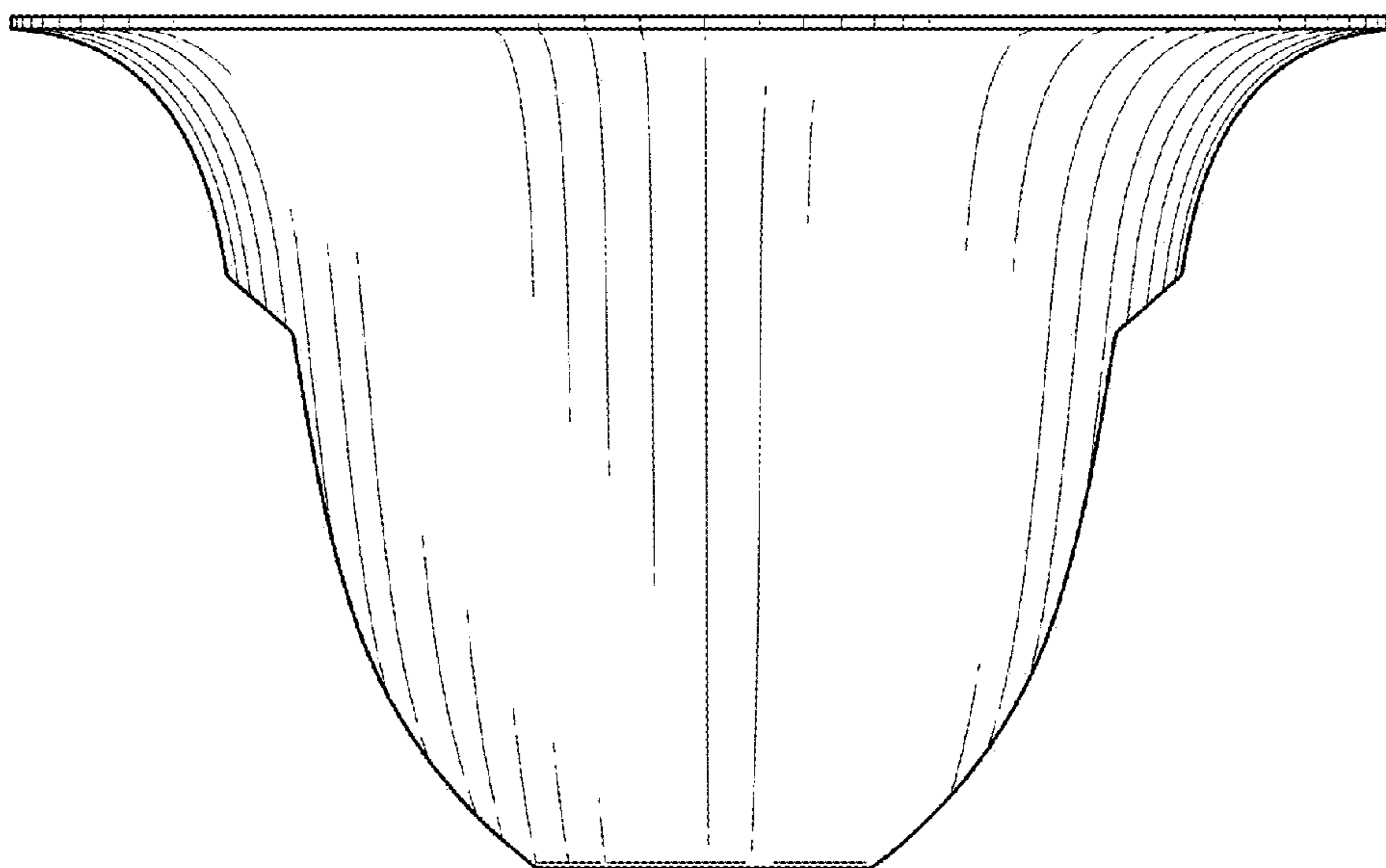


FIG. 3

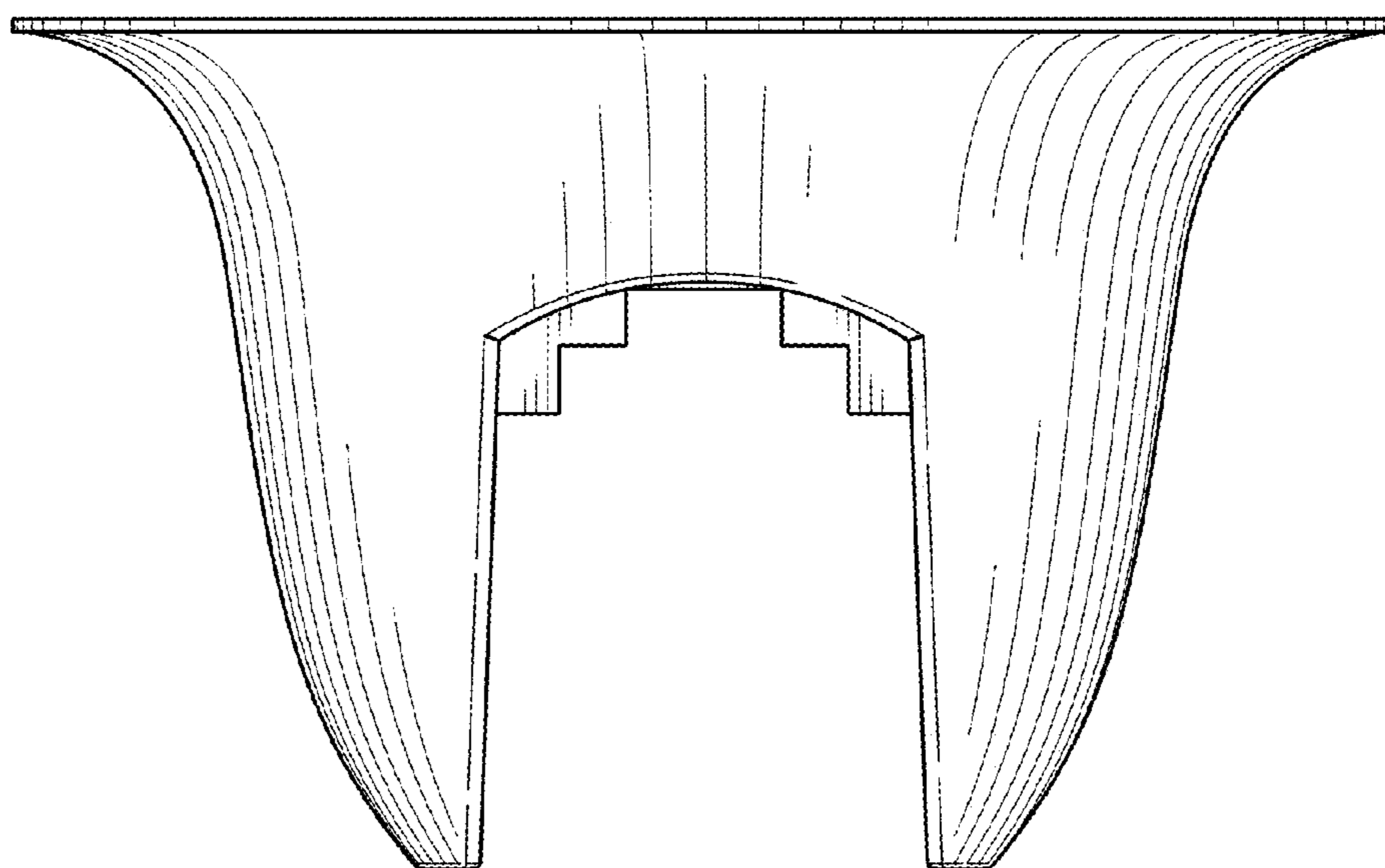


FIG. 4



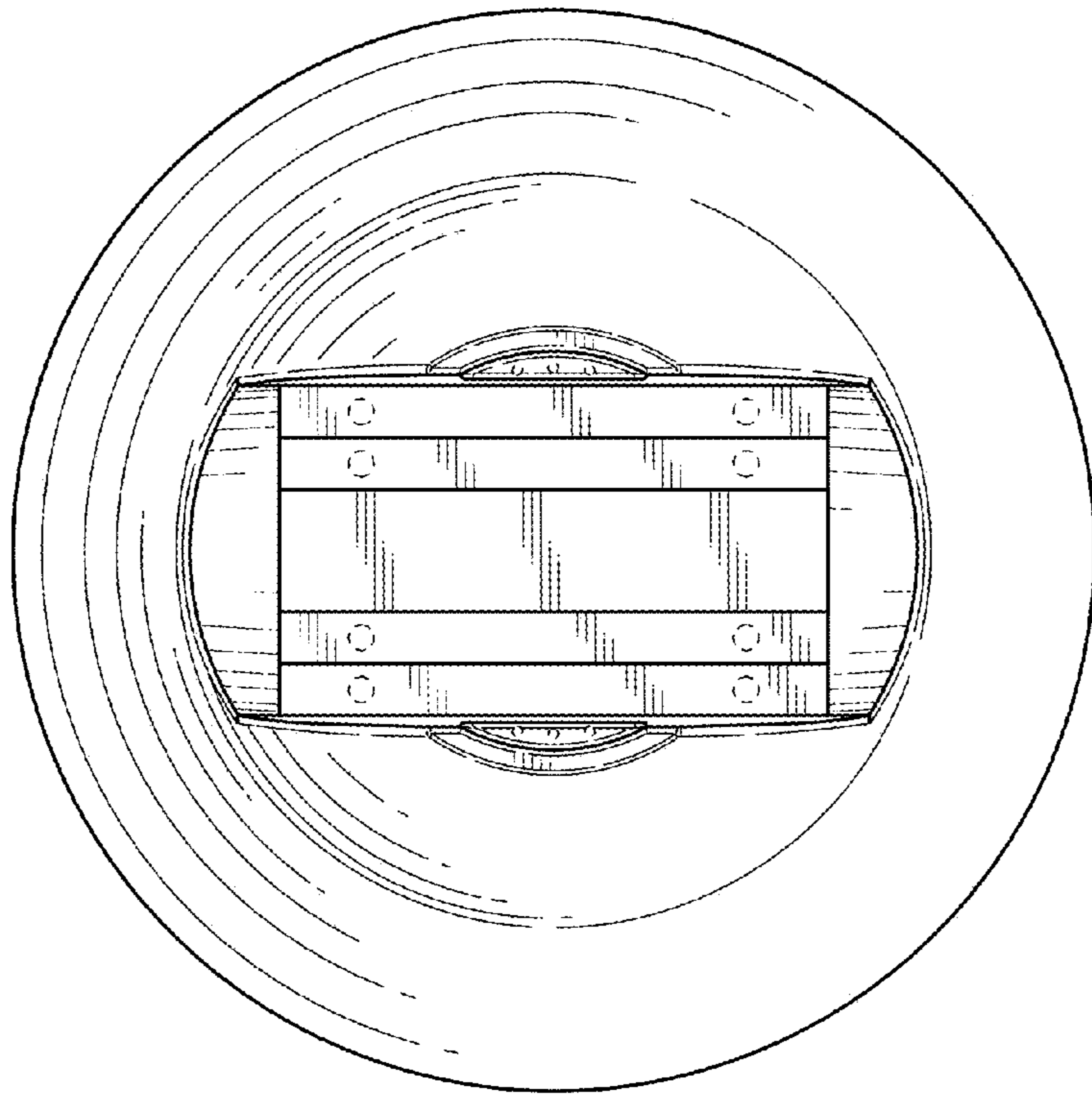


FIG. 5

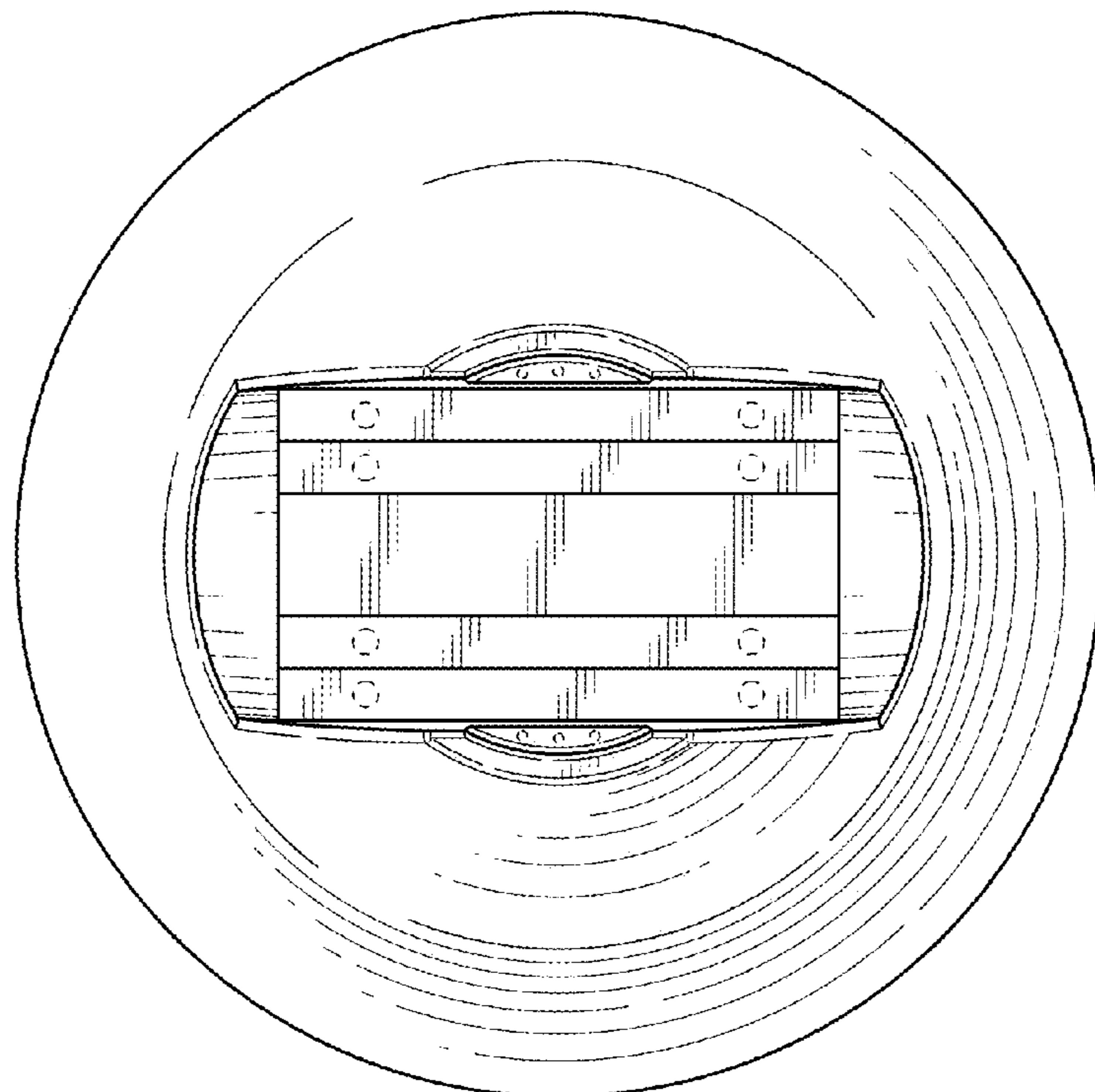


FIG. 6

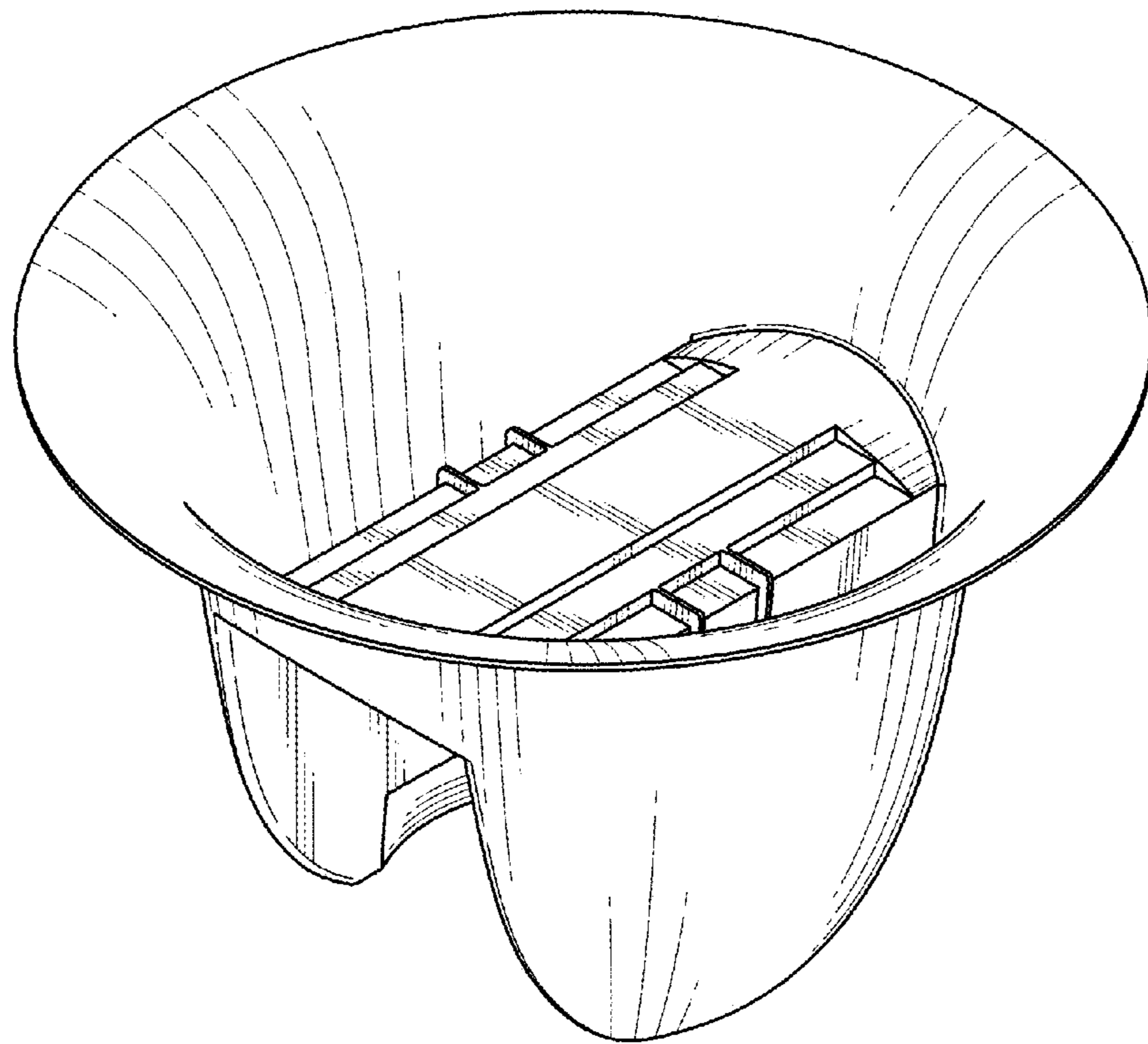


FIG. 7

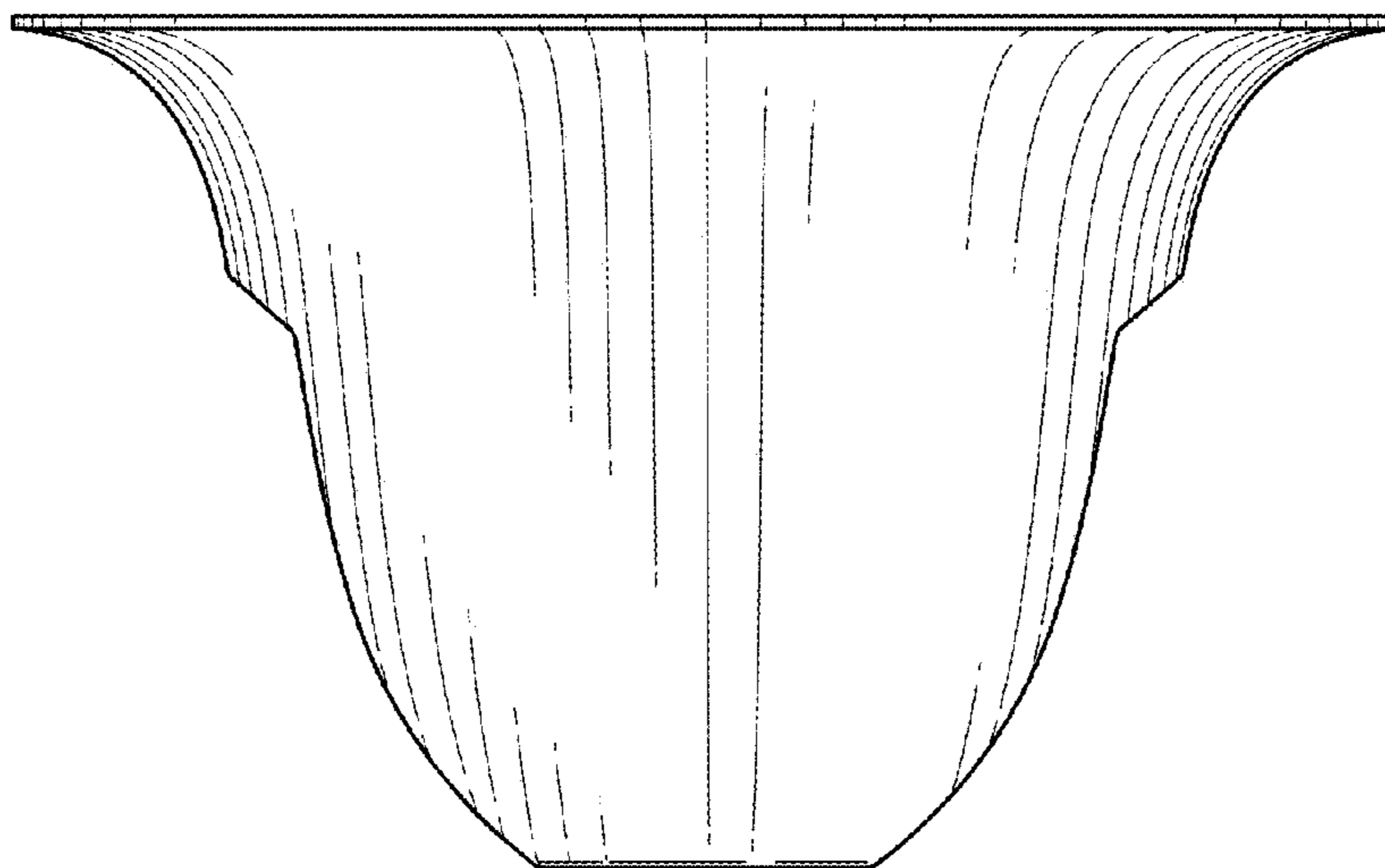


FIG. 8

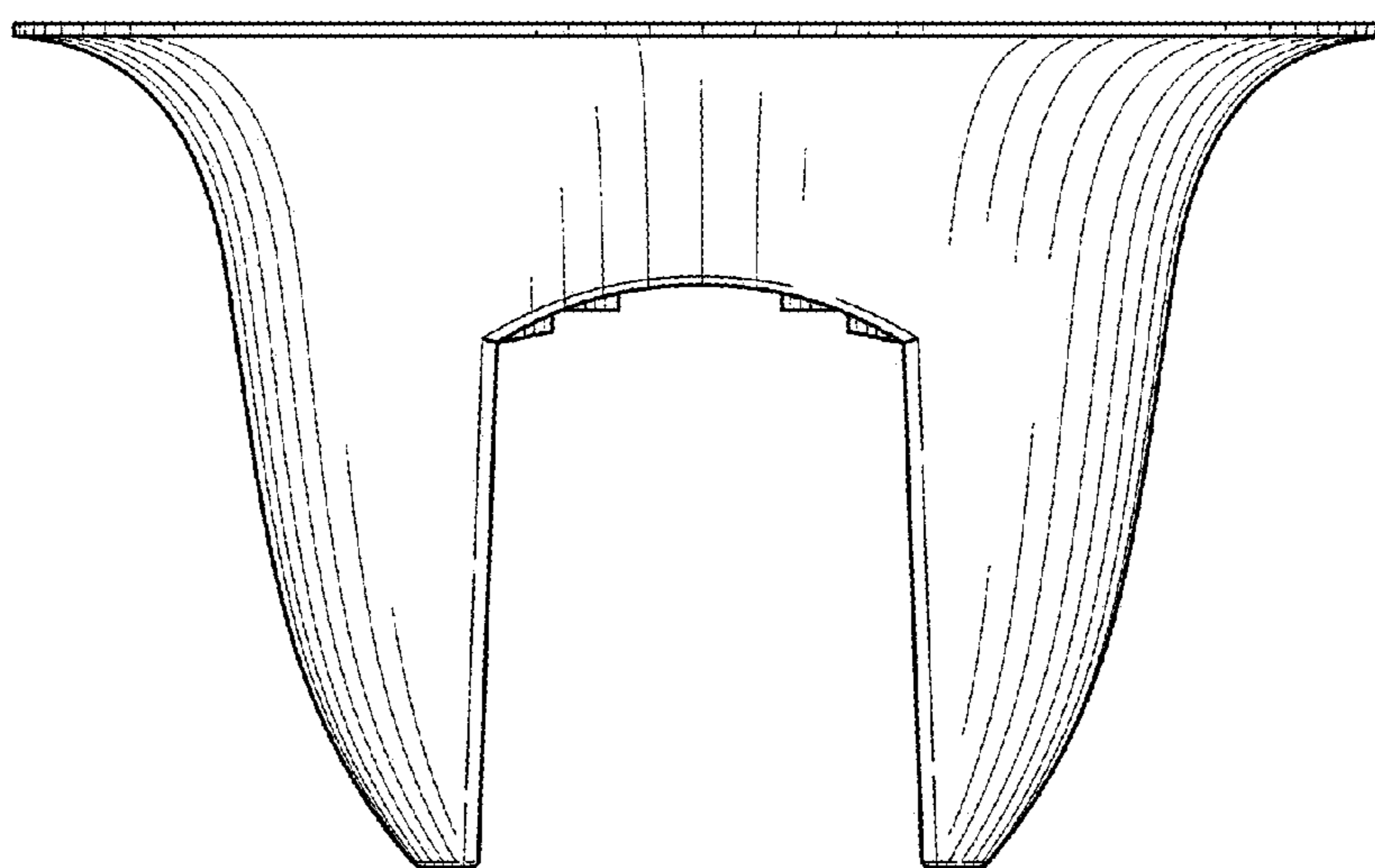


FIG. 9



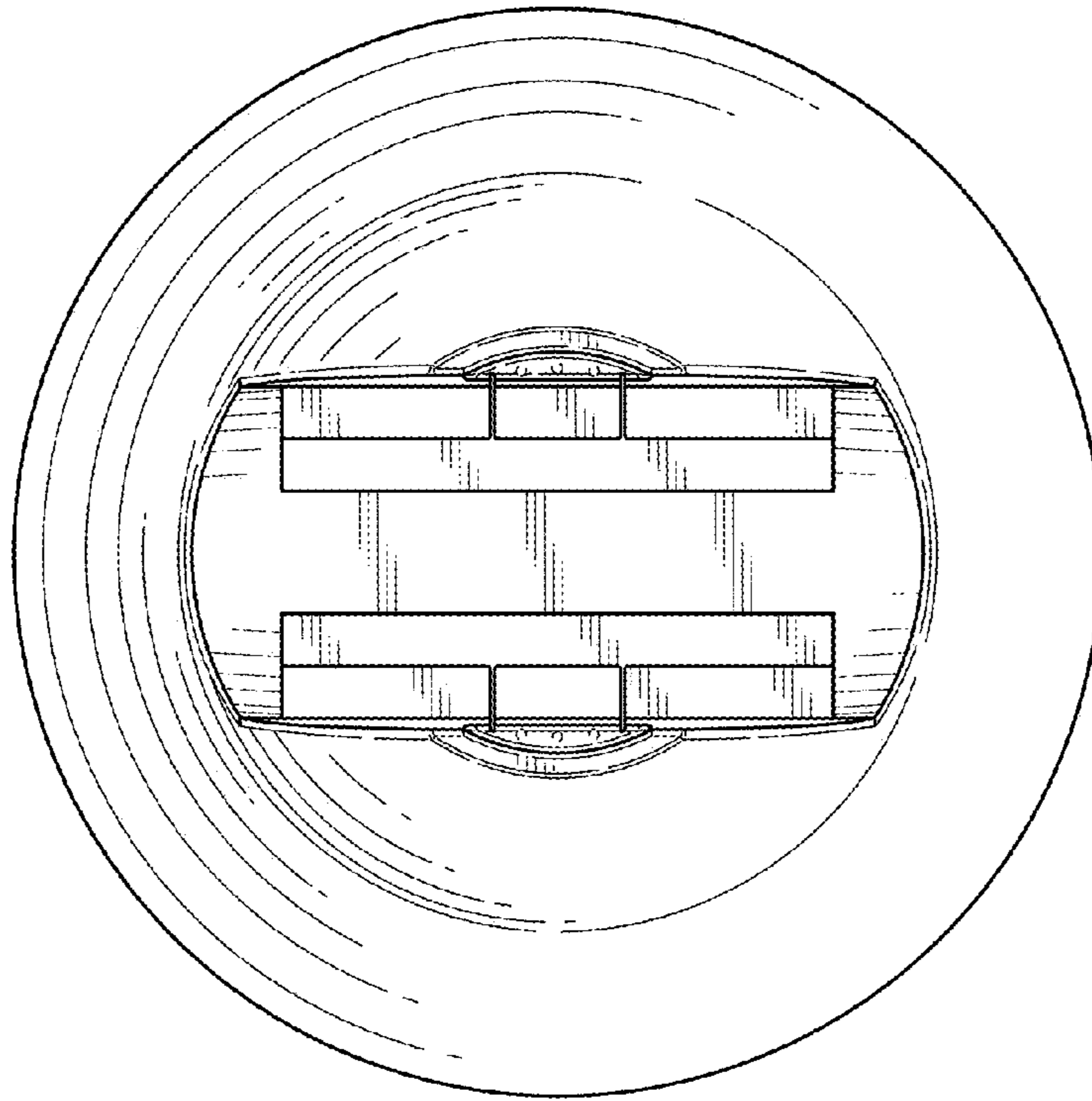


FIG. 10

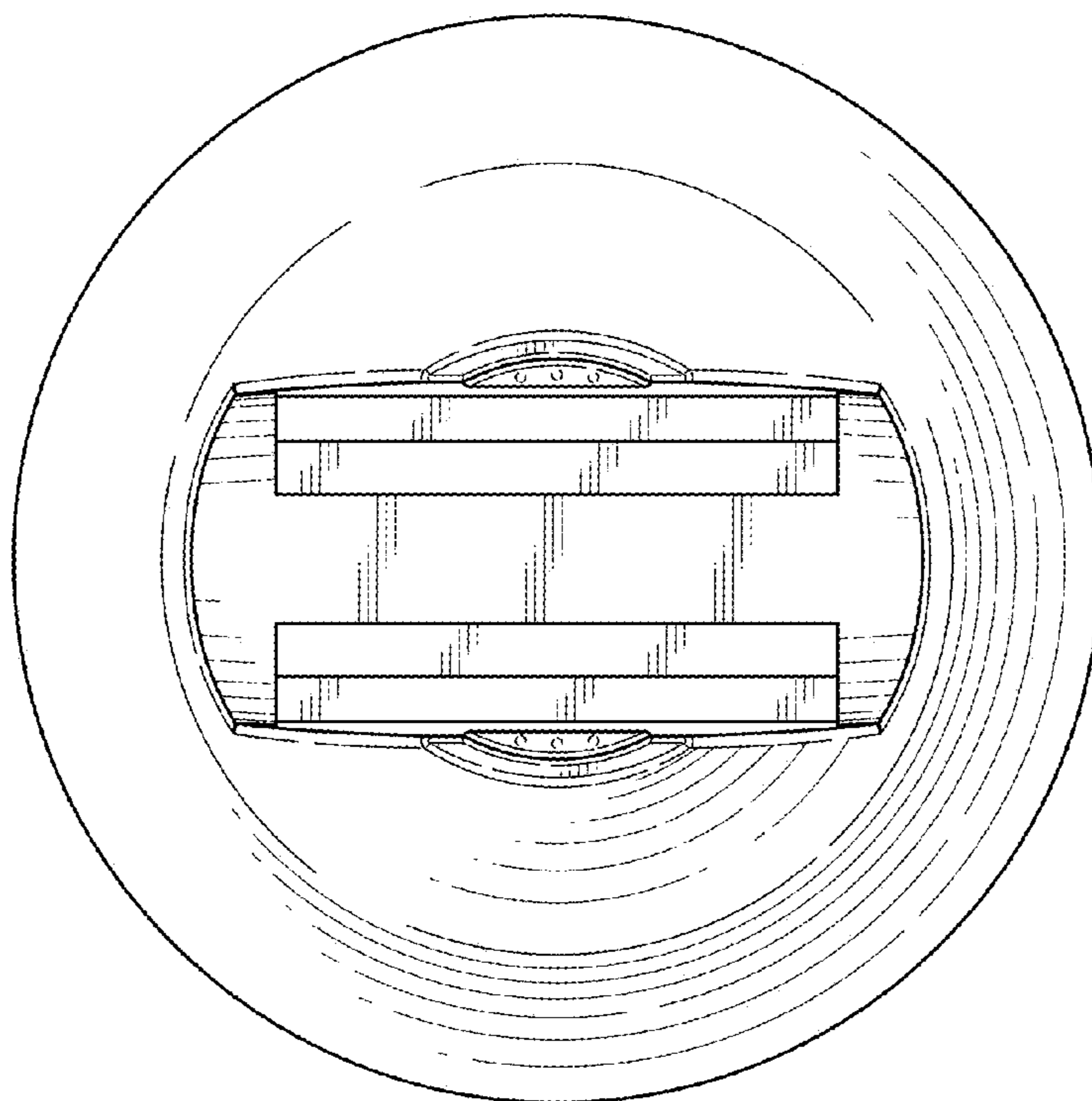


FIG. 11