



US00D710241S

(12) **United States Design Patent**
Vaughan et al.

(10) **Patent No.:** **US D710,241 S**
(45) **Date of Patent:** **** Aug. 5, 2014**

- (54) **PENDANT**
- (71) Applicants: **John Kennedy Vaughan**, Beaumont, TX (US); **Tammie Vaughan**, Beaumont, TX (US)
- (72) Inventors: **John Kennedy Vaughan**, Beaumont, TX (US); **Tammie Vaughan**, Beaumont, TX (US)
- (73) Assignee: **Athletes for Christ, LP**, Beaumont, TX (US)
- (**) Term: **14 Years**
- (21) Appl. No.: **29/470,247**
- (22) Filed: **Oct. 18, 2013**
- (51) **LOC (10) Cl.** **11-01**
- (52) **U.S. Cl.**
USPC **D11/81**
- (58) **Field of Classification Search**
USPC D11/79-86, 1, 2, 7, 9, 11, 13, 15;
63/40, 12, 13, 18, 20; D21/661, 638,
D21/682, 681; 482/108, 93, 910, 107, 106;
D9/668

See application file for complete search history.

(56) **References Cited**

U.S. PATENT DOCUMENTS

D269,950	S	*	8/1983	Walker	D9/668
6,099,443	A	*	8/2000	Landfair	482/108
D456,705	S	*	5/2002	Vijn	D9/668
7,001,310	B1	*	2/2006	Brice	482/107
D545,927	S	*	7/2007	Lien	D21/681
D597,612	S	*	8/2009	Lien	D21/681
D624,614	S	*	9/2010	Lien	D21/681
D650,289	S	*	12/2011	Bosiljevac et al.	D9/668

2002/0128127	A1	*	9/2002	Chen	482/106
2009/0275447	A1	*	11/2009	Fishman et al.	482/139
2014/0005013	A1	*	1/2014	Kassemi	482/108

OTHER PUBLICATIONS

- [Online] <http://www.shieldsofstrength.com/store/p/242-Her-s-Dumbell-with-Luke-1-37.aspx>.*
- [Online] <http://www.shieldsofstrength.com/store/p/212-His-Phil-Dumbell-with-24-inch-chain.aspx>.*
- [Online] https://www.etsy.com/listing/182462159/crossfit-rhodium-plated-sport-dumbell?ref=sr_gallery_7&ga_search_query=dumbell+necklace&ga_ship_to=US&ga_search_type=all&ga_view_type=gallery.*
- [Online] <http://www.amazon.com/Sterling-Silver-Necklace-Dumbell-Pendant/dp/B00G8ZMD1K>.*

* cited by examiner

Primary Examiner — Garth Rademaker
Assistant Examiner — Melanie Pellegrini
 (74) *Attorney, Agent, or Firm* — Egbert Law Offices, PLLC

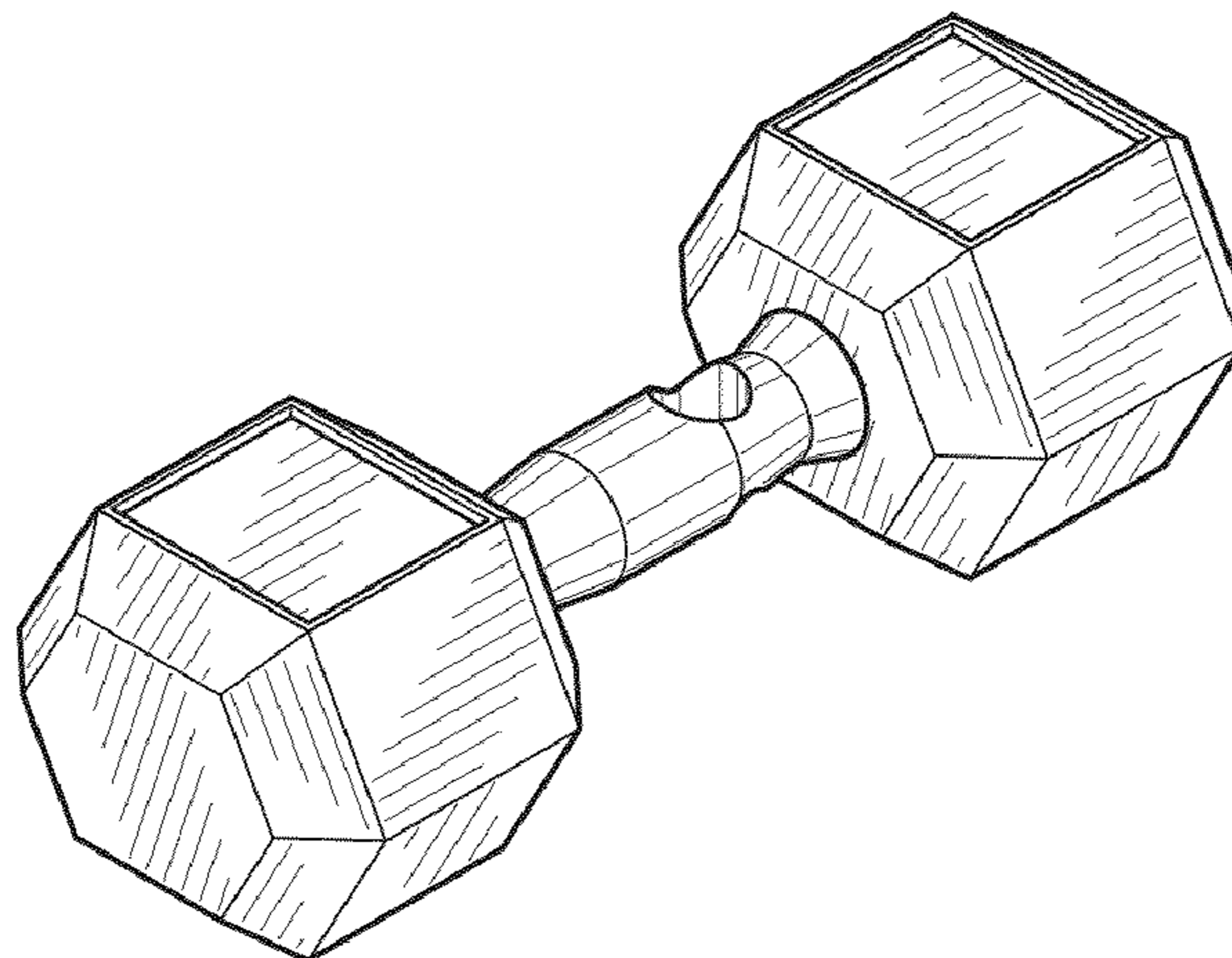
(57) **CLAIM**

The ornamental design for a pendant, as shown and described.

DESCRIPTION

FIG. 1 is a perspective view of a pendant showing our new design;
 FIG. 2 is a front view thereof;
 FIG. 3 is a rear view thereof;
 FIG. 4 is a top view thereof;
 FIG. 5 is a bottom view thereof;
 FIG. 6 is a side view thereof; and,
 FIG. 7 is an opposite side view thereof.
 The broken lines shown in the drawings illustrate environmental matter and form no part of the claimed design.

1 Claim, 2 Drawing Sheets



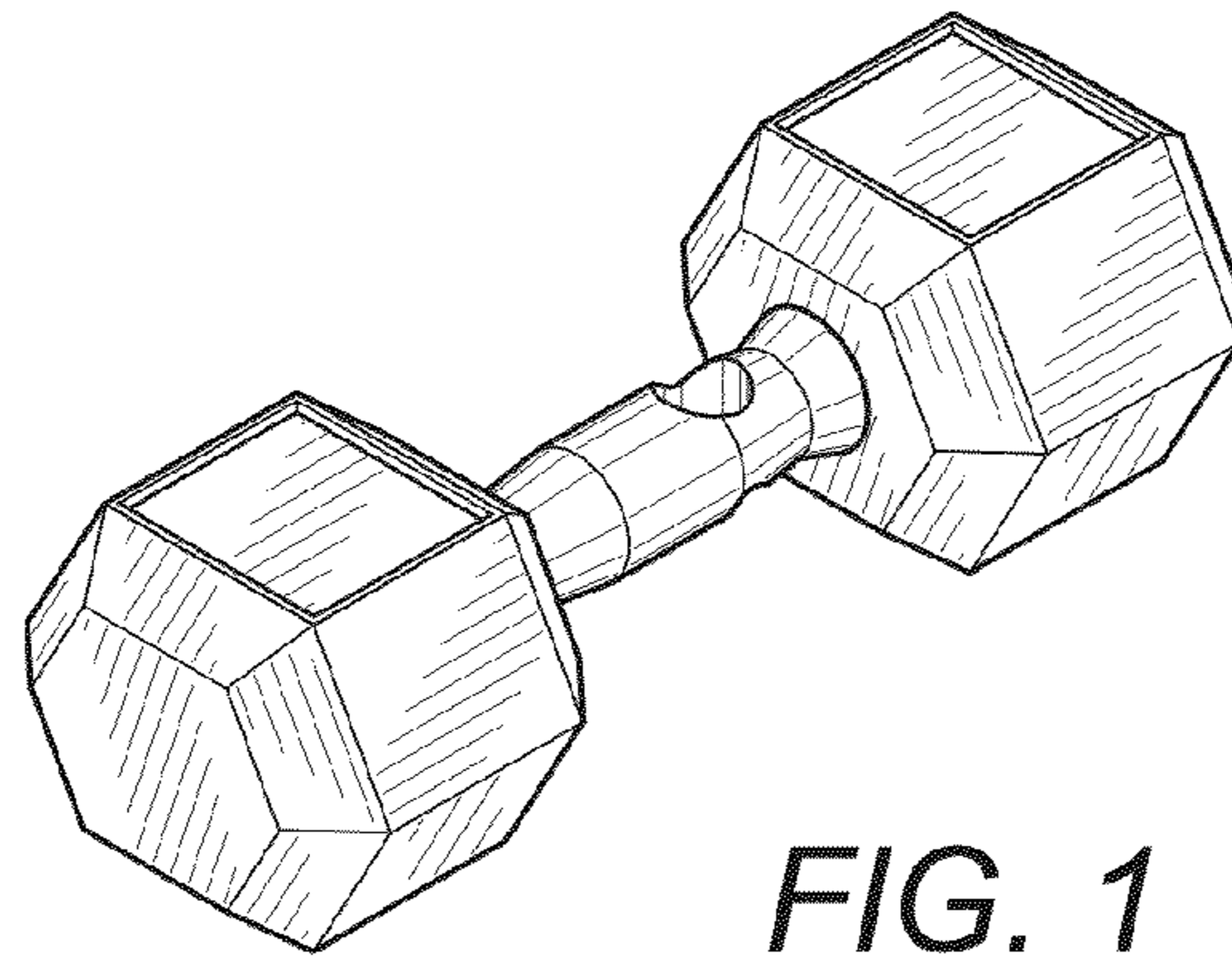


FIG. 1

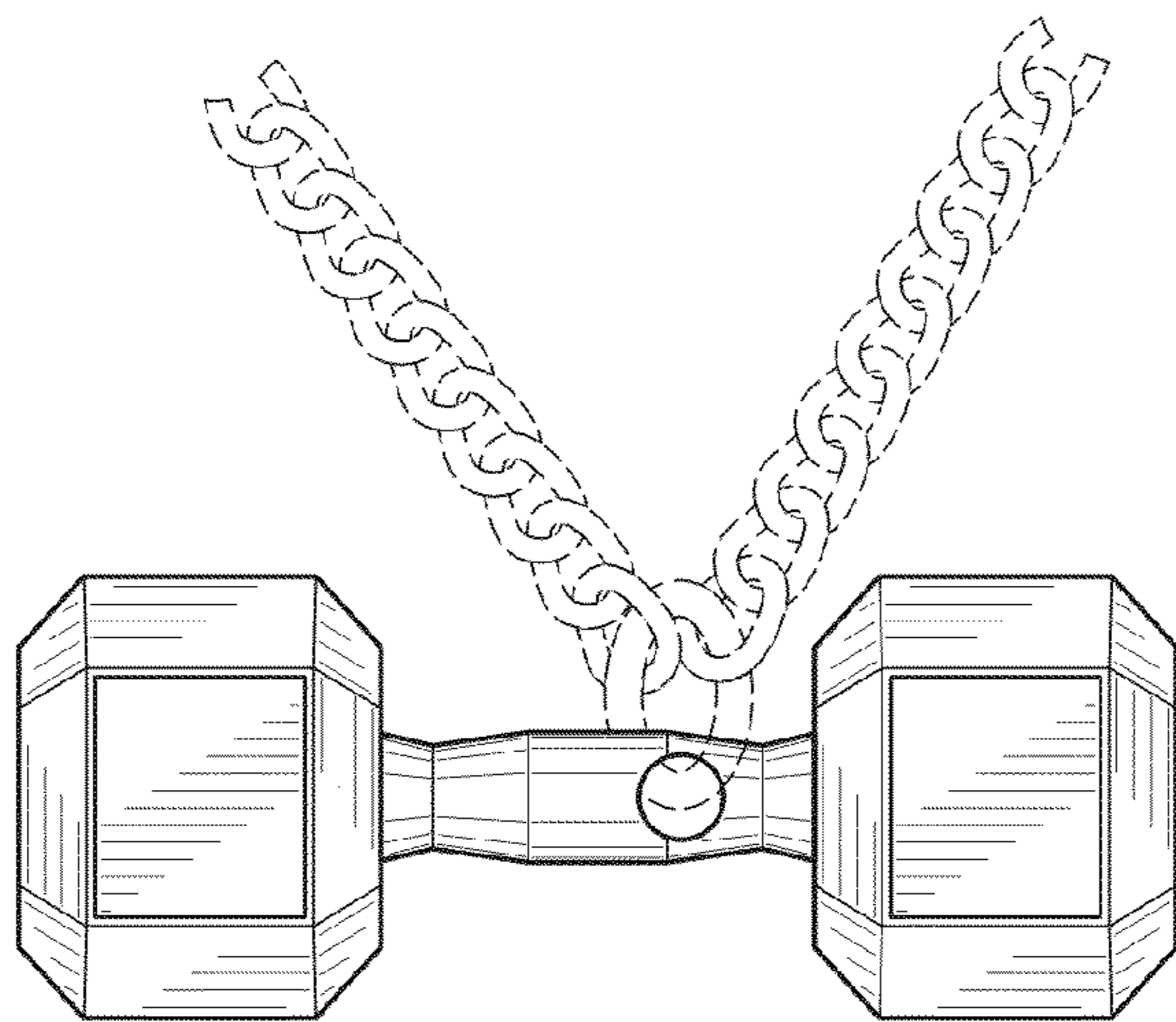


FIG. 2

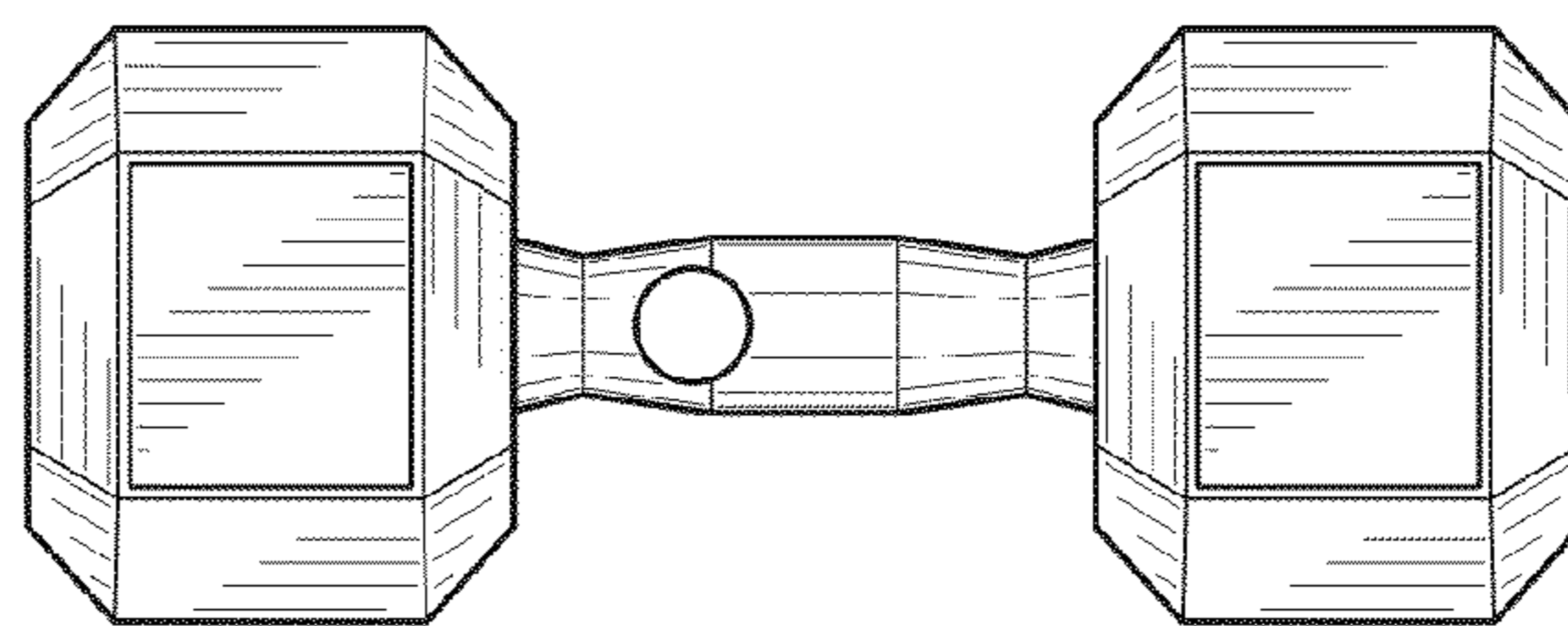


FIG. 3

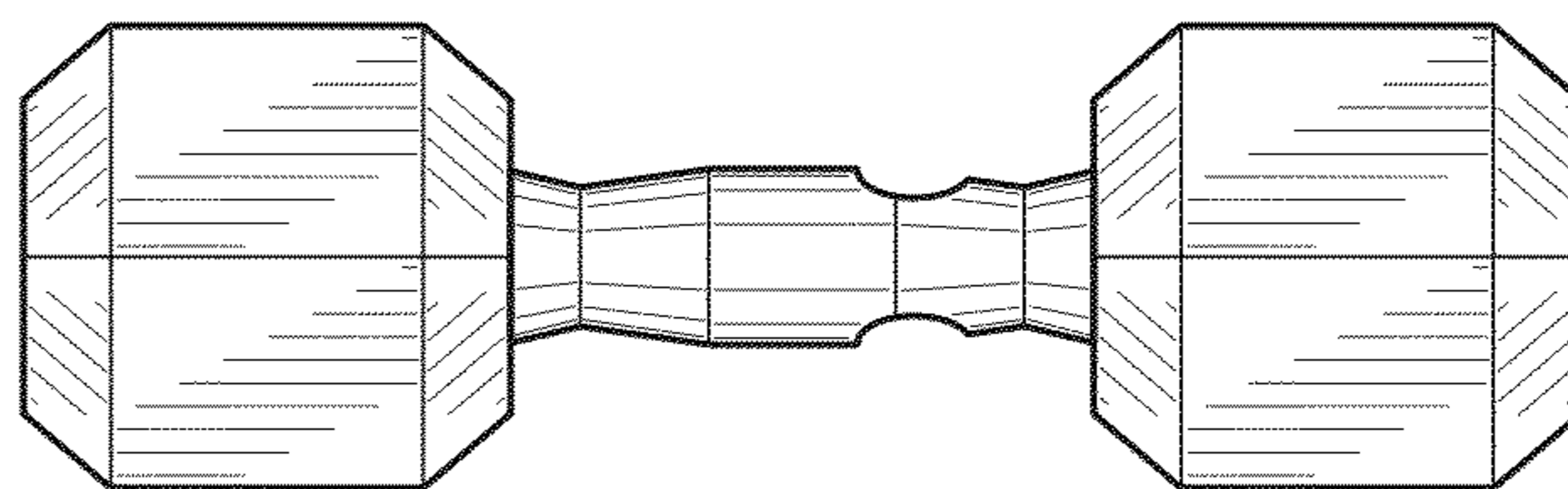


FIG. 4

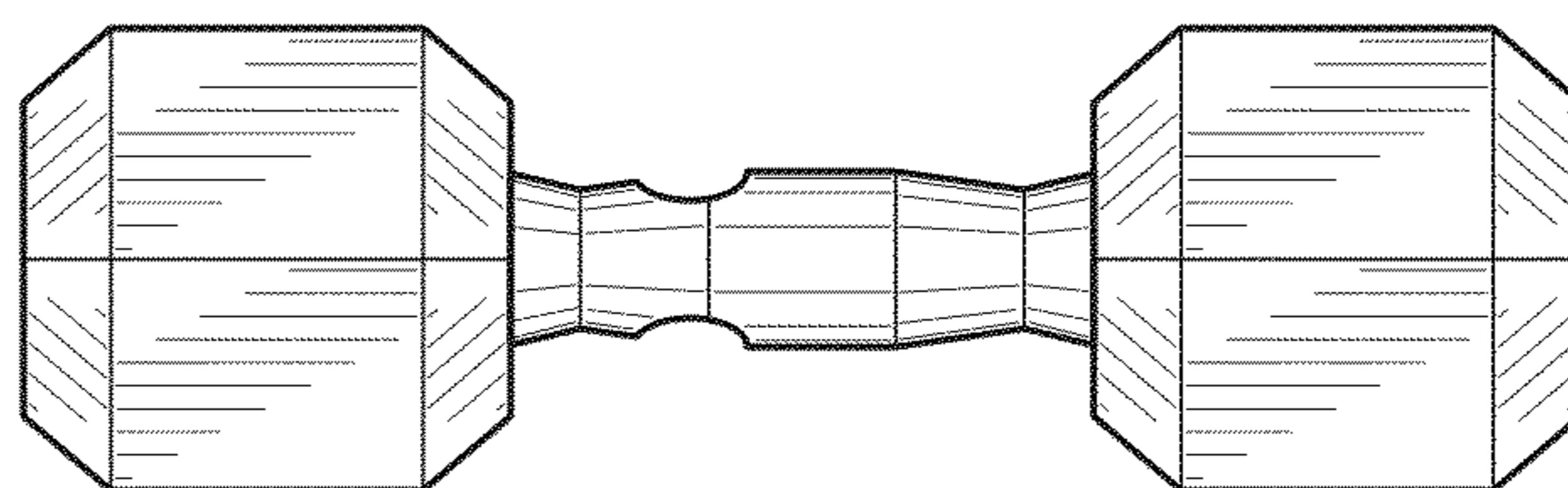


FIG. 5

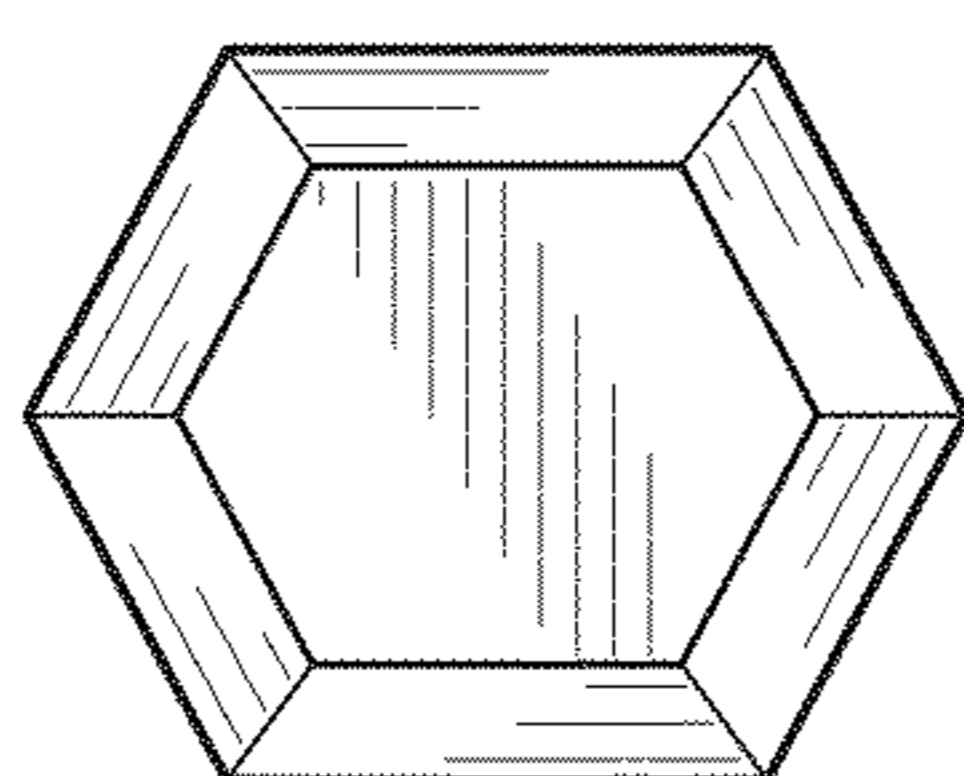


FIG. 6

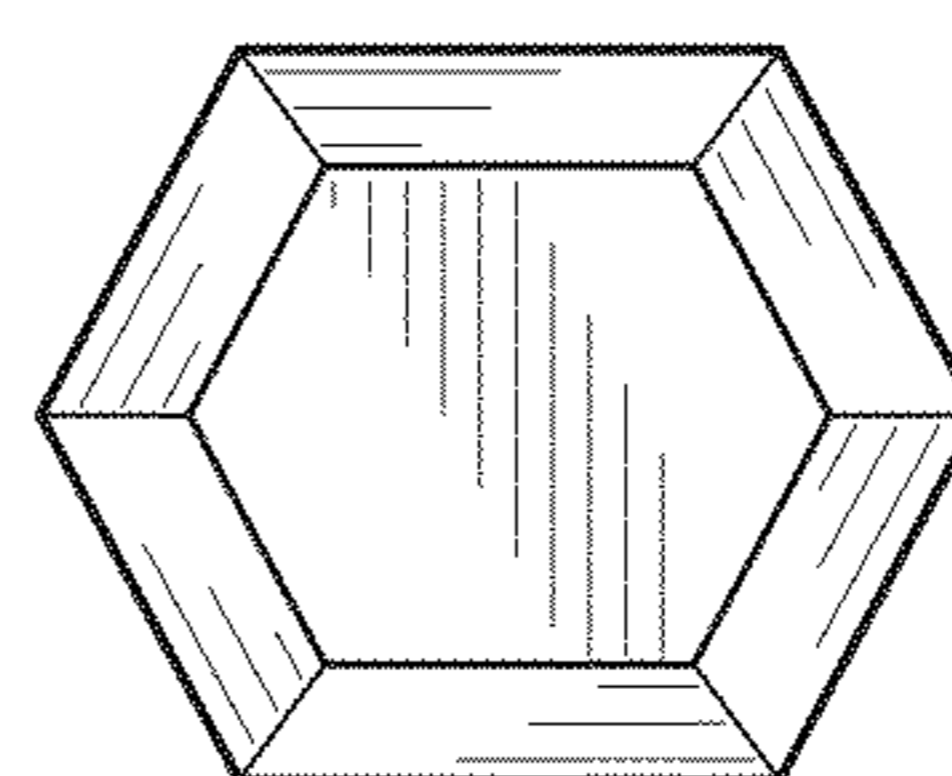


FIG. 7