



US00D710237S

(12) **United States Design Patent**
Herlands et al.

(10) **Patent No.:** **US D710,237 S**

(45) **Date of Patent:** **** Aug. 5, 2014**

(54) **HEART-SHAPED JEWELRY**

(71) Applicant: **Barnea Diamond and Design LLC**,
New York, NY (US)

(72) Inventors: **Tiffany Herlands**, New York City, NY
(US); **Ronny Barnea**, New York City,
NY (US)

(73) Assignee: **Barnea Diamond and Design LLC**,
New York, NY (US)

(**) Term: **14 Years**

(21) Appl. No.: **29/436,539**

(22) Filed: **Nov. 7, 2012**

(51) **LOC (10) Cl.** **11-01**

(52) **U.S. Cl.**
USPC **D11/81; D11/56**

(58) **Field of Classification Search**
CPC A44C 25/001; A44C 25/007; A44C 17/02;
A44C 15/005; A44C 15/0055; A44C 1/00
USPC D11/1, 2, 7, 8, 43, 44, 47, 48, 56,
D11/79-86, 103, 26-39; 63/18, 19, 20,
63/26-28; D3/211
See application file for complete search history.

(56) **References Cited**

U.S. PATENT DOCUMENTS

D132,244 S *	5/1942	Baum	D3/22
D269,863 S *	7/1983	Meyer	D11/83
D276,214 S *	11/1984	Fry	D3/205
5,157,945 A *	10/1992	Giehl	63/33
D374,194 S *	10/1996	Brocchi	D11/81
D439,155 S *	3/2001	Lewis	D9/732
D484,823 S *	1/2004	Pachachi	D11/81
D537,013 S *	2/2007	Schappert	D11/56
D542,699 S *	5/2007	Schappert	D11/103
D586,407 S *	2/2009	McCann	D21/398
D614,528 S *	4/2010	Johnson et al.	D11/103

OTHER PUBLICATIONS

[Online] http://www.polyvore.com/pandora_charm_sterling_silver_cubic/thing?id=107280259.*

[Online] <https://www.etsy.com/listing/125358792/pink-rhinestone-heart-european-charm?ref=market>.*

* cited by examiner

Primary Examiner — Garth Rademaker

Assistant Examiner — Melanie Pellegrini

(74) *Attorney, Agent, or Firm* — Volpe and Koenig, P.C.

(57) **CLAIM**

The ornamental design for heart-shaped jewelry, as shown and described.

DESCRIPTION

FIG. 1 is a perspective view of heart shaped jewelry showing our new design;
 FIG. 2 is a front elevational view of the design shown in FIG. 1;
 FIG. 3 is a rear elevational view of the design shown in FIG. 1;
 FIG. 4 is a bottom plan view of the design shown in FIG. 1;
 FIG. 5 is a top plan view of the design shown in FIG. 1;
 FIG. 6 is a left side elevational view of the design shown in FIG. 1;
 FIG. 7 is right side elevational view of the design shown in FIG. 1;
 FIG. 8 is a fragmentary perspective view of the design shown in FIG. 1;
 FIG. 9 is a front elevation fragmentary view of the design shown in FIG. 1;
 FIG. 10 is a rear elevational fragmentary view of the design shown in FIG. 1;
 FIG. 11 is a bottom plan fragmentary view of the design shown in FIG. 1;
 FIG. 12 is a top plan fragmentary view of the design shown in FIG. 1;
 FIG. 13 is a left side elevational fragmentary view of the design shown in FIG. 1;
 FIG. 14 is a right side elevational fragmentary view of the design shown in FIG. 1;
 FIG. 15 is a perspective view of the design of the left piece of the design shown in FIG. 1;

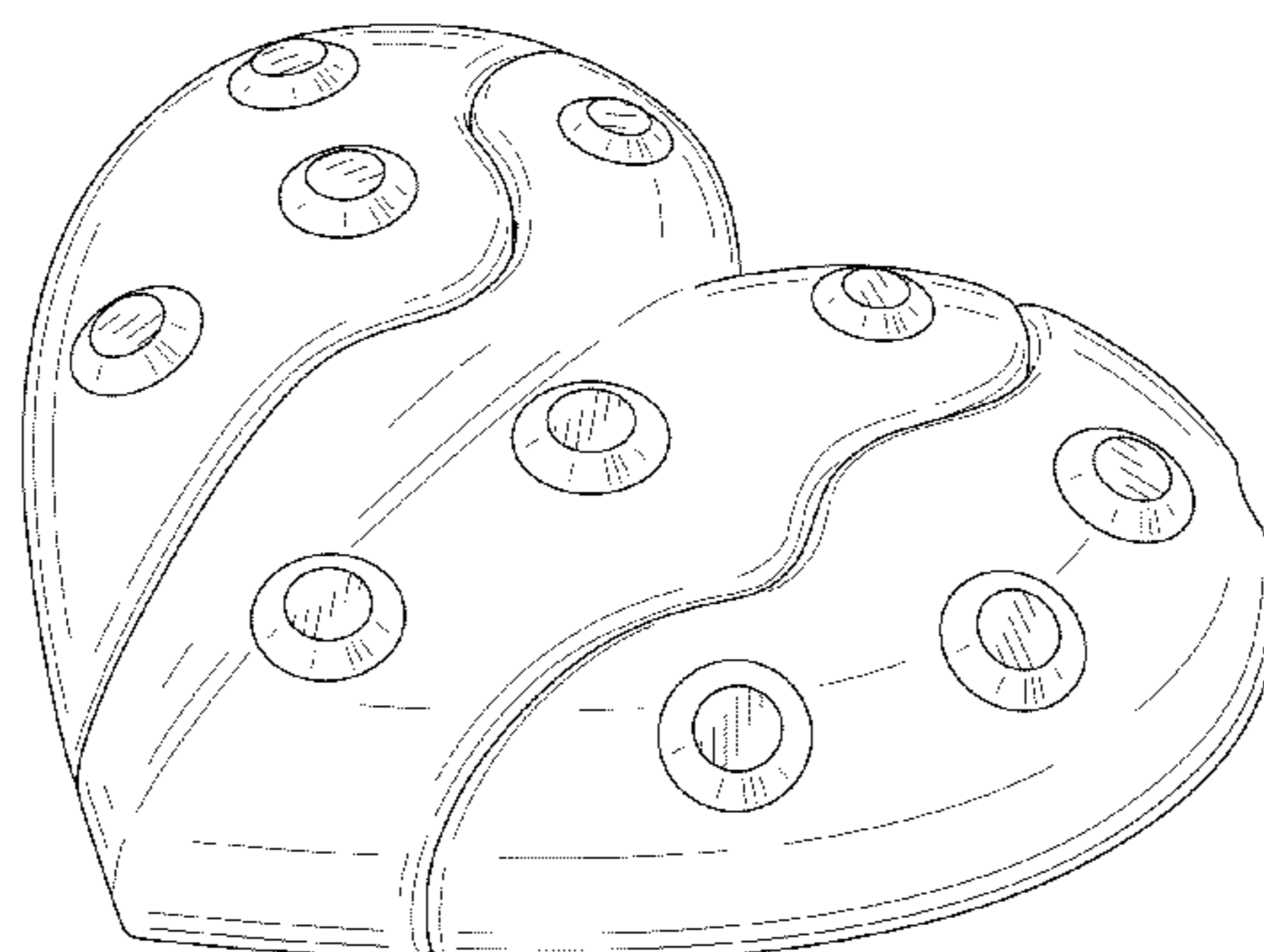


FIG. 16 is a front elevational view of the left piece of the design shown in FIG. 1;
FIG. 17 is a rear elevational view of the left piece of the design shown in FIG. 1;
FIG. 18 is a bottom plan view of the left piece of the design shown in FIG. 1;
FIG. 19 is a top plan view of the left piece of the design shown in FIG. 1;
FIG. 20 is a left side elevational view of the left piece of the design shown in FIG. 1;
FIG. 21 is right side elevational view of the left piece of the design shown in FIG. 1;
FIG. 22 is a perspective view of the design of the middle piece of the design shown in FIG. 1;
FIG. 23 is a front elevational view of the middle piece of the design shown in FIG. 1;
FIG. 24 is a rear elevational view of the middle piece of the design shown in FIG. 1;
FIG. 25 is a bottom plan view of the middle piece of the design shown in FIG. 1;
FIG. 26 is a top plan view of the middle piece of the design shown in FIG. 1;
FIG. 27 is a left side elevational view of the middle piece of the design shown in FIG. 1;

FIG. 28 is right side elevational view of the middle piece of the design shown in FIG. 1;
FIG. 29 is a perspective view of the design of the right piece of the design shown in FIG. 1;
FIG. 30 is a front elevational view of the right piece of the design shown in FIG. 1;
FIG. 31 is a rear elevational view of the right piece of the design shown in FIG. 1;
FIG. 32 is a bottom plan view of the right piece of the design shown in FIG. 1;
FIG. 33 is a top plan view of the right piece of the design shown in FIG. 1;
FIG. 34 is a left side elevational view of the right piece of the design shown in FIG. 1;
FIG. 35 is right side elevational view of the right piece of the design shown in FIG. 1; and,
FIG. 36 is a perspective view of the design shown in FIG. 1 with a chain.
The broken lines showing a chain in FIG. 36 illustrate environmental subject matter which forms no part of the claimed design. All other broken lines show portions of the heart-shaped jewelry which form no part of the claimed design.

1 Claim, 33 Drawing Sheets

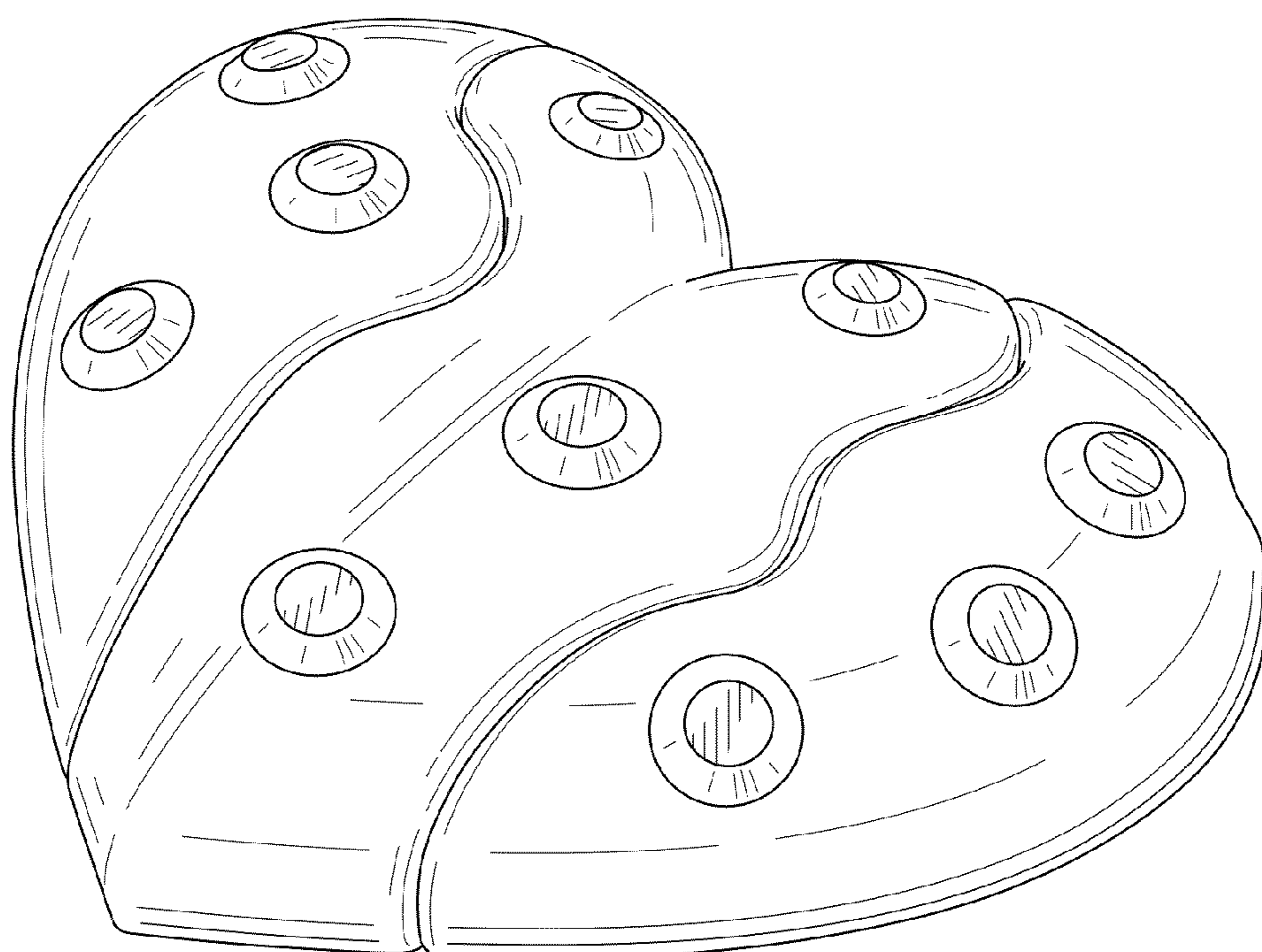


FIG. 1

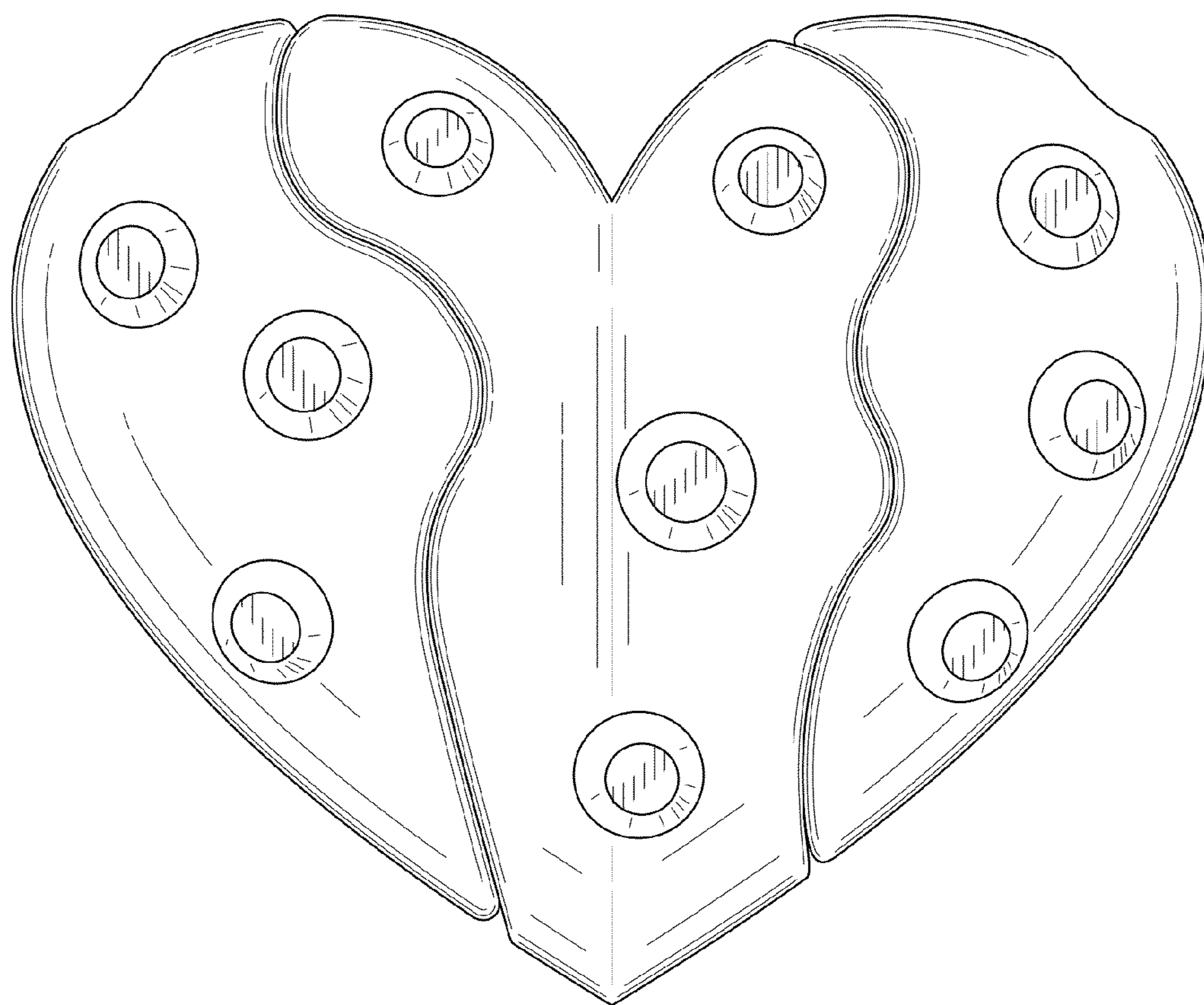


FIG. 2

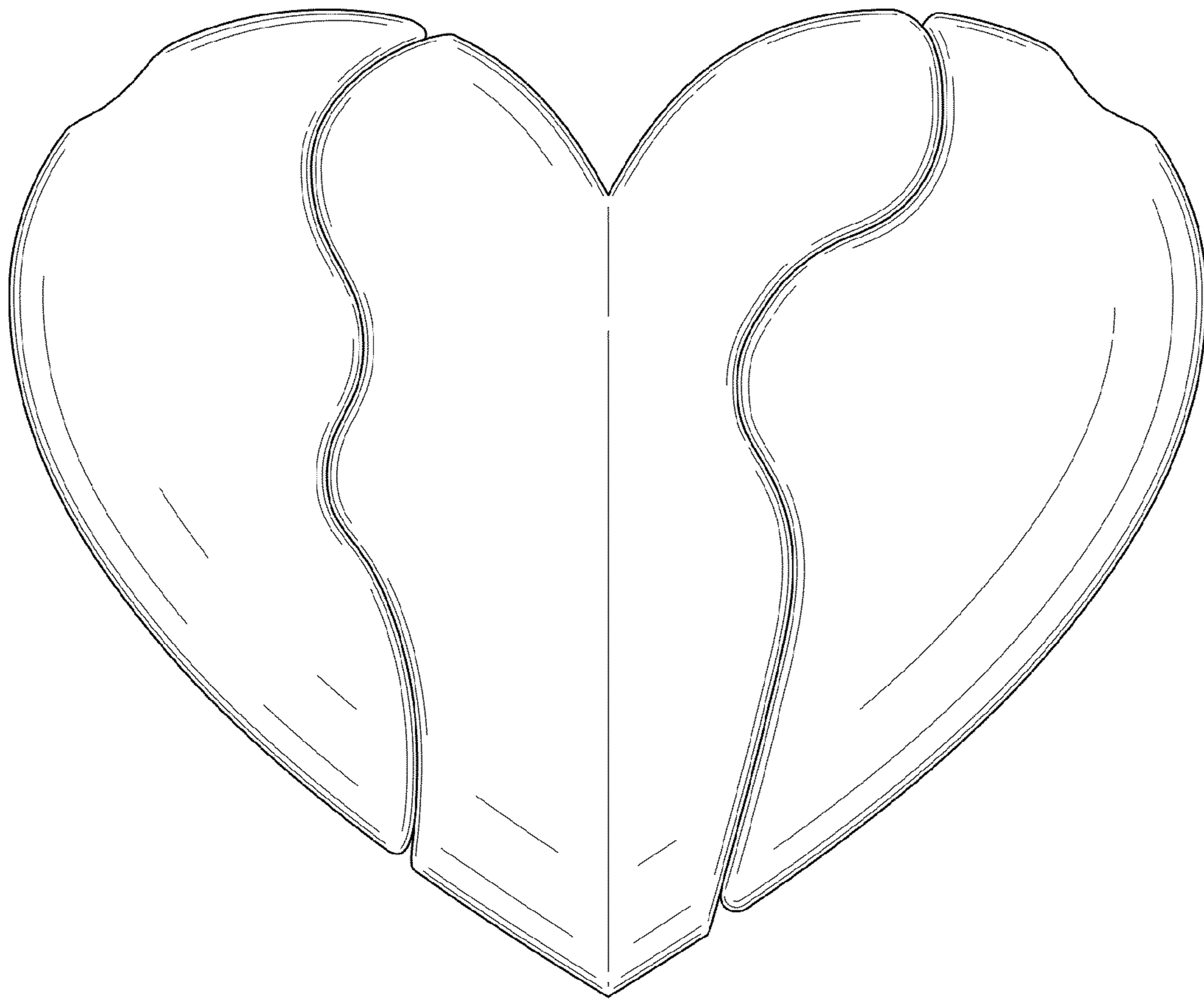


FIG. 3

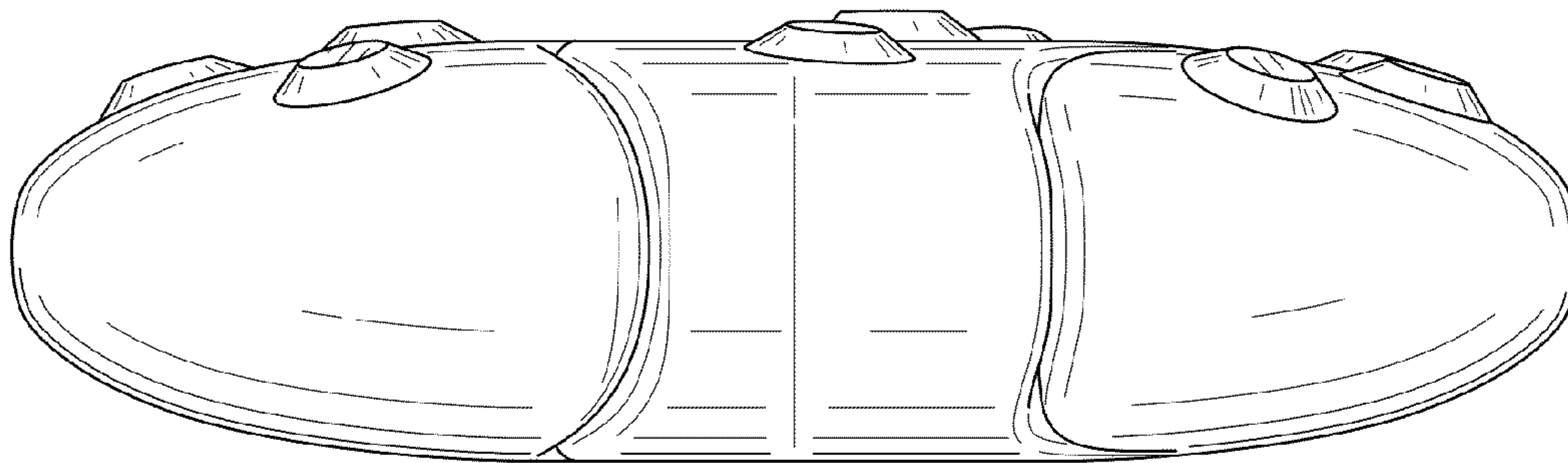


FIG. 4

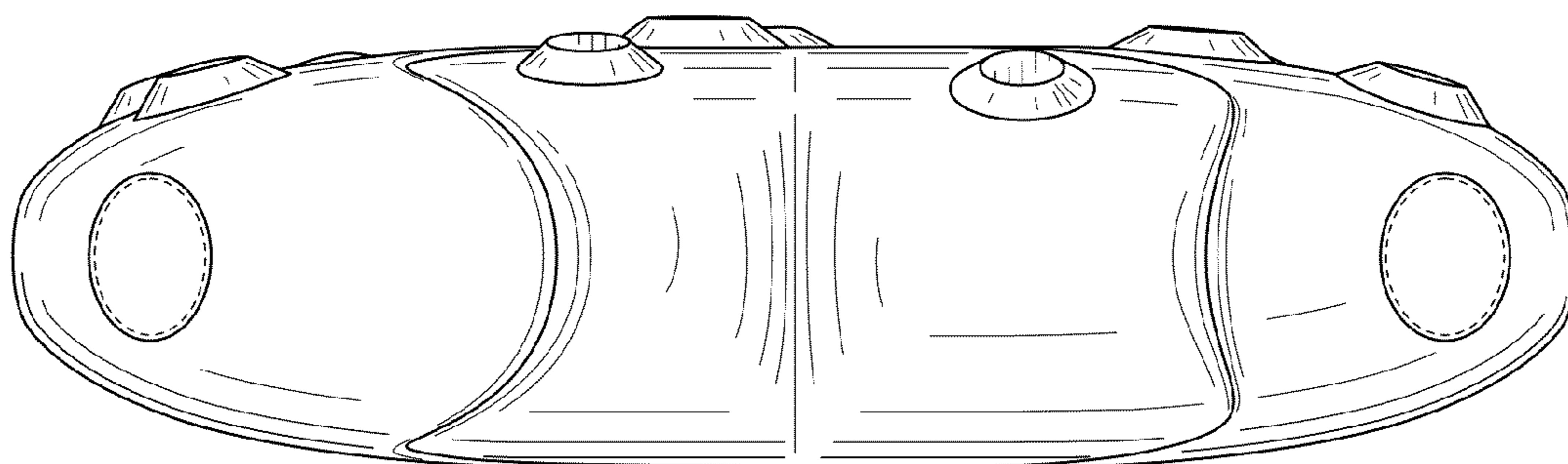


FIG. 5

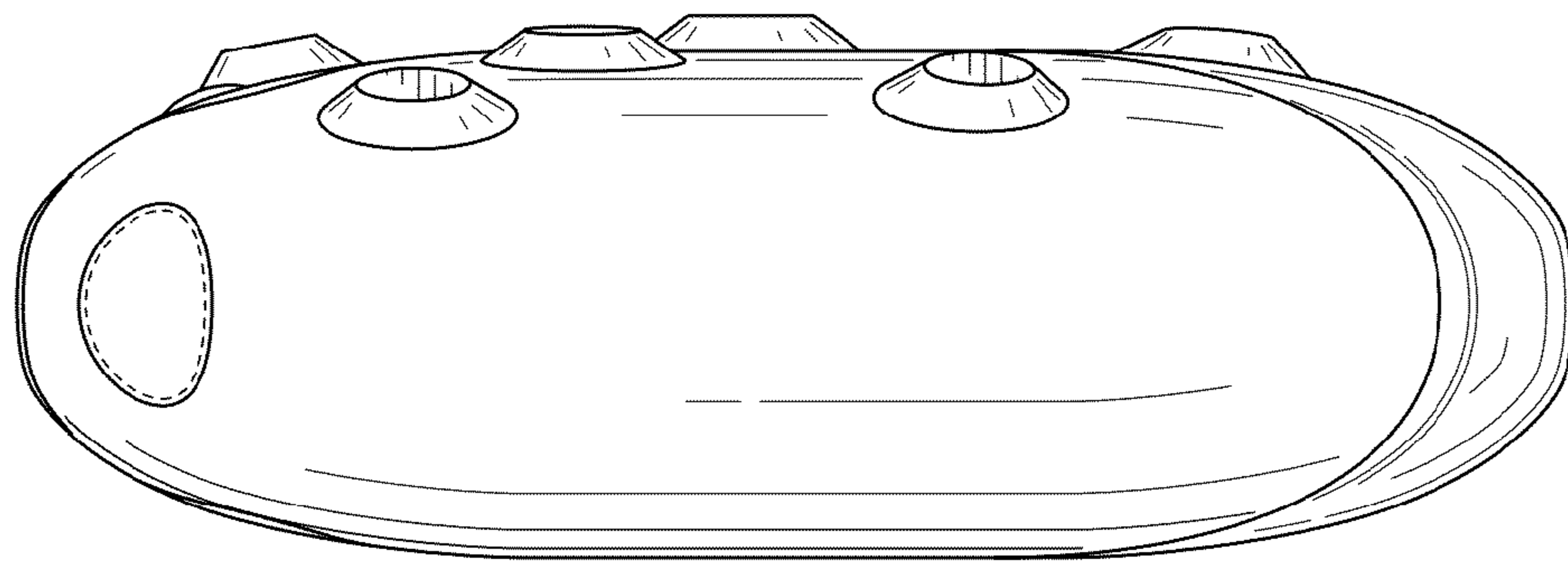


FIG. 6

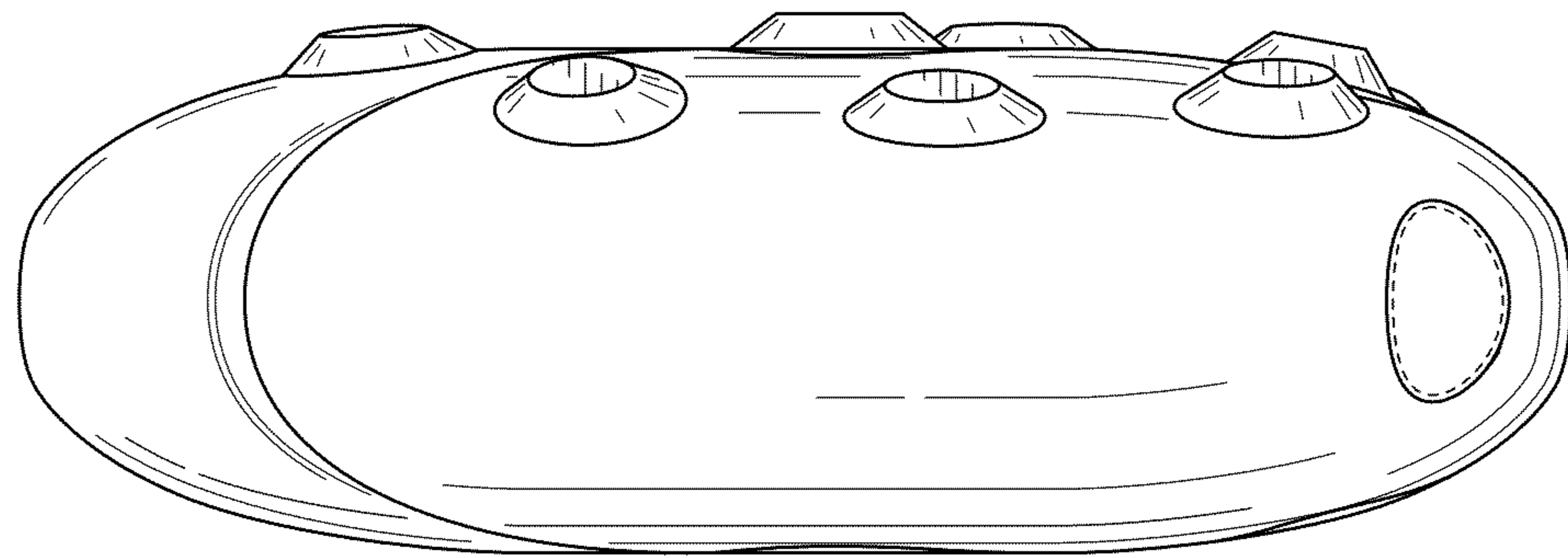
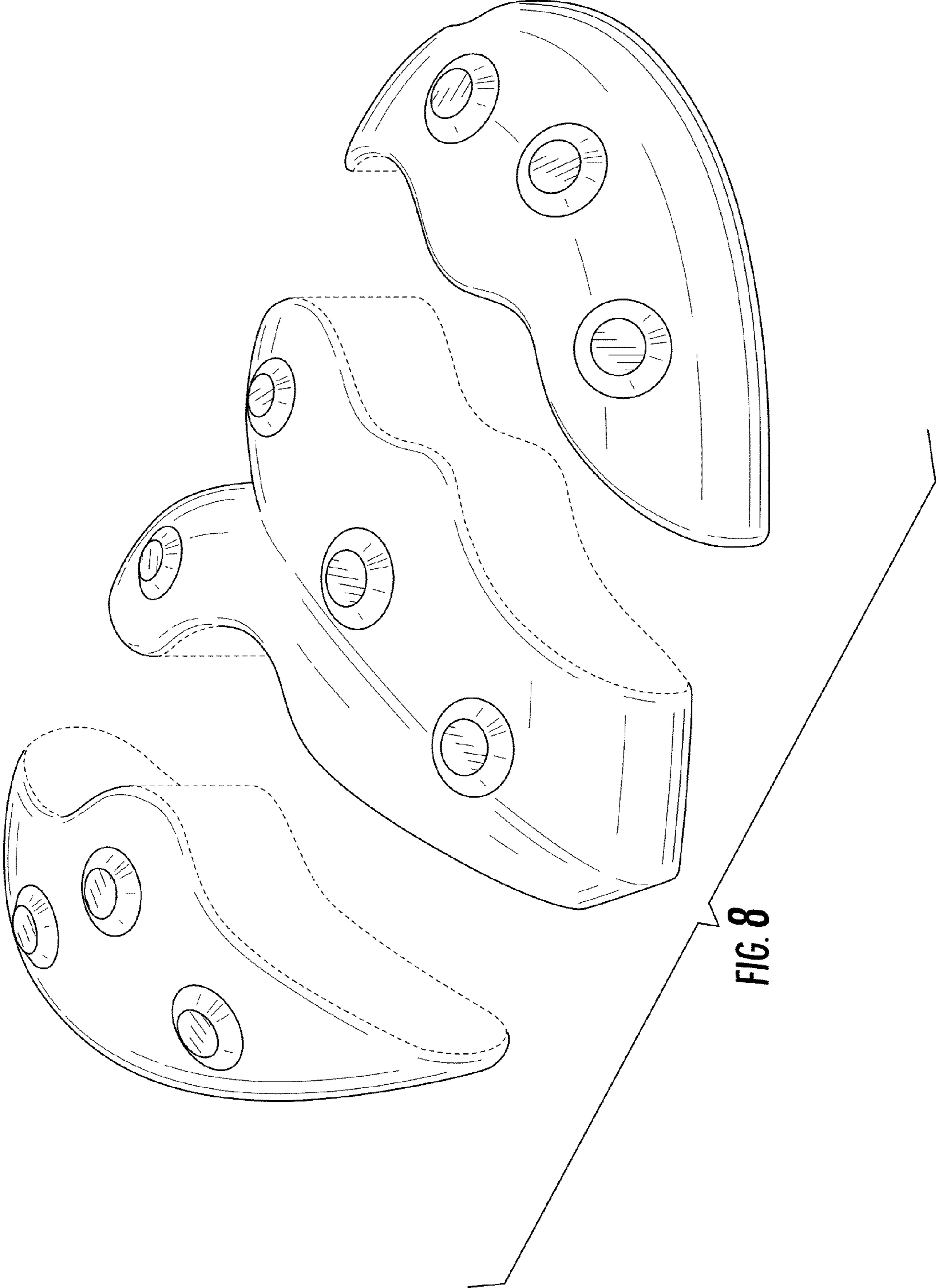


FIG. 7



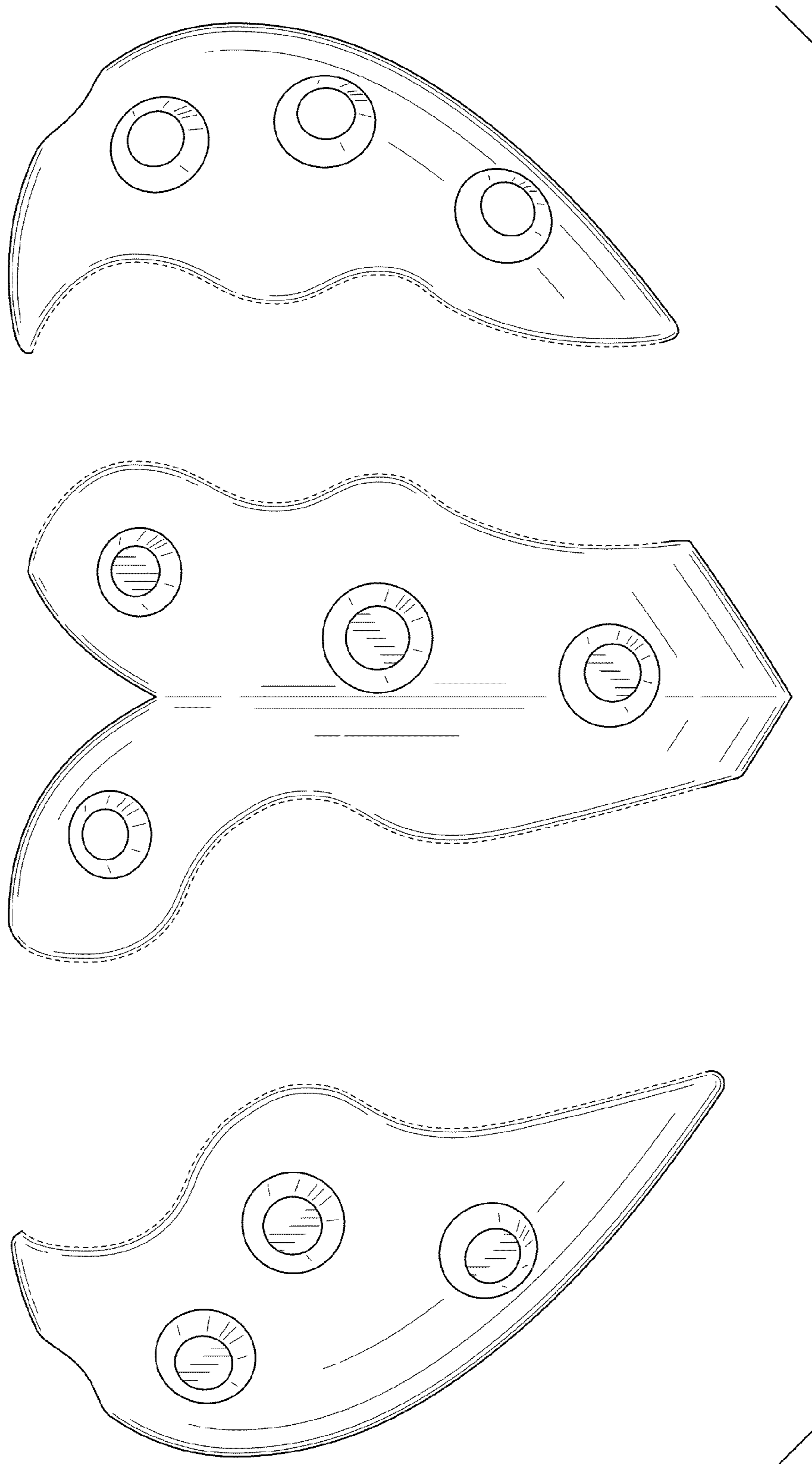


FIG. 9

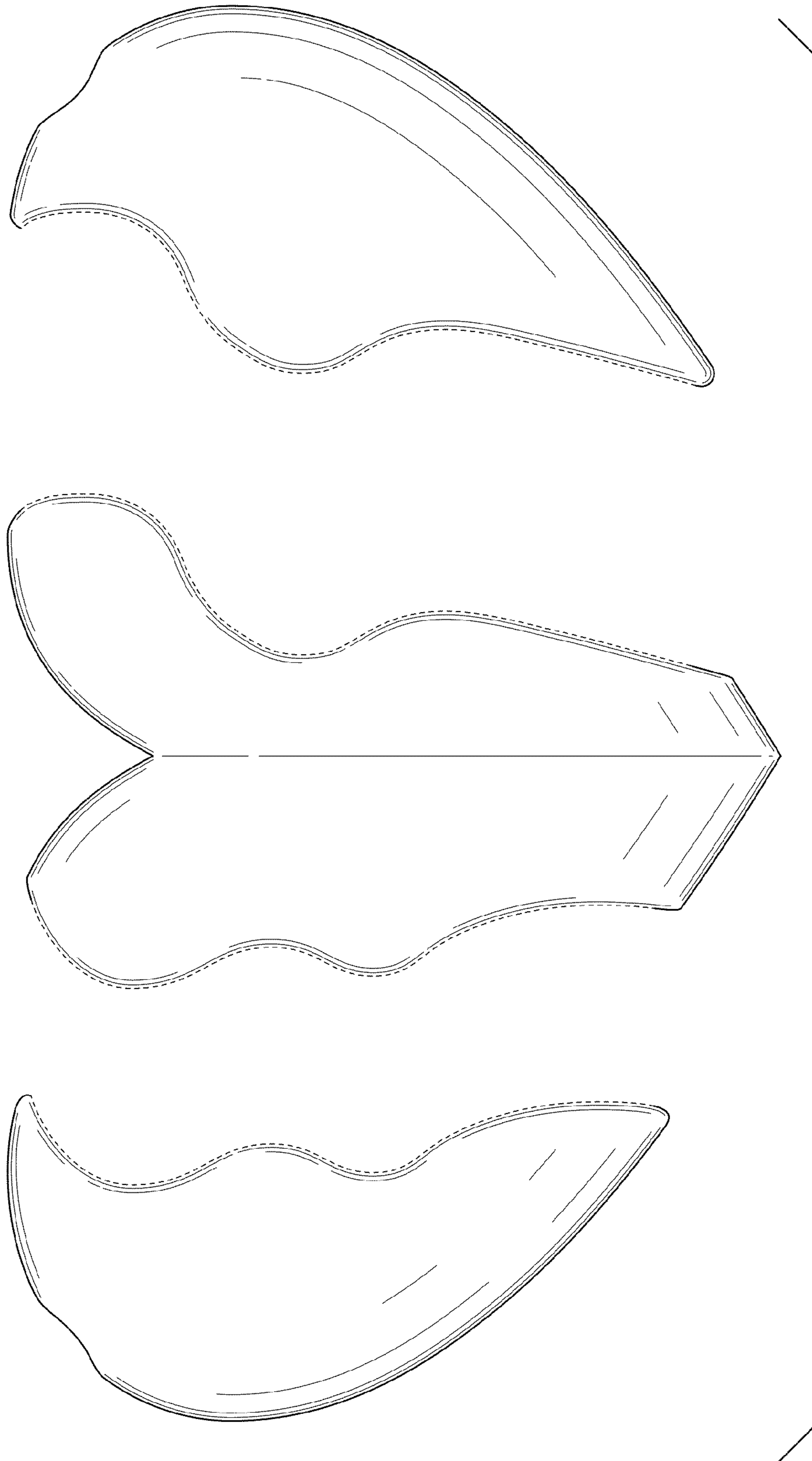


FIG. 10

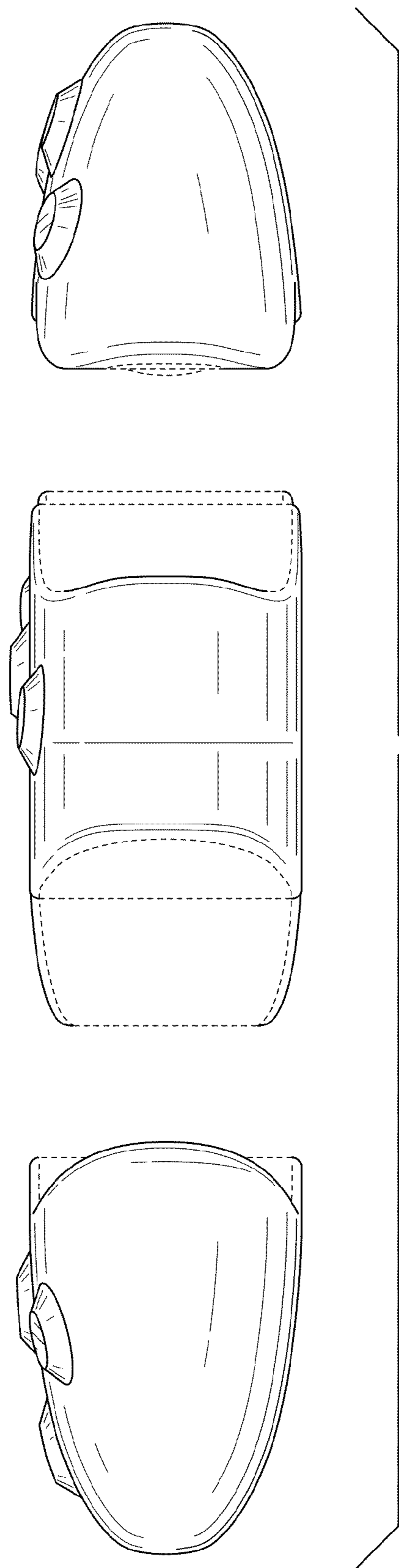


FIG. 11

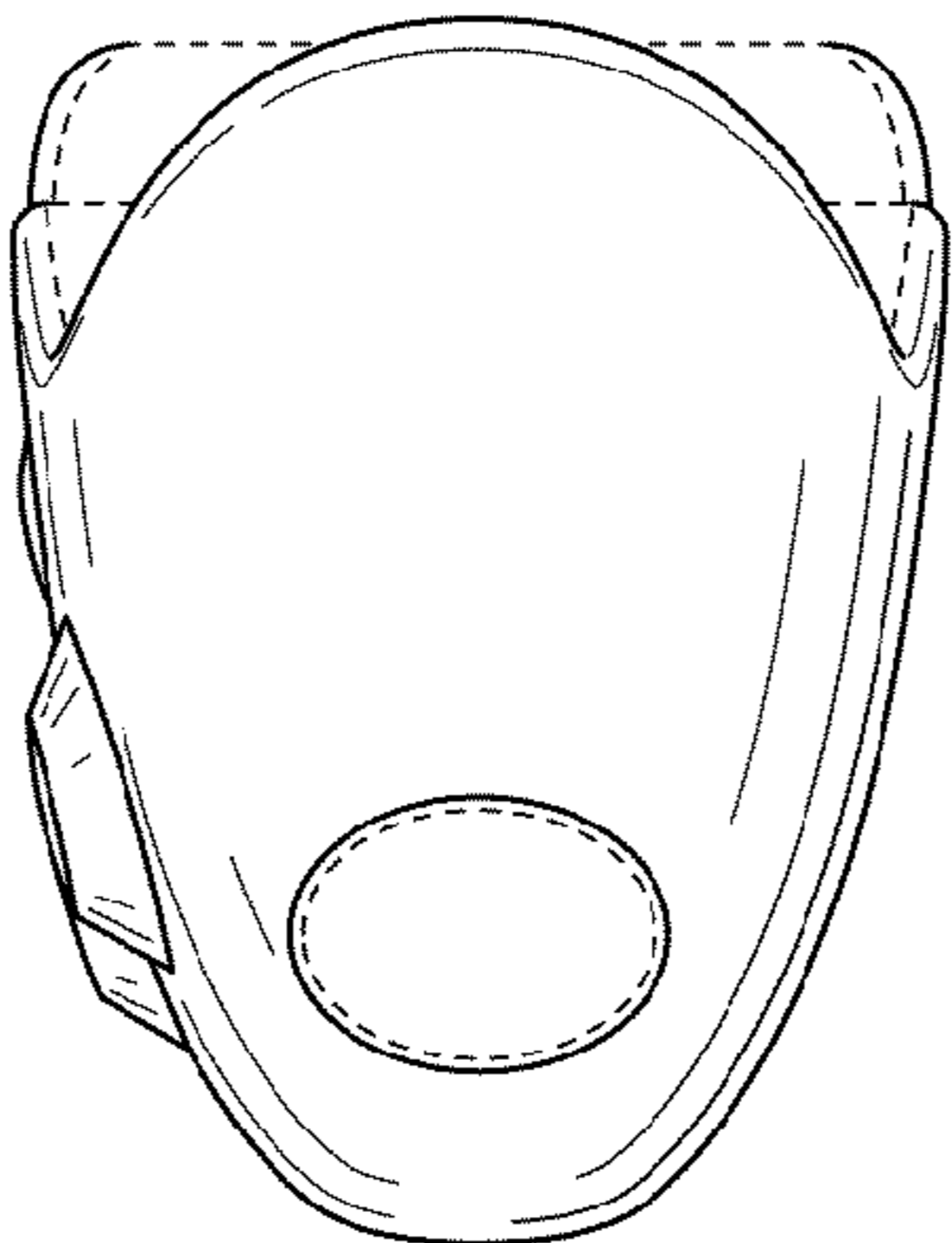
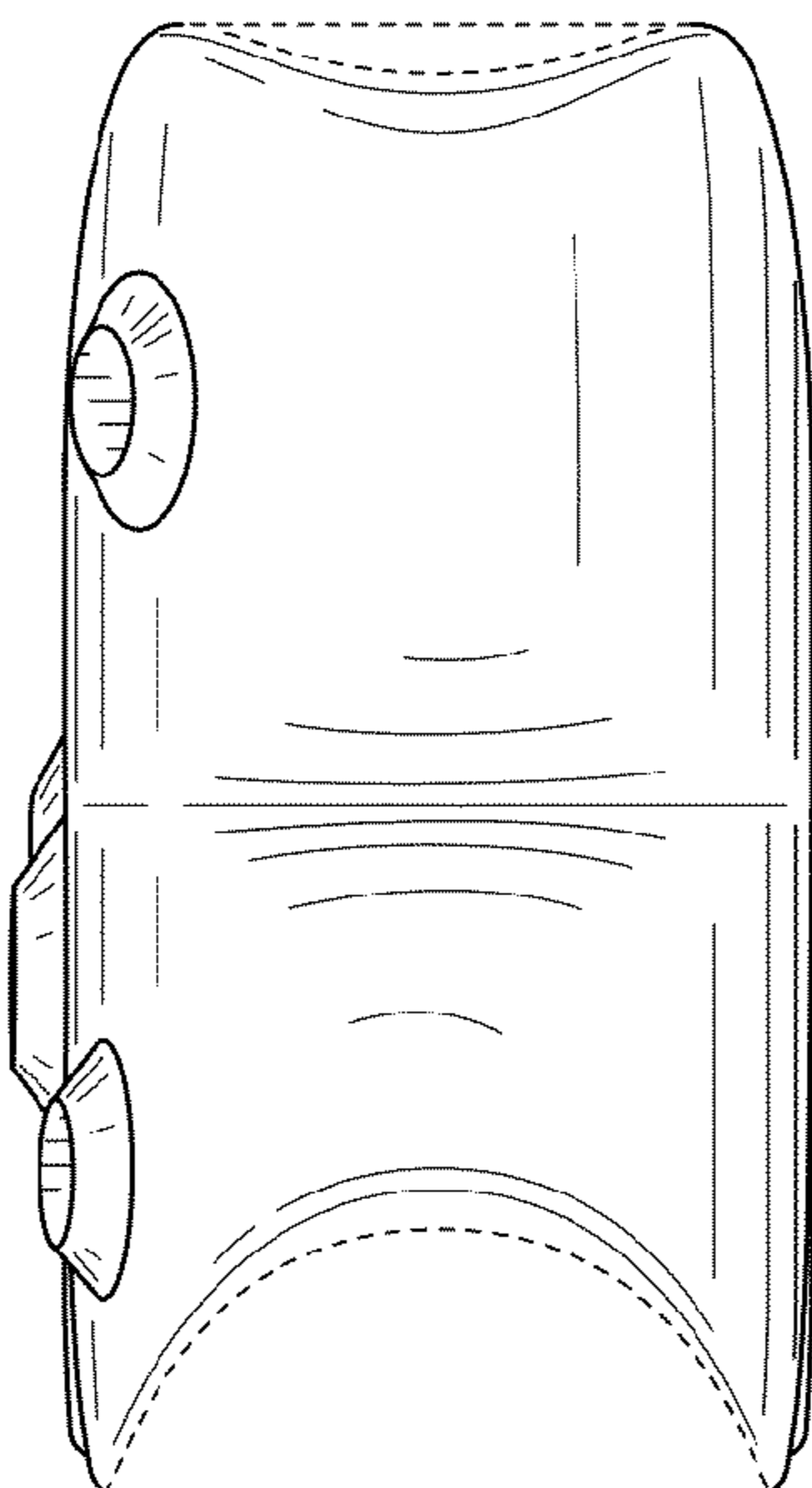
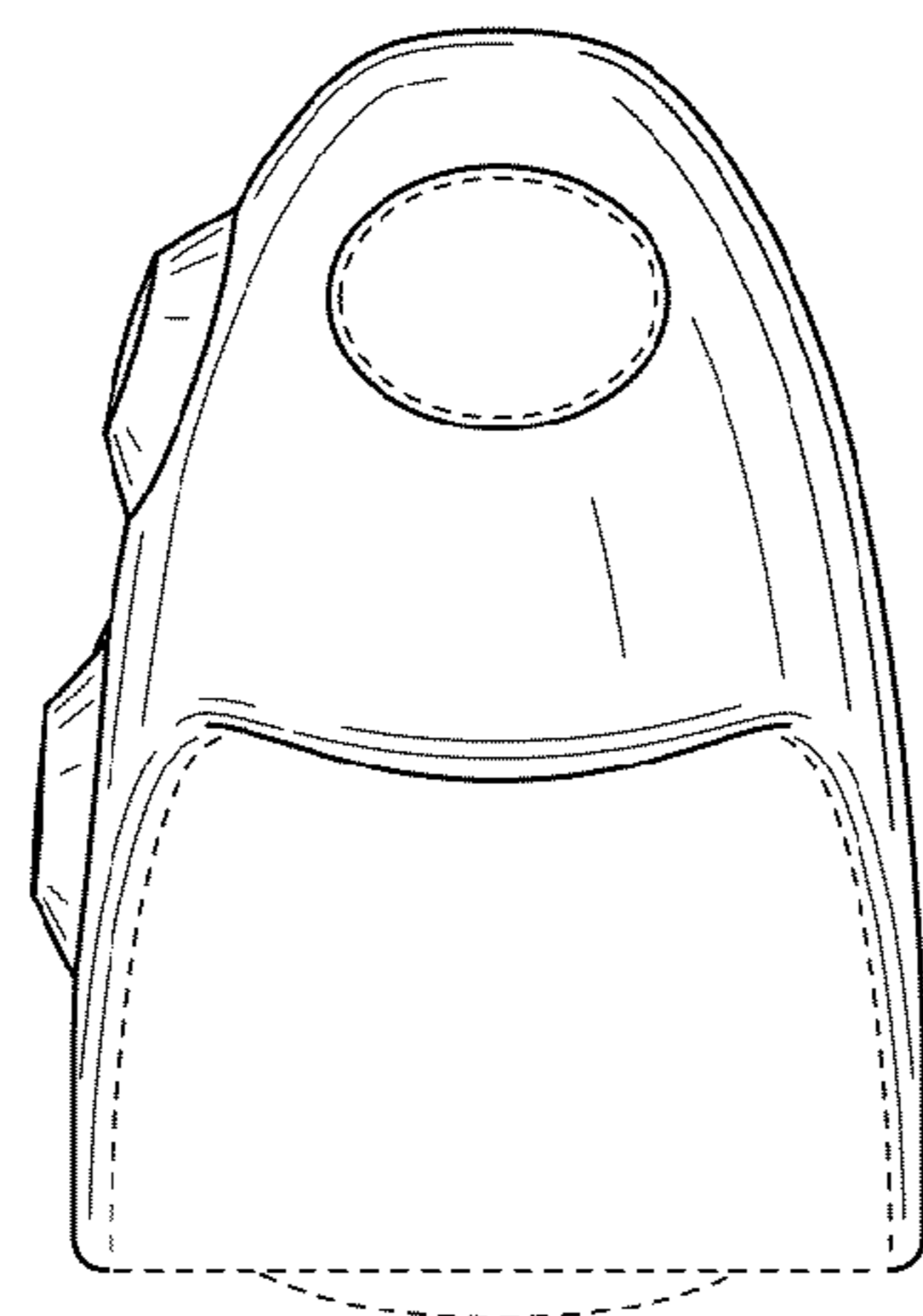


FIG. 12

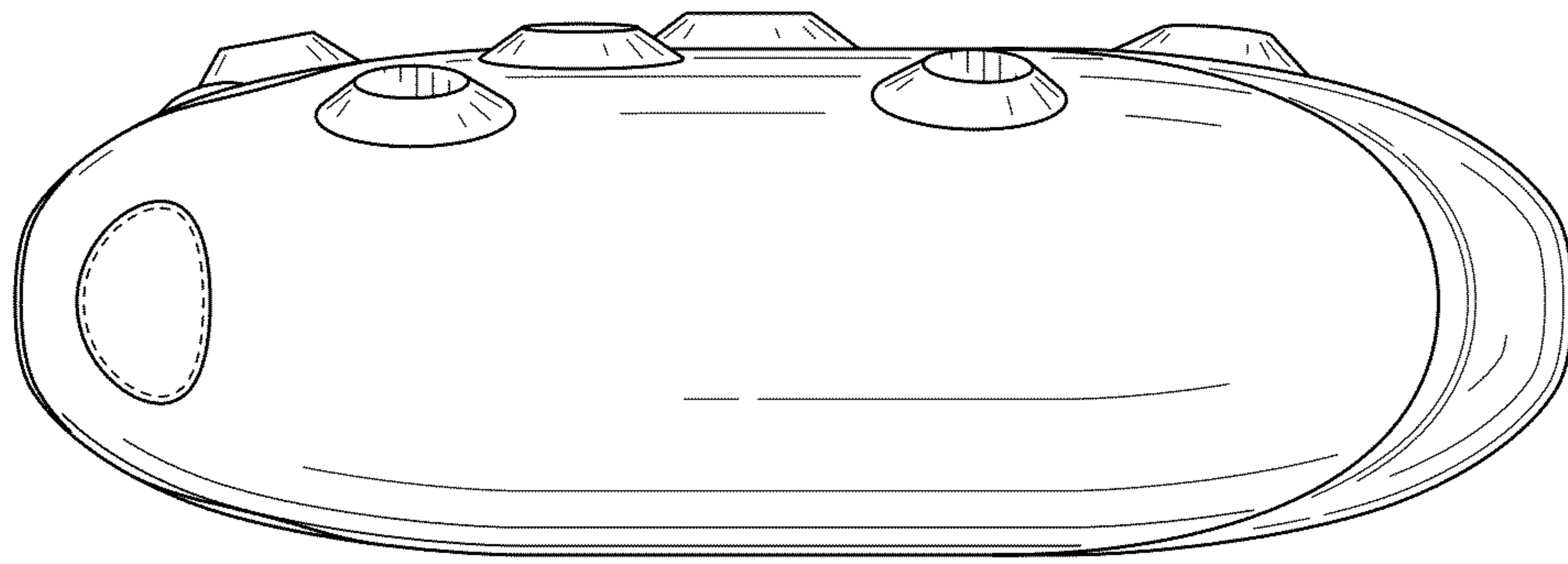


FIG. 13

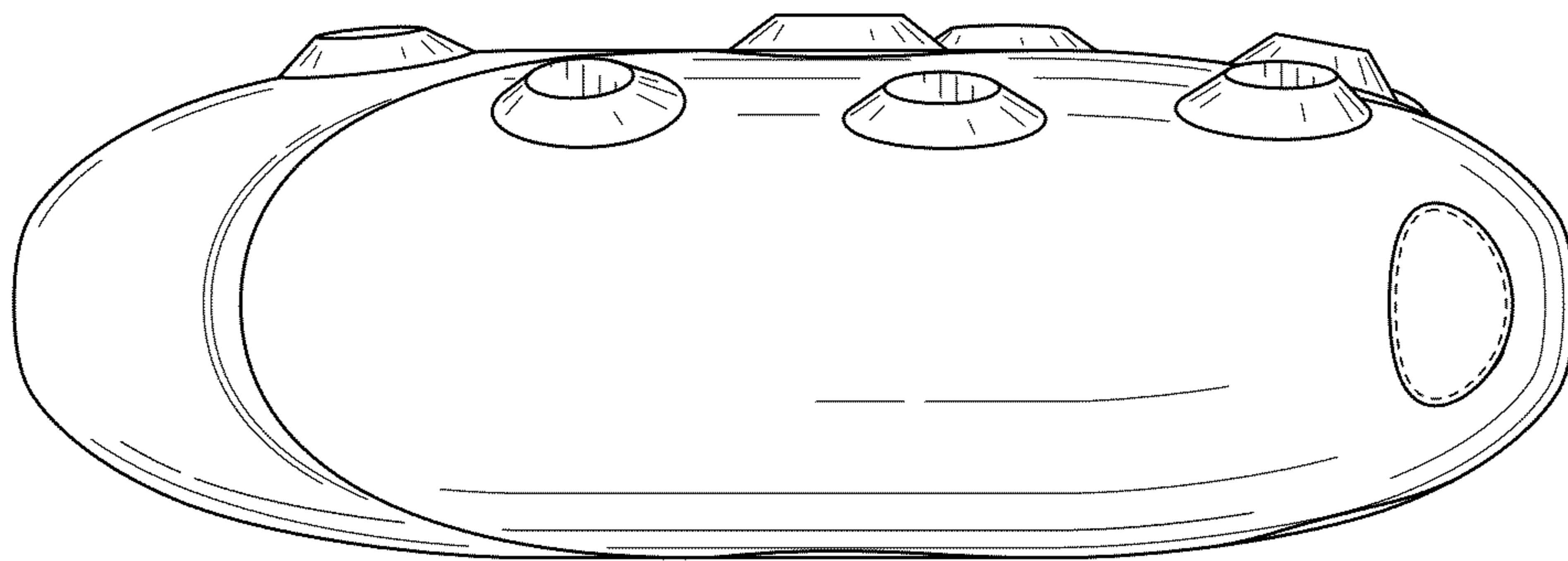


FIG. 14

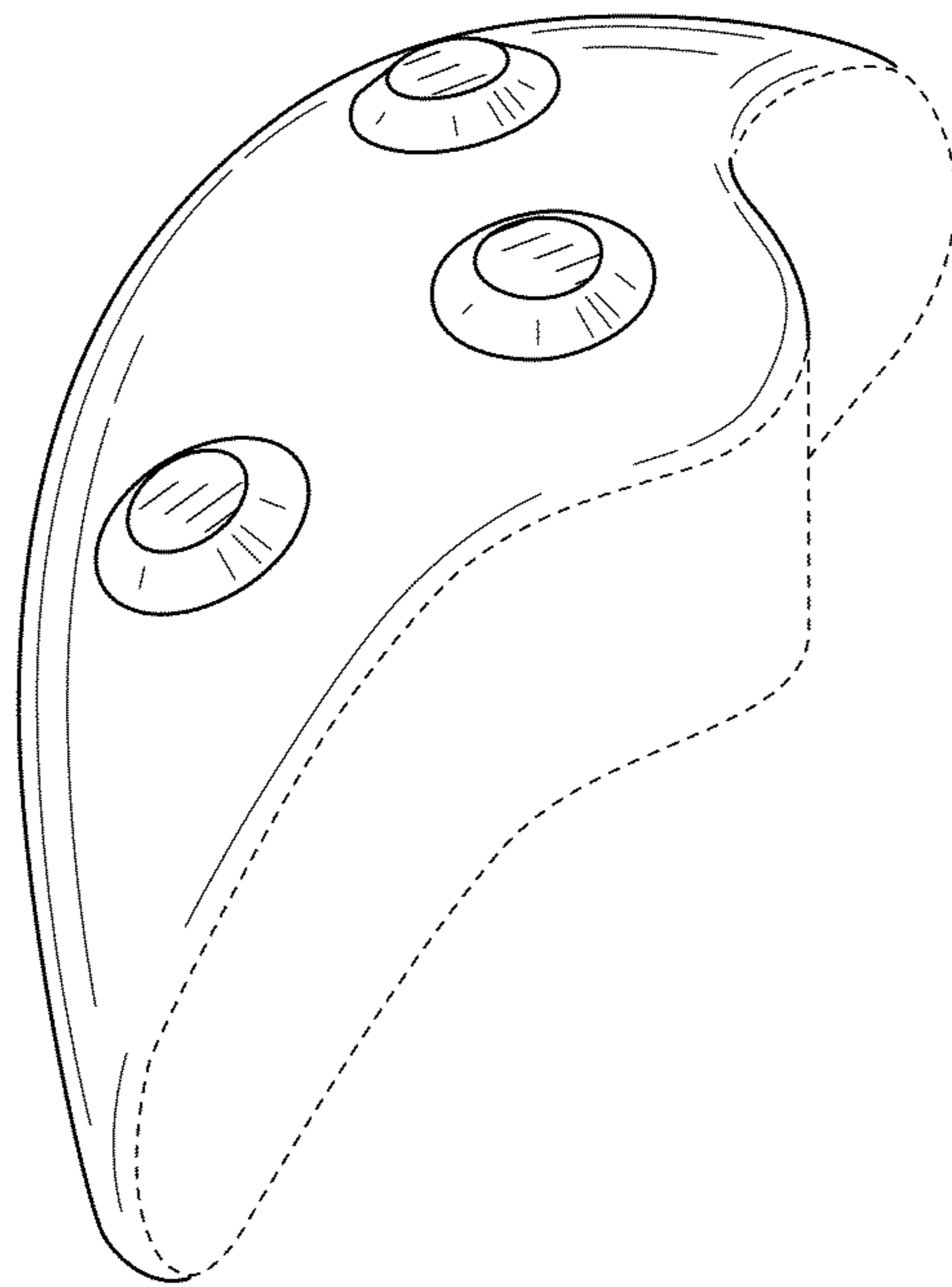


FIG. 15

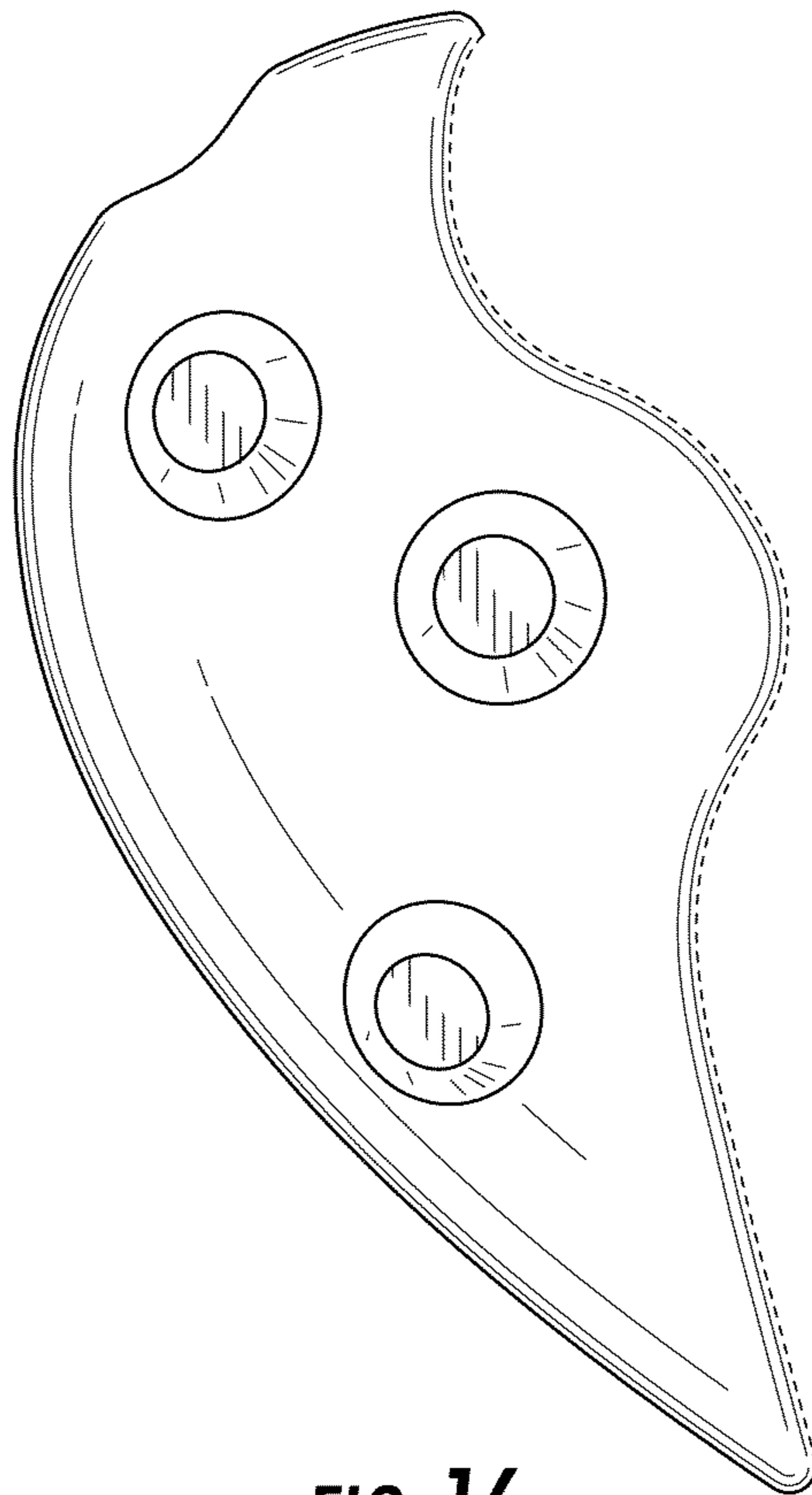


FIG. 16

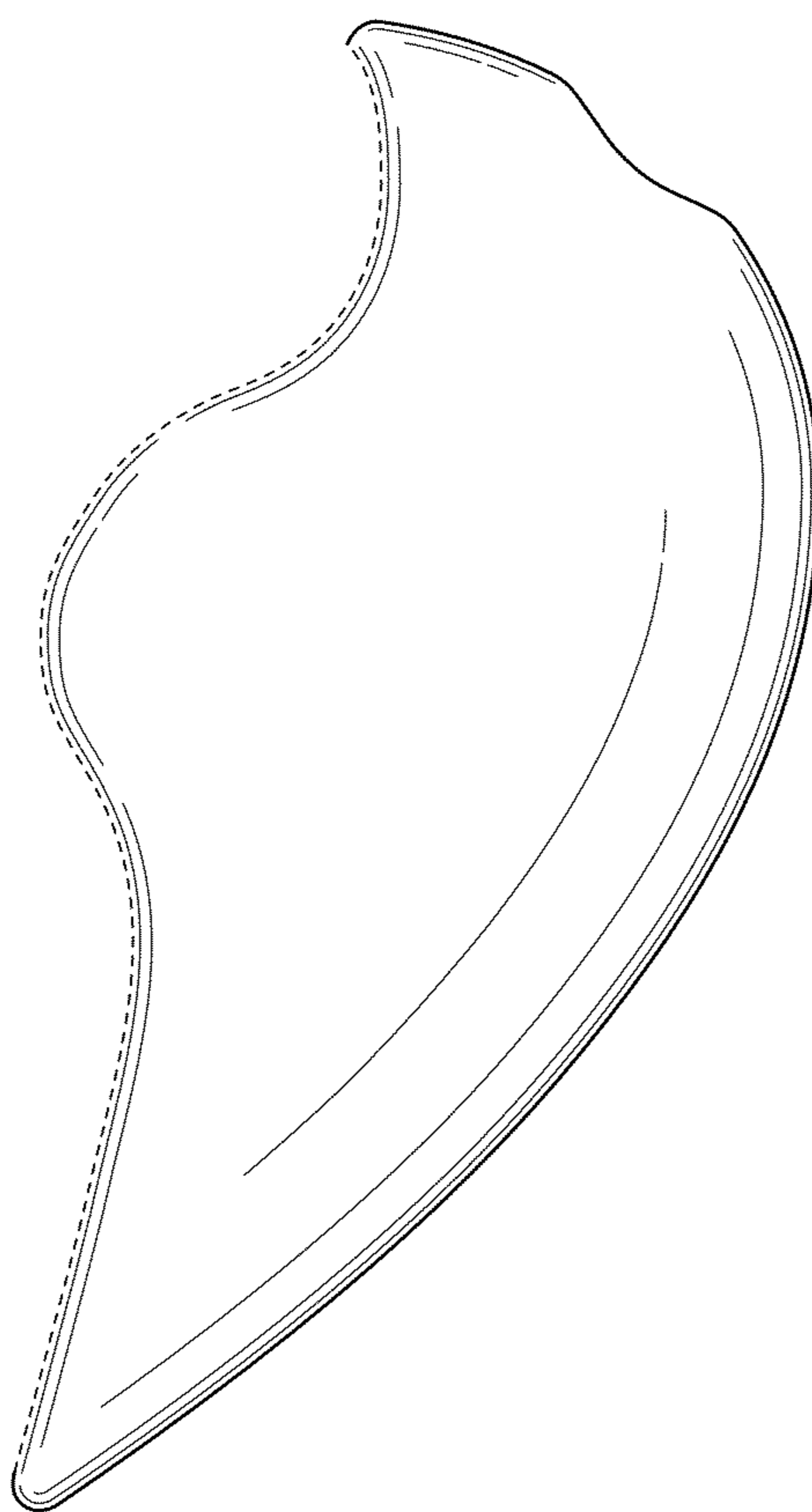


FIG. 17

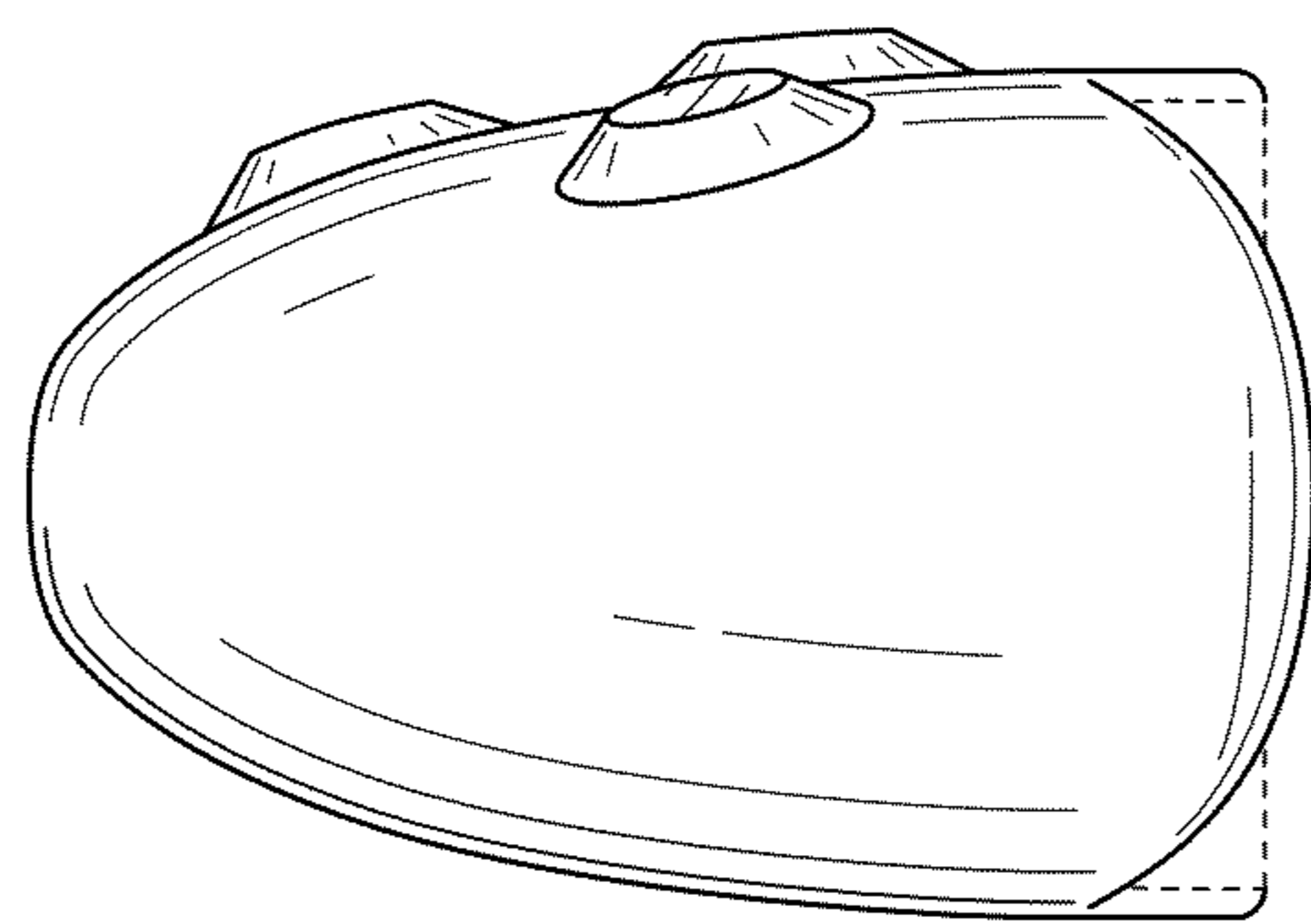


FIG. 18

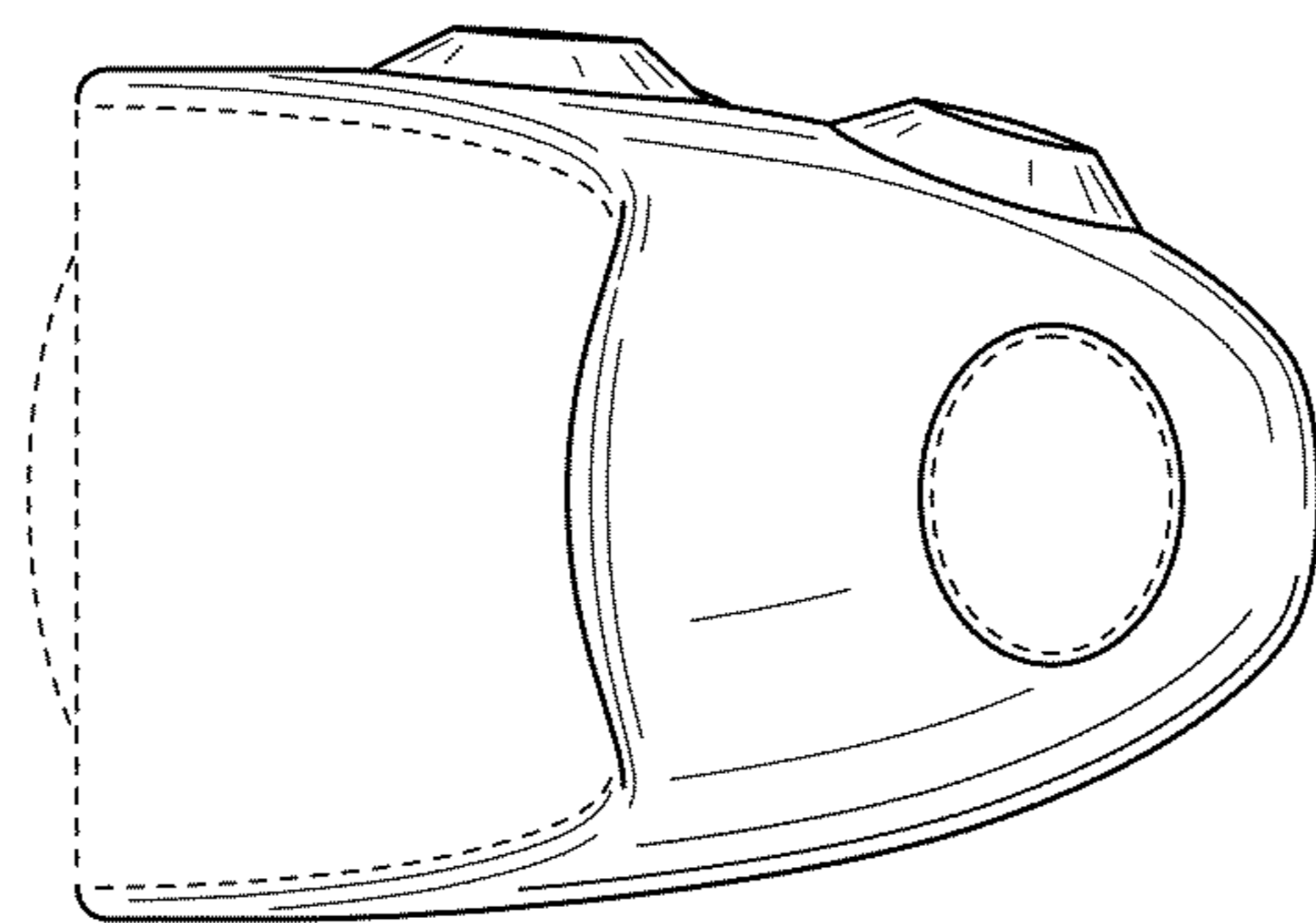


FIG. 19

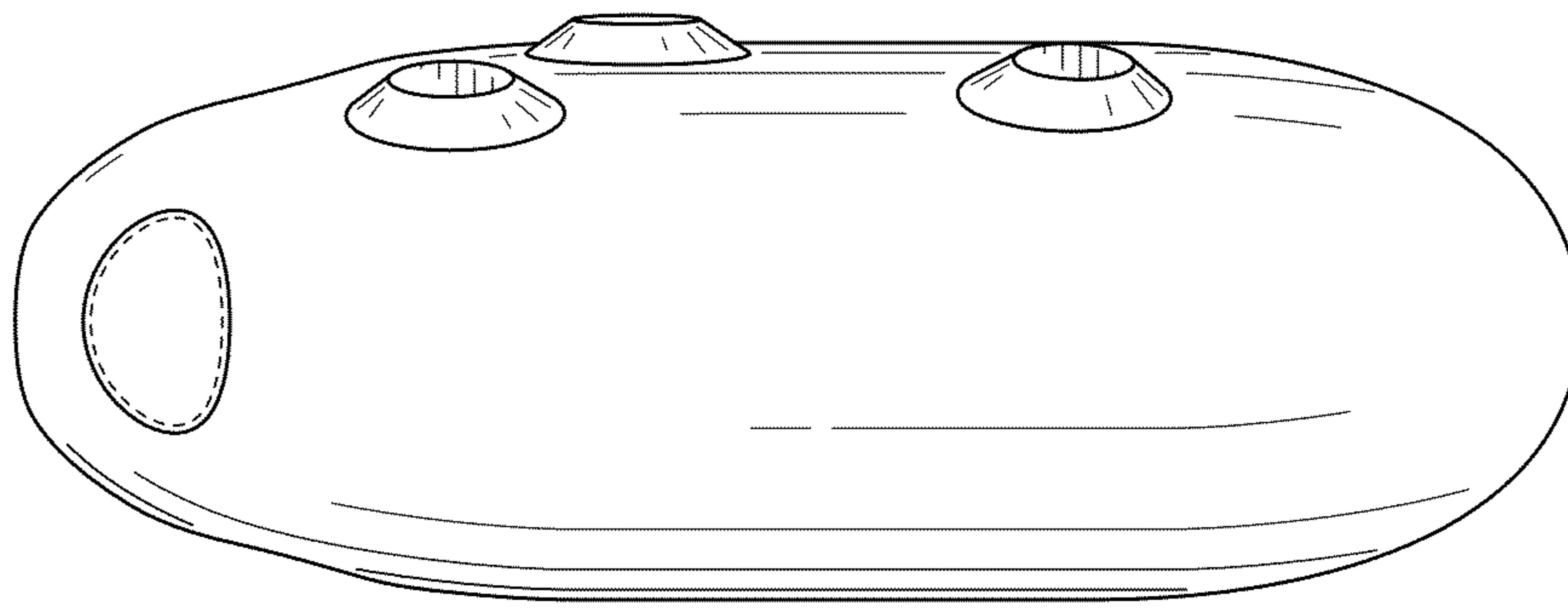


FIG. 20

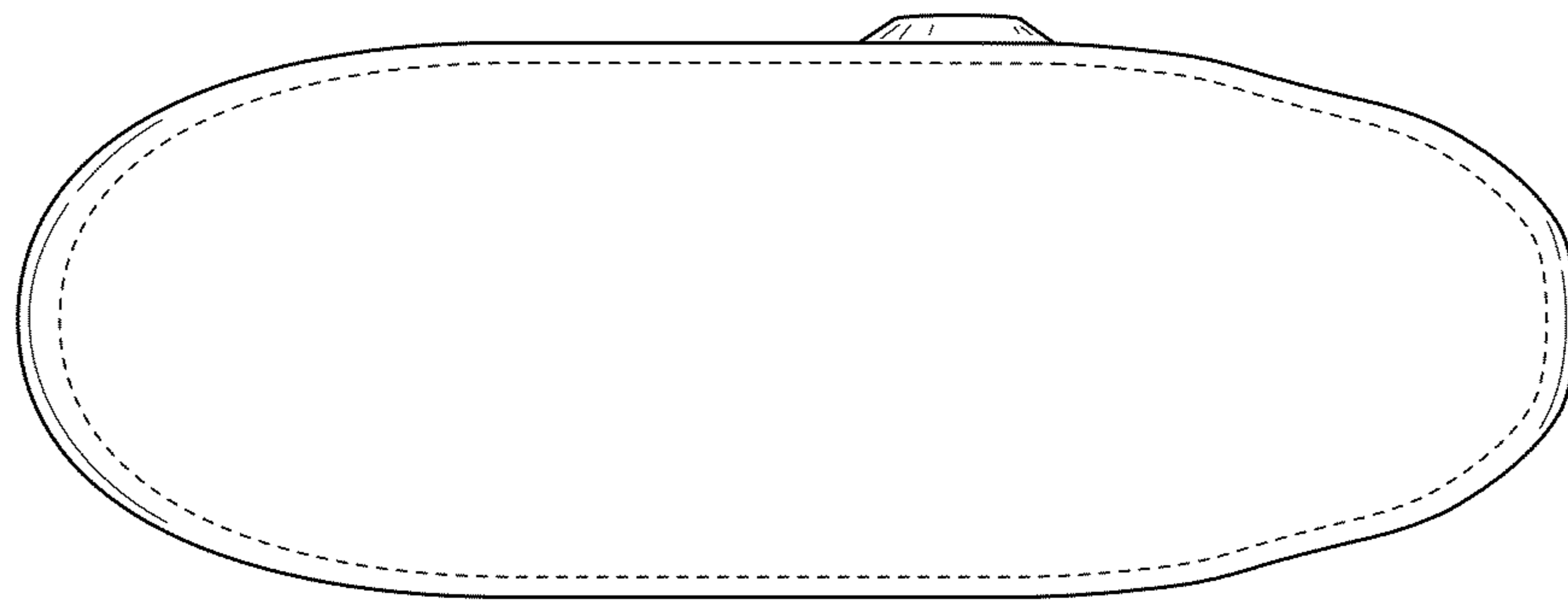


FIG. 21

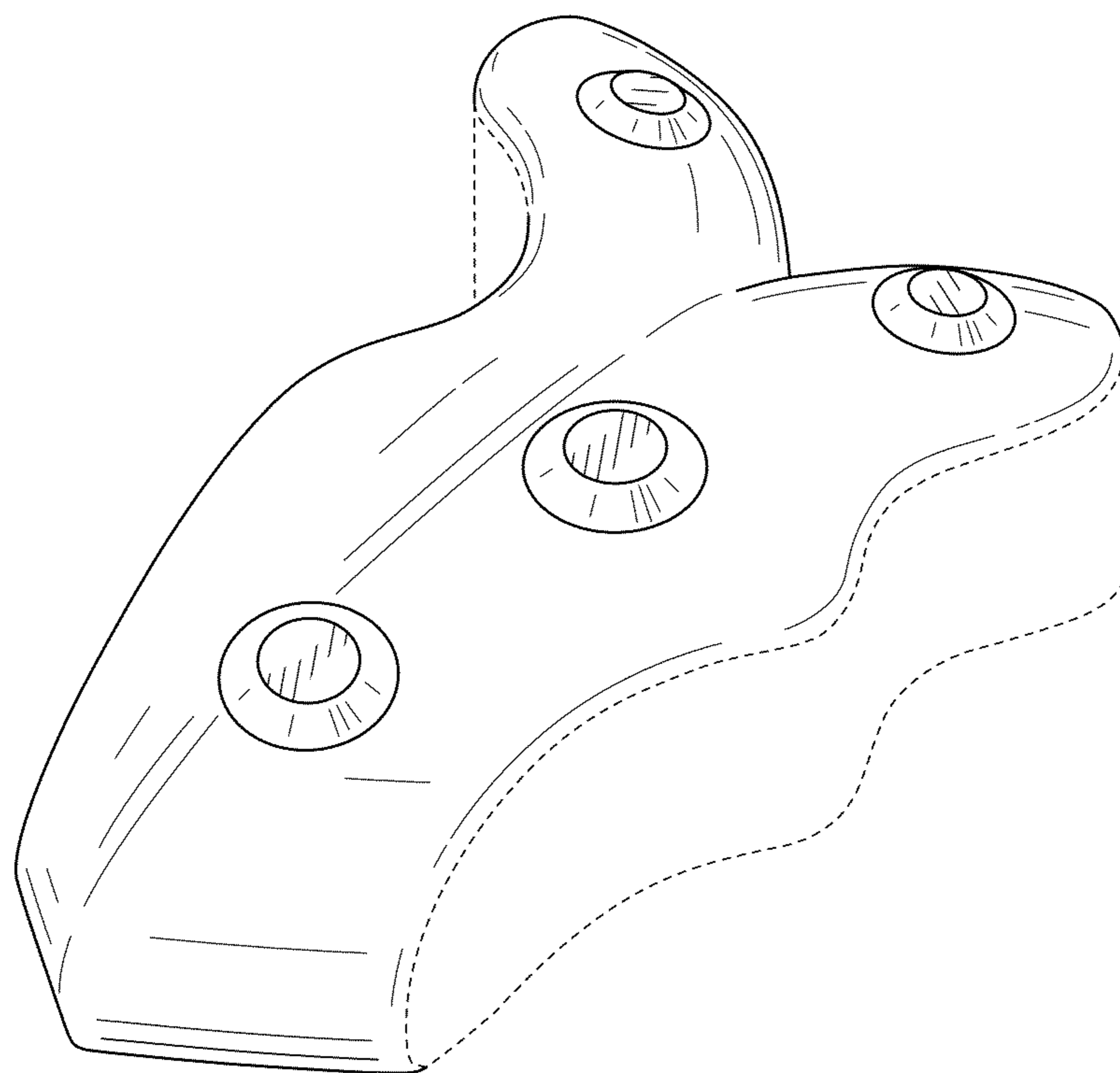


FIG. 22

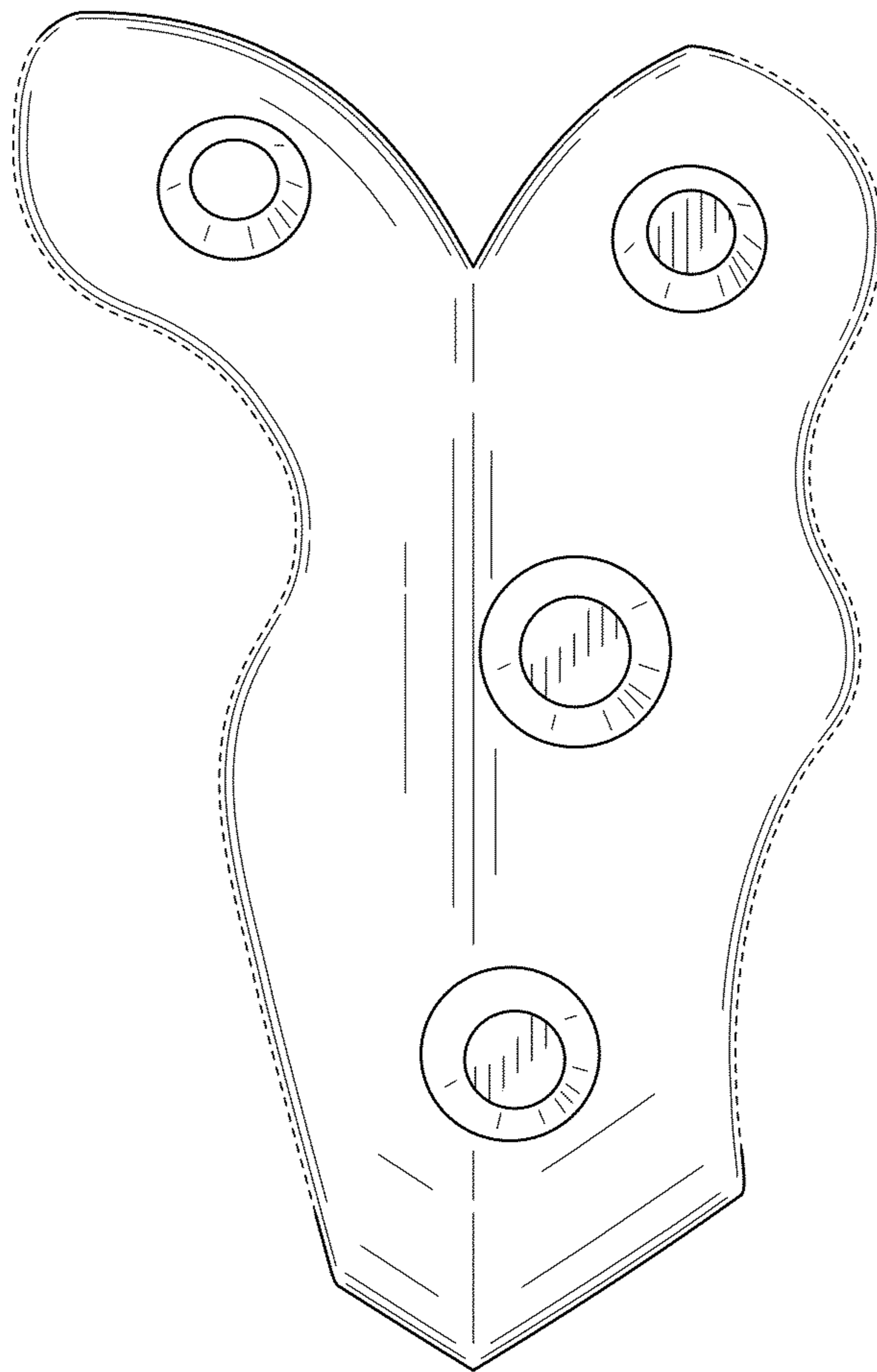


FIG. 23

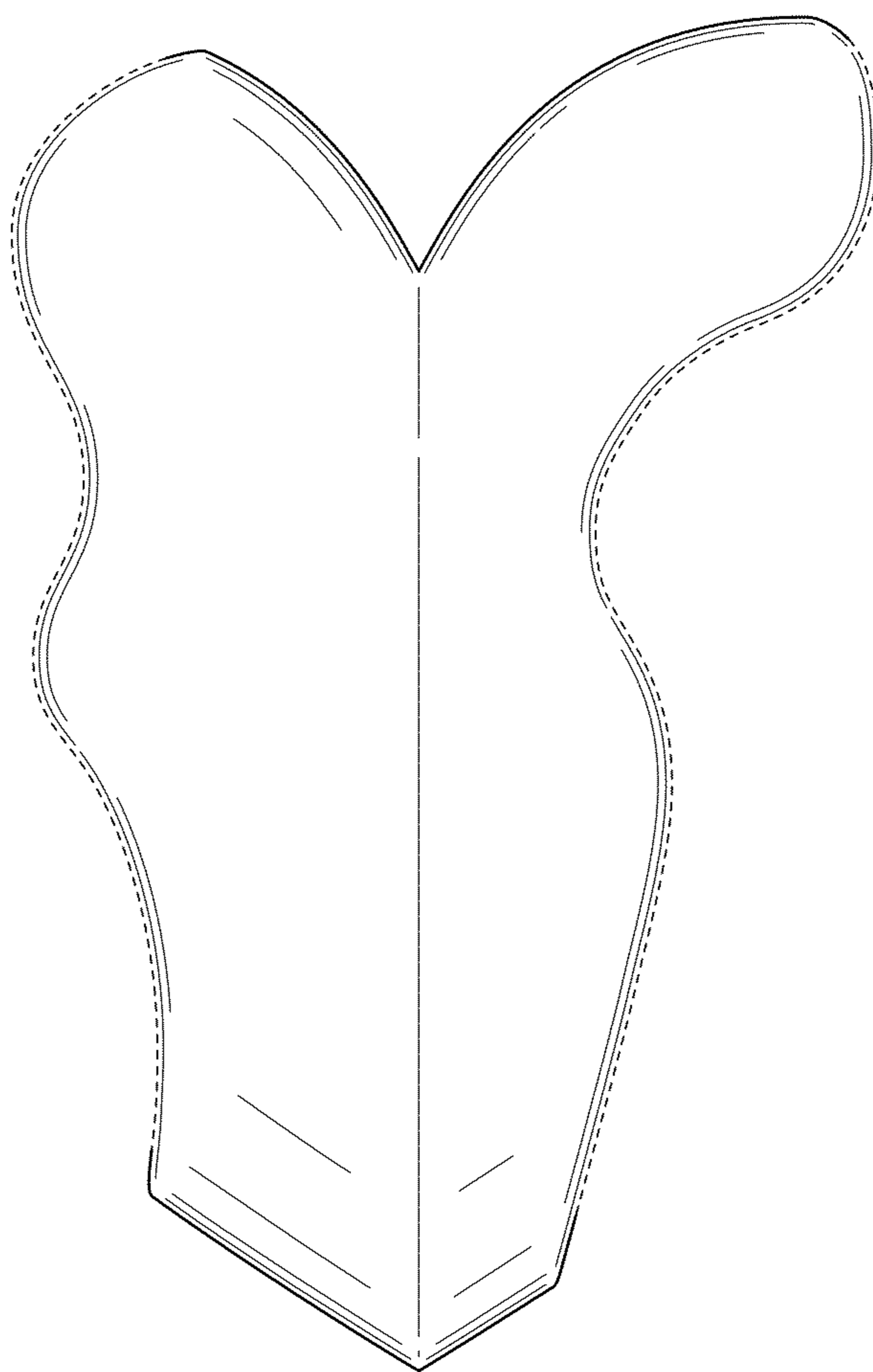


FIG. 24

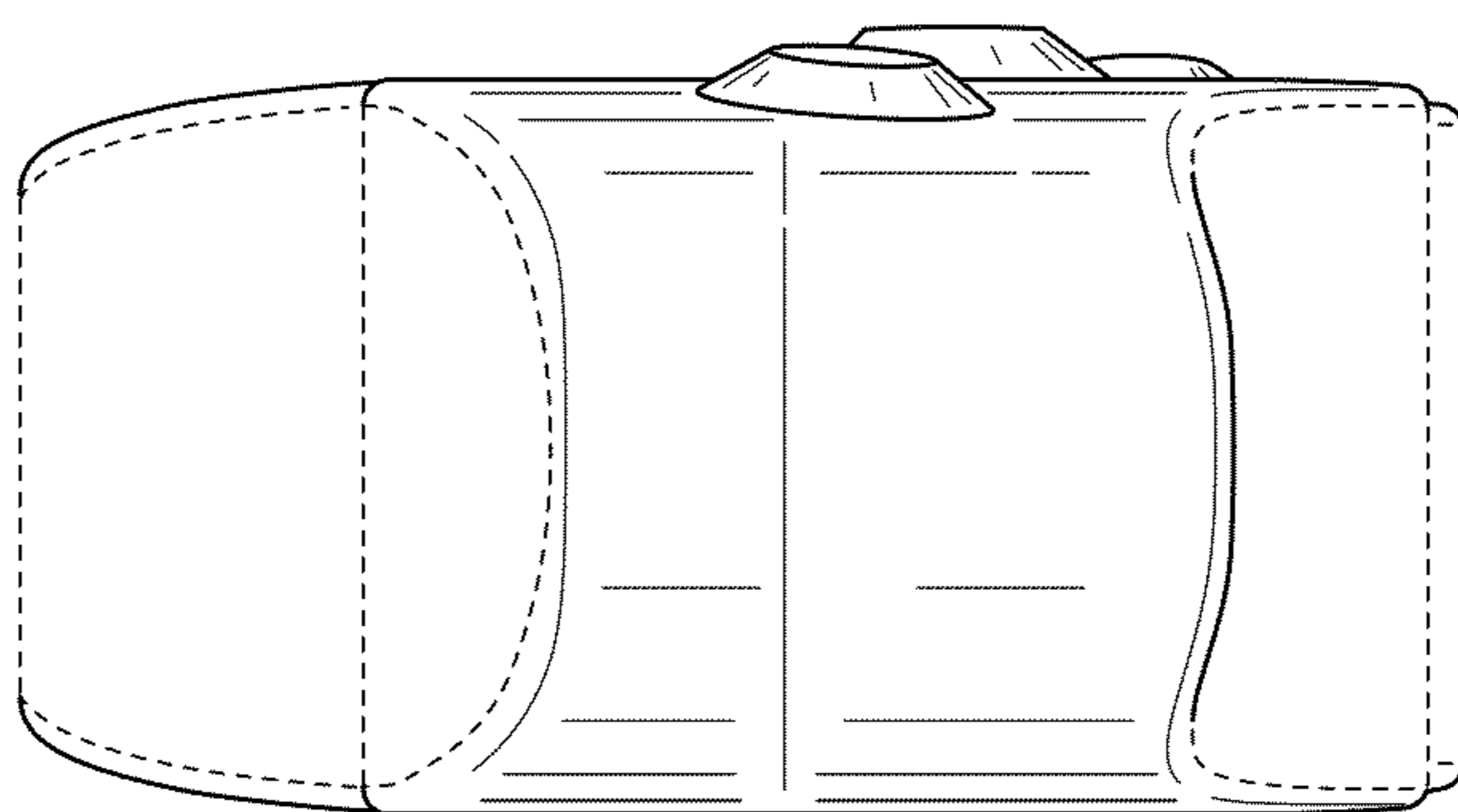


FIG. 25

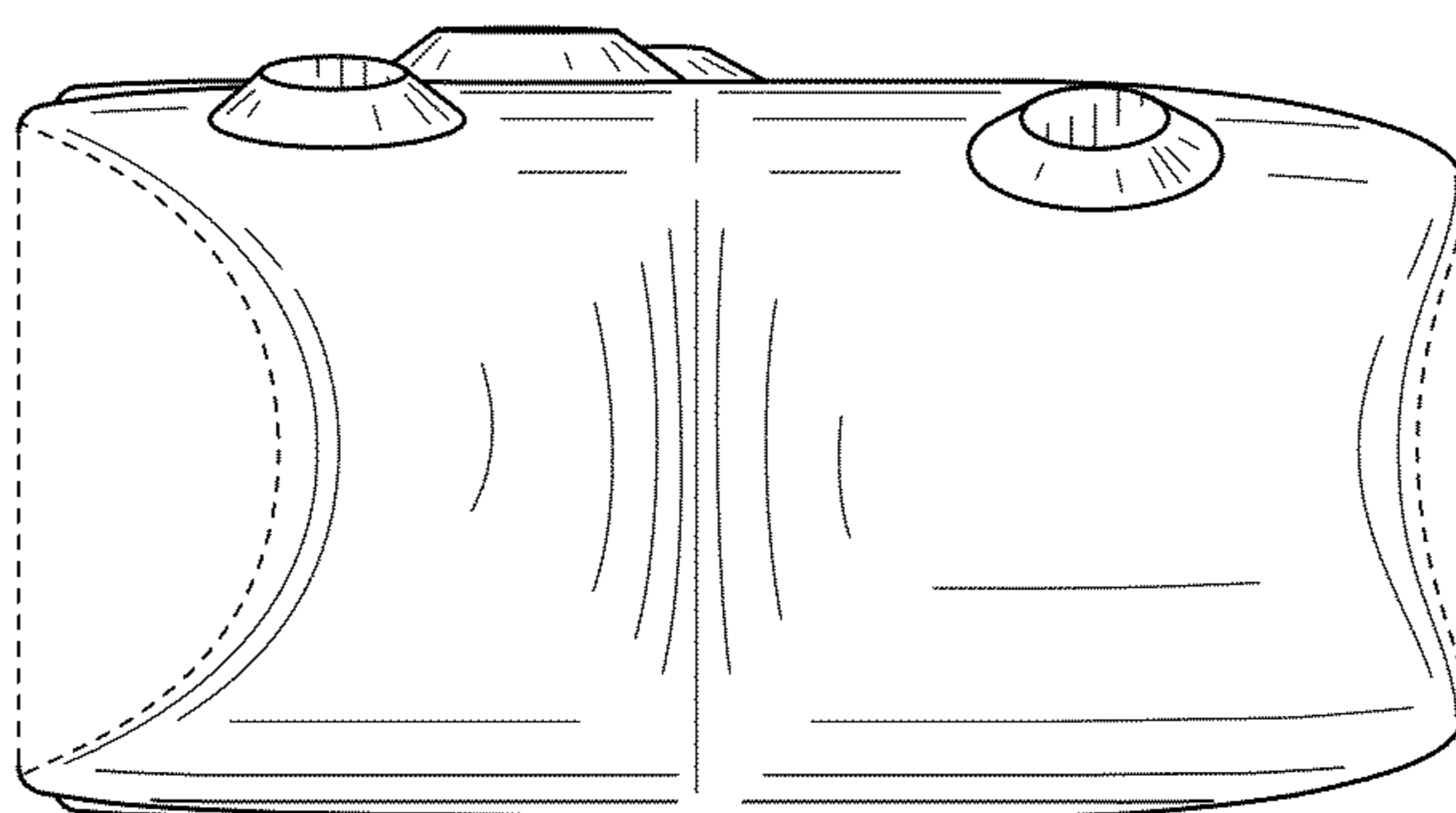


FIG. 26

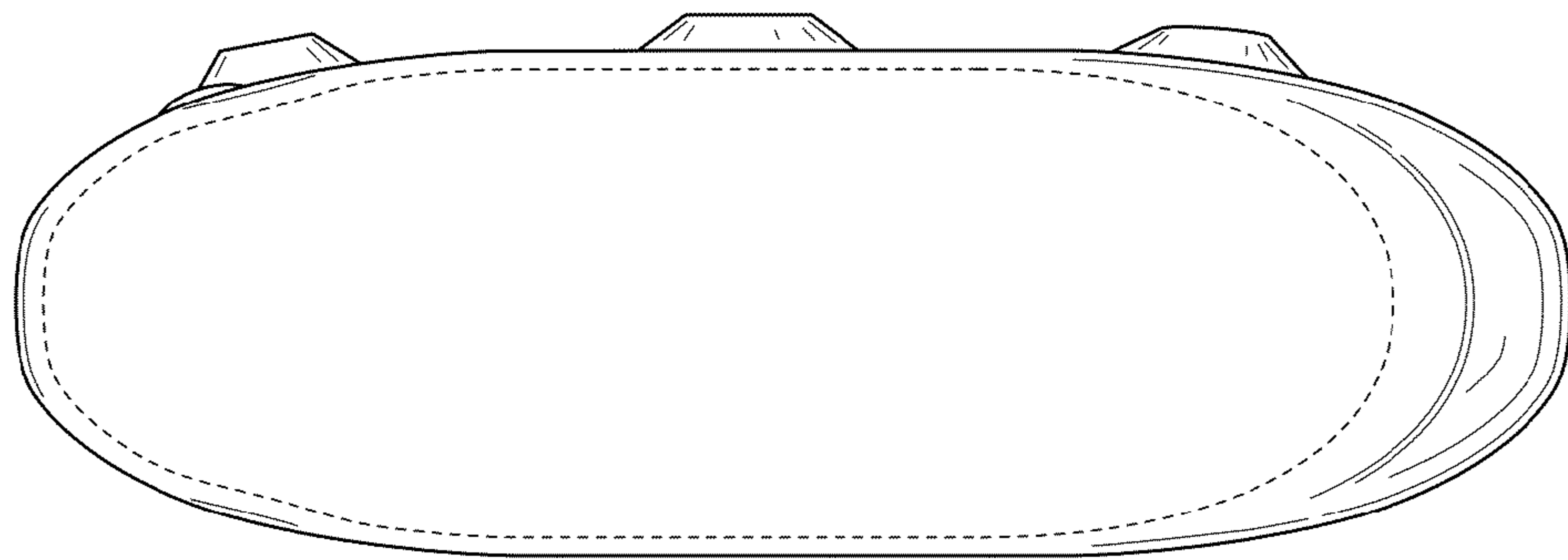


FIG. 27

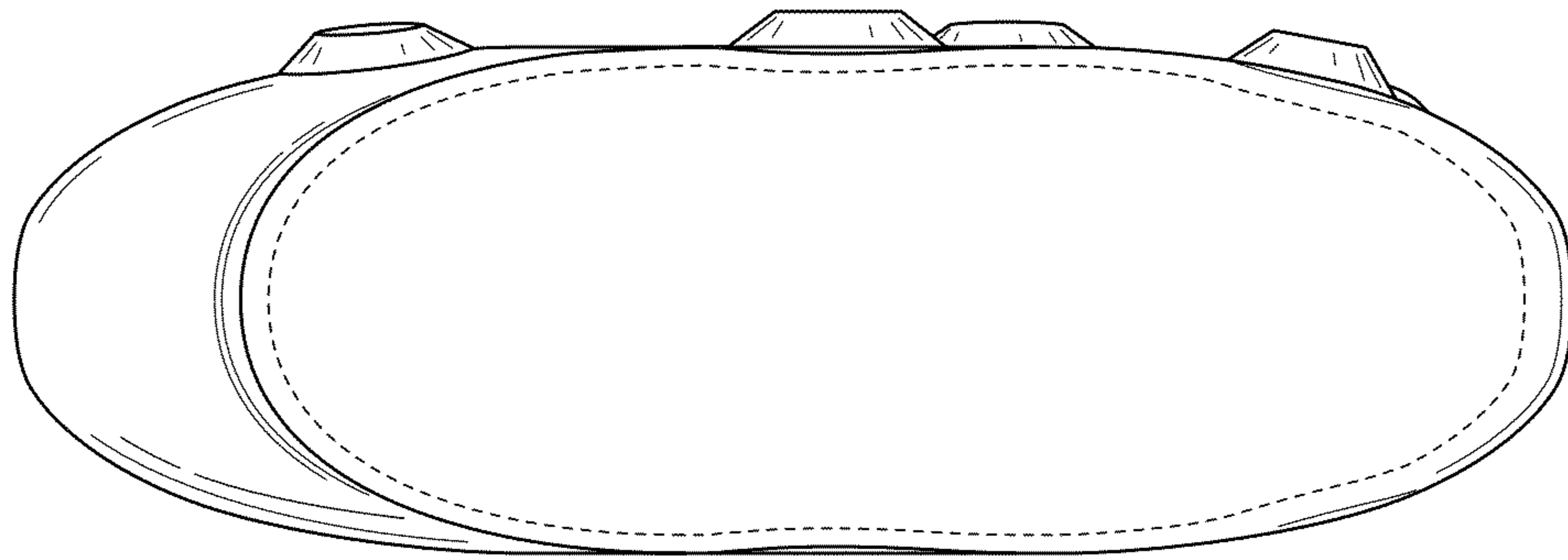


FIG. 28

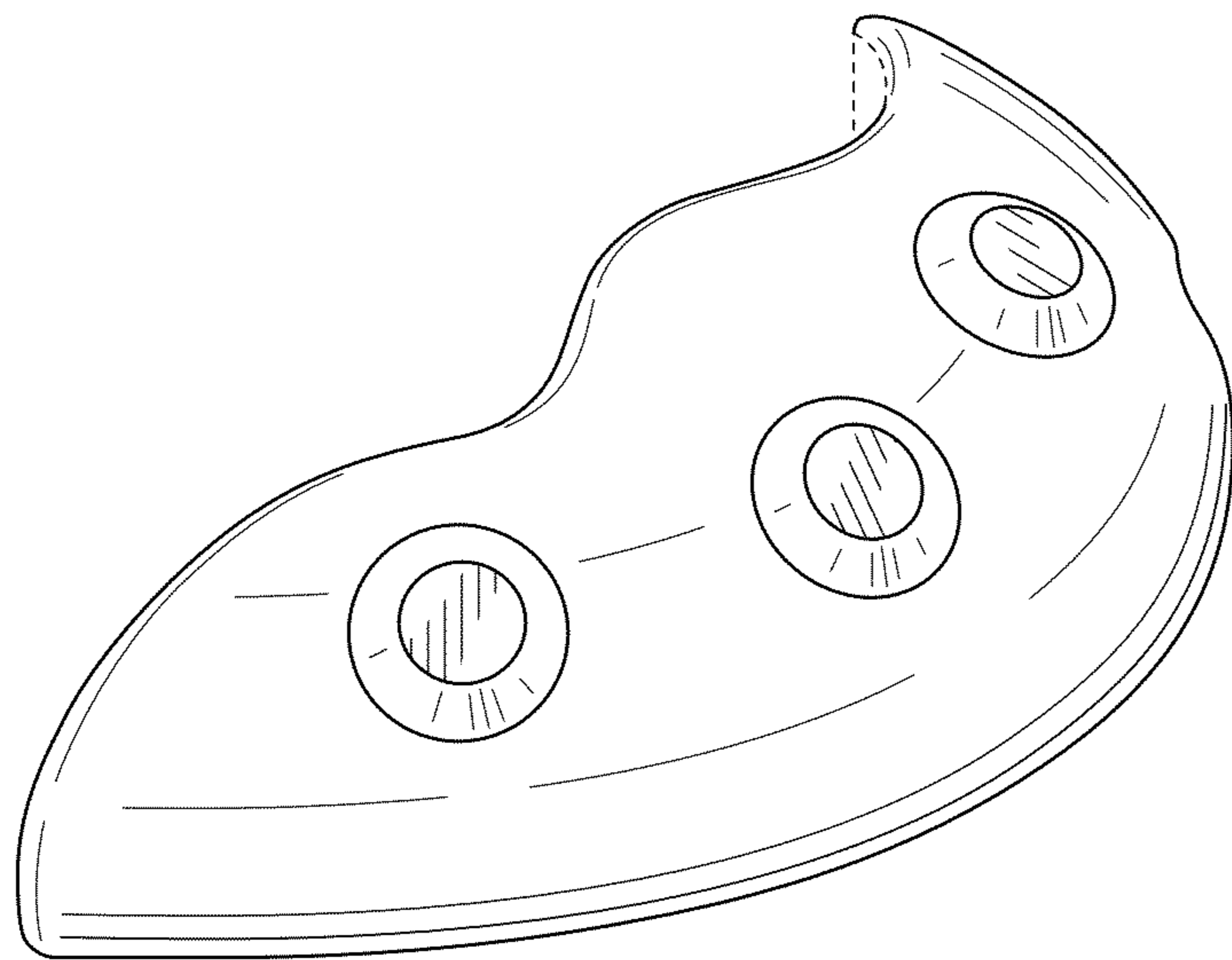


FIG. 29

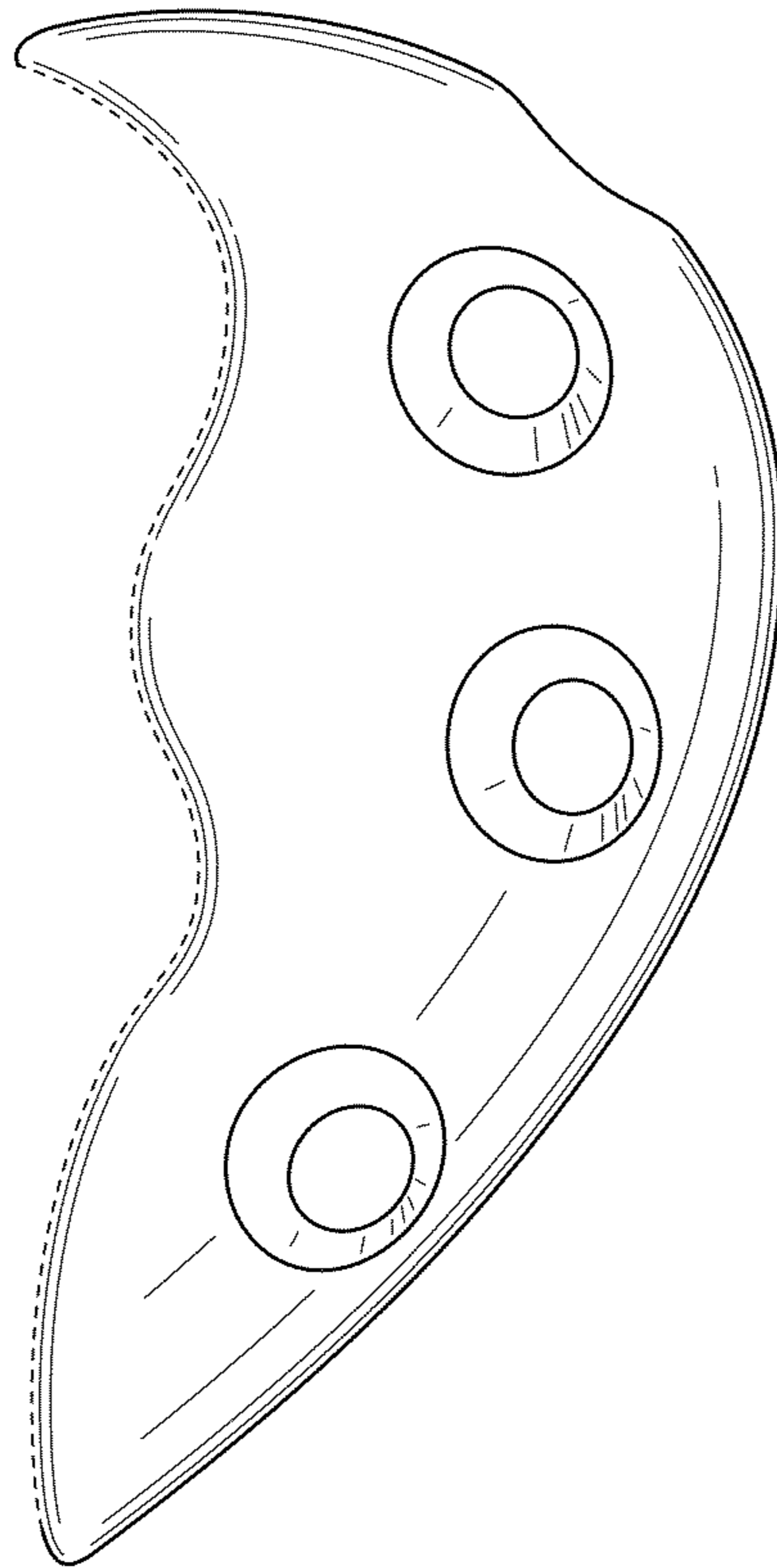


FIG. 30

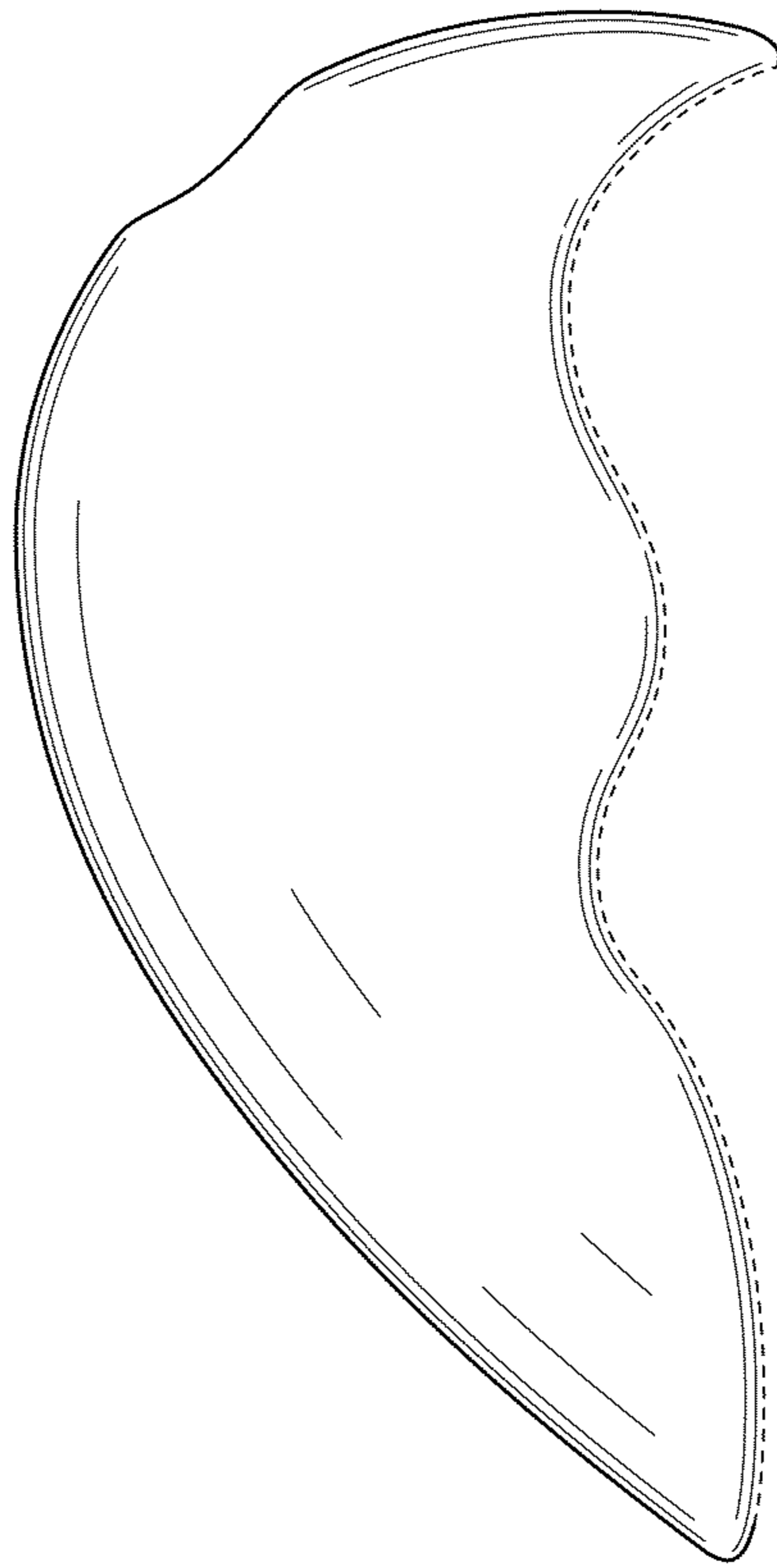


FIG. 31

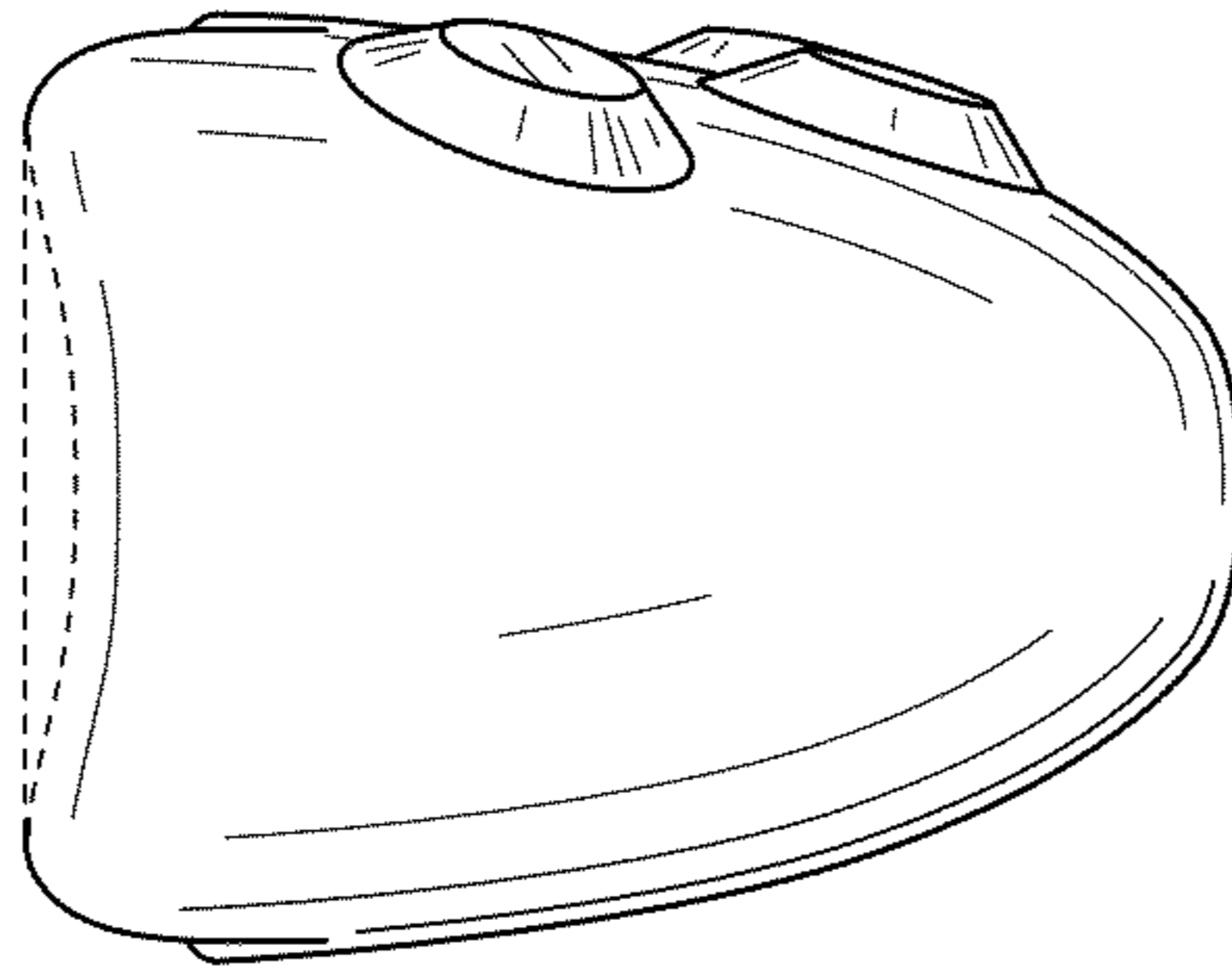


FIG. 32

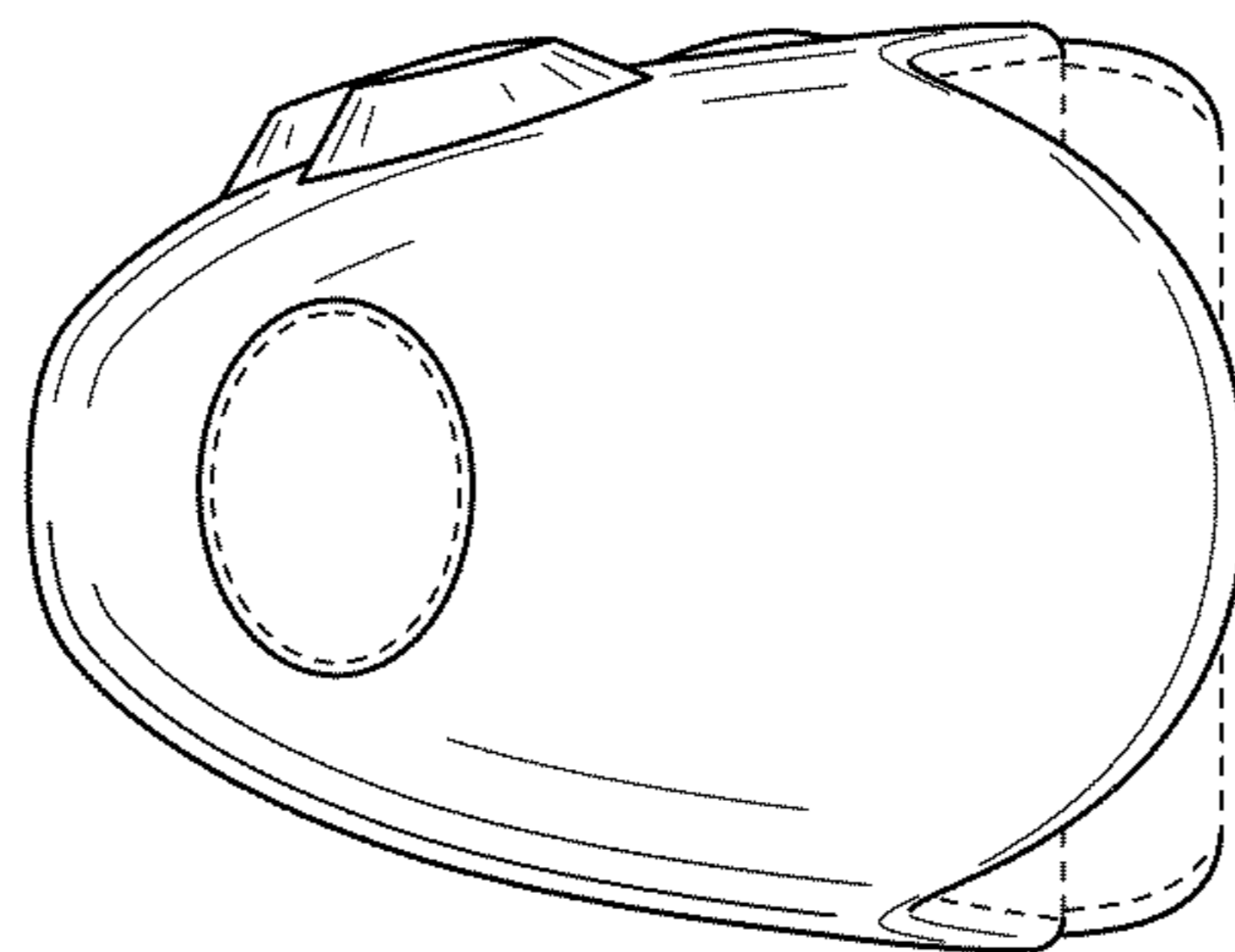


FIG. 33

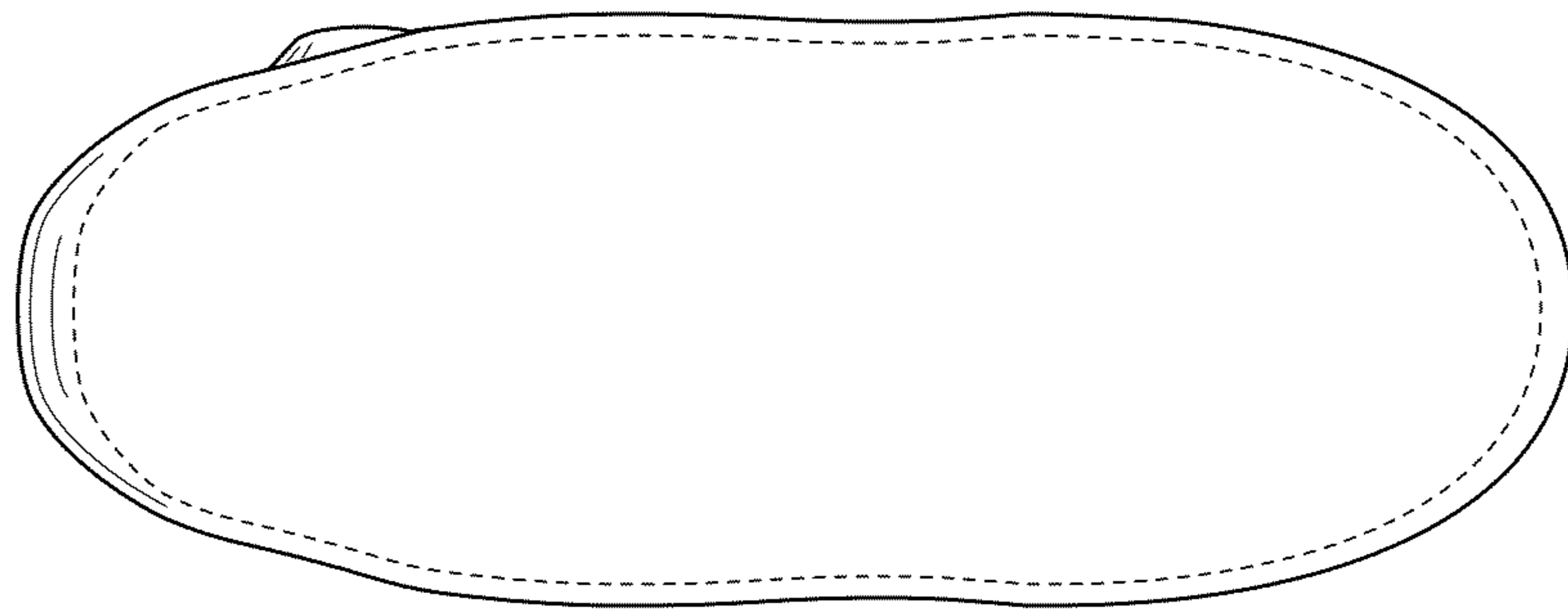


FIG. 34

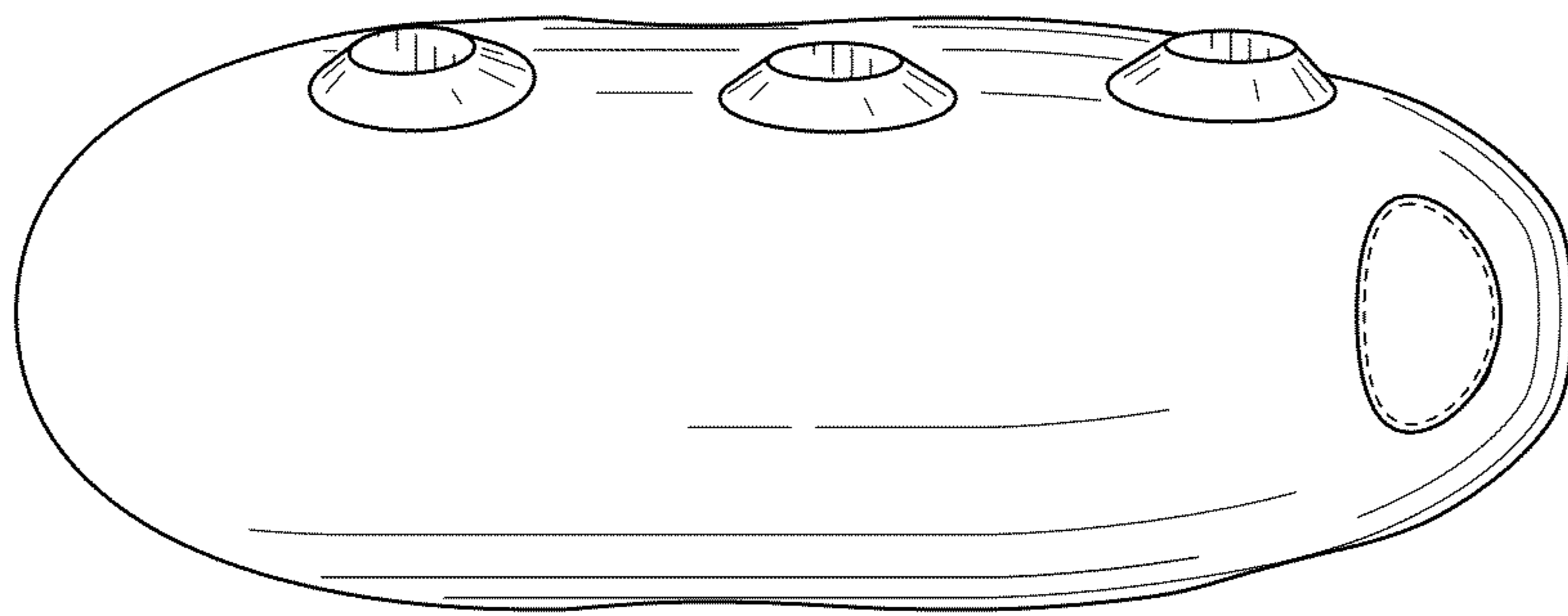


FIG. 35

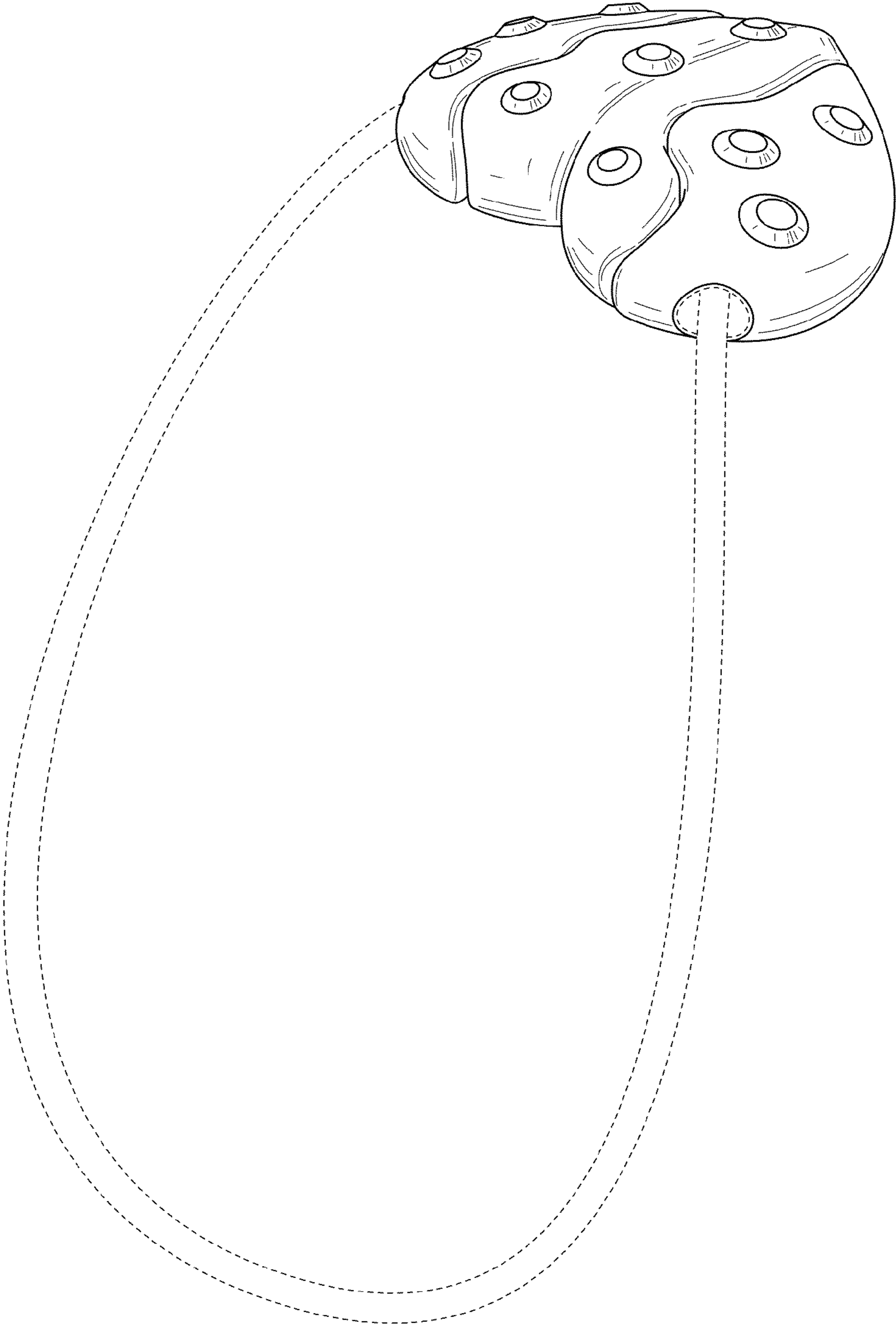


FIG. 36