



US00D710233S

(12) **United States Design Patent**
Wersching et al.

(10) **Patent No.:** **US D710,233 S**

(45) **Date of Patent:** **** Aug. 5, 2014**

(54) **END CAP FOR A VEHICLE TIRE DEFLATION DEVICE**

(71) Applicants: **James P. Wersching**, Cincinnati, OH (US); **Gary L. Uthe**, Fort Wright, KY (US); **Richard W. Block**, Cincinnati, OH (US); **Douglas A. Doty**, Madison, IN (US)

(72) Inventors: **James P. Wersching**, Cincinnati, OH (US); **Gary L. Uthe**, Fort Wright, KY (US); **Richard W. Block**, Cincinnati, OH (US); **Douglas A. Doty**, Madison, IN (US)

(73) Assignee: **Stop Stick, Ltd.**, Cincinnati, OH (US)

(**) Term: **14 Years**

(21) Appl. No.: **29/443,457**

(22) Filed: **Jan. 17, 2013**

(51) **LOC (10) Cl.** **10-05**

(52) **U.S. Cl.**
USPC **D10/121**

(58) **Field of Classification Search**
USPC D10/113.1-113.4; 116/63 P; 404/694; 256/13.1; 211/189; 102/336; 206/583; 424/409; 241/95; 188/32; 482/34
See application file for complete search history.

(56) **References Cited**

U.S. PATENT DOCUMENTS

3,931,894 A * 1/1976 Murphy 211/189
5,113,765 A * 5/1992 Carey et al. 102/336

5,330,285 A * 7/1994 Greves et al. 404/6
5,738,218 A * 4/1998 Gonzales 206/583
5,820,293 A * 10/1998 Groen et al. 404/6
5,890,832 A * 4/1999 Soleau 404/6
6,155,745 A * 12/2000 Groen et al. 404/6
6,187,328 B1 * 2/2001 Ballard et al. 424/409
D503,645 S * 4/2005 Wirth et al. D10/114.9
7,780,575 B1 * 8/2010 Goodwin et al. 482/34
2005/0006505 A1 * 1/2005 McNeeley et al. 241/95
2008/0264734 A1 * 10/2008 Walter 188/32

* cited by examiner

Primary Examiner — George D Kirschbaum

(74) *Attorney, Agent, or Firm* — Ulmer & Berne LLP

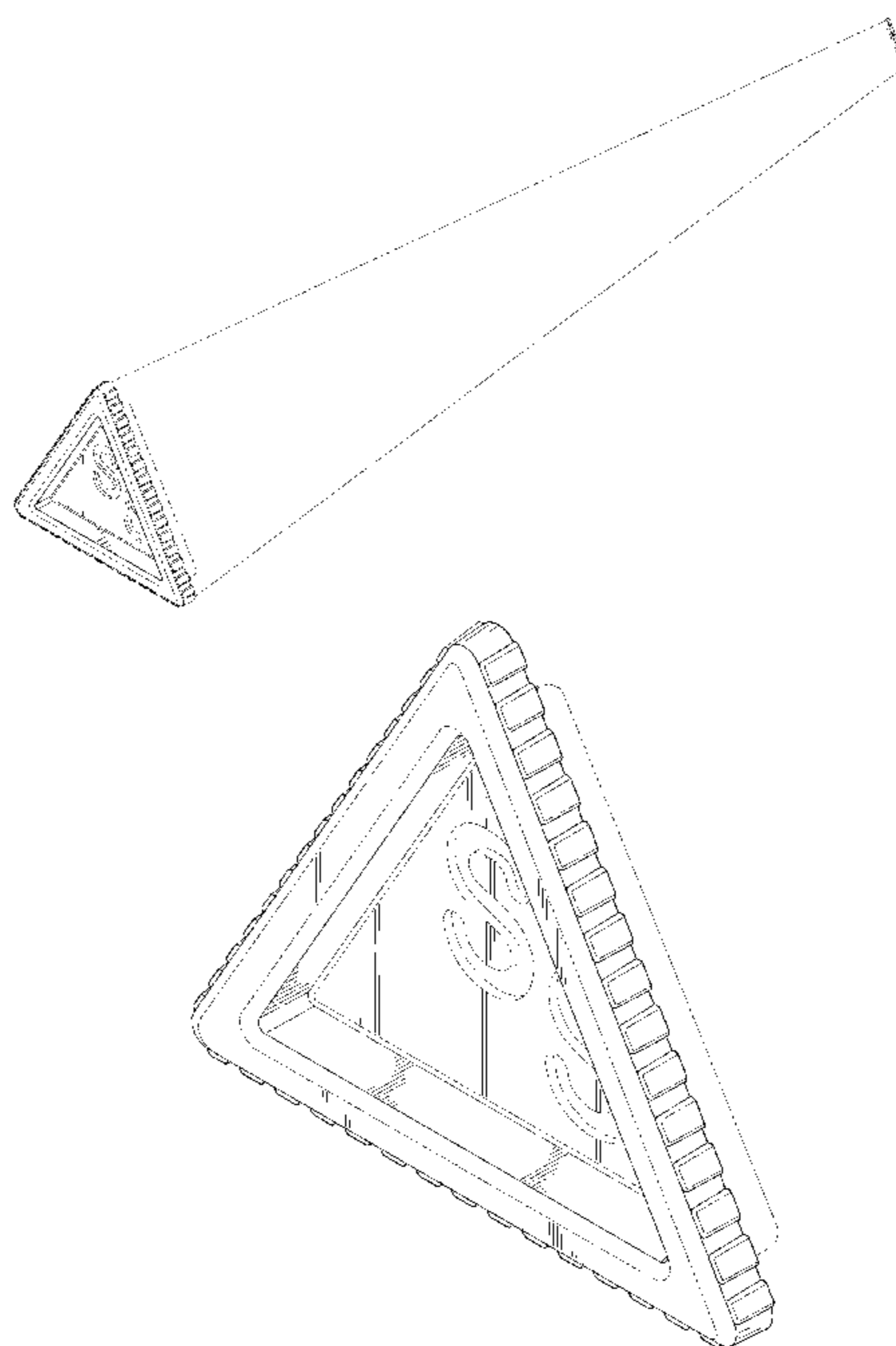
(57) **CLAIM**

The ornamental design for an end cap for a vehicle tire deflation device, as shown and described.

DESCRIPTION

FIG. 1 is a front perspective view of the end cap for a vehicle tire deflation device;
FIG. 2 is a front perspective view thereof;
FIG. 3 is a front elevation view thereof;
FIG. 4 is a right side elevation view thereof, the left side view being a mirror image thereof;
FIG. 5 is a rear elevation view thereof;
FIG. 6 is a top plan view thereof;
FIG. 7 is a bottom plan view thereof; and,
FIG. 8 is a rear perspective view thereof.
The broken line showing of a vehicle tire deflation device and indicia is included for the purpose of illustrating portions of the "article" and forms no part of the claimed design.

1 Claim, 6 Drawing Sheets



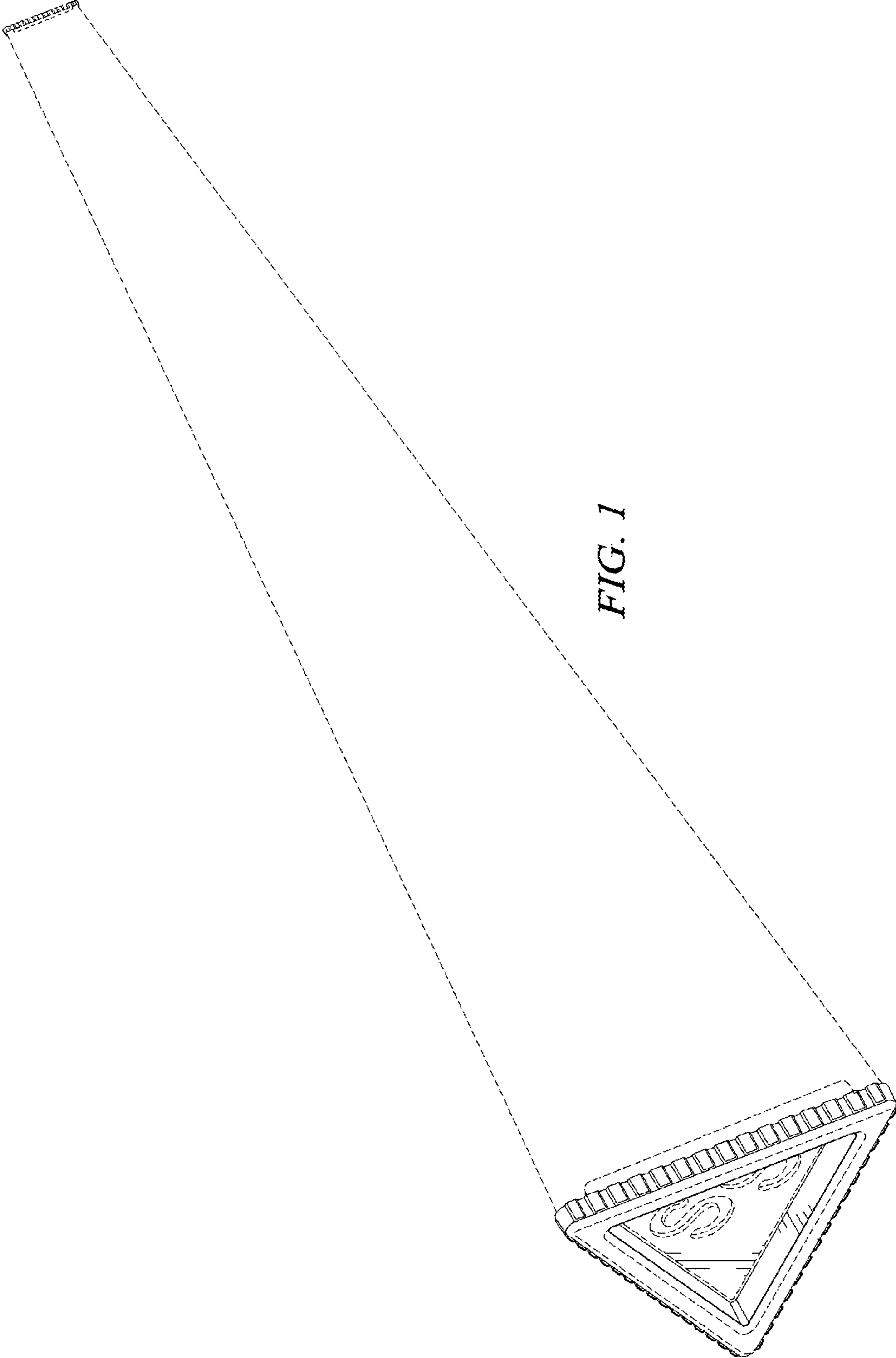


FIG. 1

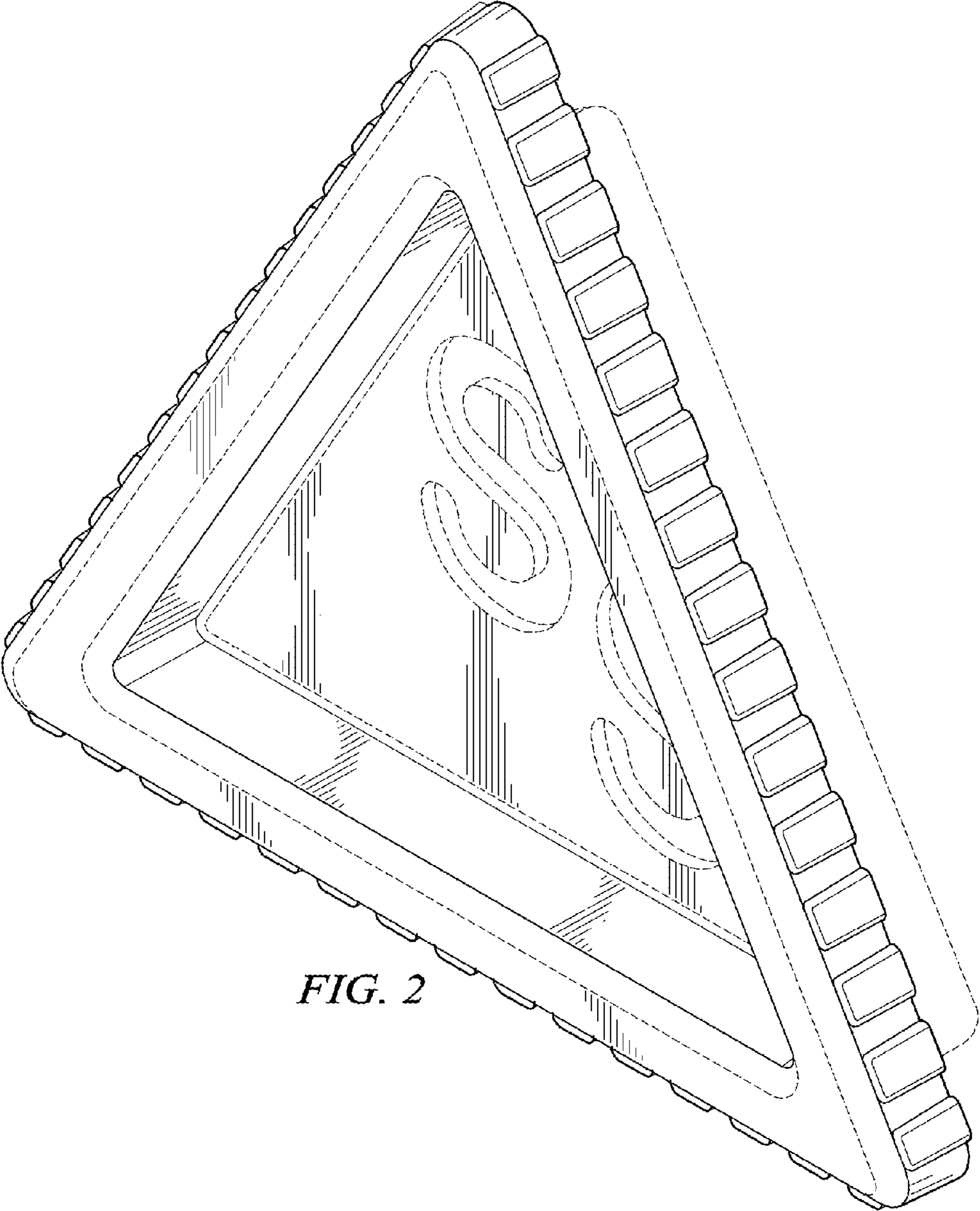


FIG. 2

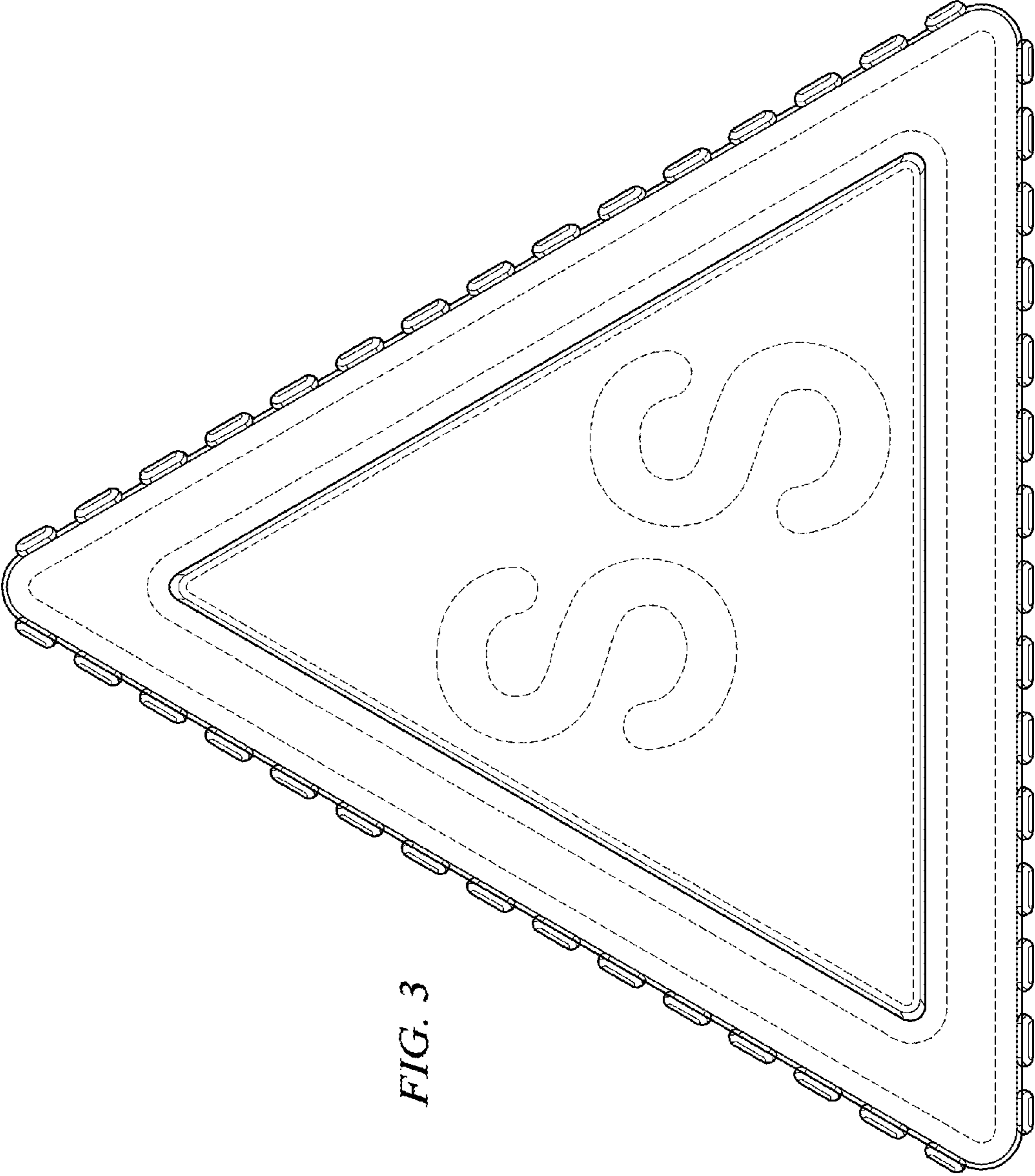
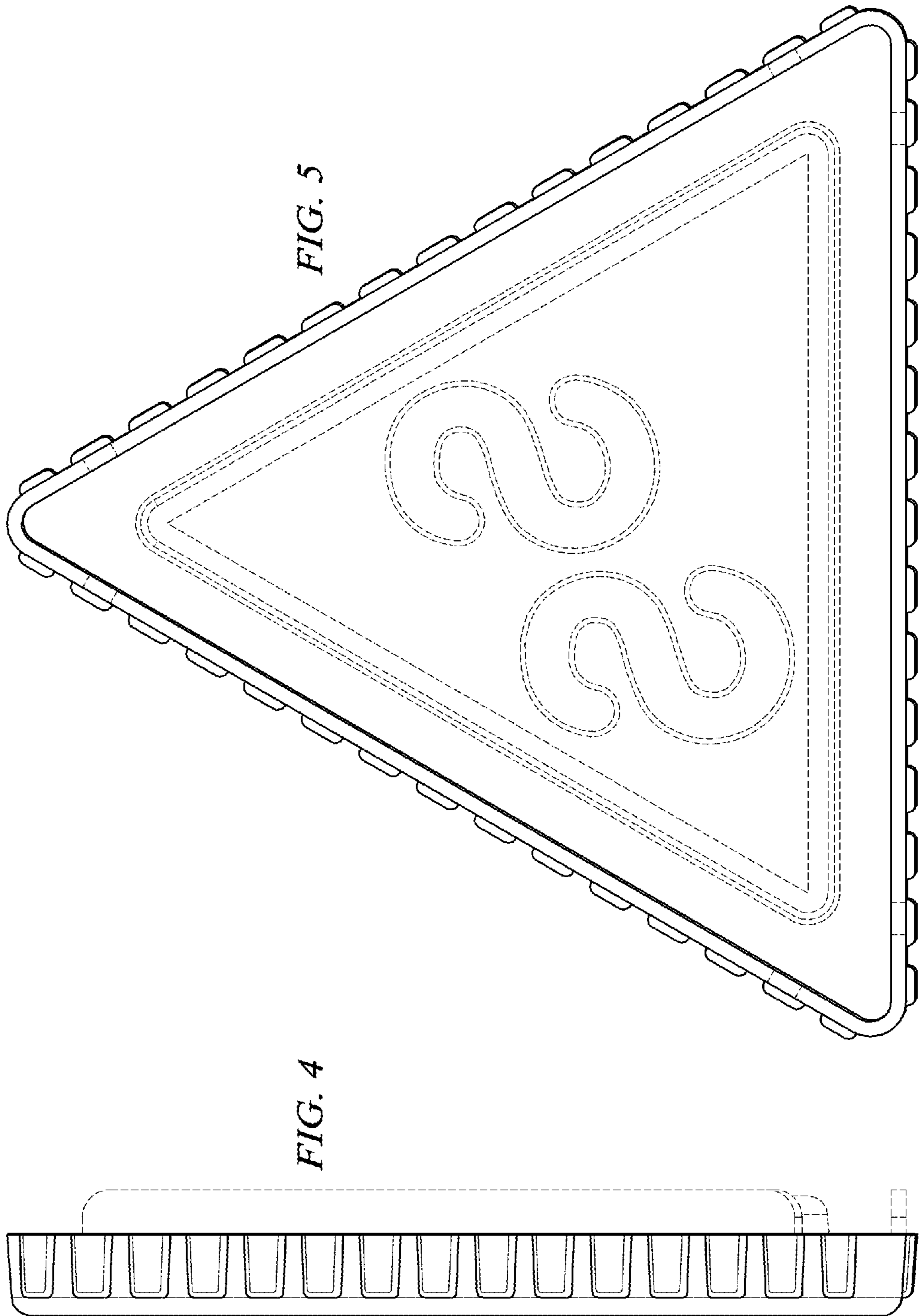


FIG. 3



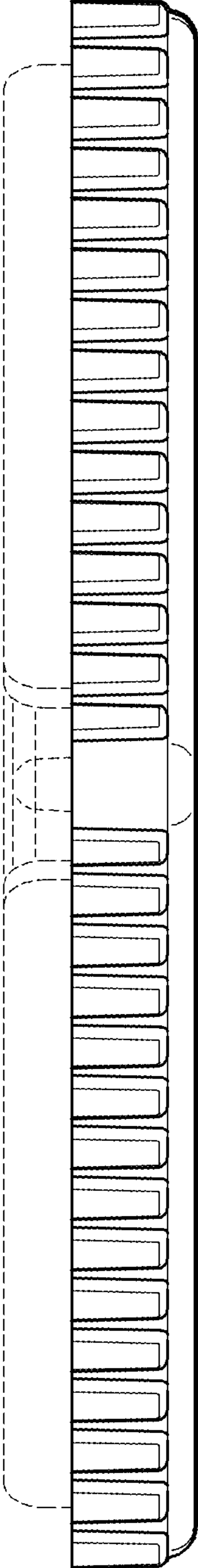


FIG. 6

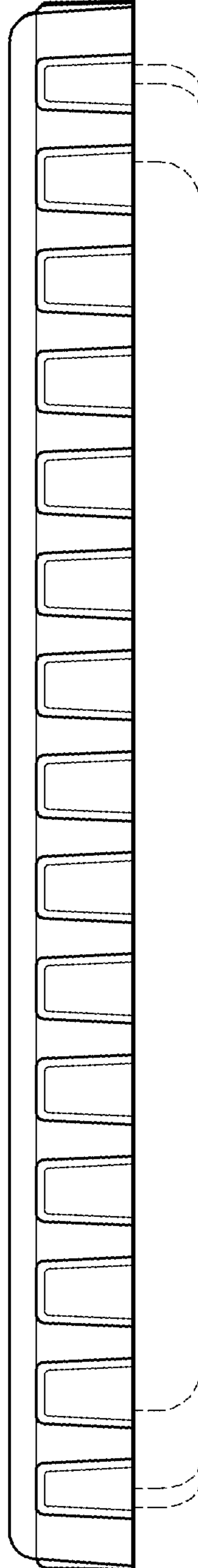


FIG. 7

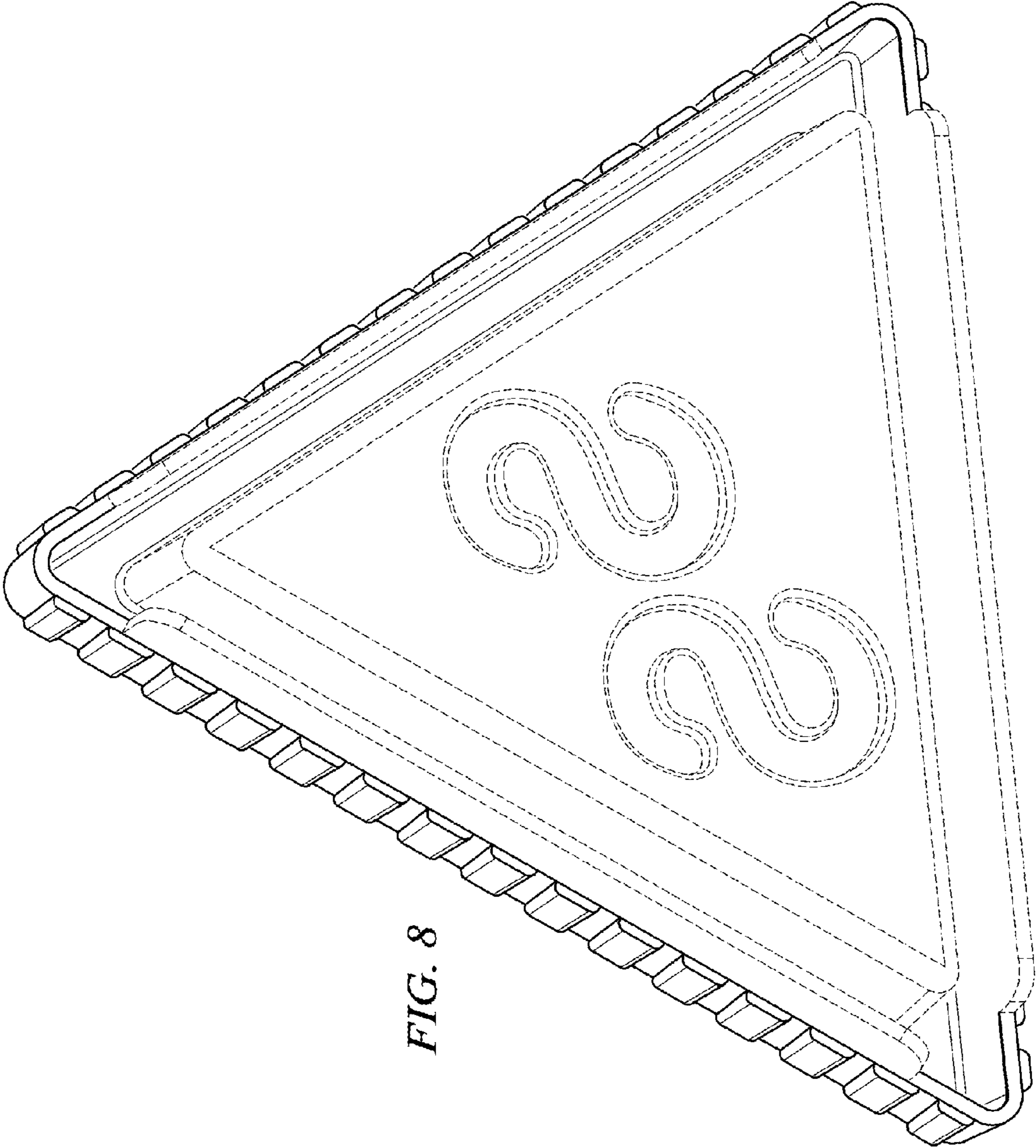


FIG. 8