



US00D710230S

(12) **United States Design Patent**  
**Burke**

(10) **Patent No.:** **US D710,230 S**

(45) **Date of Patent:** **\*\* Aug. 5, 2014**

(54) **PERSONAL EMERGENCY RESPONSE SYSTEM**

(71) Applicant: **Numera**, Seattle, WA (US)

(72) Inventor: **Jonathan Christopher Burke**, Berkeley, CA (US)

(73) Assignee: **Numera, Inc.**, Seattle, WA (US)

(\*\*) Term: **14 Years**

(21) Appl. No.: **29/451,215**

(22) Filed: **Mar. 28, 2013**

(51) **LOC (10) Cl.** ..... **10-05**

(52) **U.S. Cl.**  
USPC ..... **D10/104.1**

(58) **Field of Classification Search**  
USPC ..... D10/104.1, 104.2, 31, 32, 70;  
340/573.4; D24/169

See application file for complete search history.

(56) **References Cited**

U.S. PATENT DOCUMENTS

D381,922 S	8/1997	Casperson	
D391,878 S	3/1998	Alleyne	
D413,118 S	8/1999	Waldner	
D433,395 S	11/2000	Wong	
D481,033 S *	10/2003	Peiker	D14/253
D483,281 S	12/2003	Cobigo	
D485,772 S	1/2004	Cisneros	
D487,470 S	3/2004	Cobigo	
D499,077 S	11/2004	Kudou et al.	
D504,397 S	4/2005	Lodato et al.	
7,072,659 B2	7/2006	White	
D534,862 S	1/2007	Aguilar	
7,231,200 B2	6/2007	Jenkins	
D545,791 S	7/2007	Jameson et al.	
D564,387 S *	3/2008	Rubin et al.	D10/104.1

D575,182 S	8/2008	Rubin et al.	
D579,810 S *	11/2008	Campman	D10/104.1
D601,258 S *	9/2009	Bell et al.	D24/169
D606,545 S	12/2009	Salmon	
D608,350 S	1/2010	Bo	
D615,438 S	5/2010	Goetzl et al.	
D622,685 S	8/2010	Garra et al.	
7,783,278 B2	8/2010	MacIver et al.	
D635,979 S	4/2011	Wu et al.	
D636,371 S	4/2011	Spielvogel	
D636,395 S	4/2011	Anderson et al.	
D645,847 S	9/2011	Chau et al.	
D653,573 S	2/2012	Kurumagawa et al.	
D673,473 S *	1/2013	Hogg	D10/104.1
D696,223 S *	12/2013	Will et al.	D14/155
2004/0263338 A1 *	12/2004	Katz	340/573.4

\* cited by examiner

*Primary Examiner* — George D Kirschbaum

(74) *Attorney, Agent, or Firm* — Dennis A. Bennett; Gale Starkey

(57) **CLAIM**

The ornamental design for a personal emergency response system, as shown and described.

**DESCRIPTION**

FIG. 1 is a front perspective view of a personal emergency response system with device and charging base showing my/our new design;  
FIG. 2 is a back perspective view thereof;  
FIG. 3 is a front elevation view thereof;  
FIG. 4 is a left side elevation view thereof;  
FIG. 5 is a right side elevation view thereof;  
FIG. 6 is a back elevation view thereof;  
FIG. 7 is a top plan view thereof; and,  
FIG. 8 is a bottom plan view thereof.  
The broken lines depict unclaimed environmental subject matter.

**1 Claim, 4 Drawing Sheets**

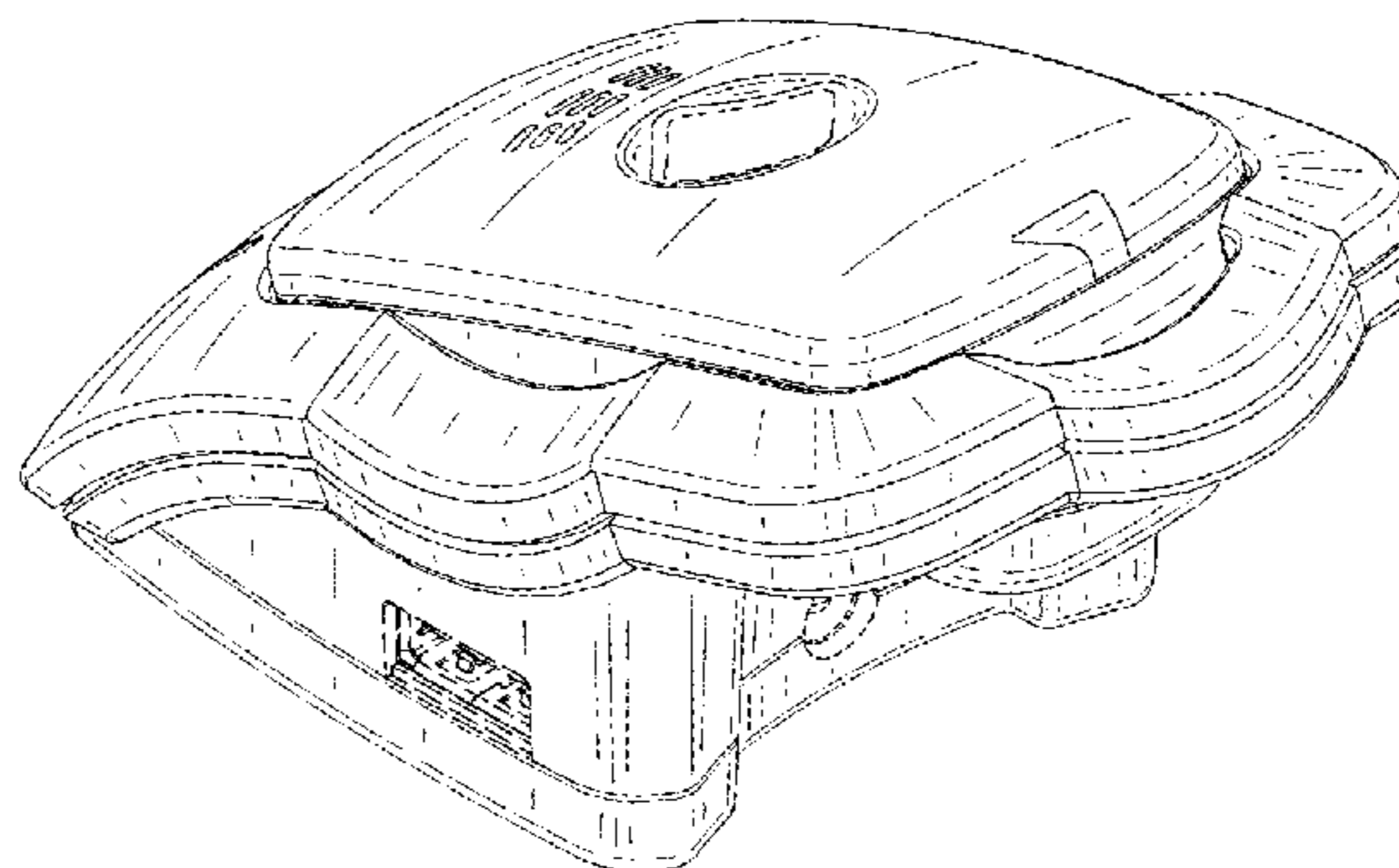
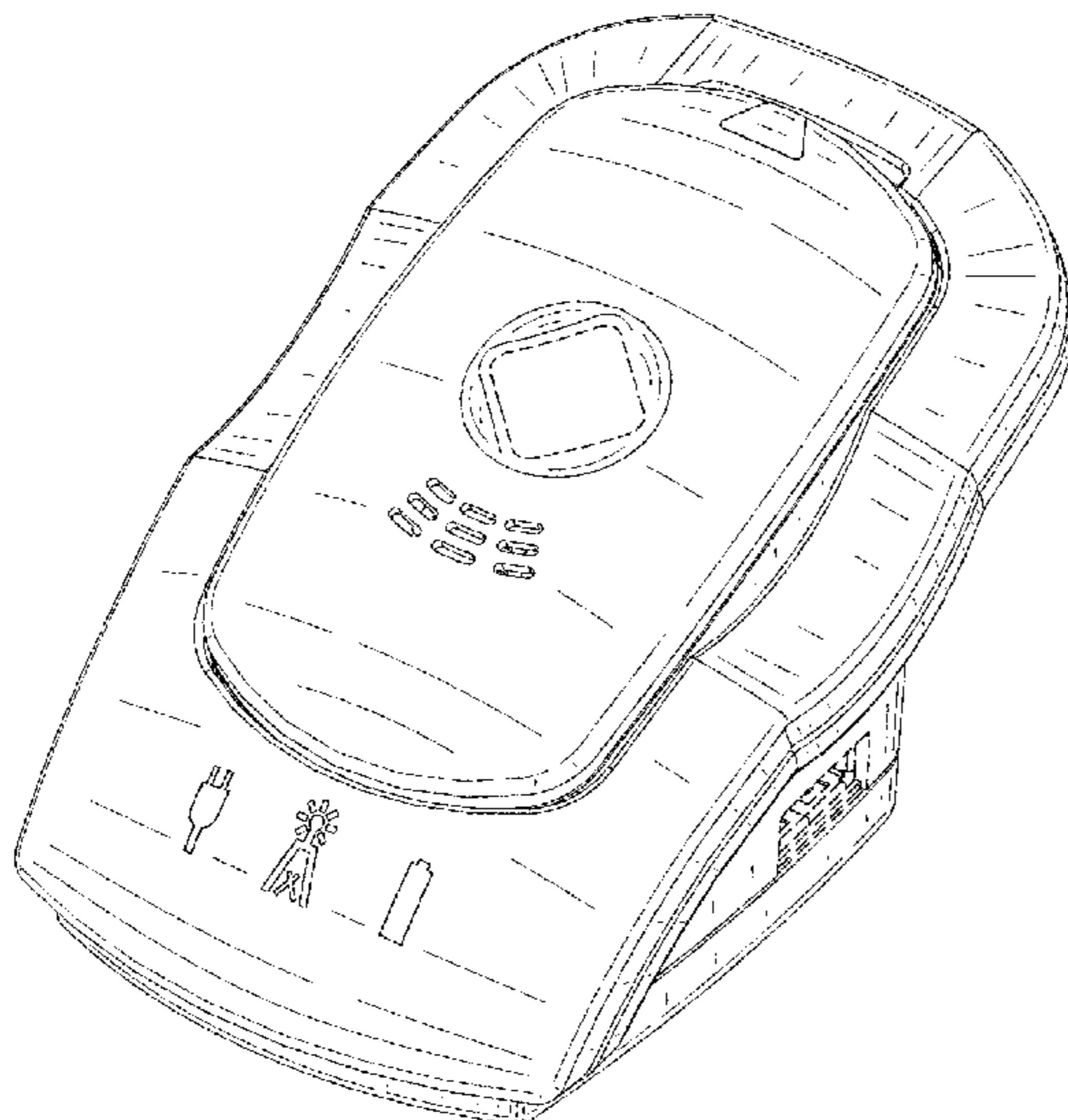


FIG. 1

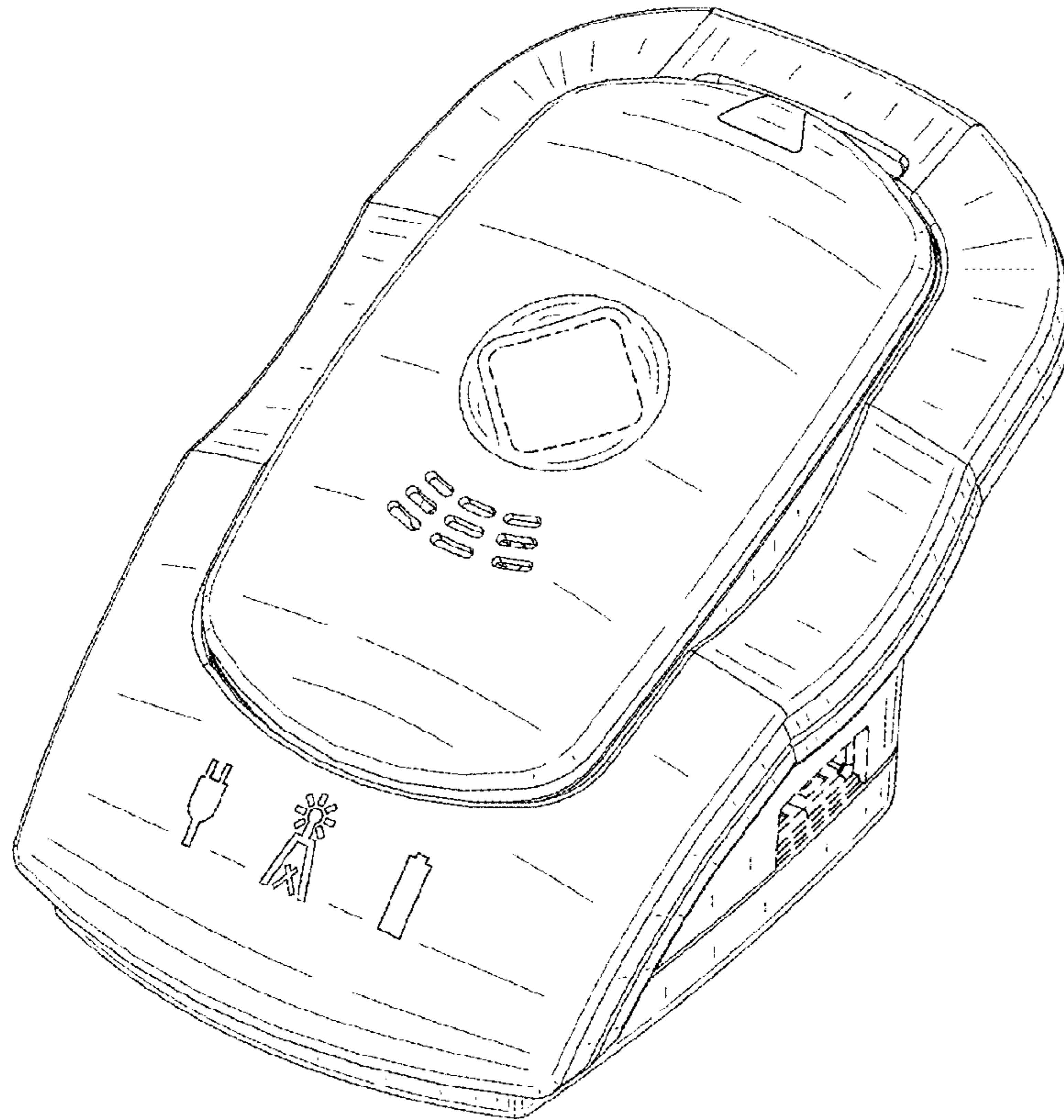


FIG. 2

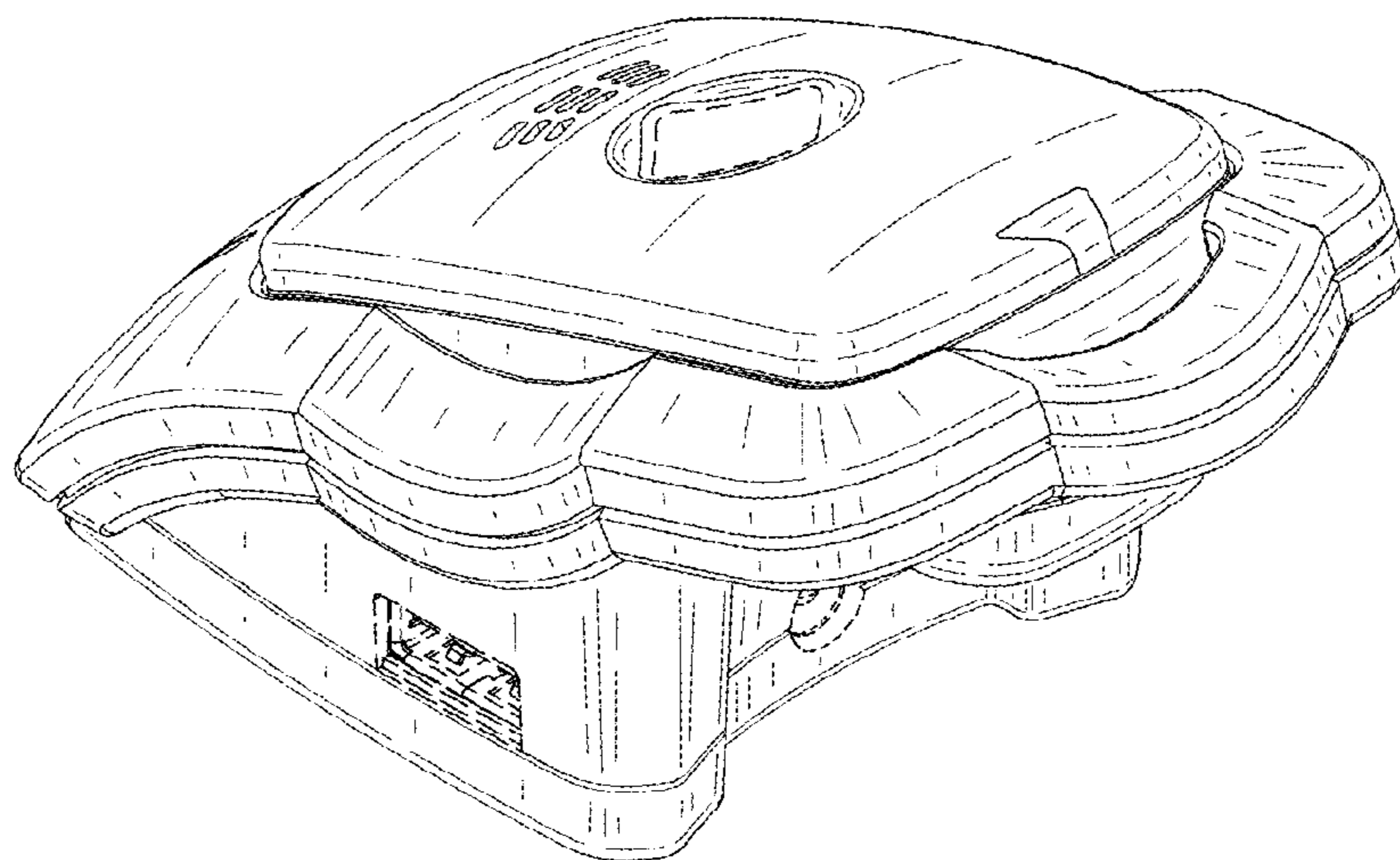


FIG. 3

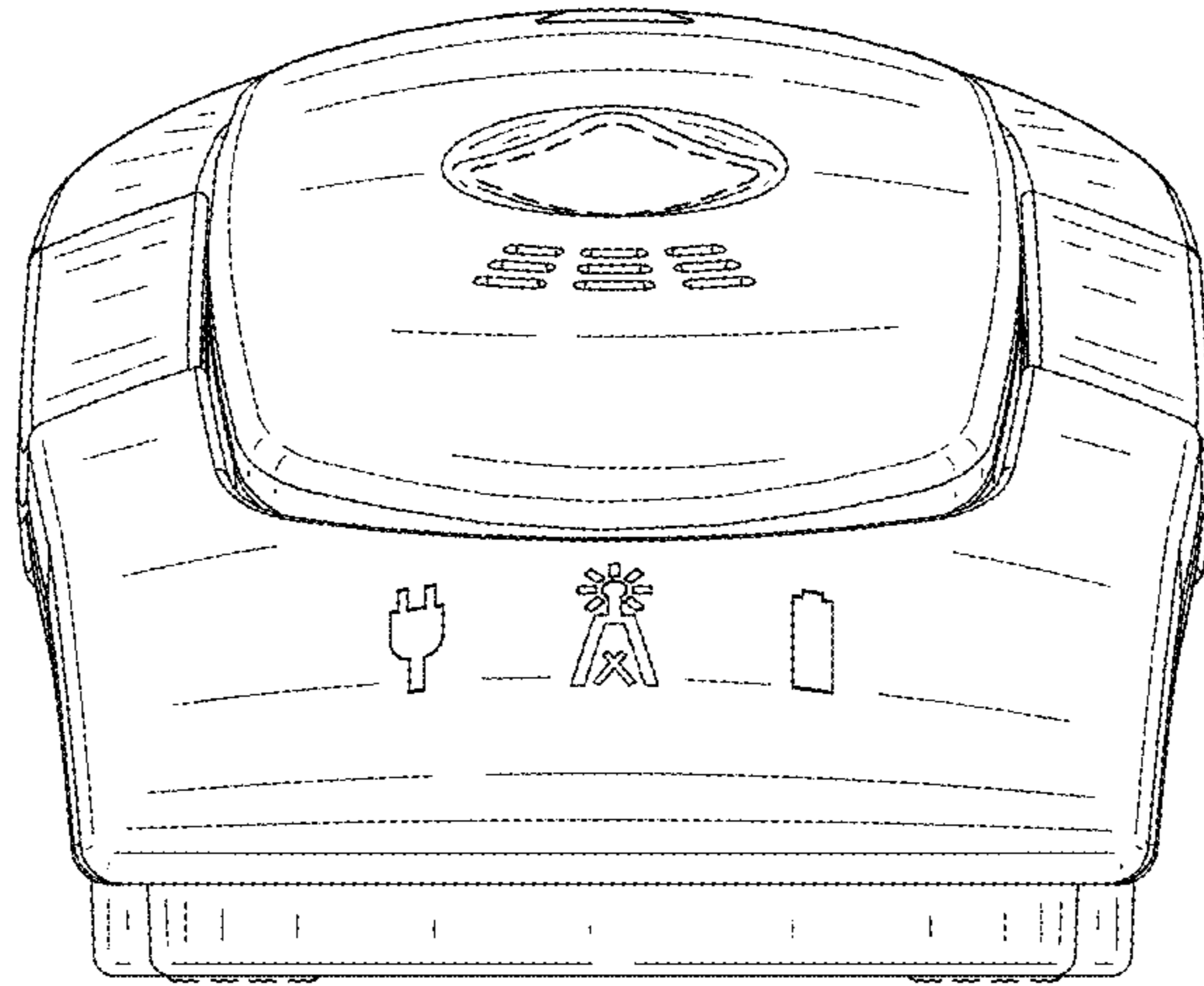


FIG. 4

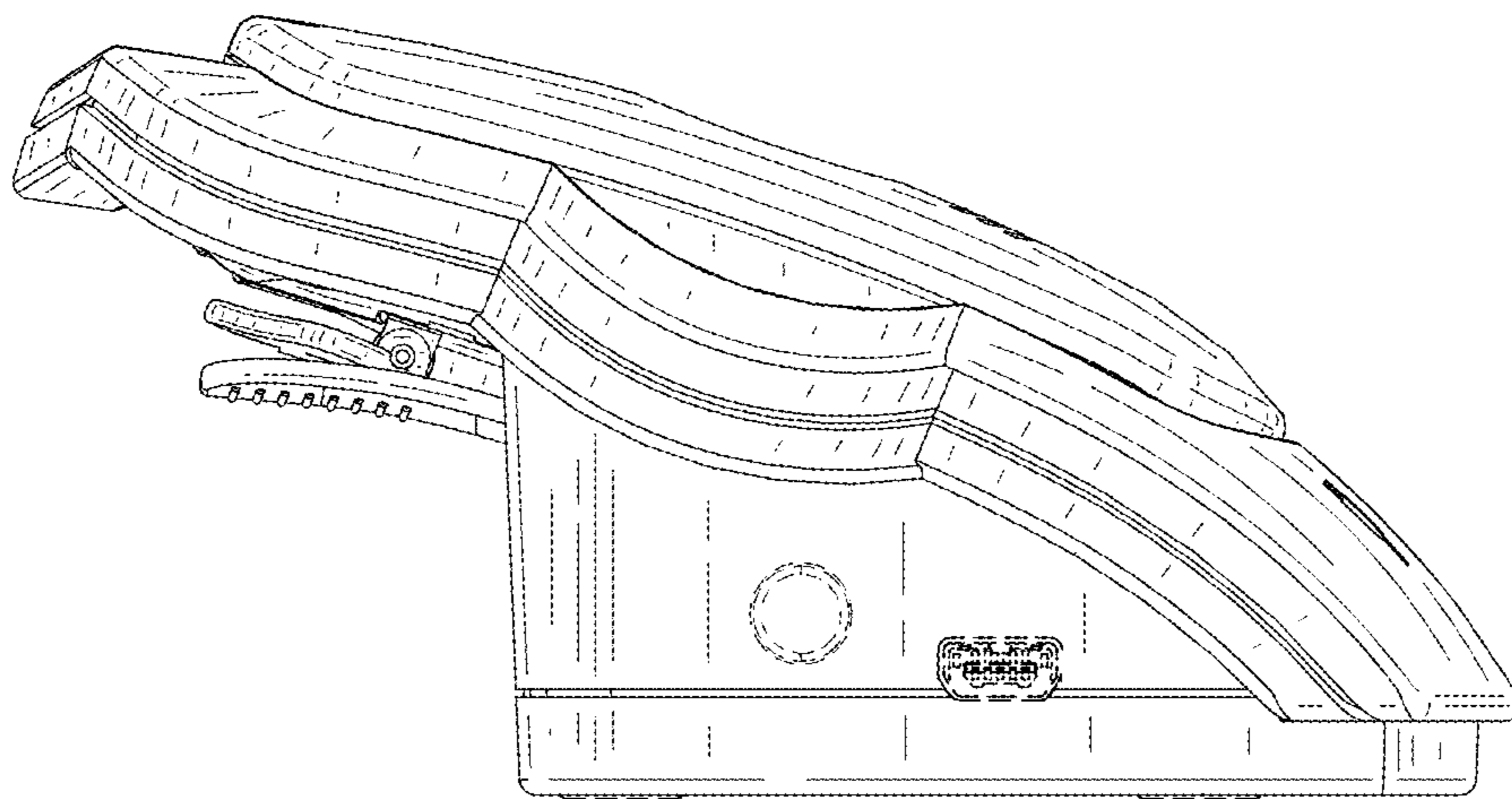


FIG. 5

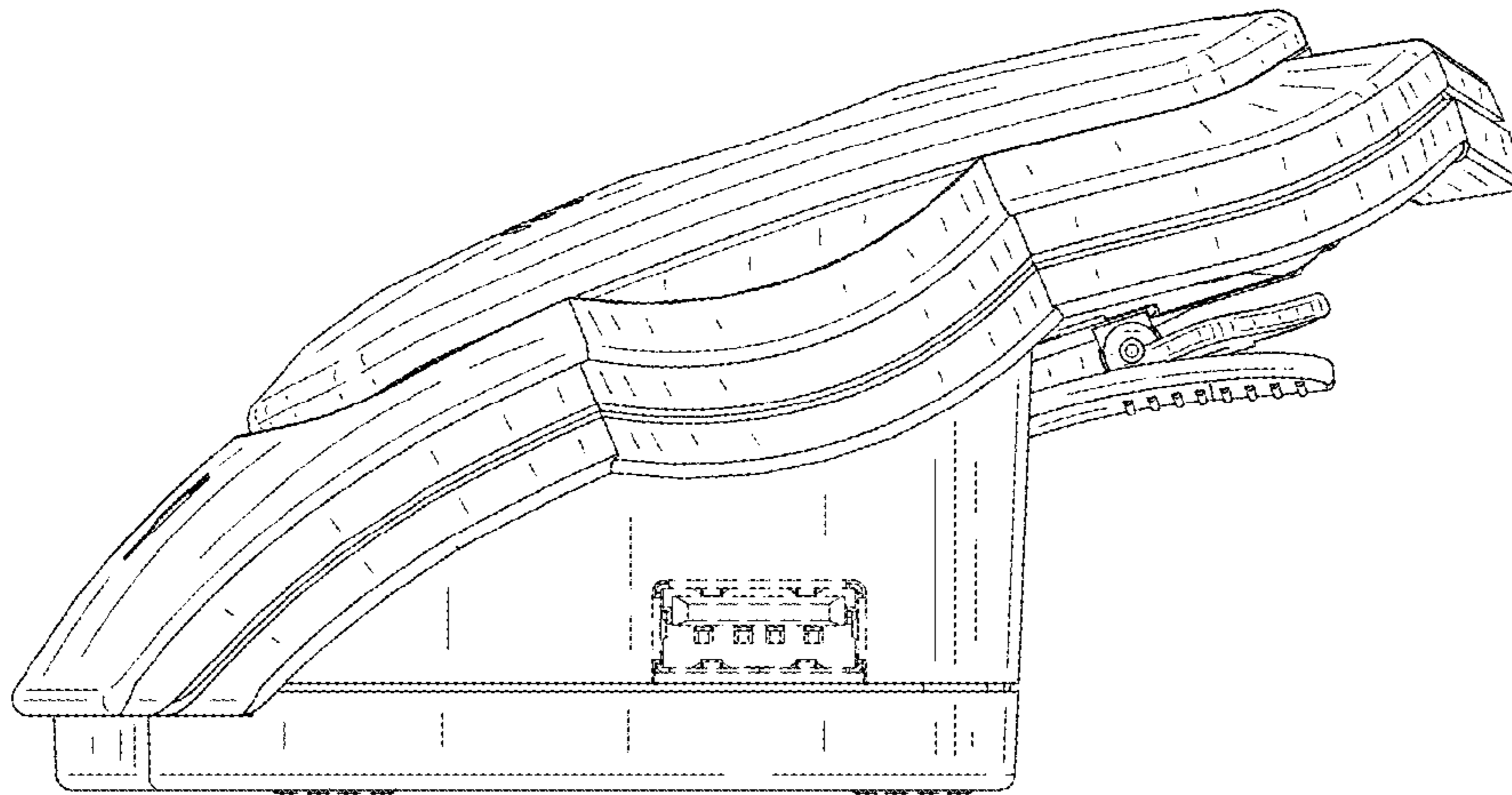


FIG. 6

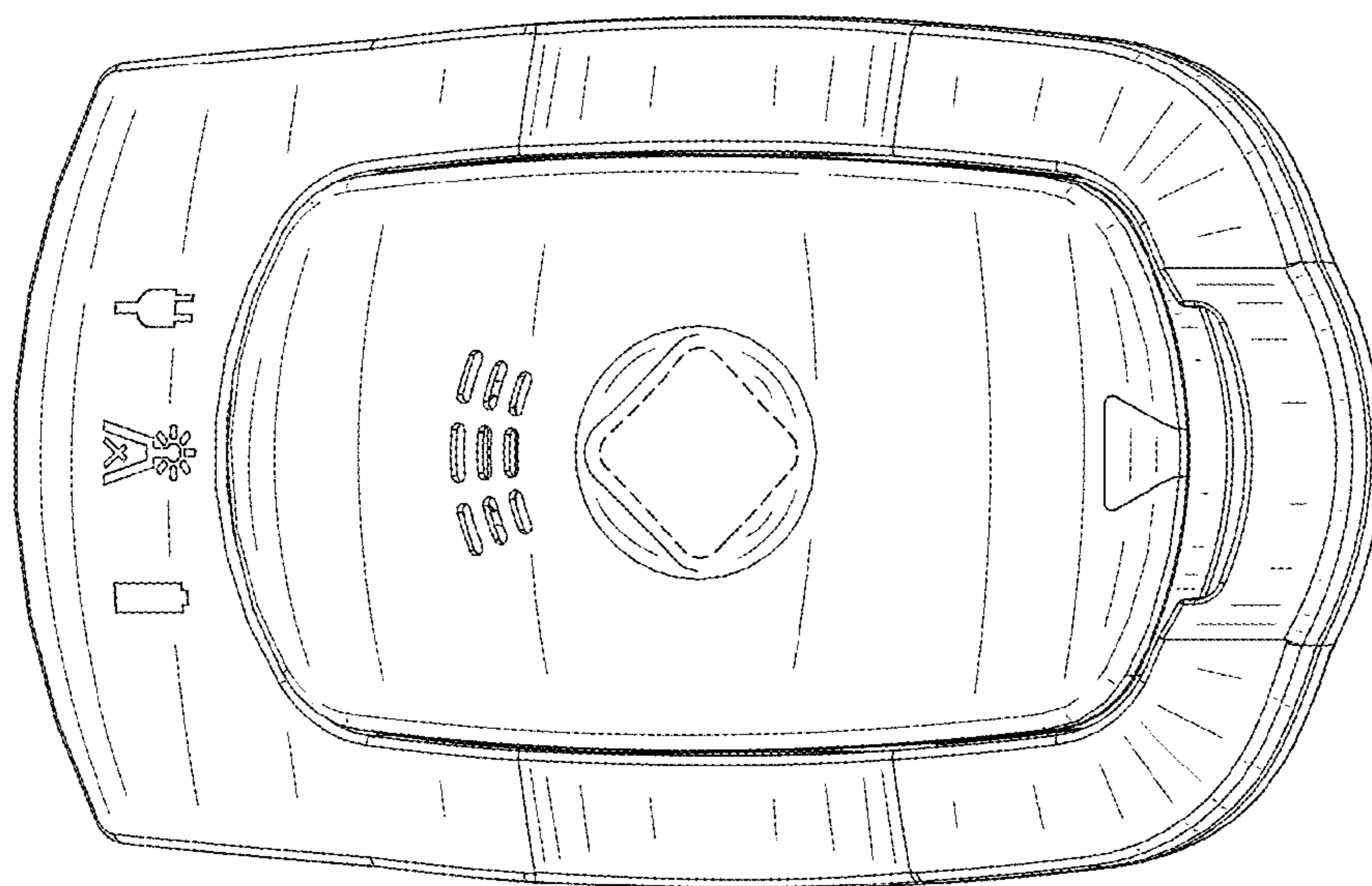


FIG. 7

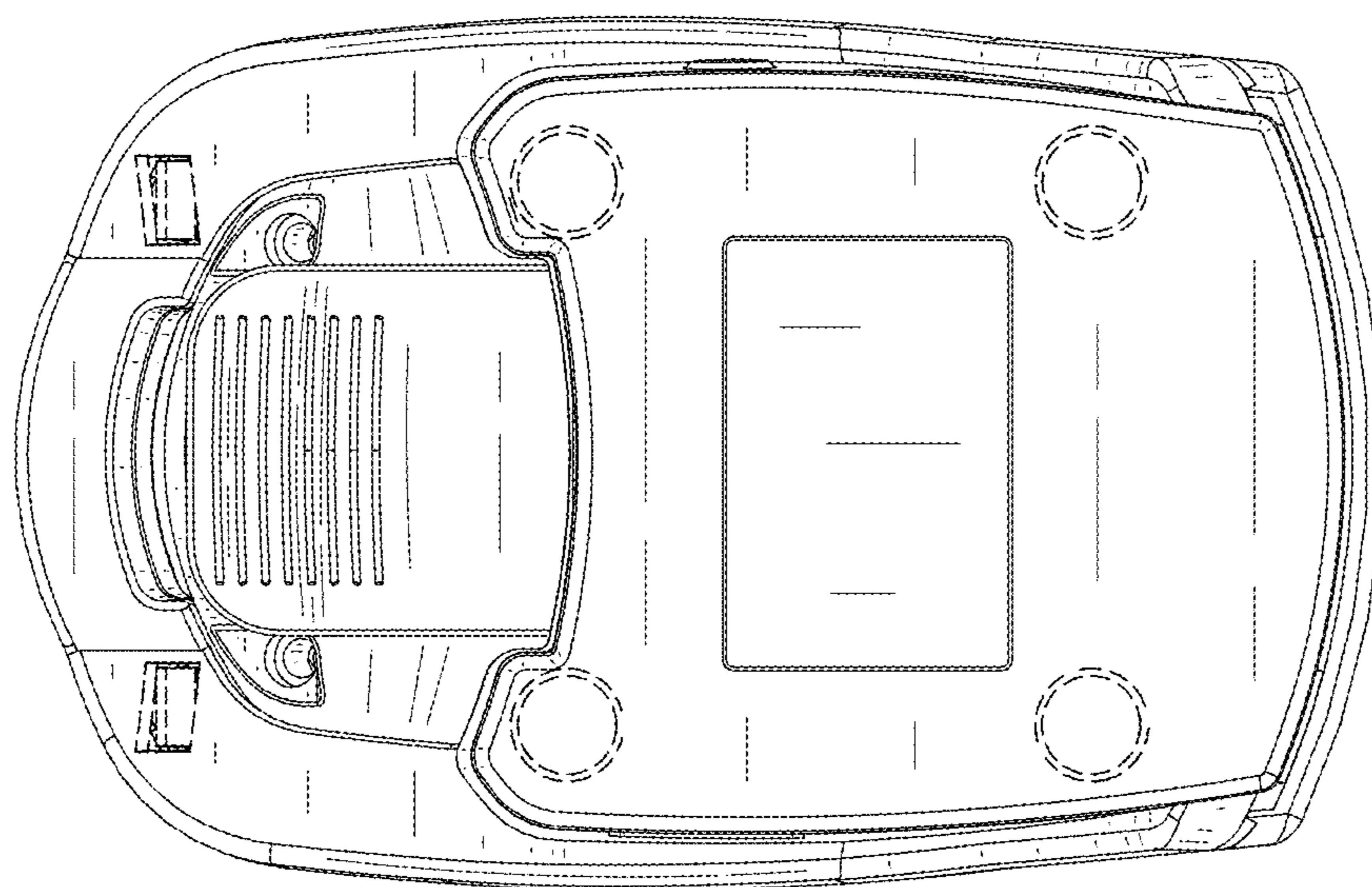


FIG. 8

