



US00D710228S

(12) **United States Design Patent**  
**Burke**

(10) **Patent No.:** **US D710,228 S**

(45) **Date of Patent:** **\*\* Aug. 5, 2014**

(54) **PERSONAL EMERGENCY RESPONSE  
DEVICE**

(71) Applicant: **Numera**, Seattle, WA (US)

(72) Inventor: **Jonathan Christopher Burke**, Berkeley,  
CA (US)

(73) Assignee: **Numera, Inc.**, Seattle, WA (US)

(\*\*) Term: **14 Years**

(21) Appl. No.: **29/451,202**

(22) Filed: **Mar. 28, 2013**

(51) **LOC (10) Cl.** ..... **10-05**

(52) **U.S. Cl.**  
USPC ..... **D10/104.1**

(58) **Field of Classification Search**  
USPC ..... D10/104.1, 104.2, 31, 32, 70; D14/155;  
340/573.4

See application file for complete search history.

(56) **References Cited**

**U.S. PATENT DOCUMENTS**

D381,922 S	8/1997	Casperson
D391,878 S	3/1998	Alleyne
D433,395 S	11/2000	Wong
D483,281 S	12/2003	Cobigo

D485,772 S	1/2004	Cisneros	
D487,470 S	3/2004	Cobigo	
D545,791 S	7/2007	Jameson et al.	
D564,387 S *	3/2008	Rubin et al.	D10/104.1
D579,810 S *	11/2008	Campman	D10/104.1
D615,438 S *	5/2010	Goetzl et al.	D10/104.1
D673,473 S *	1/2013	Hogg	D10/104.1
D696,223 S *	12/2013	Will et al.	D14/155
2004/0263338 A1 *	12/2004	Katz	340/573.4

\* cited by examiner

*Primary Examiner* — George D Kirschbaum

(74) *Attorney, Agent, or Firm* — Dennis A. Bennett; Gale Starkey

(57) **CLAIM**

The ornamental design for a personal emergency response device, as shown and described.

**DESCRIPTION**

FIG. 1 is a front perspective view of a personal emergency response device with clip showing my/our new design; FIG. 2 is a back perspective view thereof; FIG. 3 is a front elevation view thereof; FIG. 4 is a left side elevation view thereof; FIG. 5 is a right side elevation view thereof; FIG. 6 is a back elevation view thereof; FIG. 7 is a top plan view thereof; and, FIG. 8 is a bottom plan view thereof. The broken lines depict unclaimed environmental subject matter.

**1 Claim, 4 Drawing Sheets**

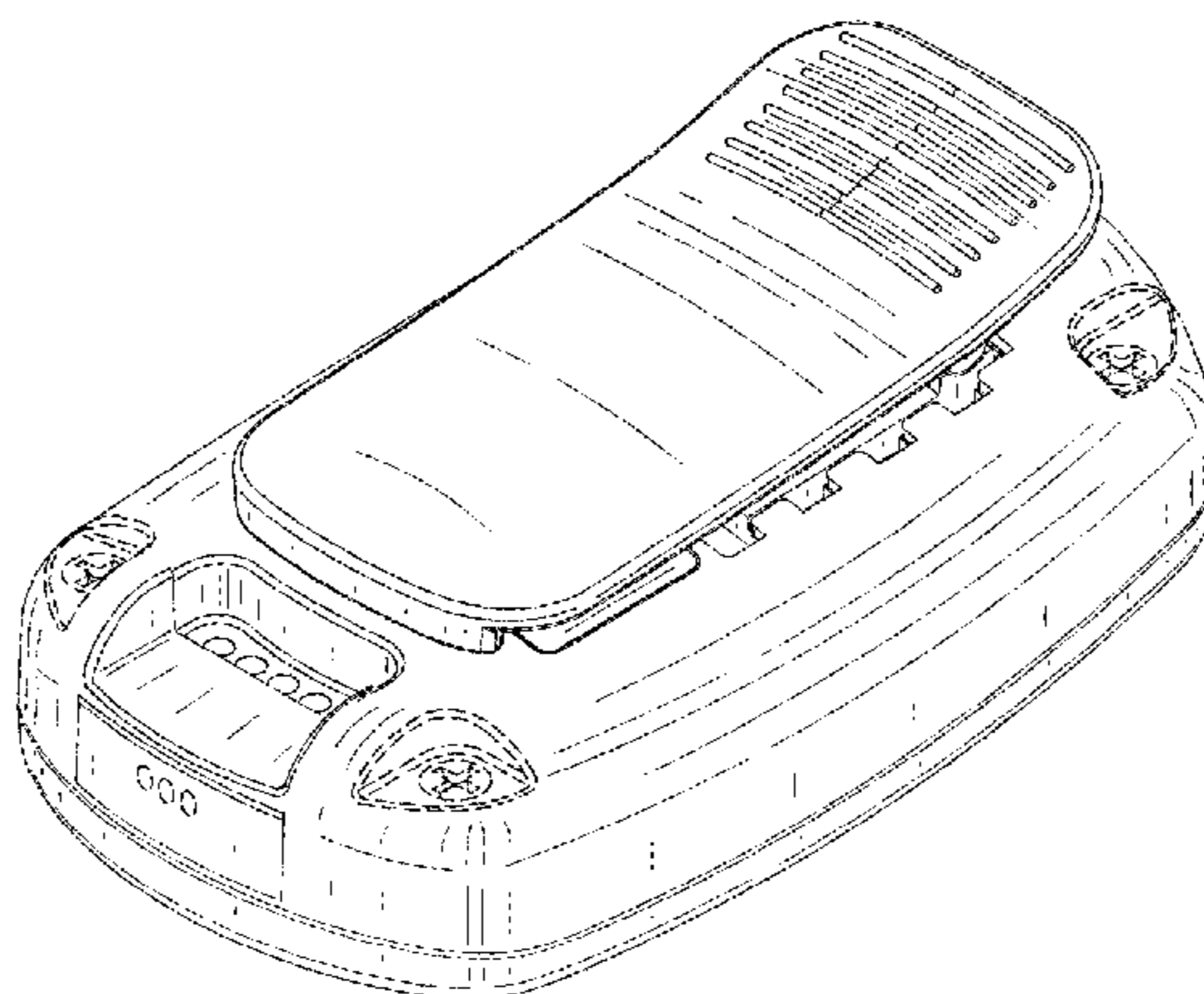
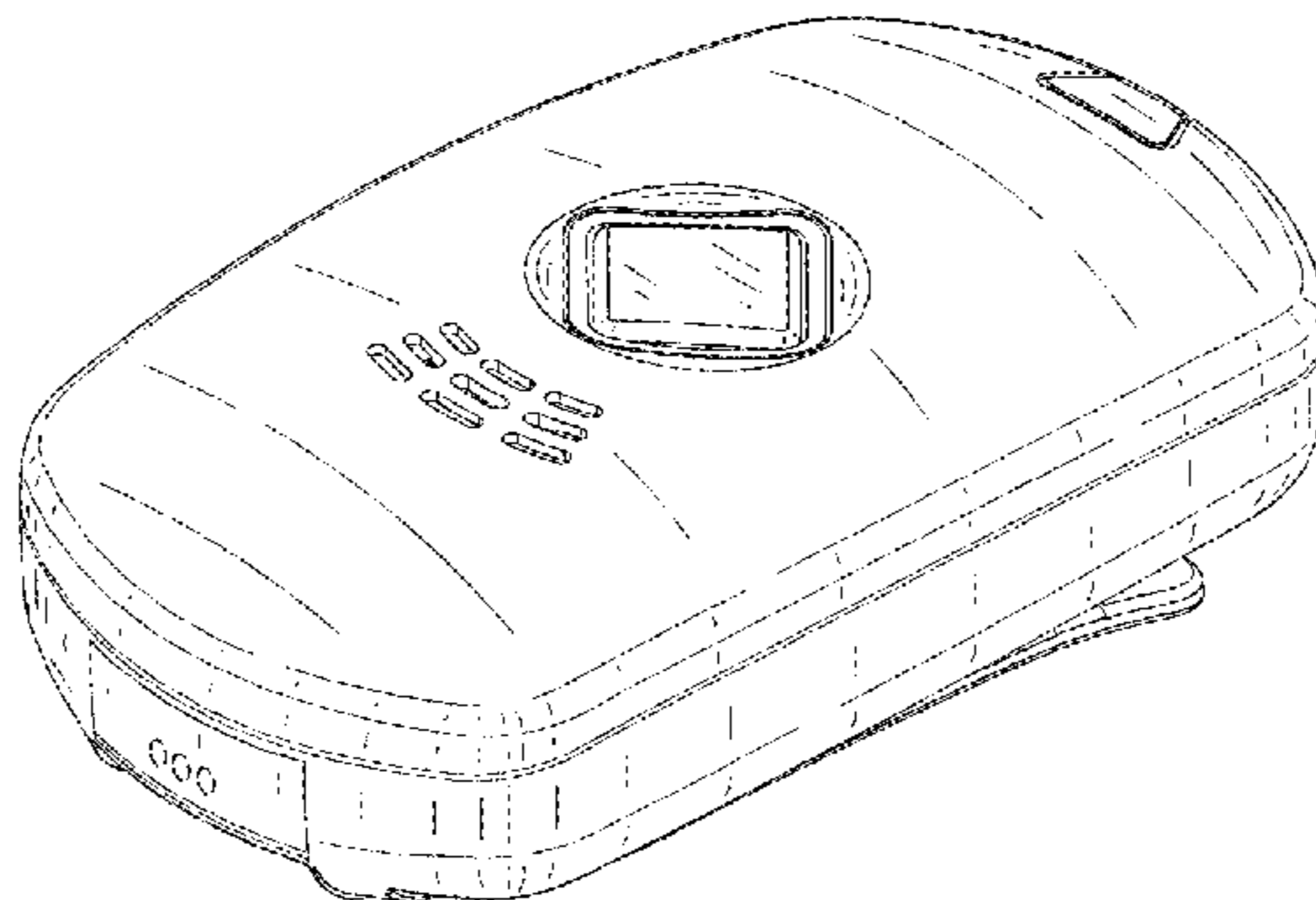


FIG. 1

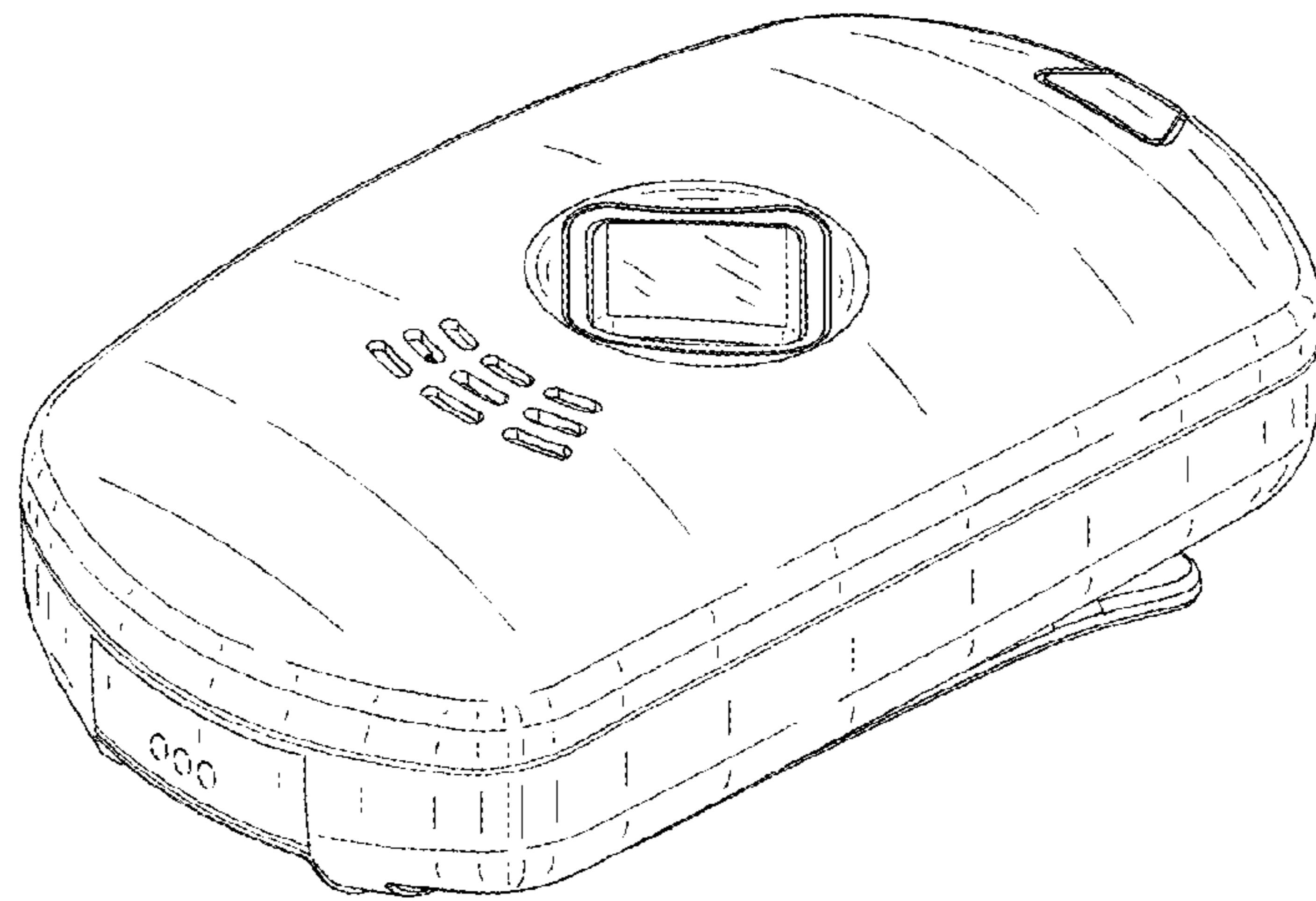


FIG. 2

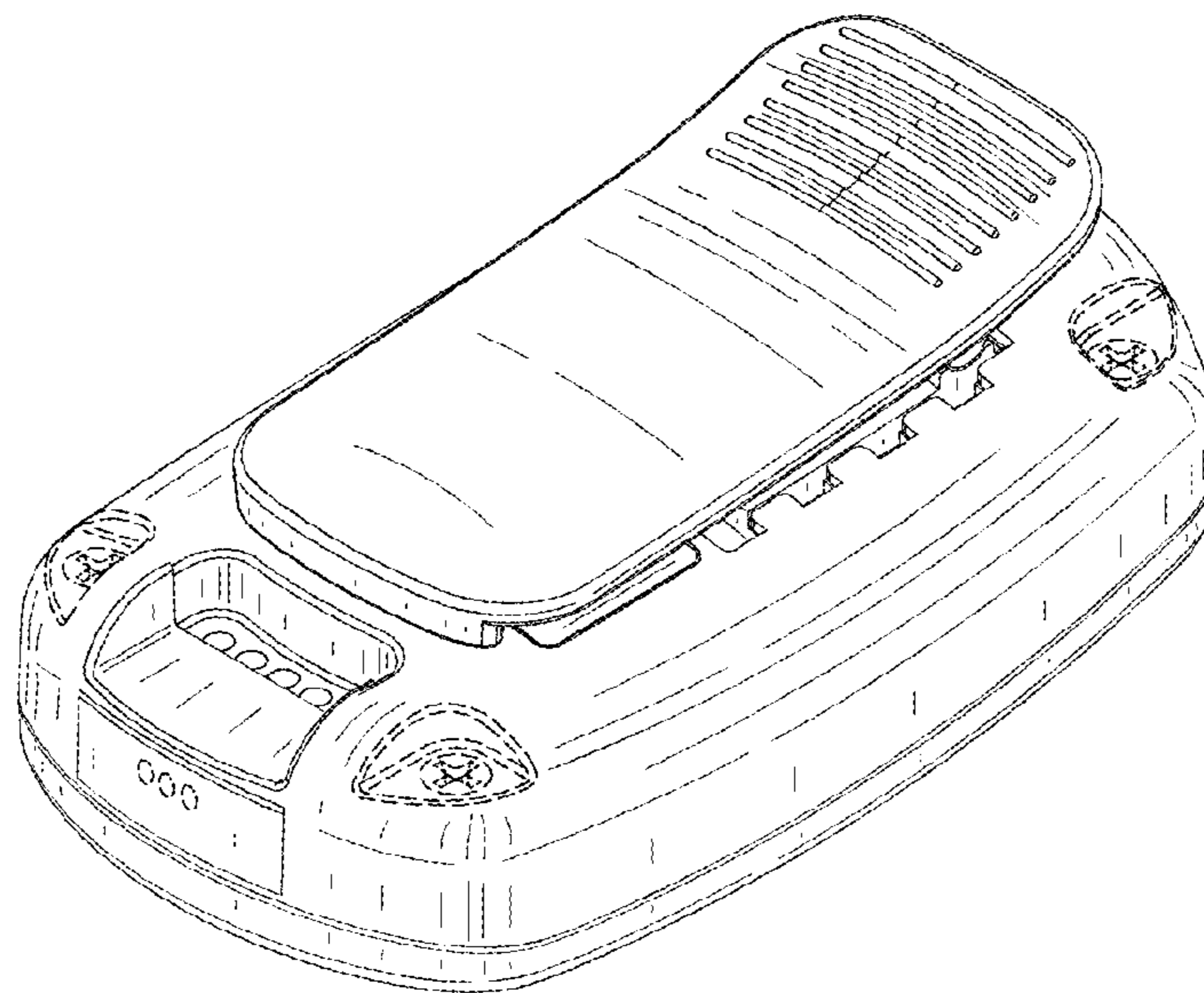


FIG. 3

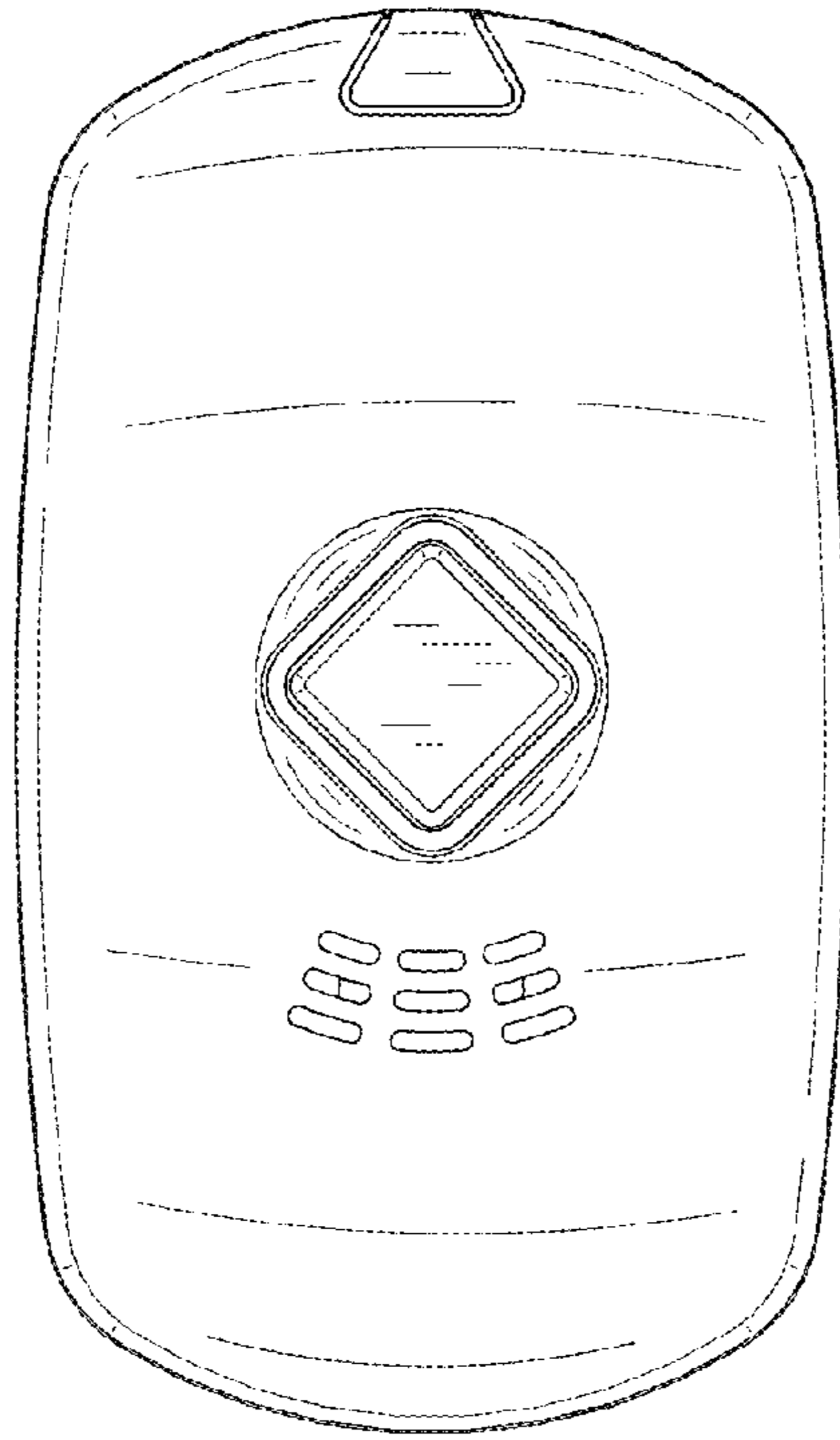


FIG. 4

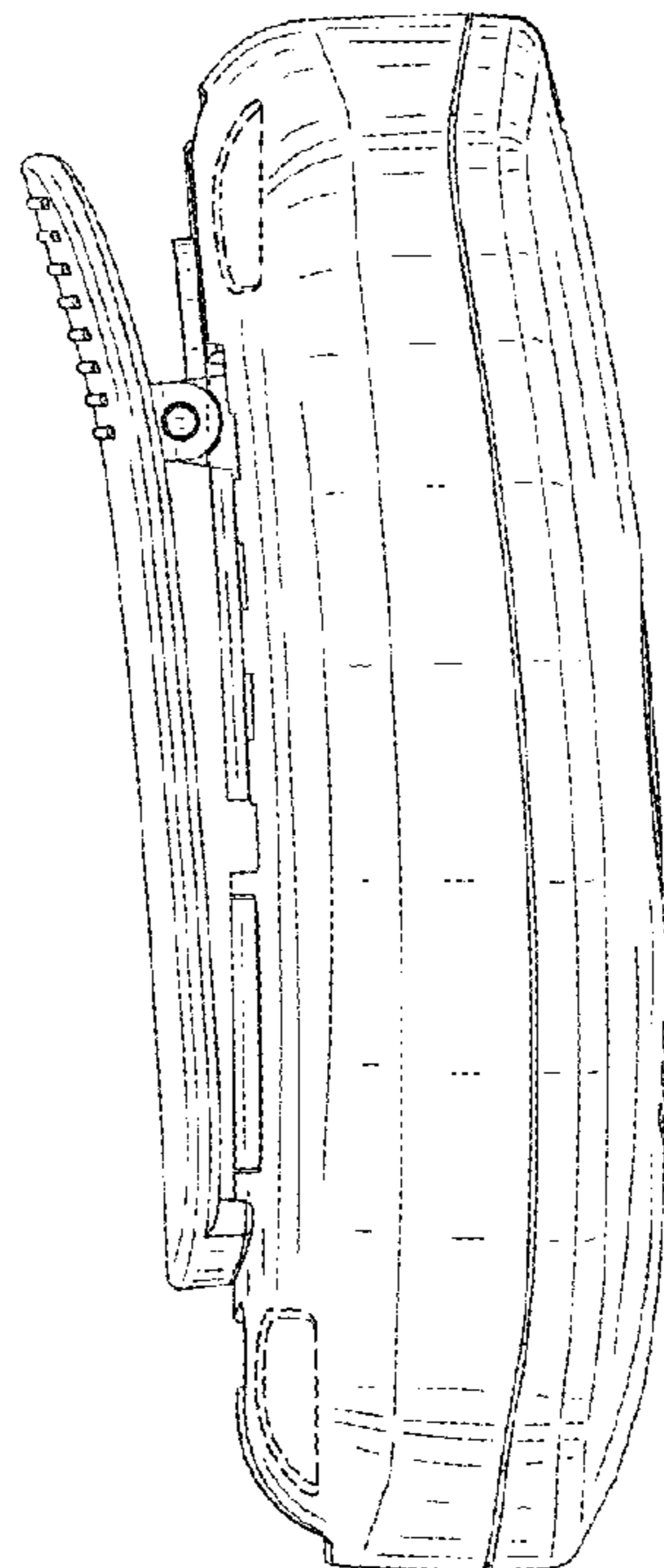


FIG. 5

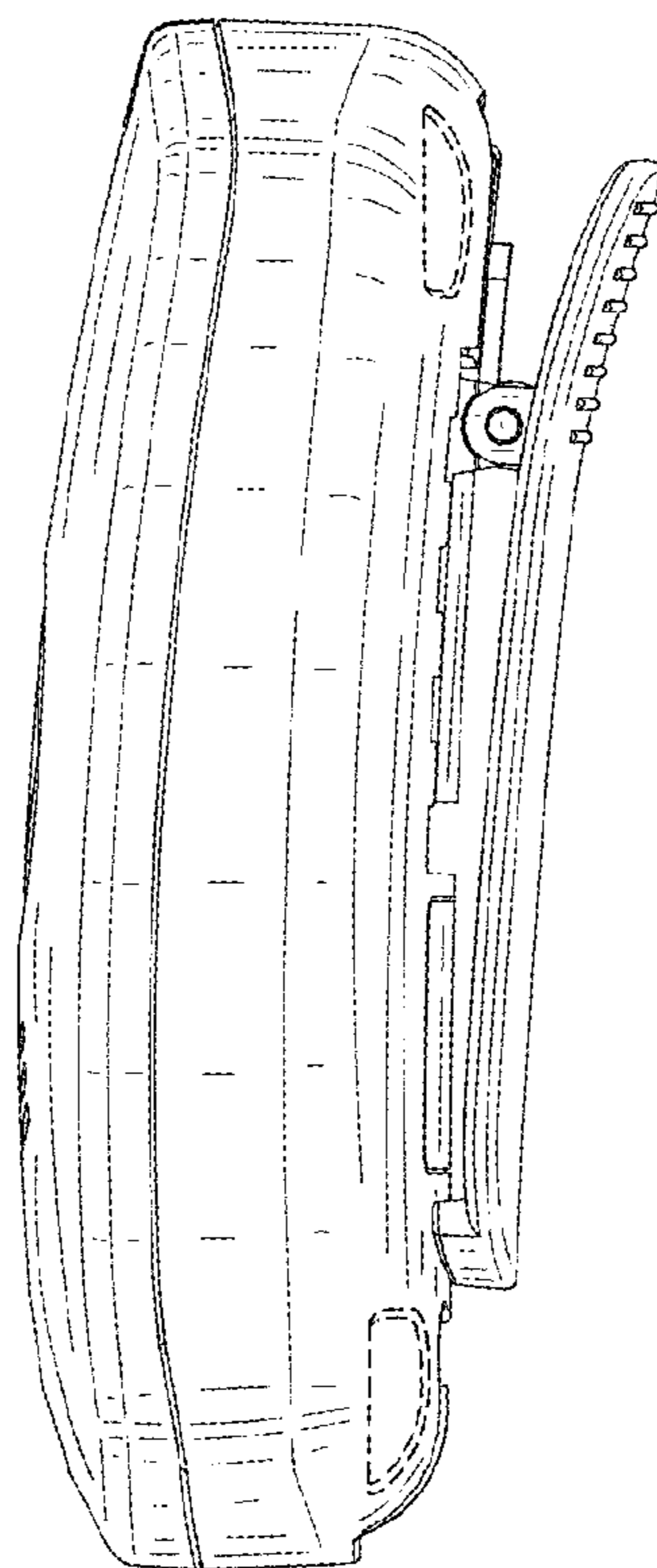


FIG. 6

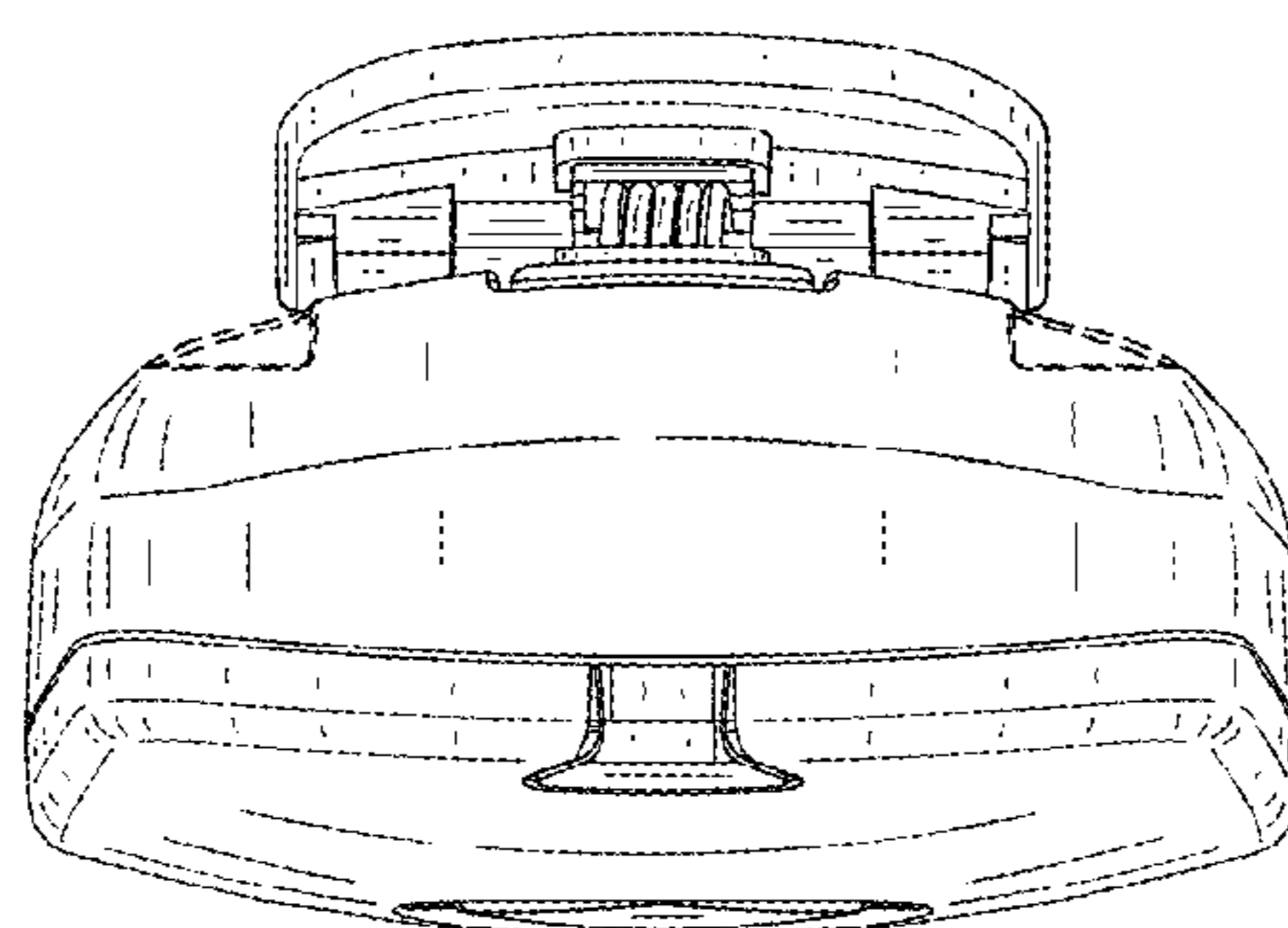


FIG. 7

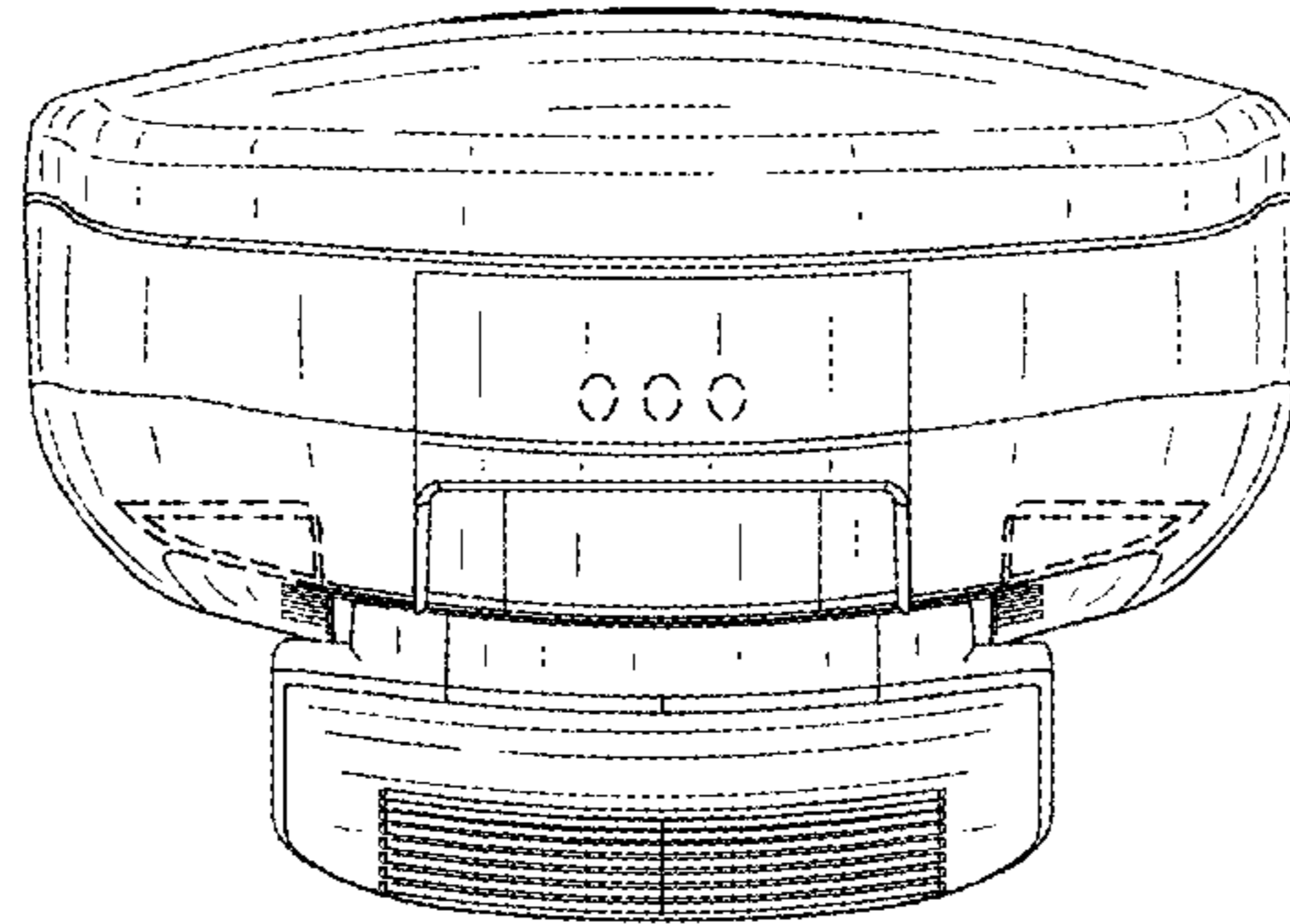


FIG. 8

