



US00D710223S

(12) **United States Design Patent**  
**Nothacker et al.**

(10) **Patent No.:** **US D710,223 S**  
(45) **Date of Patent:** **\*\* Aug. 5, 2014**

(54) **BREATHALYZER**

(71) Applicant: **KHN Solutions**, San Francisco, CA  
(US)  
(72) Inventors: **Keith Nothacker**, San Francisco, CA  
(US); **Michael Strasser**, San Francisco,  
CA (US); **Imran Aziz**, San Francisco,  
CA (US)  
(73) Assignee: **KHN Solutions, Inc.**, San Francisco, CA  
(US)

D362,642 S 9/1995 Howse  
D381,885 S 8/1997 Lane  
6,454,723 B1 9/2002 Montagnino  
6,824,520 B2 11/2004 Orr et al.  
6,899,683 B2 5/2005 Mault et al.  
D521,885 S 5/2006 Eddy et al.  
D530,424 S 10/2006 Manser et al.  
D539,683 S 4/2007 Shaw et al.  
D539,684 S 4/2007 Kitamura et al.  
2006/0217625 A1\* 9/2006 Forrester, Jr. .... 600/532  
2007/0093725 A1 4/2007 Shaw  
2007/0144812 A1 6/2007 Stewart et al.

\* cited by examiner

(\*\*) Term: **14 Years**

*Primary Examiner* — Antoine D Davis

(21) Appl. No.: **29/452,464**

(74) *Attorney, Agent, or Firm* — Jeffrey Schox

(22) Filed: **Apr. 16, 2013**

(51) **LOC (10) Cl.** ..... **10-04**

(52) **U.S. Cl.**

USPC ..... **D10/81; D10/78**

(58) **Field of Classification Search**

USPC ..... D10/78, 81, 94; 128/719, 745,  
128/859–862, 205.24, 205.25, 206.21,  
128/206.27; 180/272; 340/576; 73/1.02,  
73/1.03, 1.06, 23.3, 23.34, 23.35, 61.55,  
73/61.59; 422/50, 58, 62–98, 430;  
436/132, 900; 600/532, 543, 530;  
206/229; D24/110, 110.5; D29/108

See application file for complete search history.

(56) **References Cited**

**U.S. PATENT DOCUMENTS**

4,487,055 A 12/1984 Wolf  
4,996,161 A 2/1991 Conners et al.  
D333,441 S 2/1993 Greene

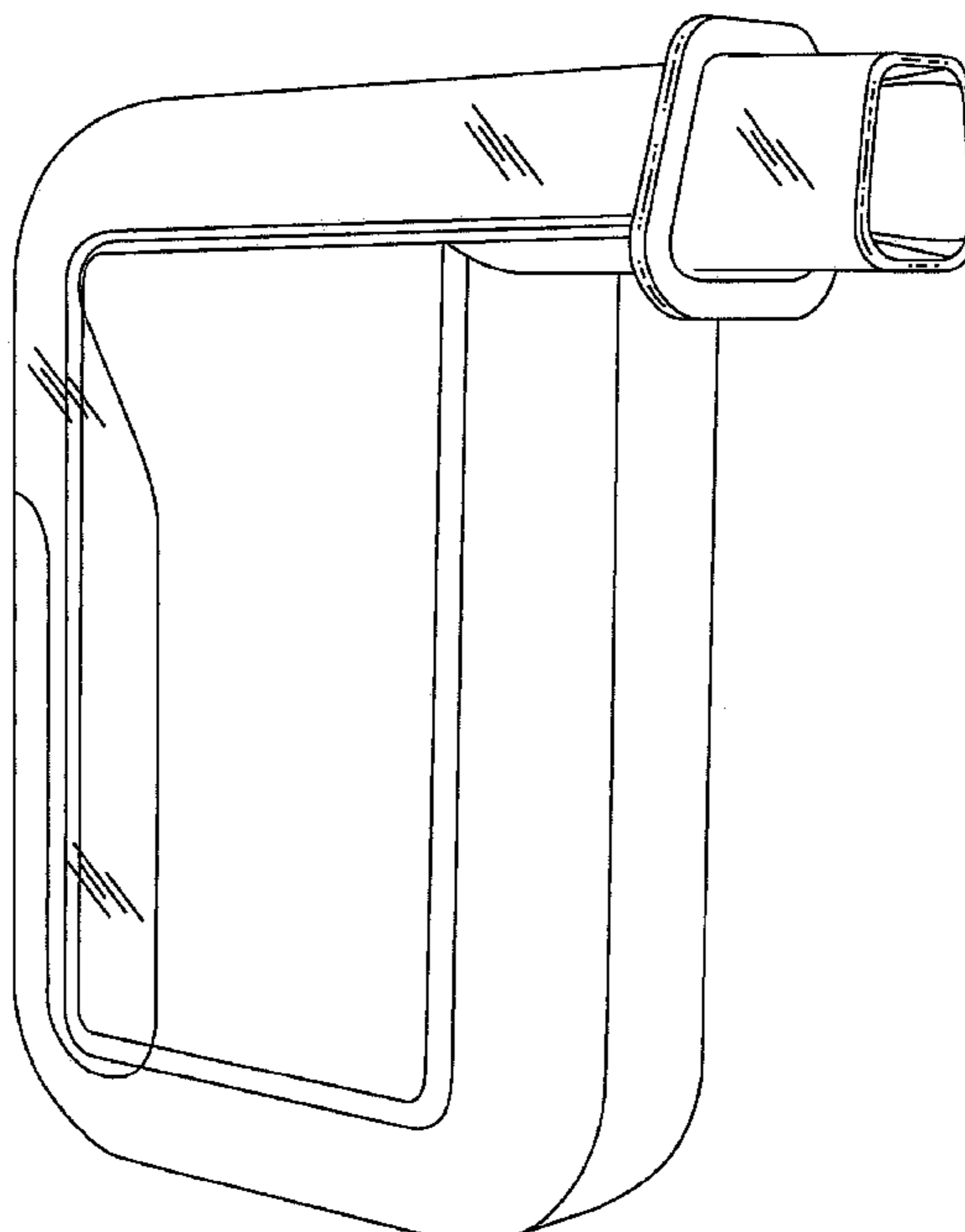
(57) **CLAIM**

The ornamental design for a breathalyzer, as shown and described.

**DESCRIPTION**

FIG. 1 is a first perspective view of a breathalyzer;  
FIG. 2 is a front plan view of the breathalyzer, illustrated in FIG. 1;  
FIG. 3 is a rear plan view of the breathalyzer, illustrated in FIG. 1;  
FIG. 4 is a top view of the breathalyzer, illustrated in FIG. 1;  
FIG. 5 is a bottom view of the breathalyzer, illustrated in FIG. 1;  
FIG. 6 is a right side view of the breathalyzer, illustrated in FIG. 1; and,  
FIG. 7 is a left side view of the breathalyzer, illustrated in FIG. 1.

**1 Claim, 5 Drawing Sheets**



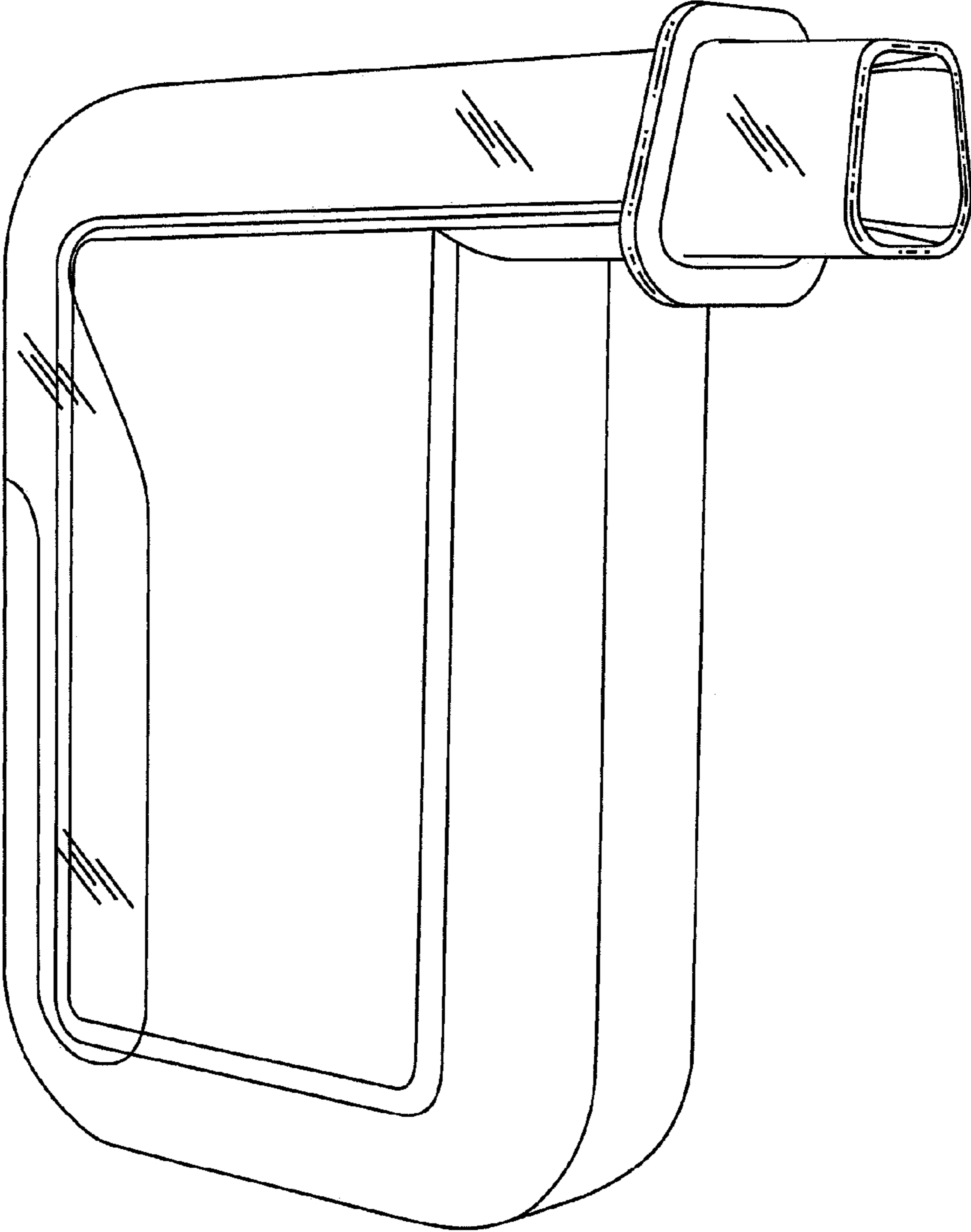


FIG. 1

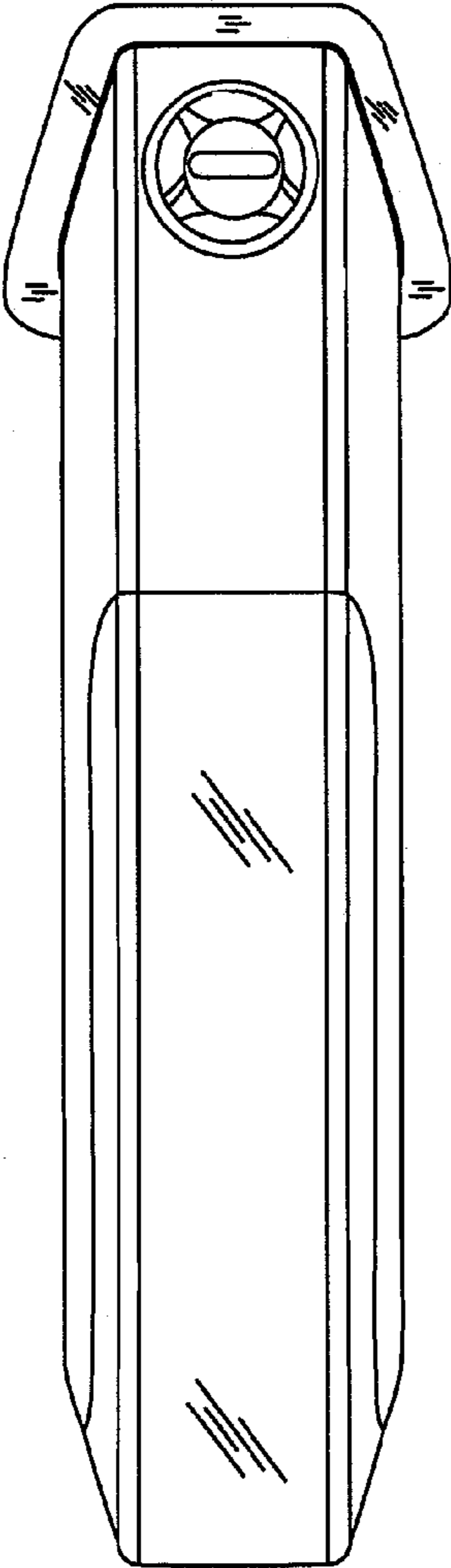


FIG. 2

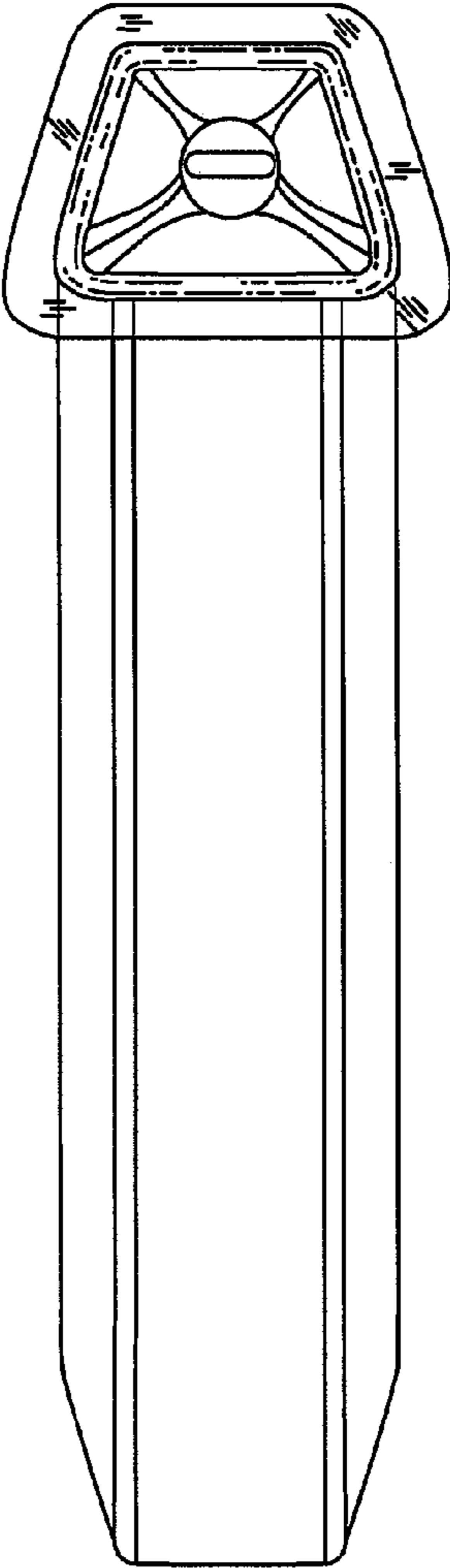


FIG. 3

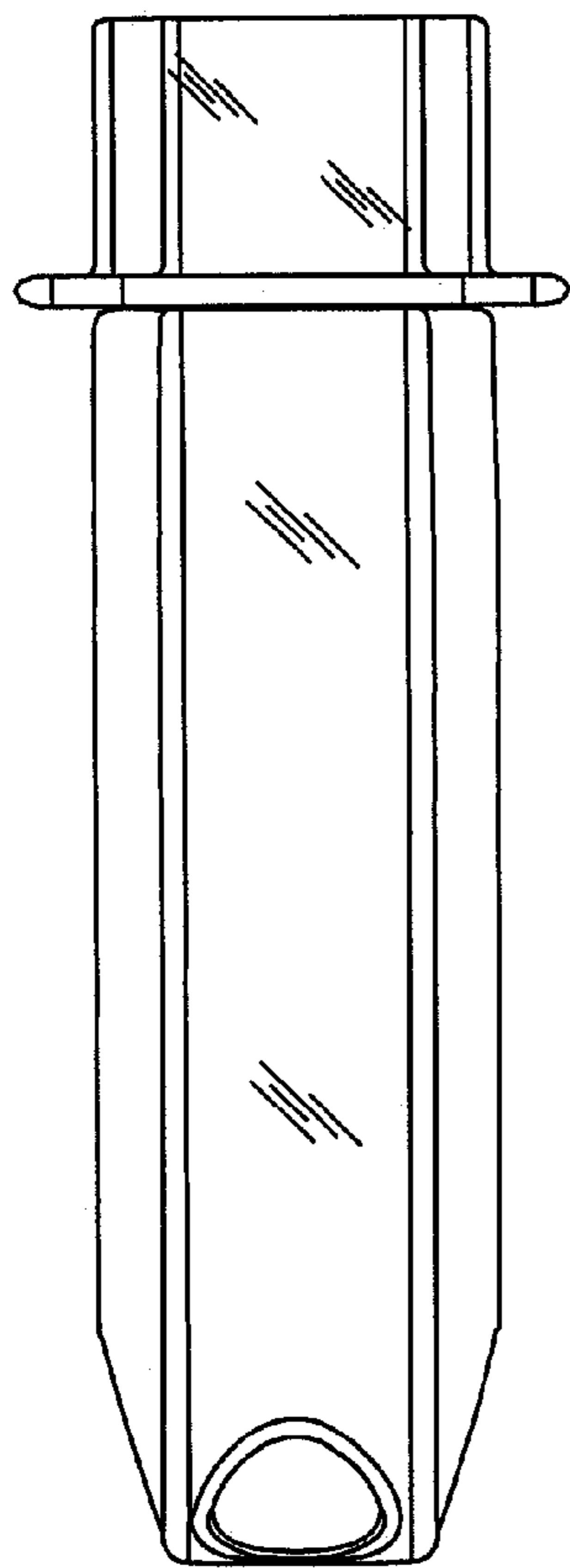


FIG. 4

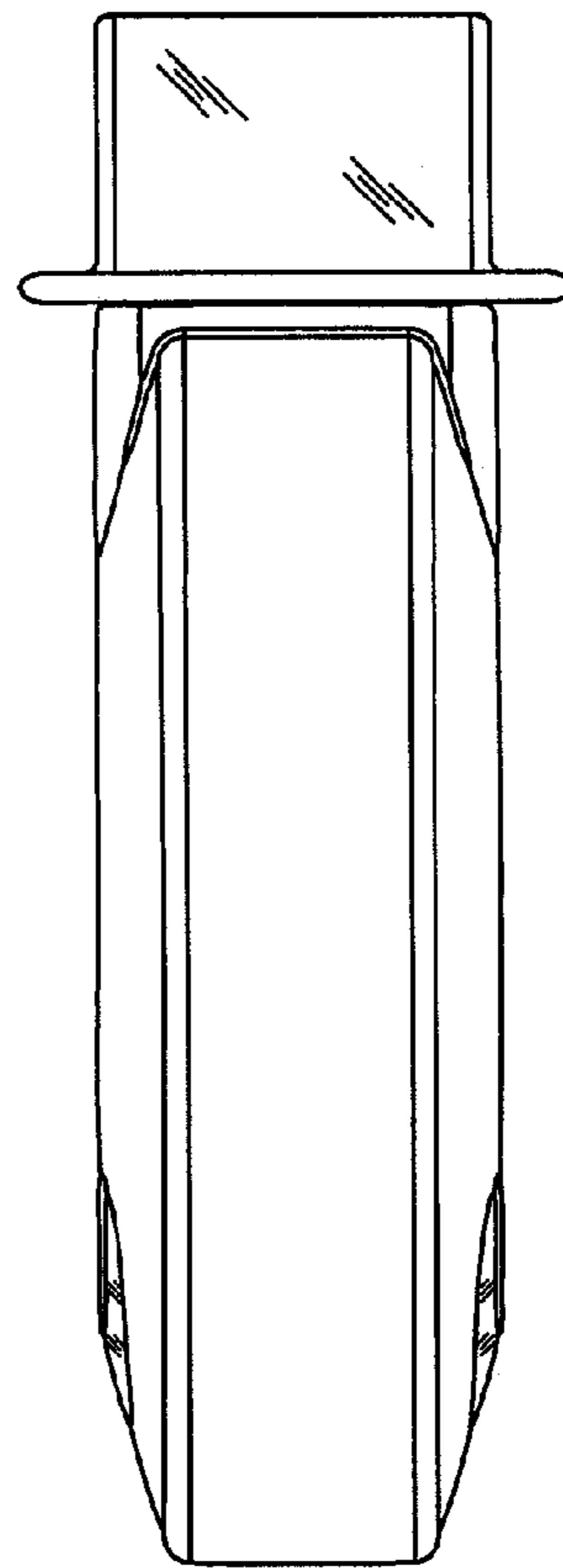


FIG. 5

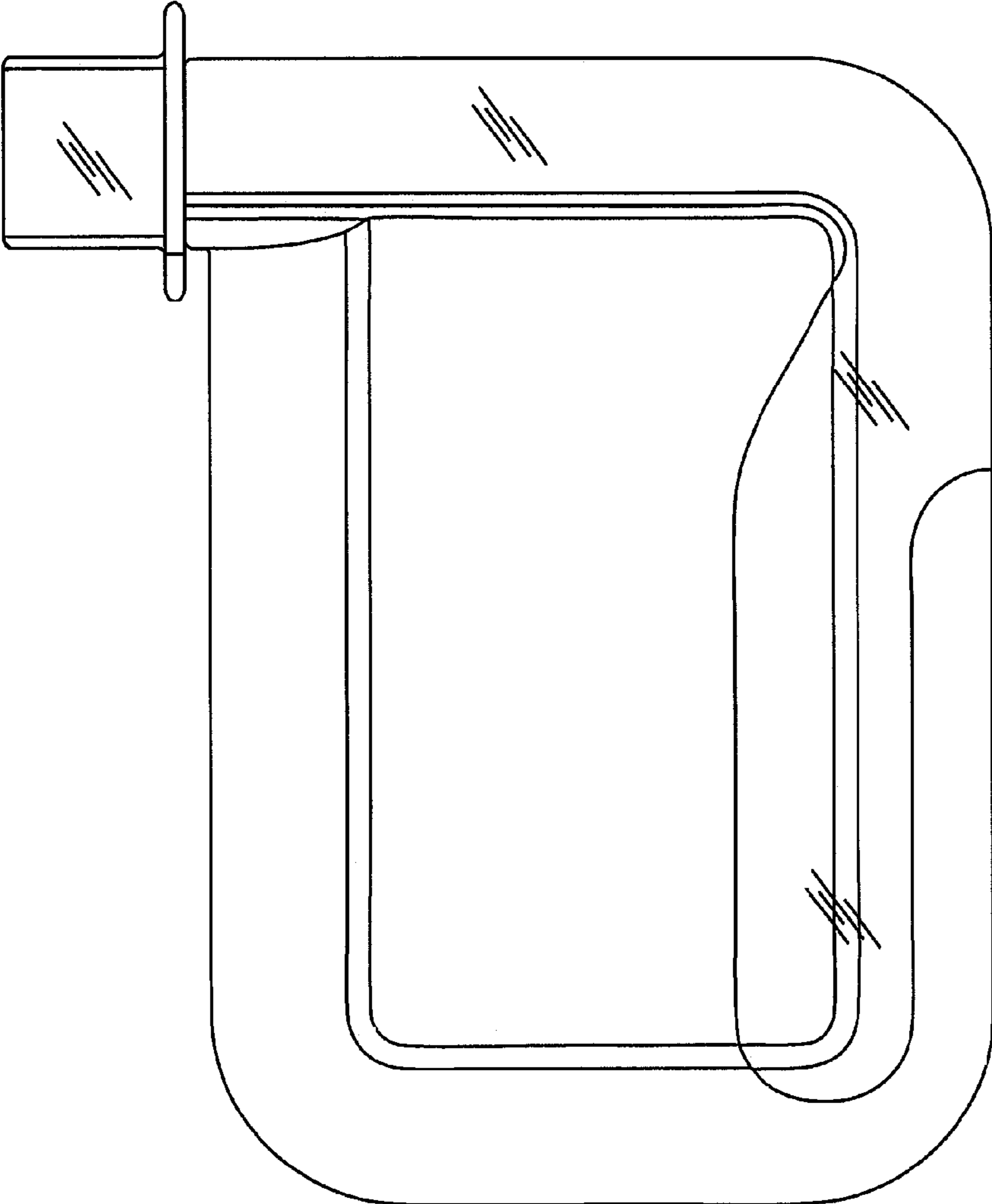


FIG. 6

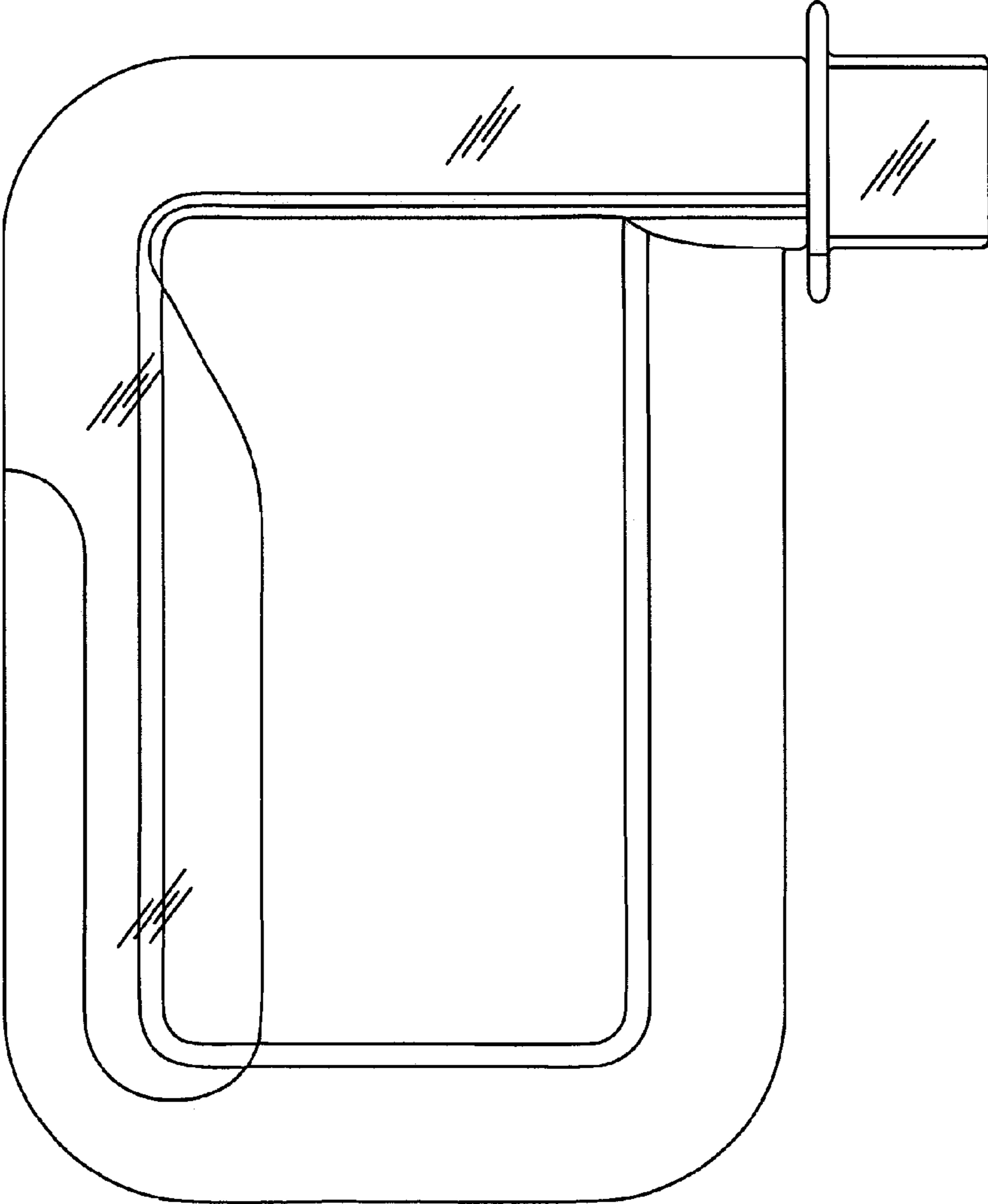


FIG. 7