



US00D710222S

(12) **United States Design Patent**  
**Nadeau**

(10) **Patent No.:** **US D710,222 S**

(45) **Date of Patent:** **\*\* Aug. 5, 2014**

(54) **PORTABLE TEST INSTRUMENT**

(71) Applicant: **Exfo Inc.**, Quebec (CA)  
(72) Inventor: **Sébastien Nadeau**,  
Saint-Augustin-de-Desmaures (CA)

(73) Assignee: **Exfo Inc.**, Quebec, QC

(\*\*) Term: **14 Years**

(21) Appl. No.: **29/447,472**

(22) Filed: **Mar. 4, 2013**

(51) **LOC (10) Cl.** ..... **10-04**

(52) **U.S. Cl.**  
USPC ..... **D10/78; D10/65**

(58) **Field of Classification Search**  
CPC . H04L 12/2602; H04L 12/2697; H04L 43/50;  
H04L 1/24; H04L 41/5038; H04W 24/06;  
H04W 24/08; G06F 15/173; G01R 31/2836  
USPC ..... D10/78; 73/1.57, 57, 431; 324/158 P;  
374/208-210; 379/156, 93.05, 93.25;  
439/487, 488, 928.1, 945, 946; 702/85,  
702/104, 116, 117; 709/213, 214, 216, 223;  
710/62, 72-74  
See application file for complete search history.

(56) **References Cited**

**U.S. PATENT DOCUMENTS**

D444,084	S	*	6/2001	Wrisley et al.	.....	D10/78
D444,085	S	*	6/2001	Wrisley et al.	.....	D10/78
D474,413	S	*	5/2003	Hoofnagle et al.	.....	D10/78
D605,961	S	*	12/2009	Tsou et al.	.....	D10/100
D652,747	S	*	1/2012	Ferris	.....	D10/49
D688,144	S	*	8/2013	Svard et al.	.....	D10/78
2010/0274884	A1	*	10/2010	Uematsu et al.	.....	709/223

**OTHER PUBLICATIONS**

Exfo Inc., Specification Sheet, FTB-1 Platform : Empowering Front-line Technicians, Dec. 2010, pp. 1-8, Canada.  
Exfo Inc., Specification Sheet, FTB-500 Platform : Boundless Capabilities, Testing Unlimited, Dec. 2004, pp. 1-9, Canada.  
Exfo Inc., Specification Sheet, MaxTester 630 : ADSL2+/VDSL2 Multiplay Testing Made Easy, Dec. 2012, pp. 1-9, Canada.

\* cited by examiner

*Primary Examiner* — Antoine D Davis

(74) *Attorney, Agent, or Firm* — Norton Rose Fulbright Canada, LLP; Alexandre Daoust

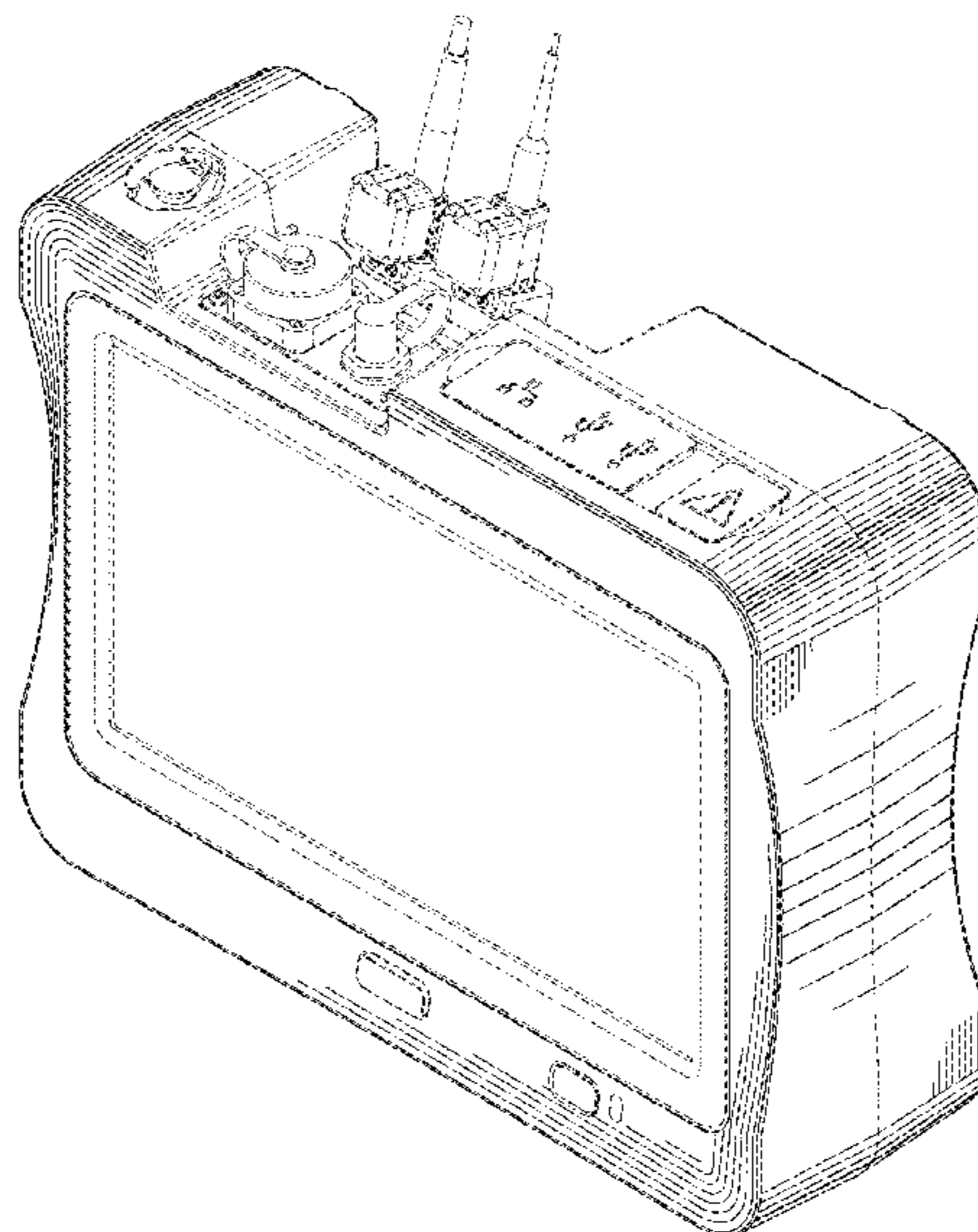
(57) **CLAIM**

The ornamental design for a portable test instrument, as shown and described.

**DESCRIPTION**

FIG. 1 is an oblique view of a first variant of the portable test instrument, showing my new design;  
FIG. 2 is a front elevation view thereof,  
FIG. 3 is a right side elevation view thereof,  
FIG. 4 is a left side elevation view thereof,  
FIG. 5 is a top plan view thereof,  
FIG. 6 is a rear elevation view thereof,  
FIG. 7 is a bottom plan view thereof,  
FIG. 8 is an oblique view of a second variant of the portable test instrument, showing my new design;  
FIG. 9 is a front elevation view thereof,  
FIG. 10 is a right side elevation view thereof,  
FIG. 11 is a left side elevation view thereof,  
FIG. 12 is a top plan view thereof,  
FIG. 13 is a rear elevation view thereof; and,  
FIG. 14 is a bottom plan view thereof.  
The lightweight broken line portions are included to show environmental unclaimed subject matter only and form no part of the claimed design.

**1 Claim, 8 Drawing Sheets**



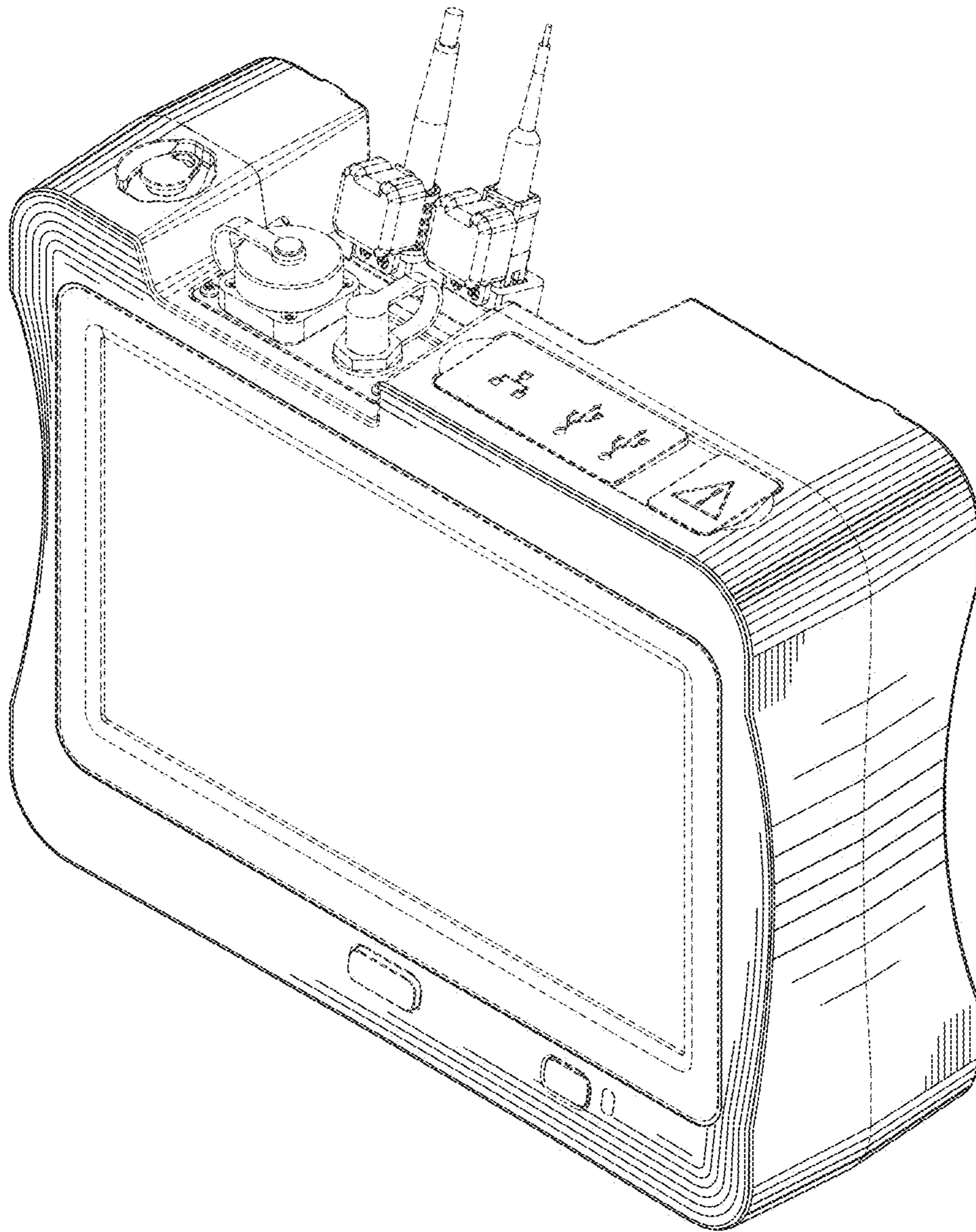
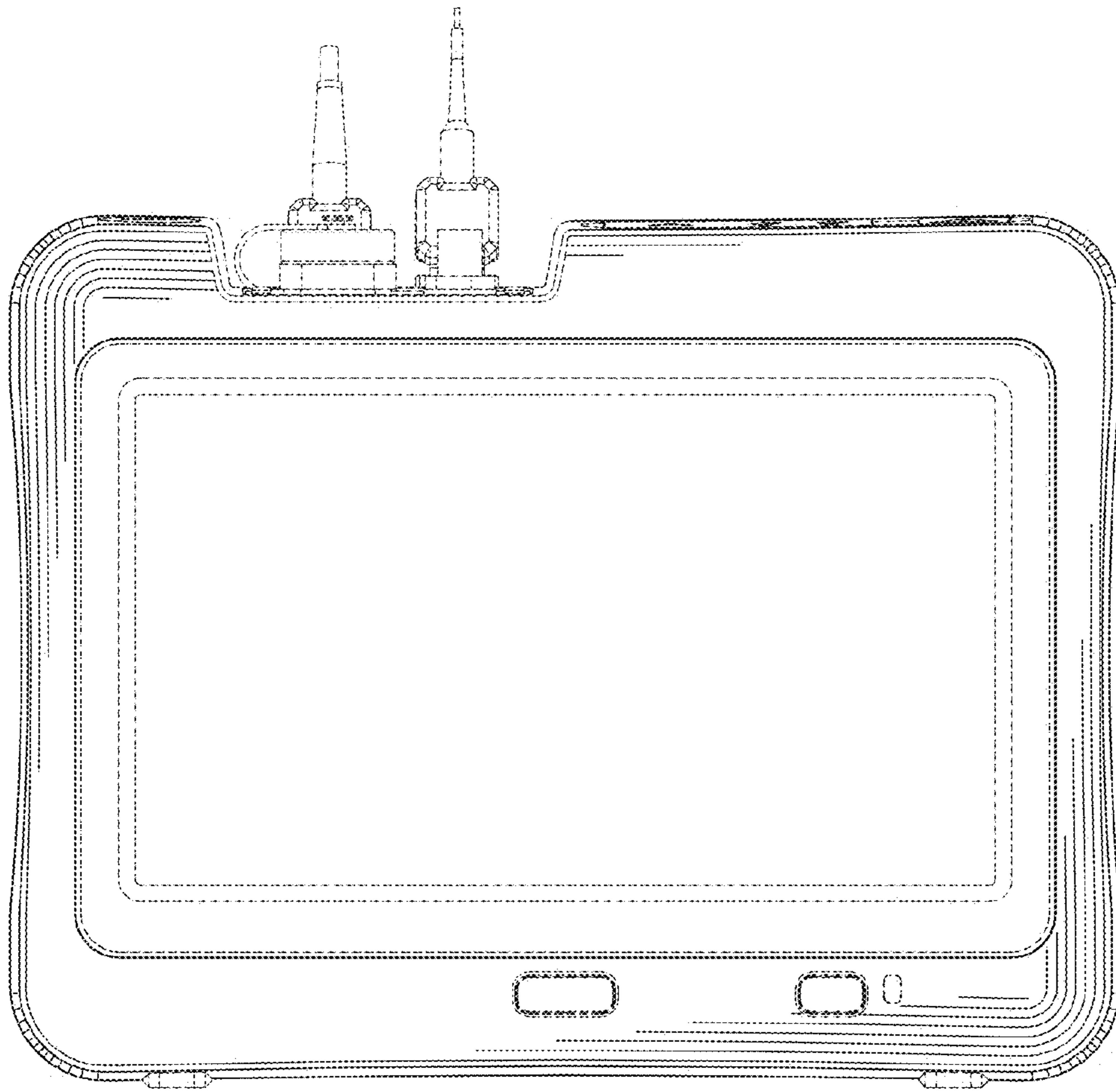


FIG. 1



*FIG. 2*



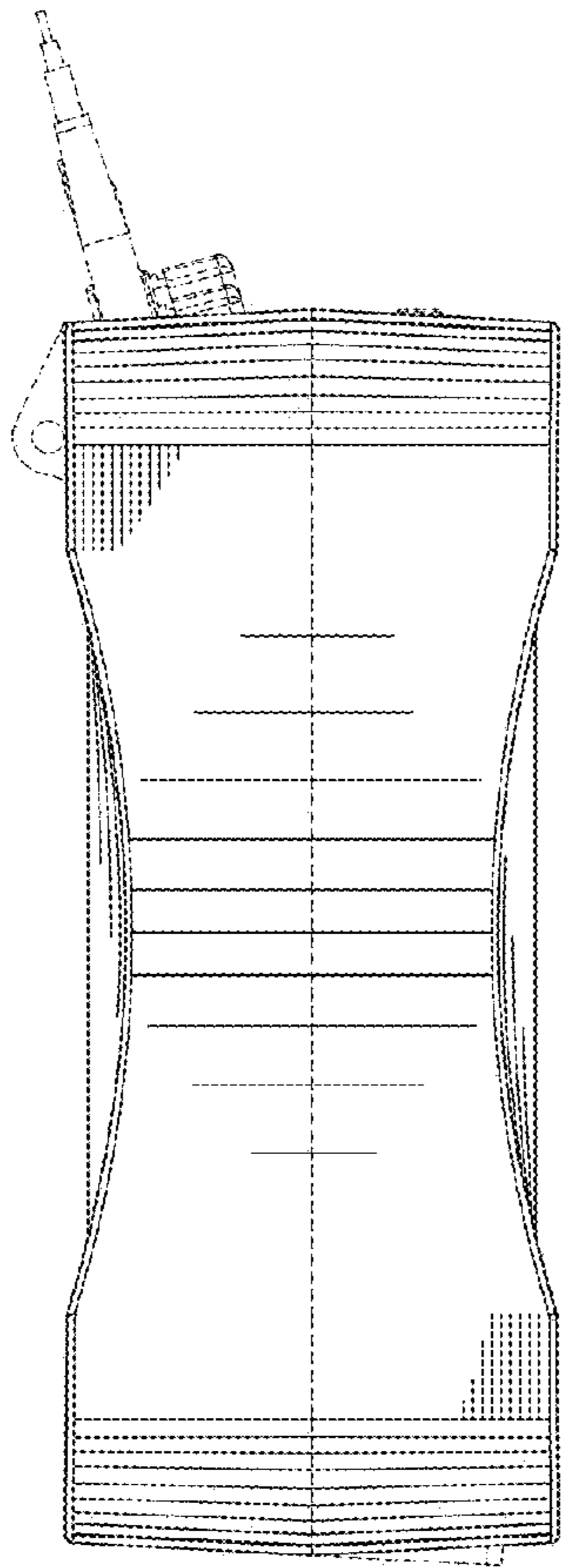


FIG. 3

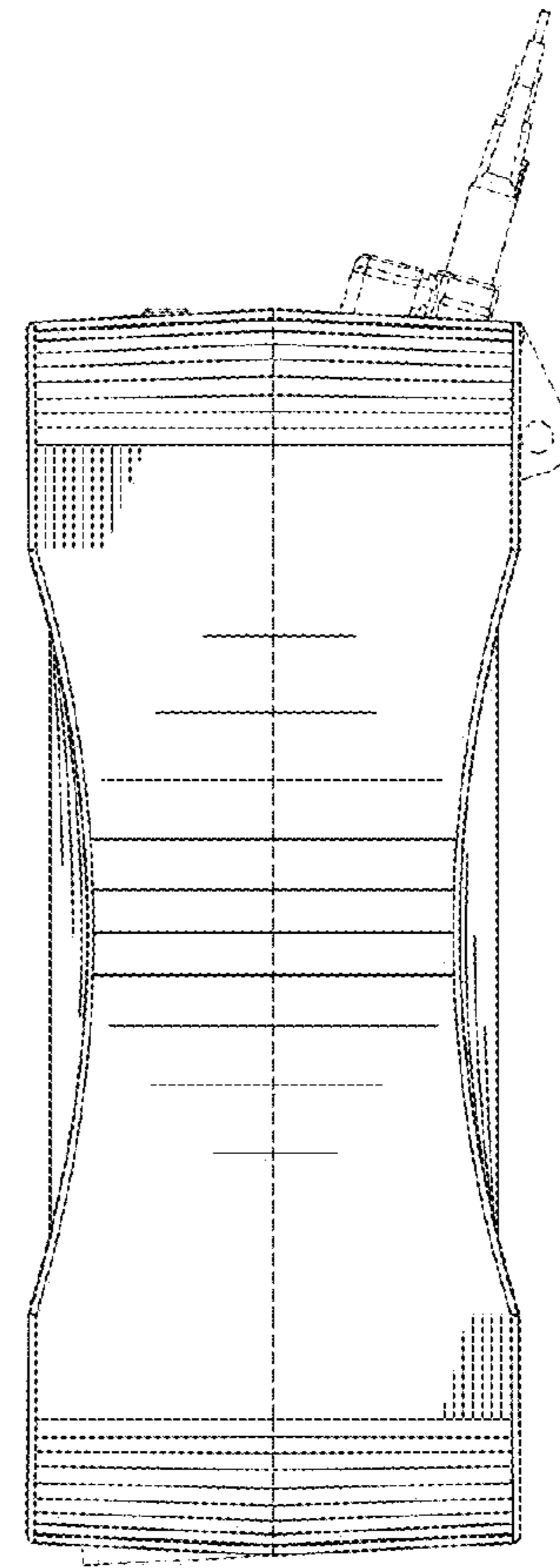


FIG. 4

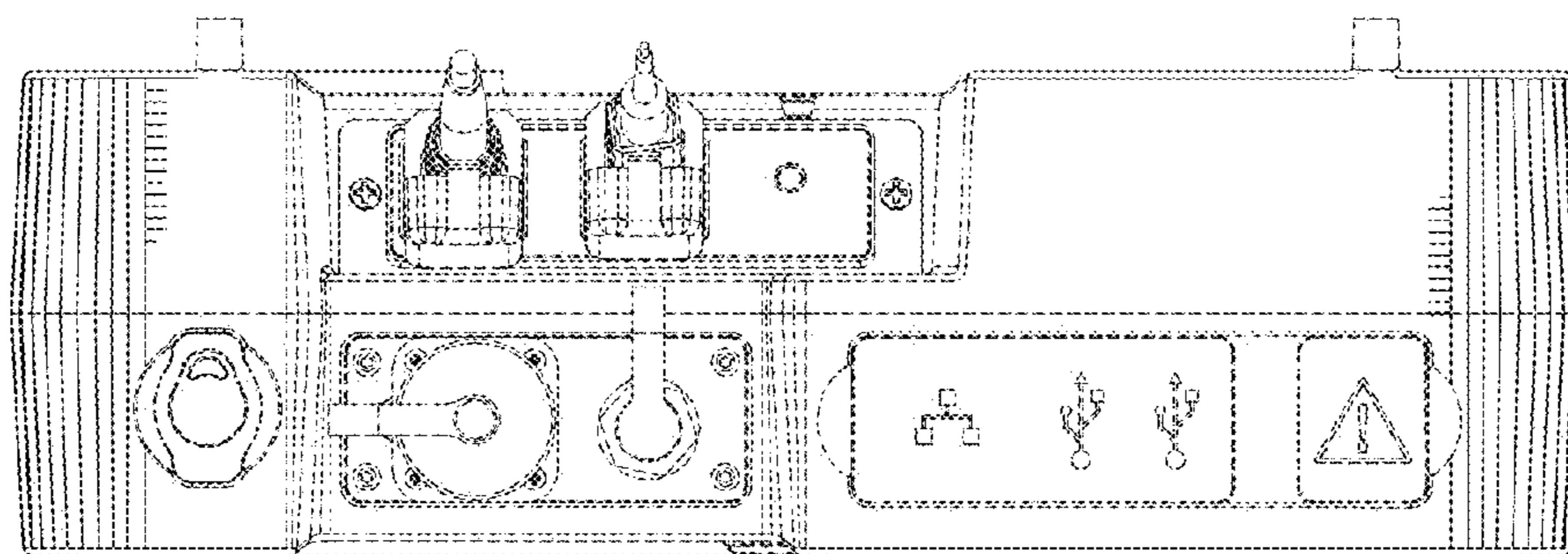
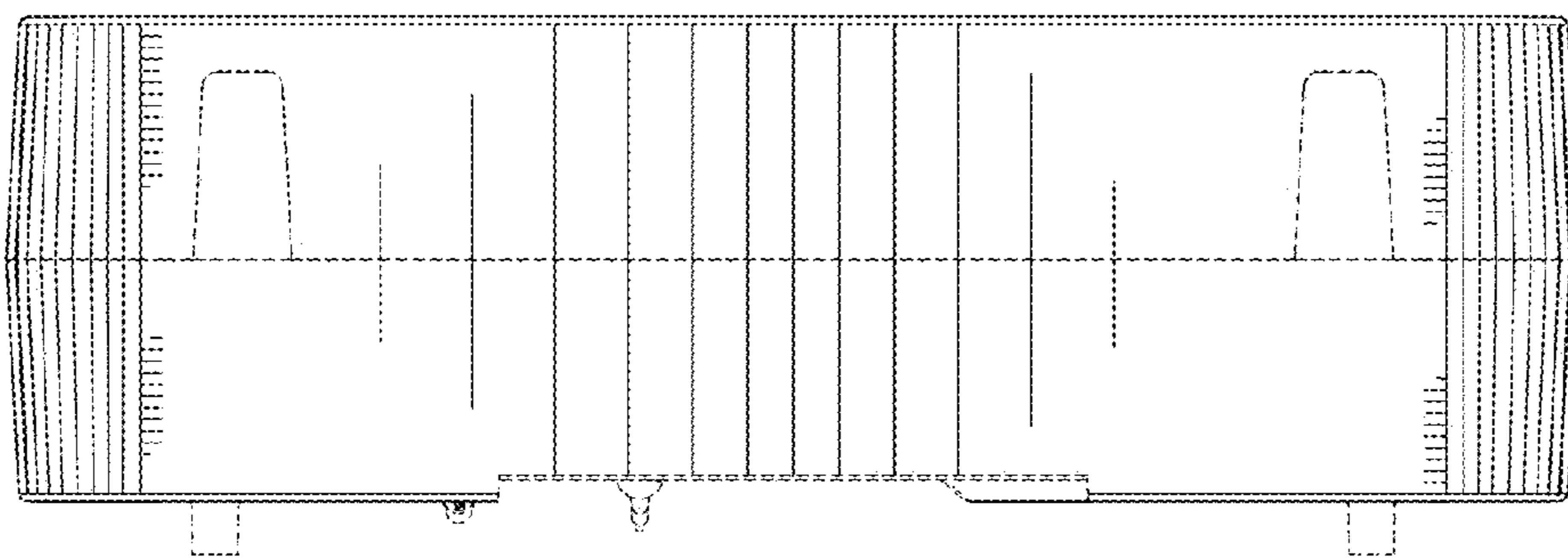
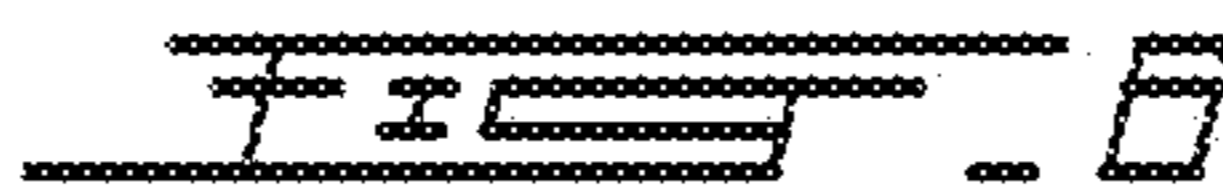
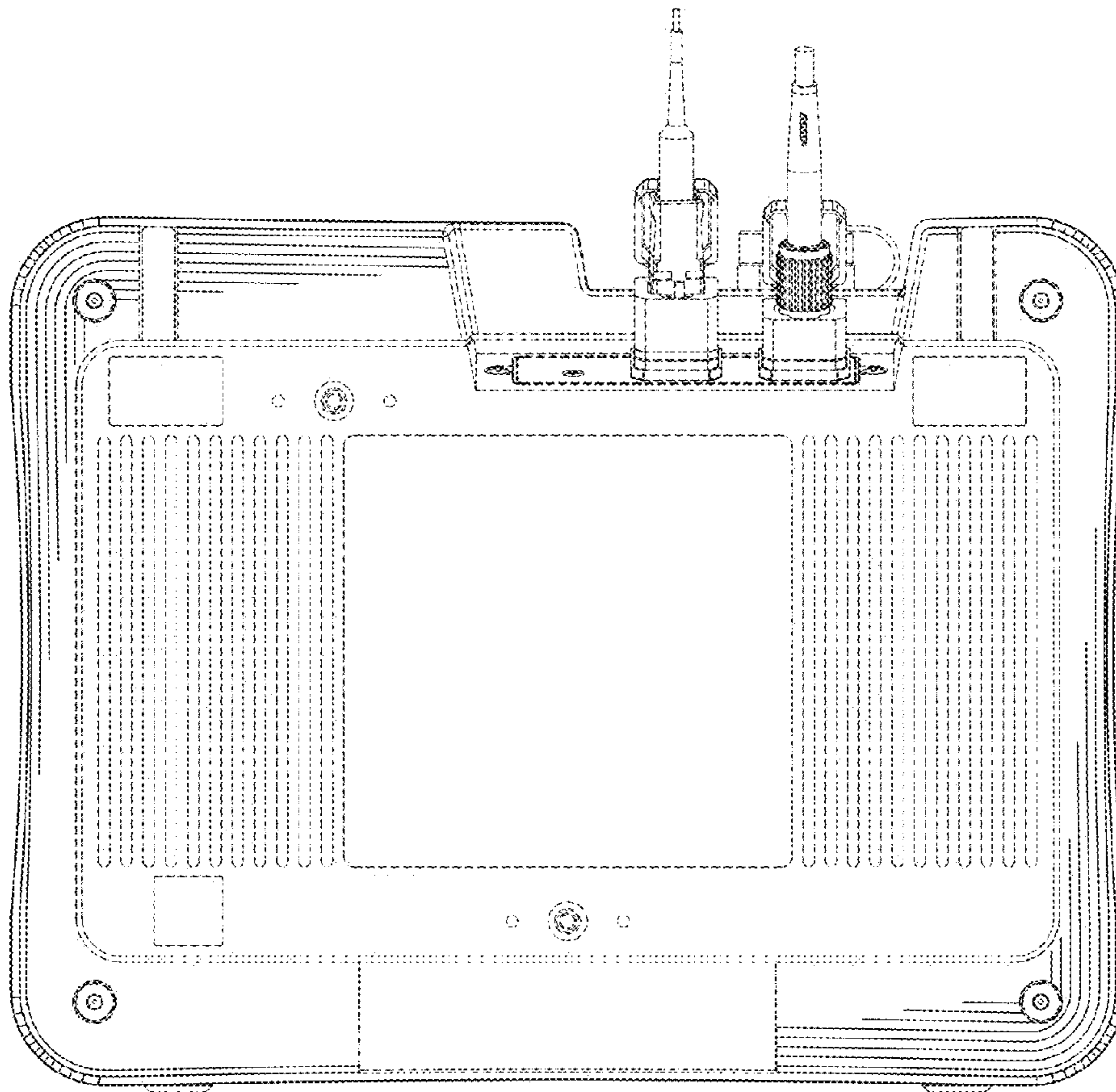


FIG. 5



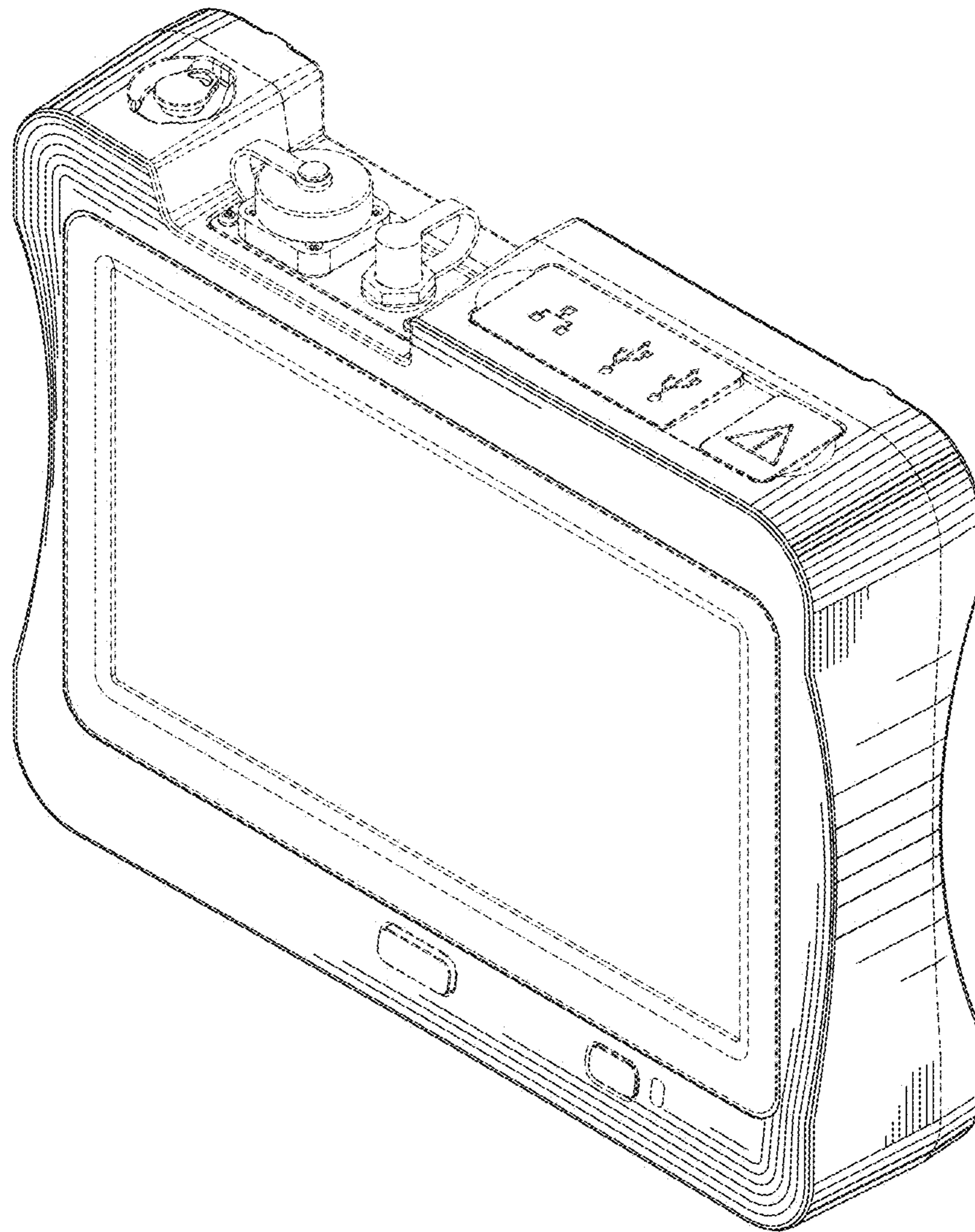
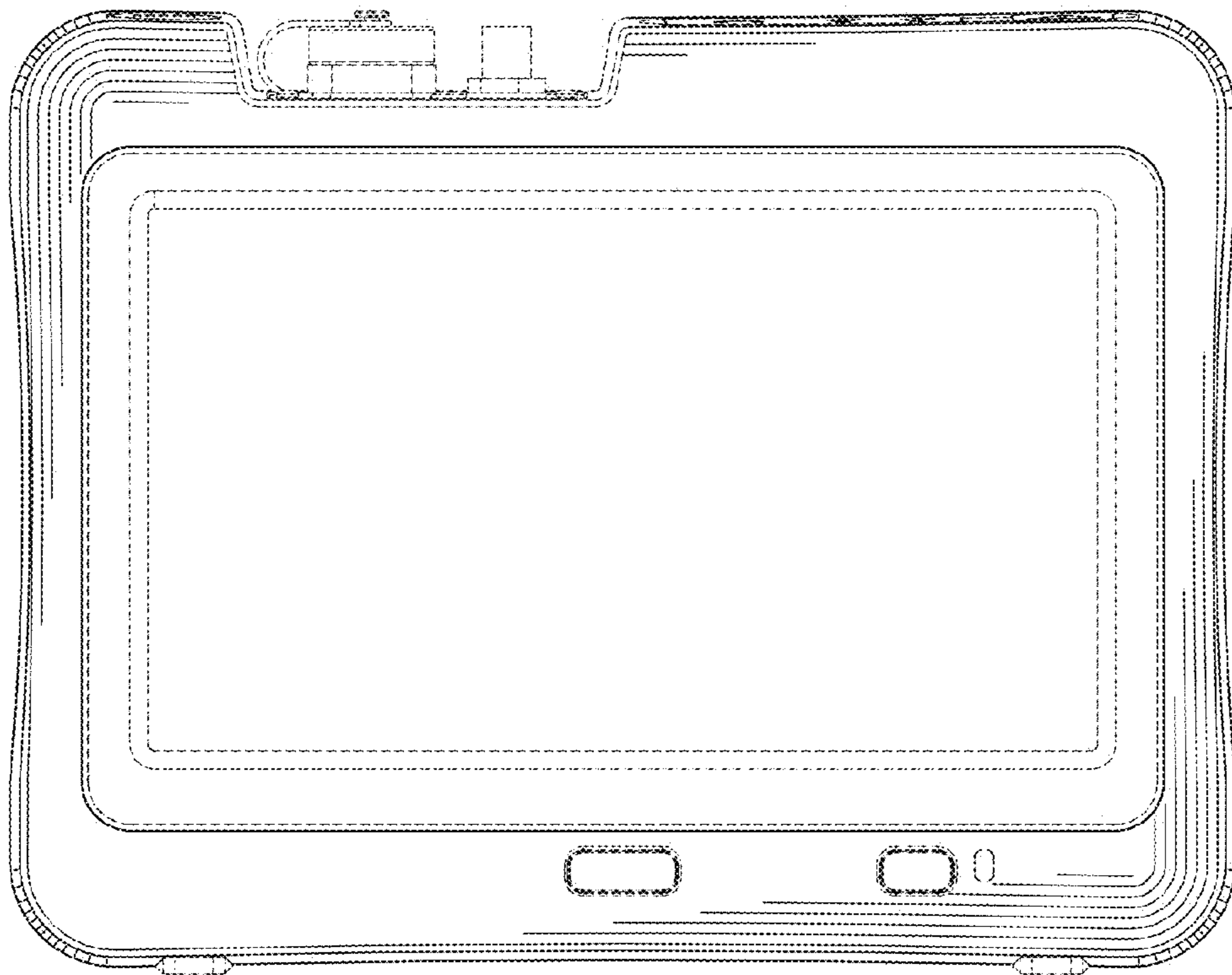


FIG. 8



*FIG. 9*



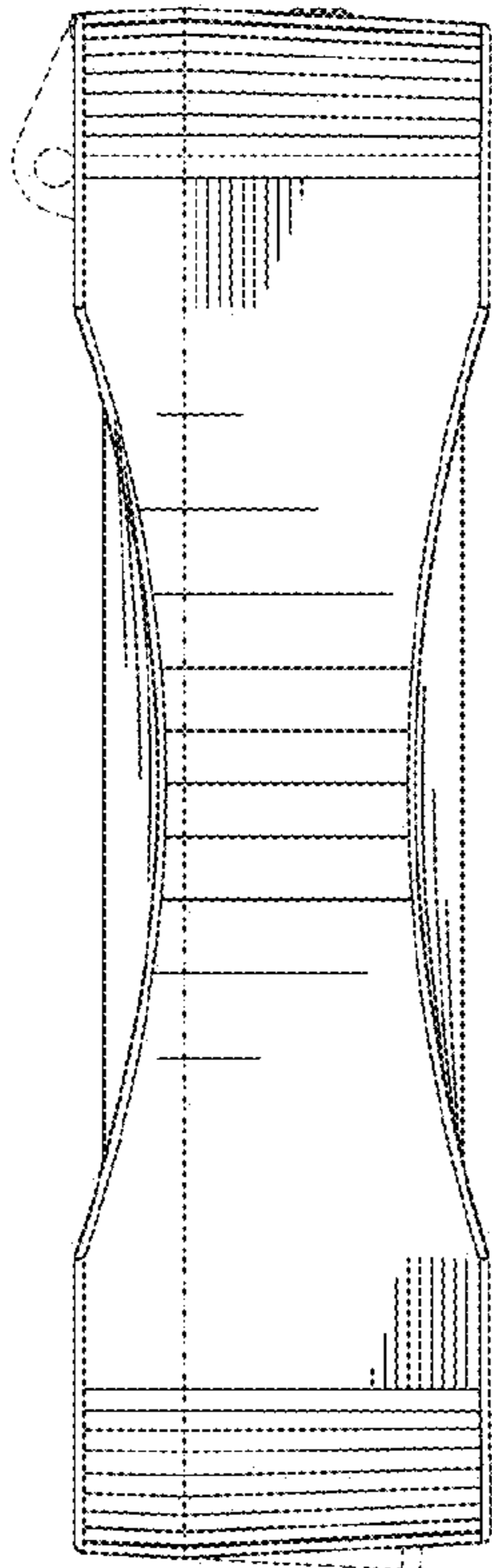


FIG. 10

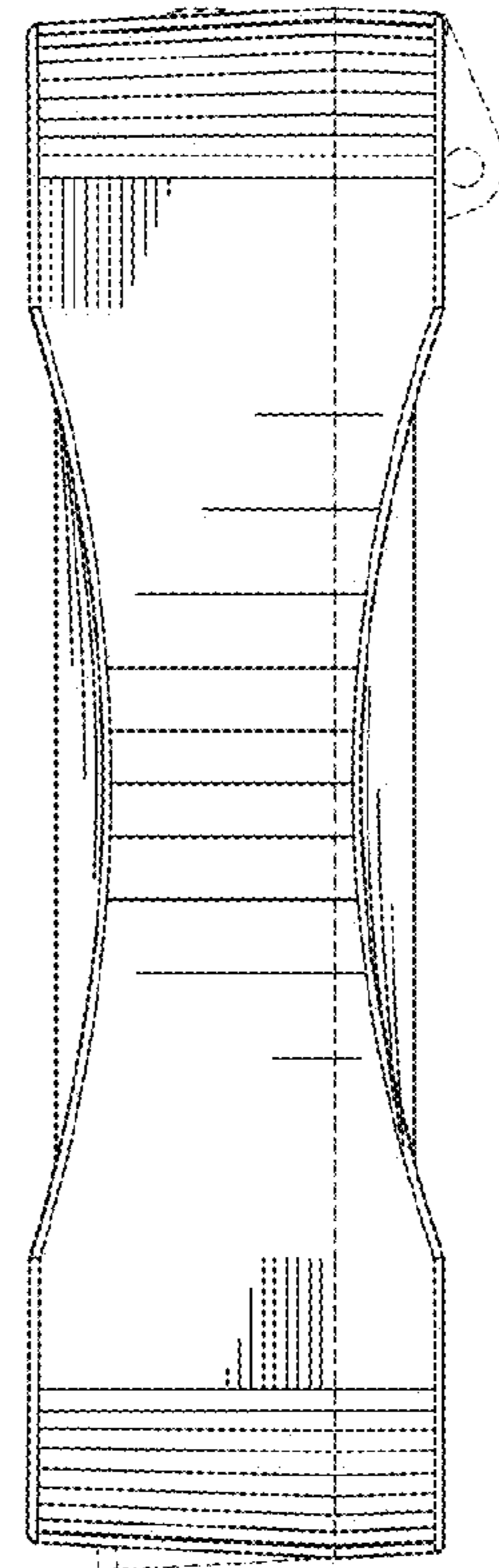


FIG. 11

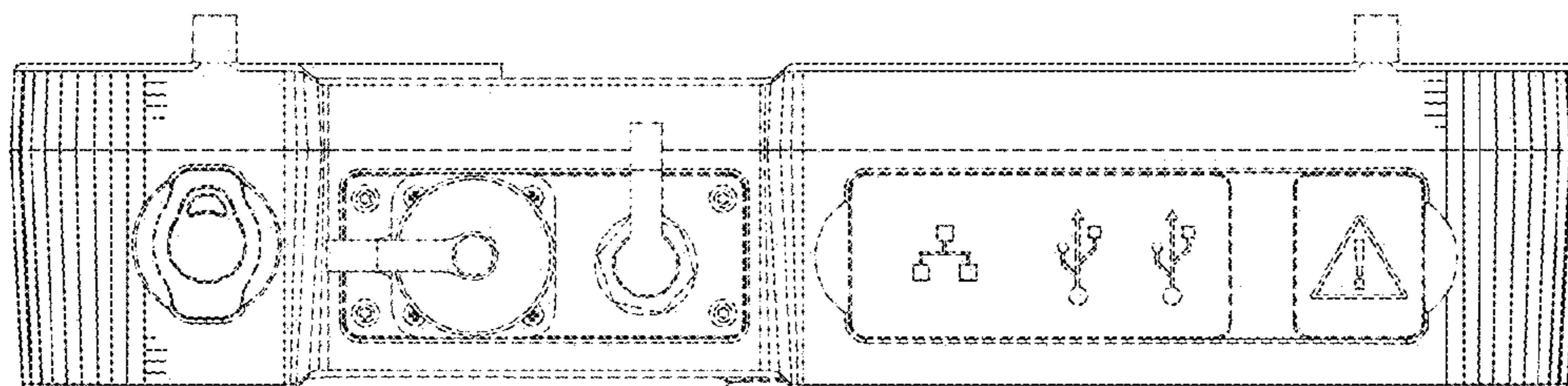


FIG. 12



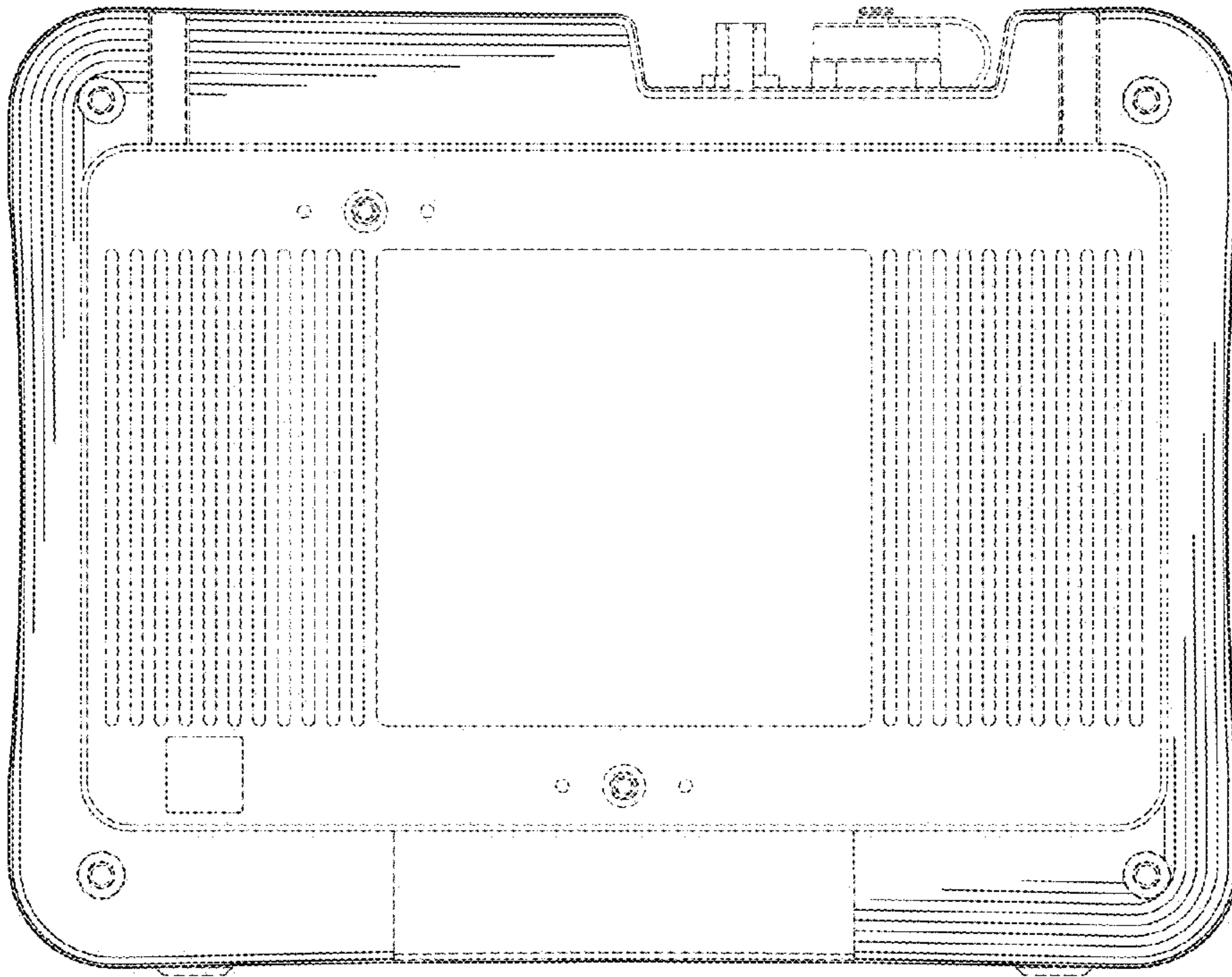


FIG. 13

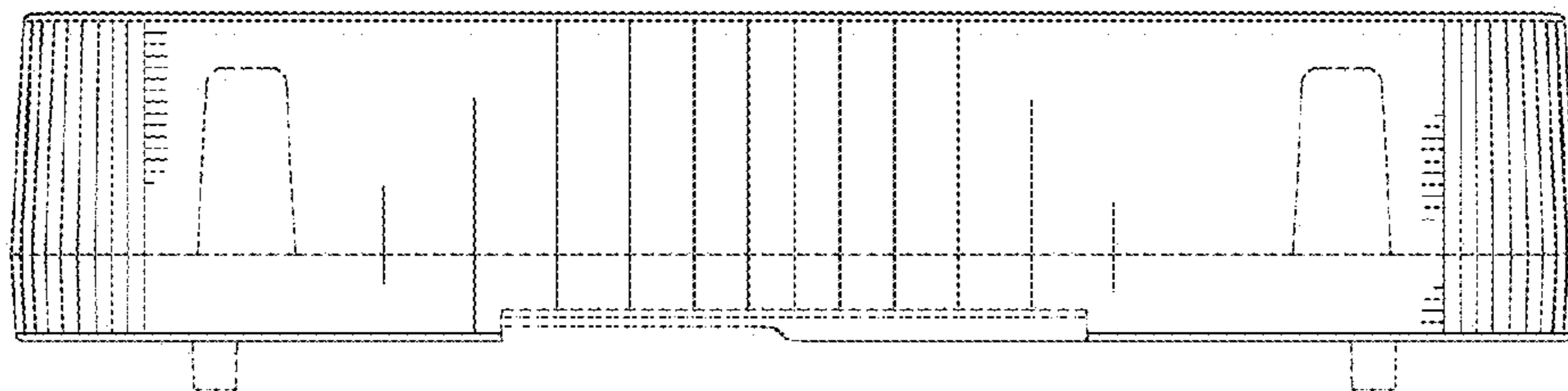


FIG. 14