

US00D710221S

(12) **United States Design Patent**
Buzzell

(10) **Patent No.:** **US D710,221 S**

(45) **Date of Patent:** **** Aug. 5, 2014**

(54) **SCRIBE SLOT FOR A RAFTER ANGLE SQUARE**

7,398,601 B2 7/2008 Morrell
D657,701 S * 4/2012 Martinez et al. D10/65
2004/0231175 A1* 11/2004 Allemand 33/429

(71) Applicant: **Johnson Level & Tool Mfg. Co., Inc.**,
Mequon, WI (US)

FOREIGN PATENT DOCUMENTS

(72) Inventor: **Paul H. Buzzell**, Milwaukee, WI (US)

WO WO2004081487 A2 9/2004

(73) Assignee: **Johnson Level & Tool Mfg. Co., Inc.**,
Mequon, WI (US)

* cited by examiner

Primary Examiner — Antoine D Davis

(**) Term: **14 Years**

(74) *Attorney, Agent, or Firm* — Boyle Fredrickson, S.C.

(21) Appl. No.: **29/446,197**

(57) **CLAIM**

(22) Filed: **Feb. 21, 2013**

The ornamental design for a scribe slot for a rafter angle square, as shown and described.

(51) **LOC (10) Cl.** **10-04**

(52) **U.S. Cl.**
USPC **D10/74; D10/65**

(58) **Field of Classification Search**
USPC D10/65, 74; 33/429, 474, 476, 477, 479
See application file for complete search history.

DESCRIPTION

(56) **References Cited**

U.S. PATENT DOCUMENTS

5,170,568 A 12/1992 Wright
D369,981 S 5/1996 Hayes et al.
5,575,074 A 11/1996 Cottongim et al.
5,727,325 A 3/1998 Mussell
6,688,014 B1 2/2004 Allemand
6,868,616 B2 * 3/2005 Allemand 33/476

FIG. 1 is an isometric view of a scribe slot for a rafter angle square incorporating my new design, wherein the portions shown in phantom illustrate environment and form no part of the claimed design;

FIG. 2 is a front elevation view thereof;

FIG. 3 is a rear elevation view thereof;

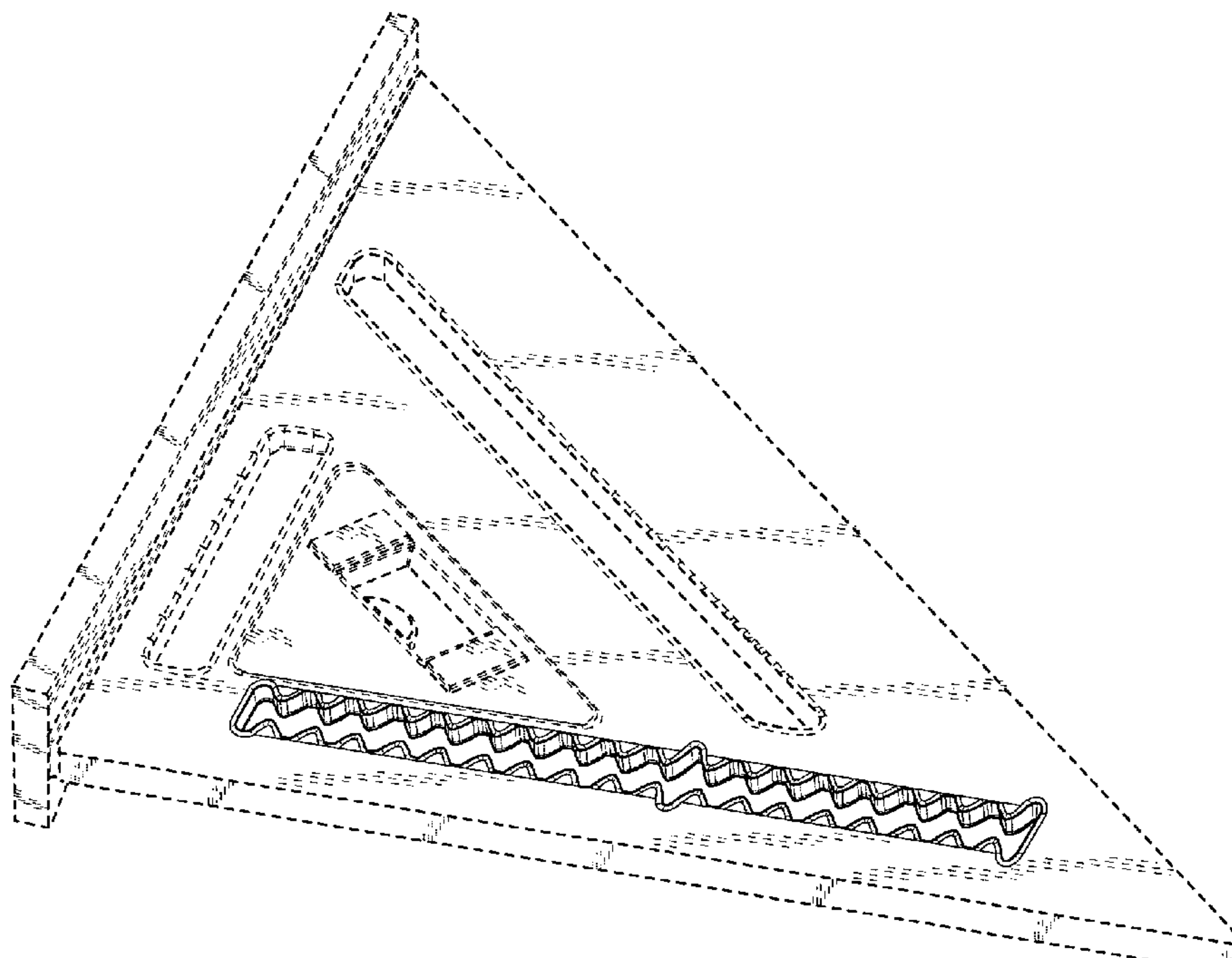
FIG. 4 is a bottom plan view thereof;

FIG. 5 is a left side elevation view thereof;

FIG. 6 is a right side elevation view thereof; and,

FIG. 7 is a top plan view thereof.

1 Claim, 7 Drawing Sheets



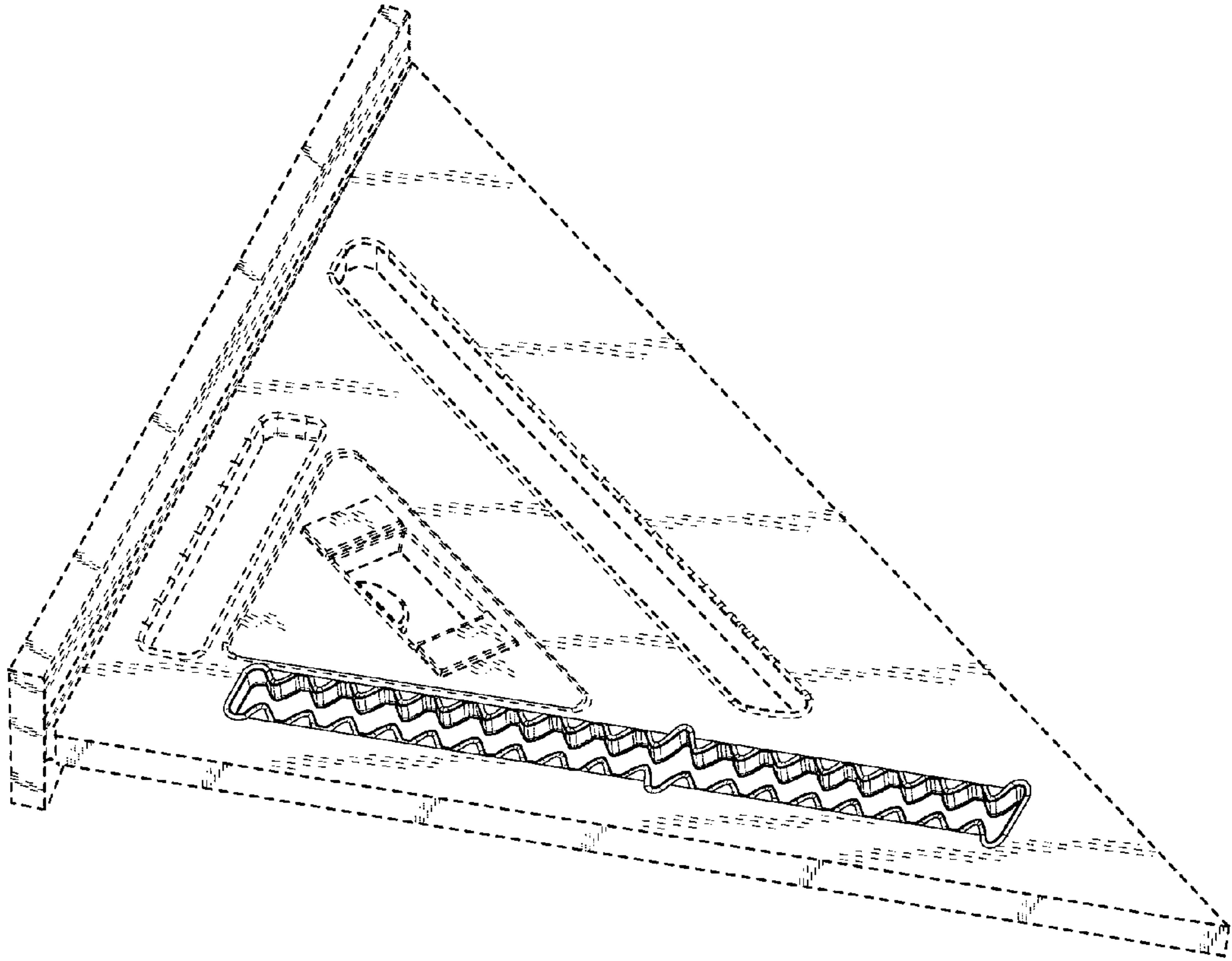


FIG. 1

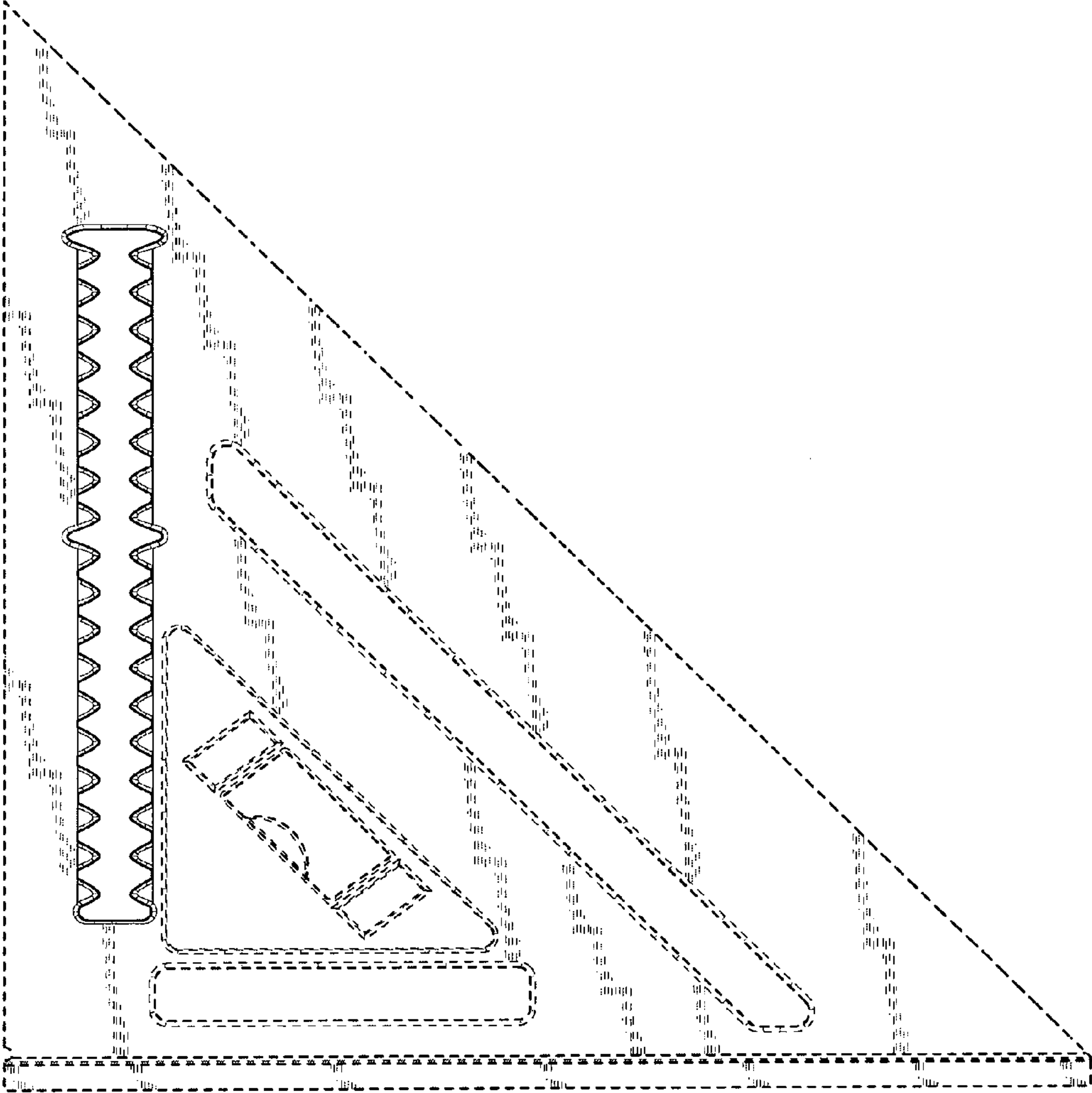


FIG. 2

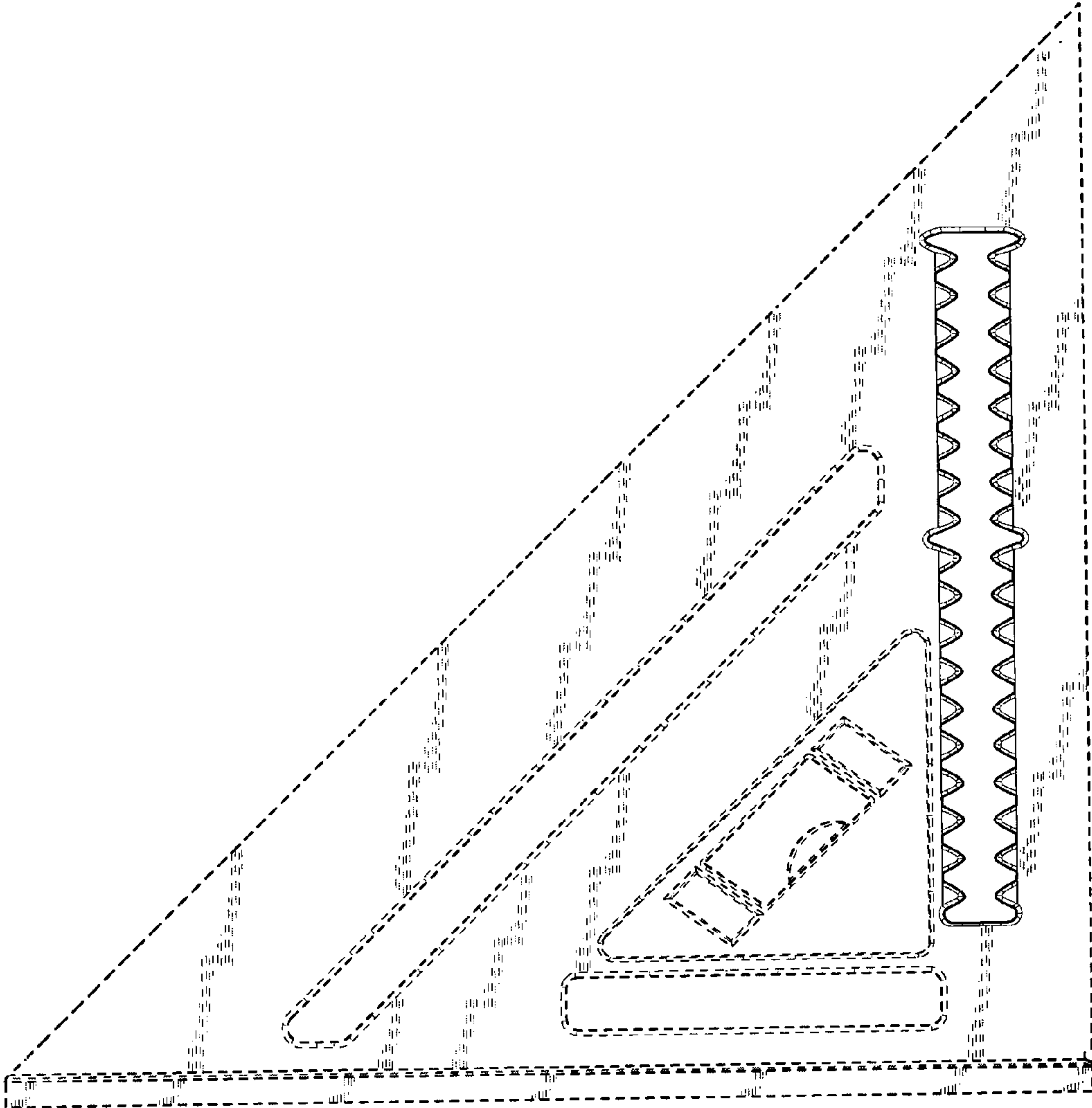


FIG. 3

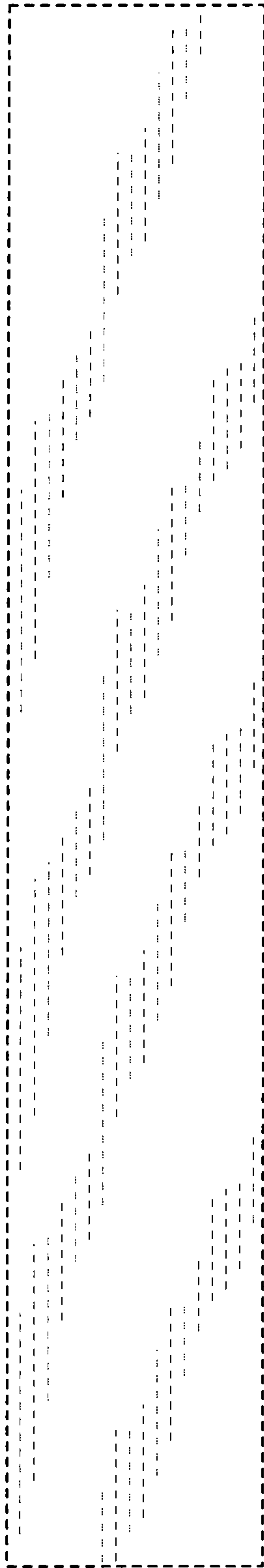


FIG. 4

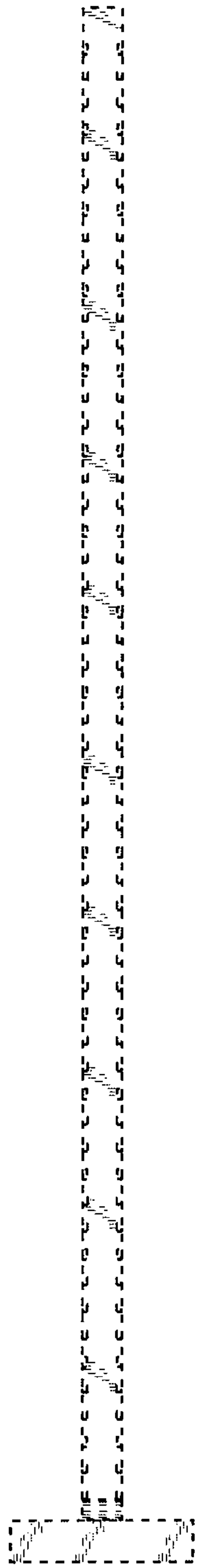


FIG. 5

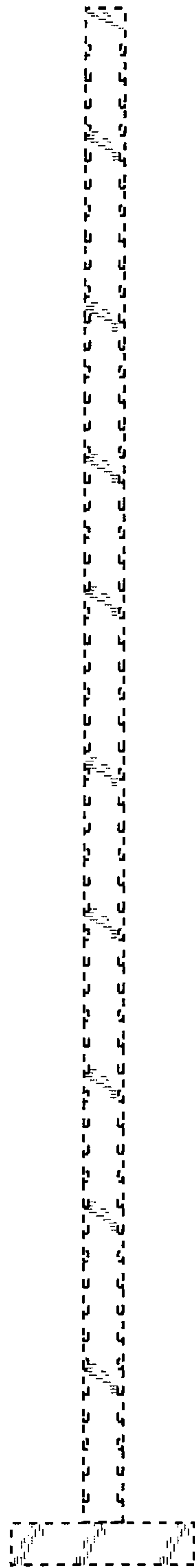


FIG. 6

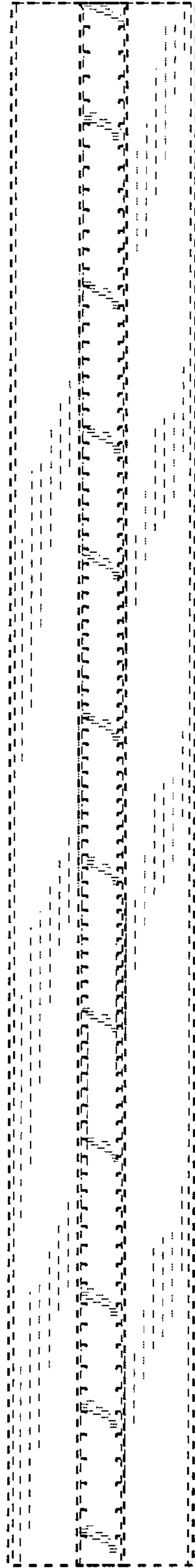


FIG. 7