



US00D710218S

(12) **United States Design Patent**  
**Tanaka et al.**

(10) **Patent No.:** **US D710,218 S**

(45) **Date of Patent:** **\*\* \*Aug. 5, 2014**

(54) **TIME RECORDER**

(71) Applicant: **SEIKO Precision Inc.**, Narashino (JP)

(72) Inventors: **Hideki Tanaka**, Chiba (JP); **Tetsuo Okaya**, Nagano (JP)

(73) Assignee: **SEIKO Precision, Inc.** (JP)

(\*) Notice: This patent is subject to a terminal disclaimer.

(\*\*) Term: **14 Years**

(21) Appl. No.: **29/467,360**

(22) Filed: **Sep. 18, 2013**

(30) **Foreign Application Priority Data**

Mar. 28, 2013 (JP) ..... 2013-006997

(51) **LOC (10) Cl.** ..... **10-03**

(52) **U.S. Cl.**  
USPC ..... **D10/41**

(58) **Field of Classification Search**  
USPC ..... D10/1-39, 40, 41; 368/10, 47; 235/487,  
235/494; 346/45, 53, 55, 80-86; 705/32  
See application file for complete search history.

(56) **References Cited**

**U.S. PATENT DOCUMENTS**

D161,941	S *	2/1951	Kress	.....	D10/41
2,816,810	A *	12/1957	Juhas	.....	346/83
3,611,423	A *	10/1971	Rutsche	.....	346/86
3,942,182	A *	3/1976	Sato	.....	346/53
4,516,138	A *	5/1985	Iwasawa et al.	.....	346/80
4,603,335	A *	7/1986	Koyasu	.....	346/17
D304,162	S *	10/1989	Calkins	.....	D10/41
5,767,868	A *	6/1998	Sugiuchi et al.	.....	346/82
5,842,181	A *	11/1998	Fanjoy	.....	705/32
6,061,303	A *	5/2000	Gauthier et al.	.....	368/10
6,560,166	B1 *	5/2003	Saito et al.	.....	368/47
6,765,600	B2 *	7/2004	Yamagishi et al.	.....	346/83

6,817,537	B2 *	11/2004	Watanabe et al.	.....	235/494
D553,513	S *	10/2007	Takeda et al.	.....	D10/41
D553,514	S *	10/2007	Tanaka et al.	.....	D10/41
D605,062	S *	12/2009	Matsumoto	.....	D10/41
D605,955	S *	12/2009	Matsumoto	.....	D10/41
D635,035	S *	3/2011	Matsumoto	.....	D10/41
8,189,018	B2 *	5/2012	Matsumoto	.....	346/80
2003/0178497	A1 *	9/2003	Watanabe et al.	.....	235/494

**OTHER PUBLICATIONS**

U.S. Appl. No. 29/467,369 of Hideki Tanaka titled "Time Recorder," filed Sep. 18, 2013, amended Sep. 18, 2013.

(Continued)

*Primary Examiner* — Caron D Veynar

*Assistant Examiner* — Martie K Holtje

(74) *Attorney, Agent, or Firm* — SAIDMAN DesignLaw Group

(57) **CLAIM**

The ornamental design for a time recorder, as shown and described.

**DESCRIPTION**

FIG. 1 is a front perspective view of a time recorder showing our new design;

FIG. 2 is a rear perspective view thereof;

FIG. 3 is a front view thereof;

FIG. 4 is a rear view thereof;

FIG. 5 is a left side view thereof, the right side view being a mirror image thereof;

FIG. 6 is a top view thereof; and,

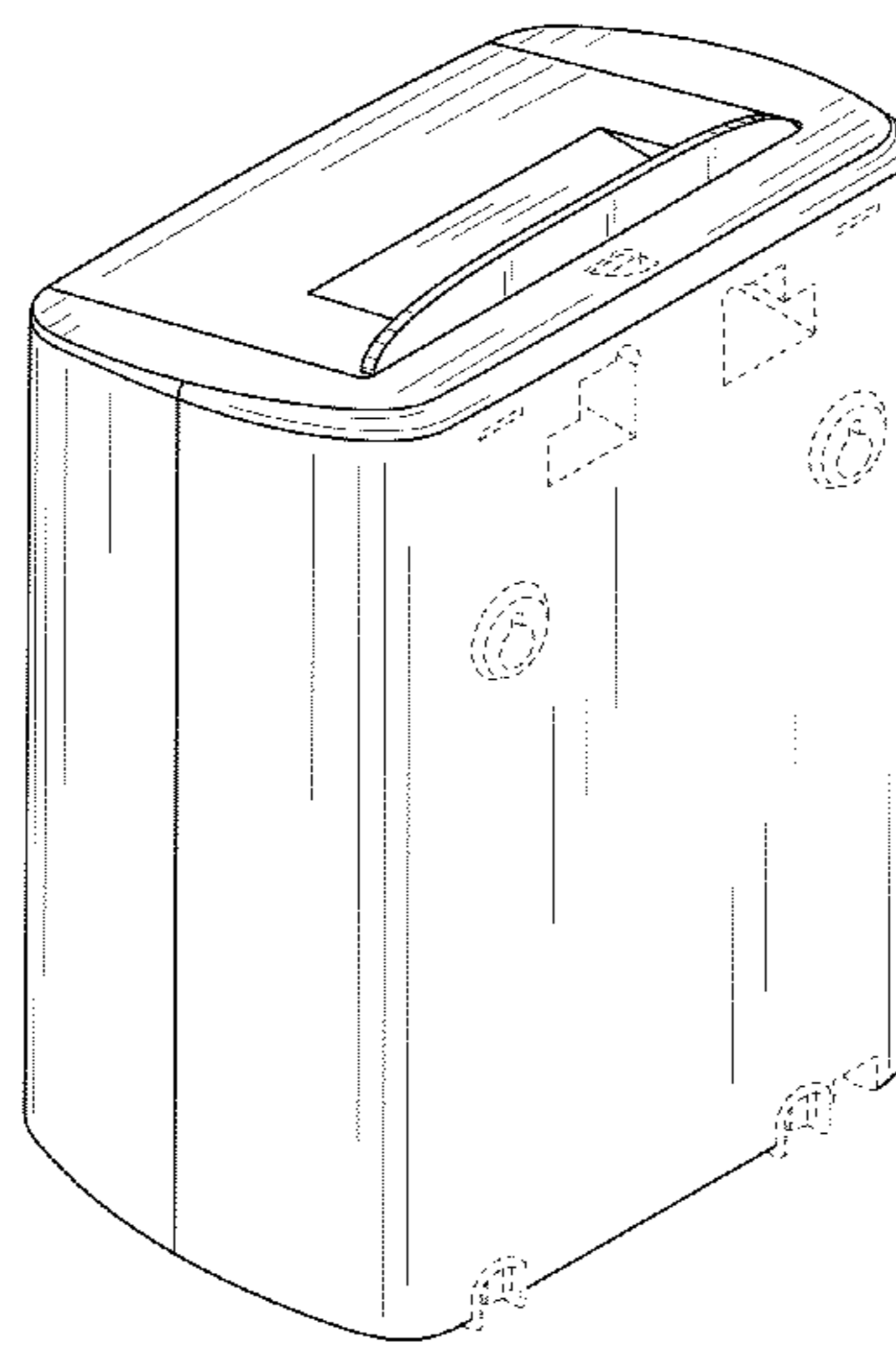
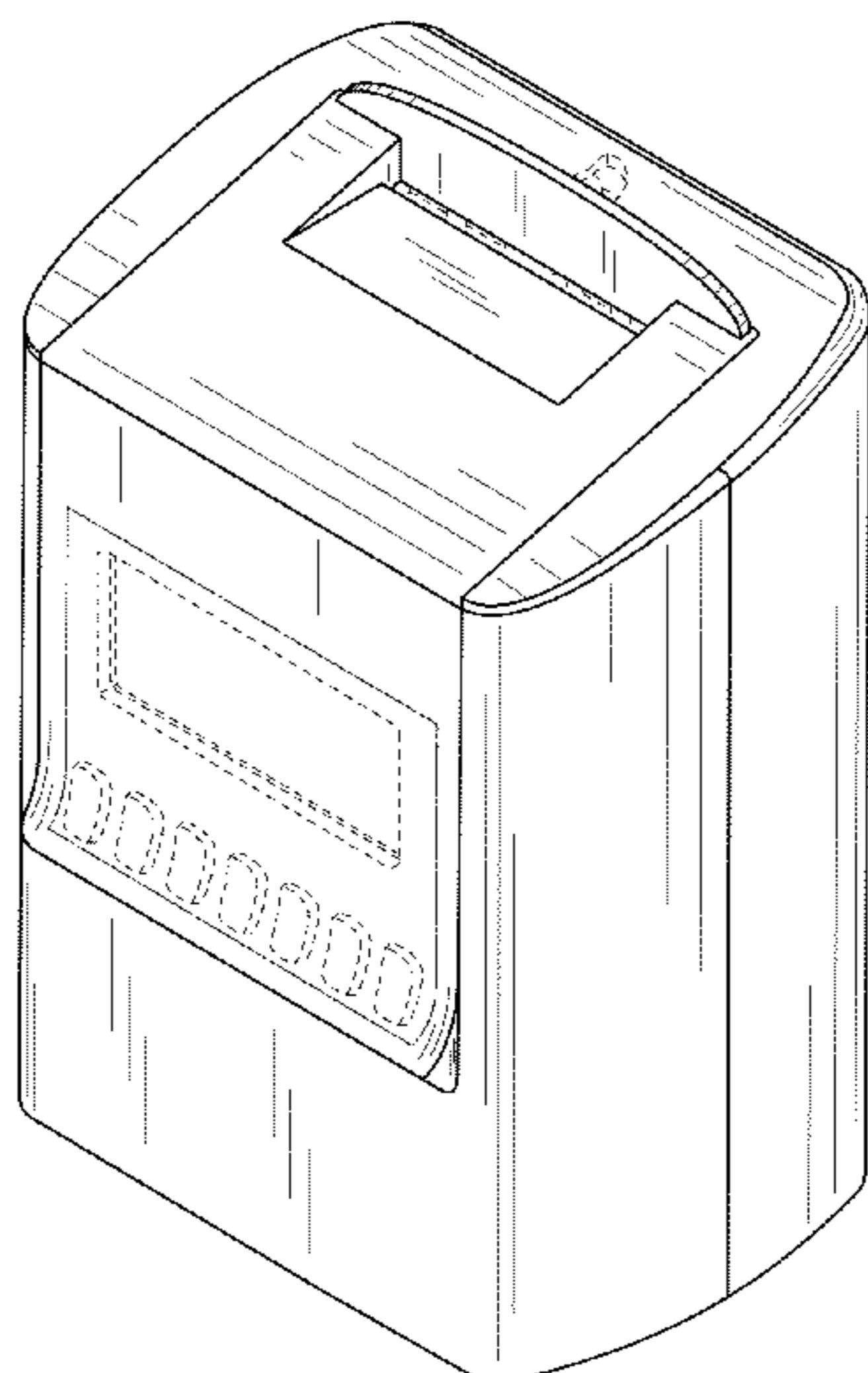
FIG. 7 is a bottom view thereof.

The dashed broken lines illustrate environmental structure and form no part of the claimed design.

The dot-dash broken lines, in FIGS. 1 and 3, represent an unclaimed boundary between claimed and unclaimed portions.

The drawings include surface shading which represents contour, not surface ornamentation.

**1 Claim, 6 Drawing Sheets**



(56)

**References Cited**

OTHER PUBLICATIONS

Seiko Precision Catalogue, Model No. TP-20, first sale in Japan Feb. 2005.

Seiko Precision Catalogue, Model No. TP-8, first sale in Japan Feb. 2007.

Seiko Precision Catalogue, Model No. QR-395, first sale in Japan Feb. 2011.

Seiko Precision Catalogue, Model No. QR-340, first sale in Japan Feb. 2012.

Lathem Catalogue, Model No. 5000EP, Lathem version of Japanese TP-20, published in the United States 2010, first shipping overseas from Japan Jul. 2003.

Lathem Catalogue, Model No. 1500E, Lathem version of Japanese TP-8, published in the United States 2005, first shipping overseas from Japan Jun. 2005.

Lathem Catalogue, Model No. 7500E, Lathem version of Japanese QR-395, published in the United States 2010, first shipping overseas from Japan Sep. 2009.

SimplexGrinnell Catalogue, Model No. EP40, Simplex version of Japanese TP-20, published in the United States 2011, first shipping overseas from Japan Dec. 2010.

\* cited by examiner

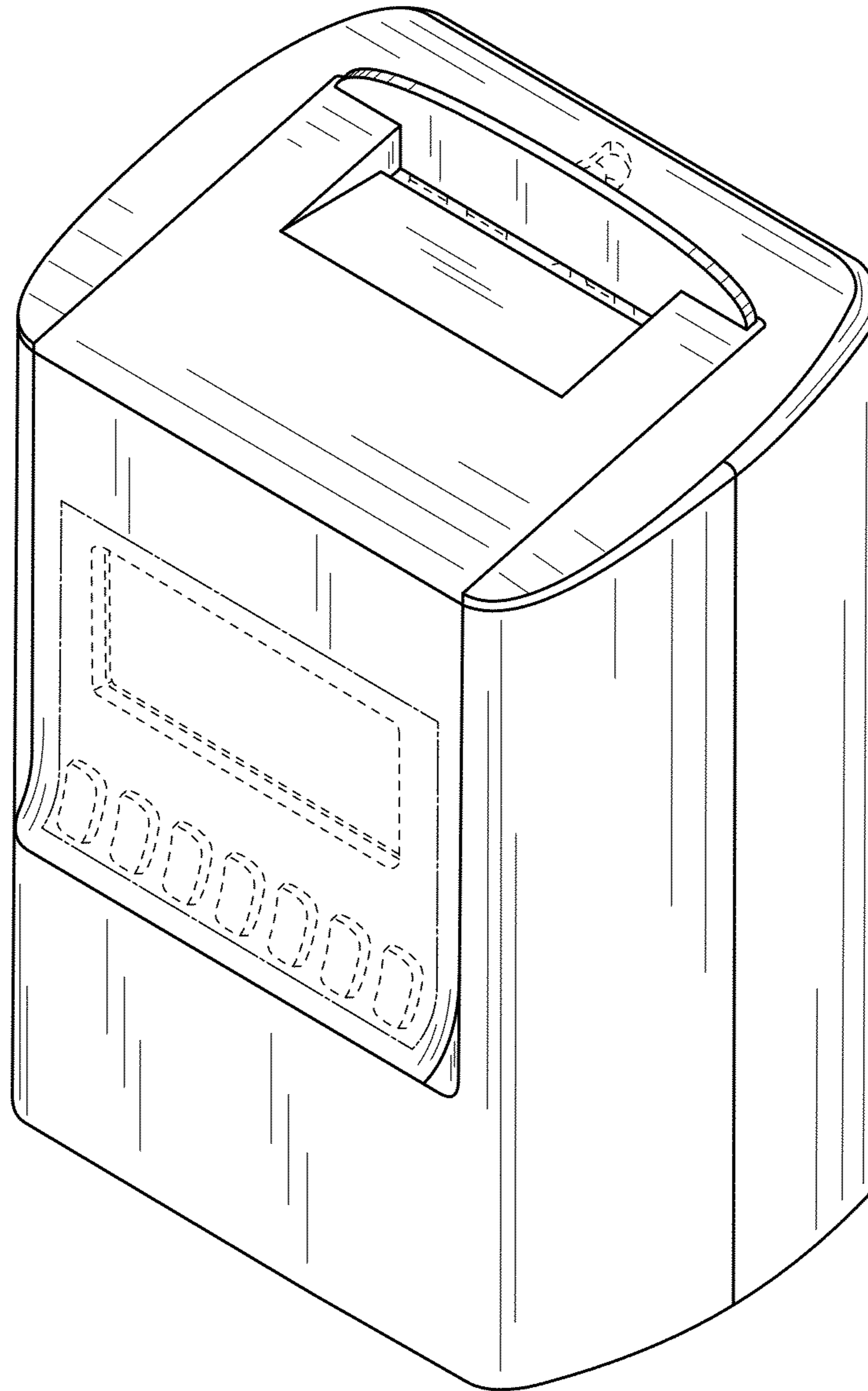


FIG. 1

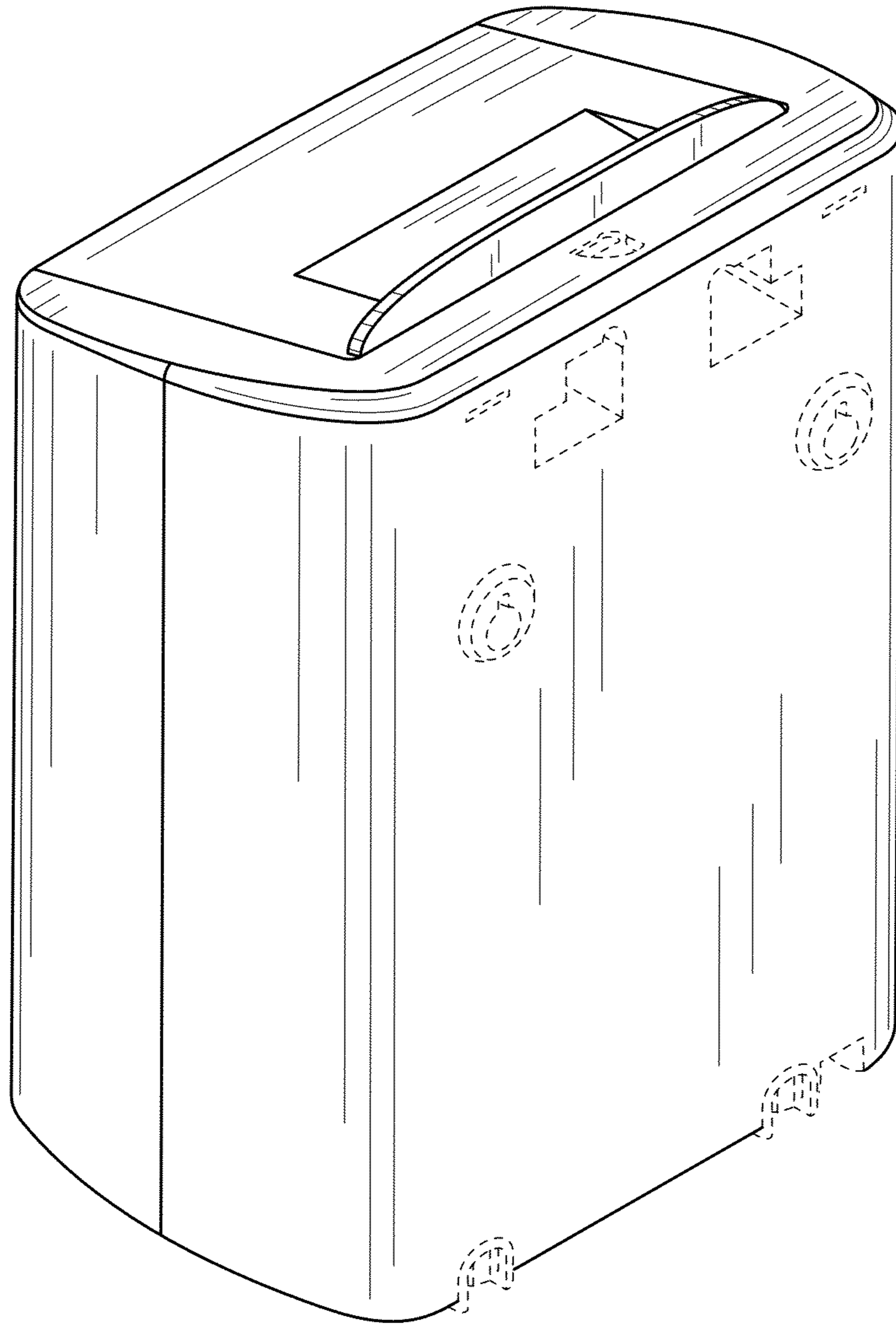


FIG. 2

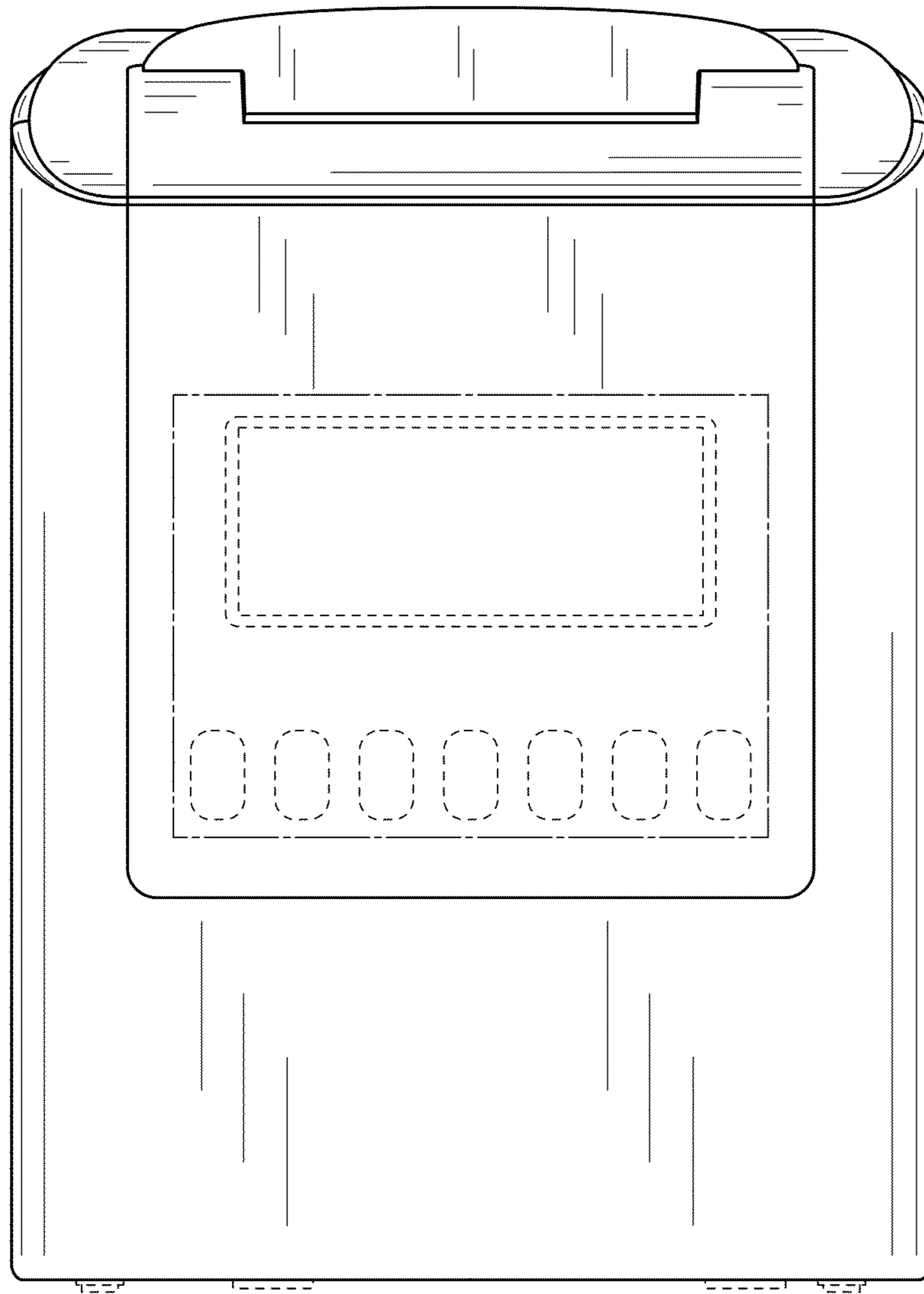


FIG. 3

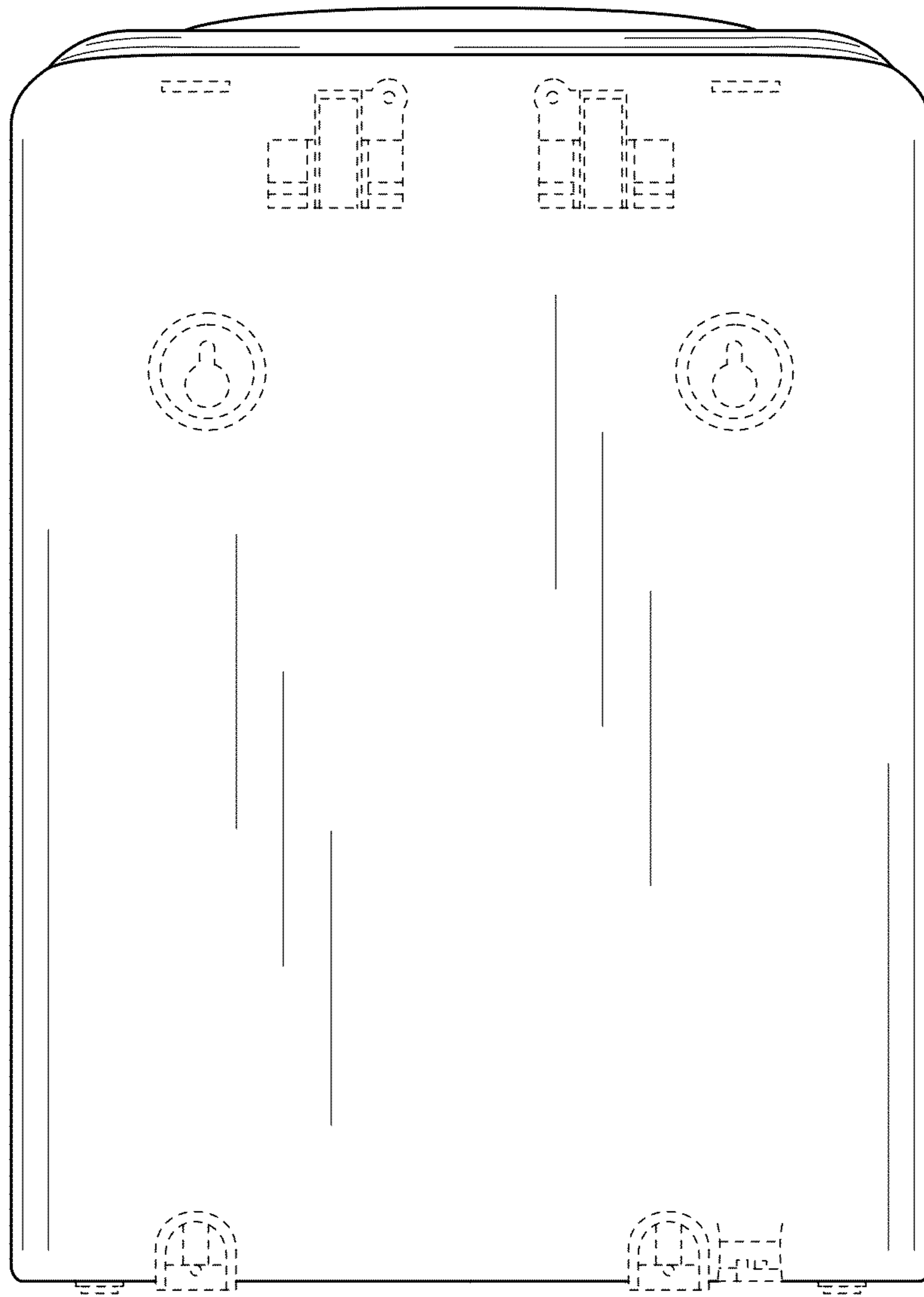


FIG. 4

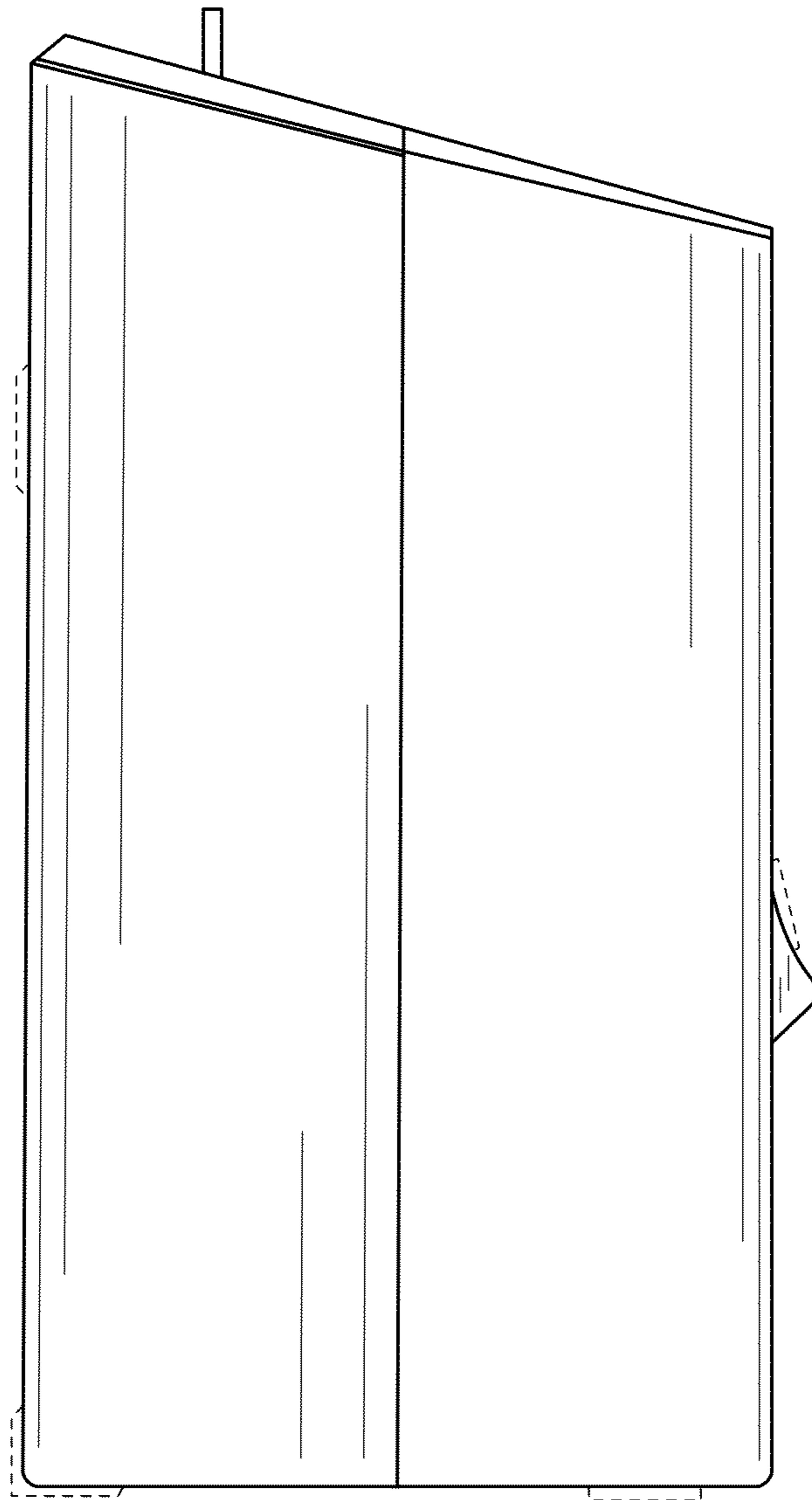


FIG. 5

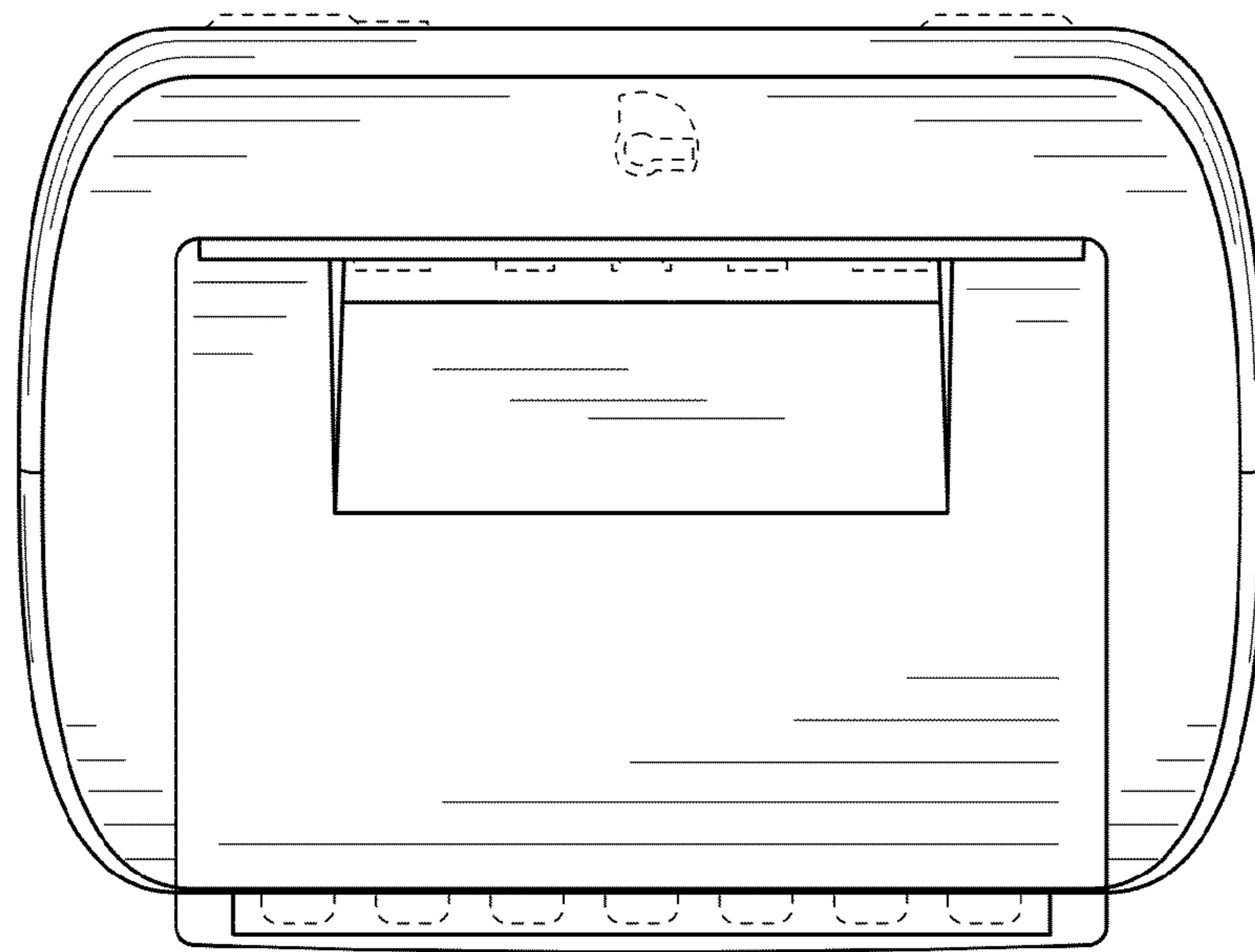


FIG. 6

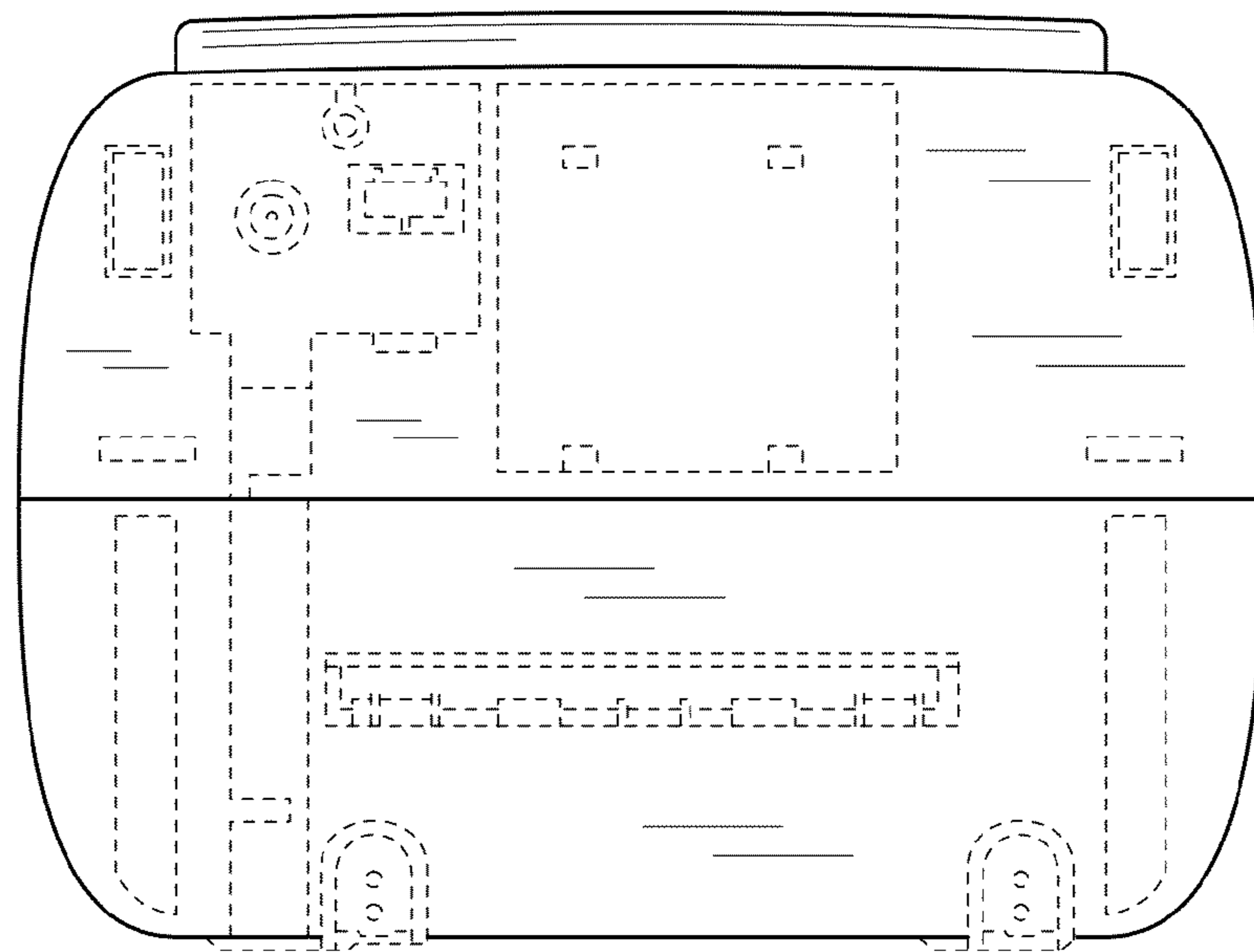


FIG. 7