



US00D710216S

(12) **United States Design Patent**
Mille

(10) **Patent No.:** **US D710,216 S**
(45) **Date of Patent:** **** Aug. 5, 2014**

- (54) **WATCHCASE**
- (71) Applicant: **Turlen Holding SA**, Soyhières (CH)
- (72) Inventor: **Richard Mille**, Moulins (FR)
- (73) Assignee: **Turlen Holding SA**, Soyhieres (CH)
- (**) Term: **14 Years**
- (21) Appl. No.: **29/485,145**
- (22) Filed: **Mar. 17, 2014**

D401,864 S *	12/1998	Navera	D10/32
D456,274 S *	4/2002	Mille	D10/30
D517,928 S *	3/2006	Monachon	D10/32
D541,675 S *	5/2007	Ruchonnet	D10/38
D607,755 S *	1/2010	Kummer et al.	D10/38
D650,708 S *	12/2011	Laucella	D10/39
D658,514 S *	5/2012	Mille	D10/39
D658,515 S *	5/2012	Mille	D10/39
D658,516 S *	5/2012	Mille	D10/39
D664,047 S *	7/2012	Mille	D10/39
D673,868 S *	1/2013	Mille	D10/39
D680,885 S *	4/2013	Mille	D10/38
D689,378 S *	9/2013	Mille	D10/34
D694,657 S *	12/2013	Mille	D10/39

* cited by examiner

- (30) **Foreign Application Priority Data**
Nov. 19, 2013 (WO) DM/082220
- (51) **LOC (10) CL.** **10-02**
- (52) **U.S. CL.**
USPC **D10/38**
- (58) **Field of Classification Search**
USPC D10/30-39, 122-132; 368/276, 281,
368/282, 285
See application file for complete search history.

Primary Examiner — Lucy Lieberman
(74) *Attorney, Agent, or Firm* — Donald J. Ranft; Collen IP

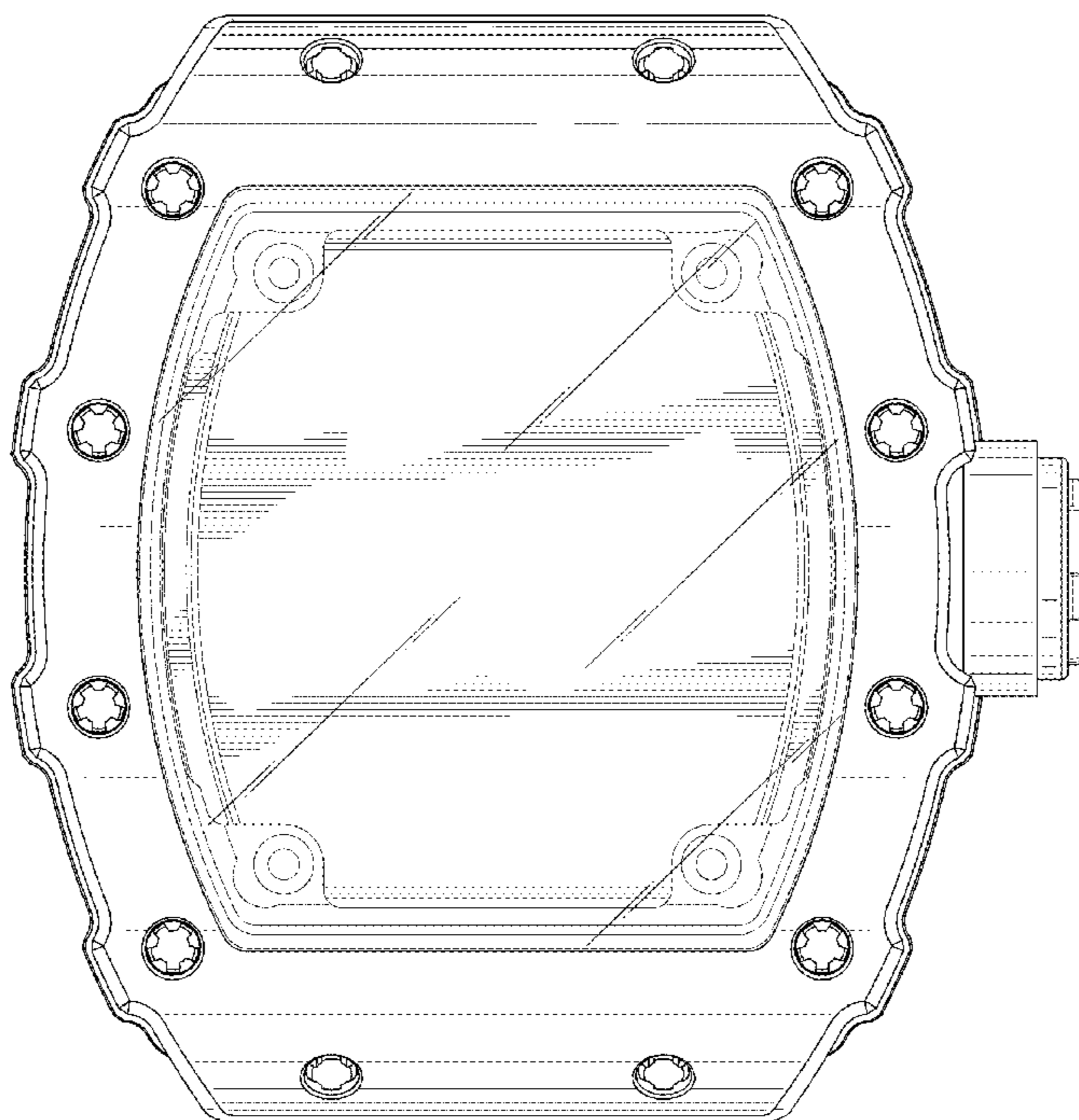
(57) **CLAIM**
The ornamental design for a watchcase, as shown.

DESCRIPTION

FIG. 1 is a front right perspective view of a watchcase showing my new design;
FIG. 2 is a front left perspective view thereof;
FIG. 3 is a rear right perspective view thereof;
FIG. 4 is a rear left perspective view thereof;
FIG. 5 is a front view thereof;
FIG. 6 is a rear view thereof;
FIG. 7 is a left side view thereof;
FIG. 8 is a right side view thereof;
FIG. 9 is a top view thereof; and,
FIG. 10 is a bottom view thereof.

- (56) **References Cited**
U.S. PATENT DOCUMENTS
D80,999 S * 4/1930 Conant D10/38
1,905,682 A * 4/1933 Carlson 368/281
D151,301 S * 10/1948 Tuffo D10/31
2,518,163 A * 8/1950 Megar 63/4
D327,440 S * 6/1992 Galli D11/32
D382,495 S * 8/1997 Chun D10/32
D384,295 S * 9/1997 Riley D10/30

1 Claim, 10 Drawing Sheets



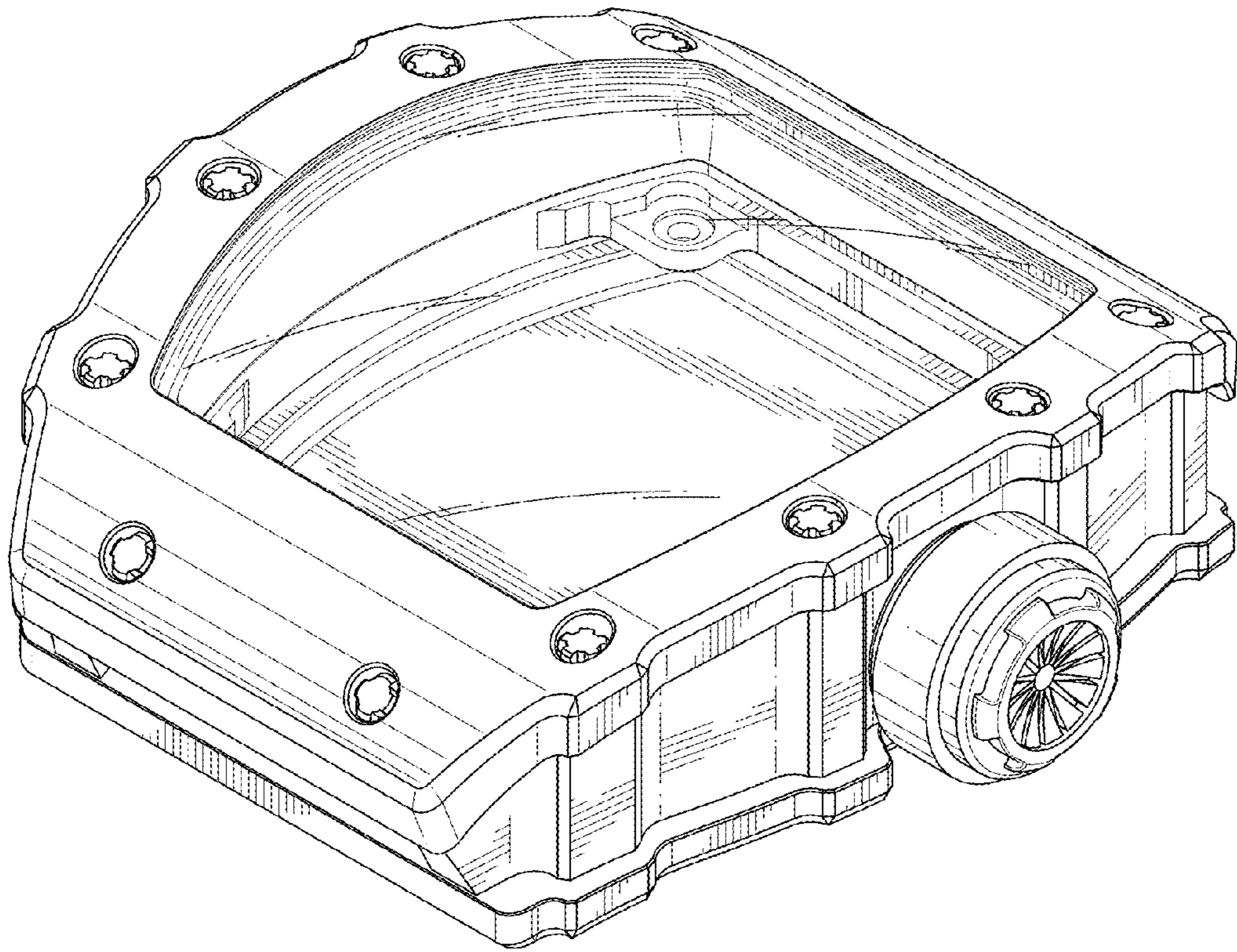


FIG. 1

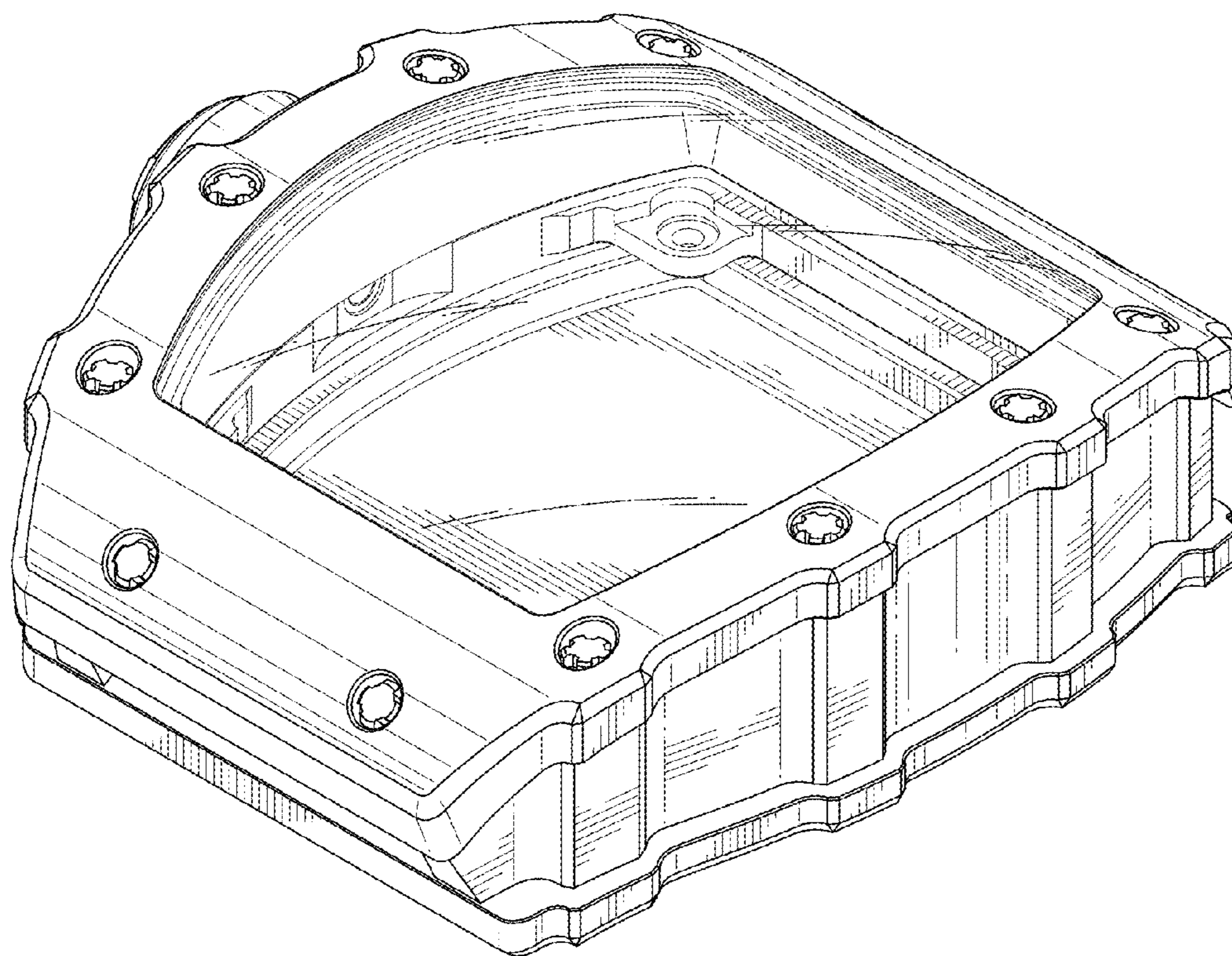


FIG.2

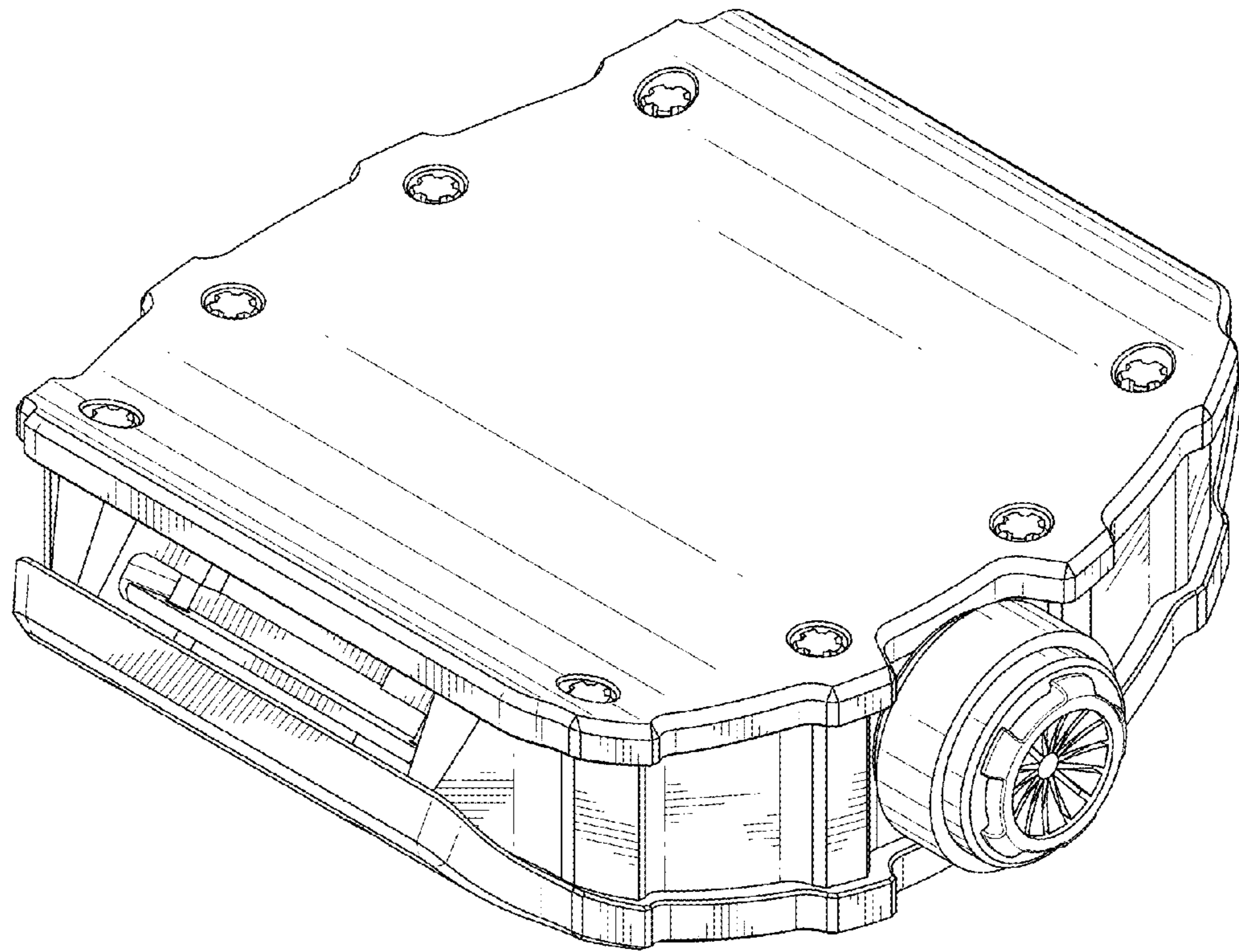


FIG.3

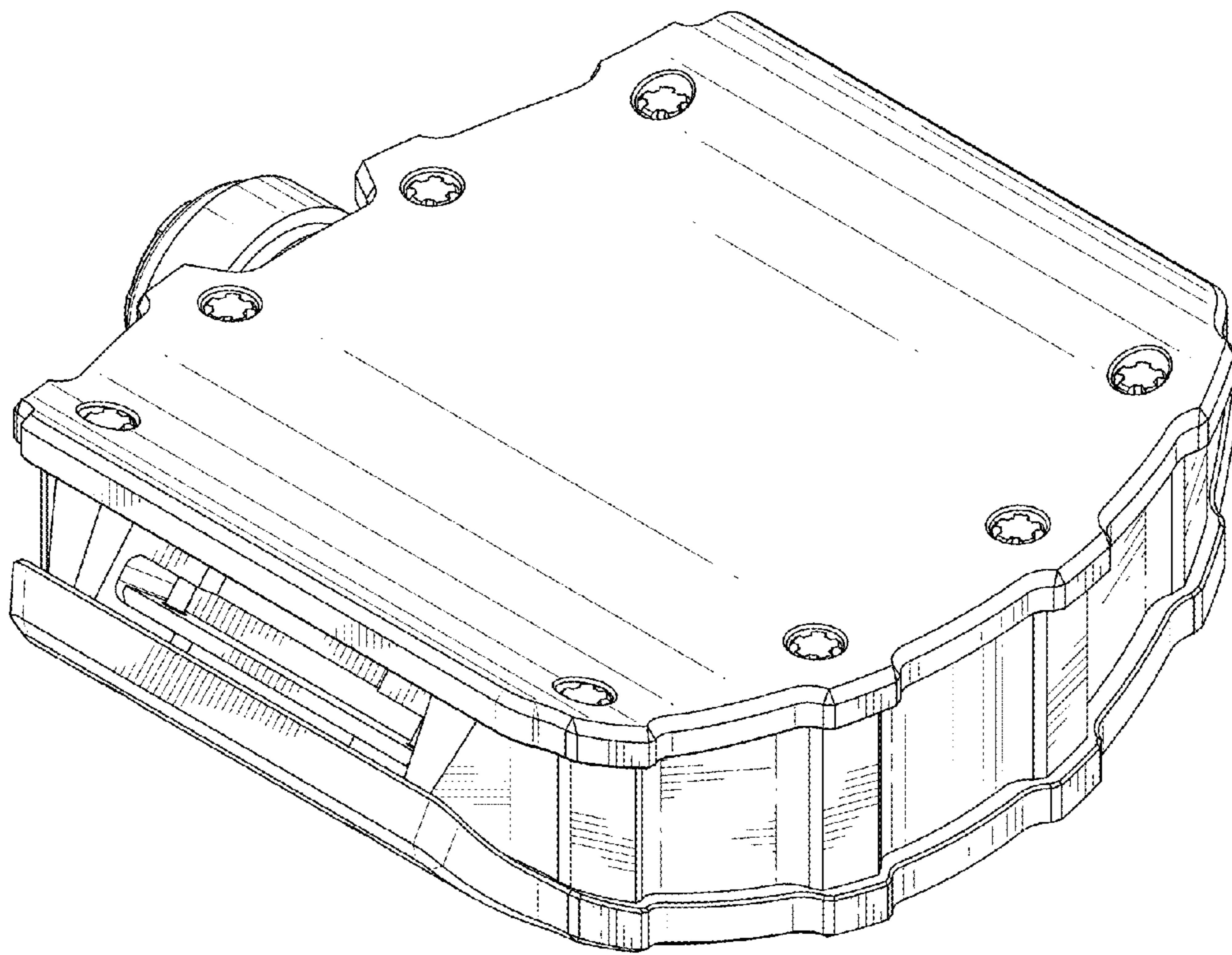


FIG.4

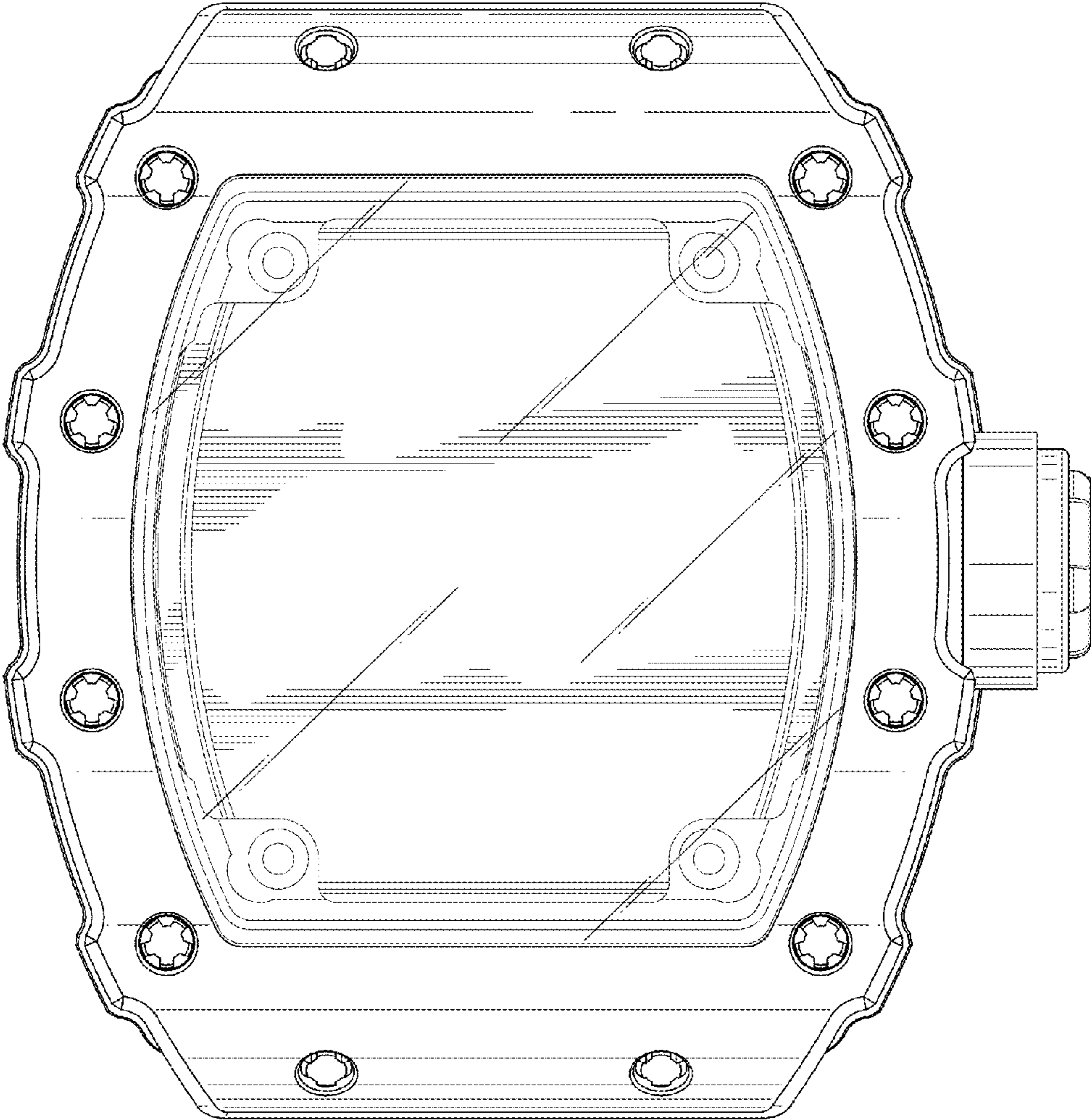


FIG.5

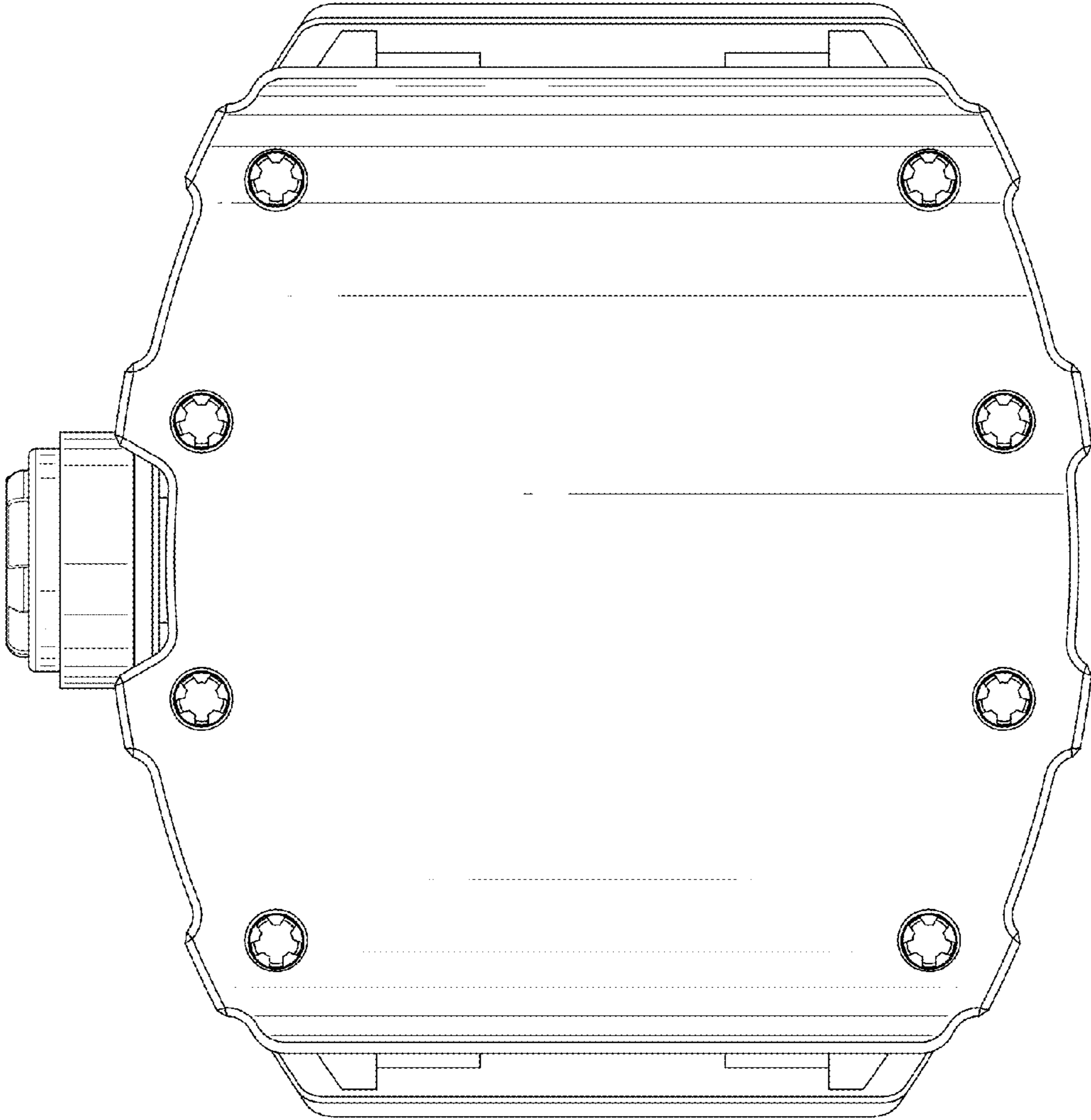


FIG.6

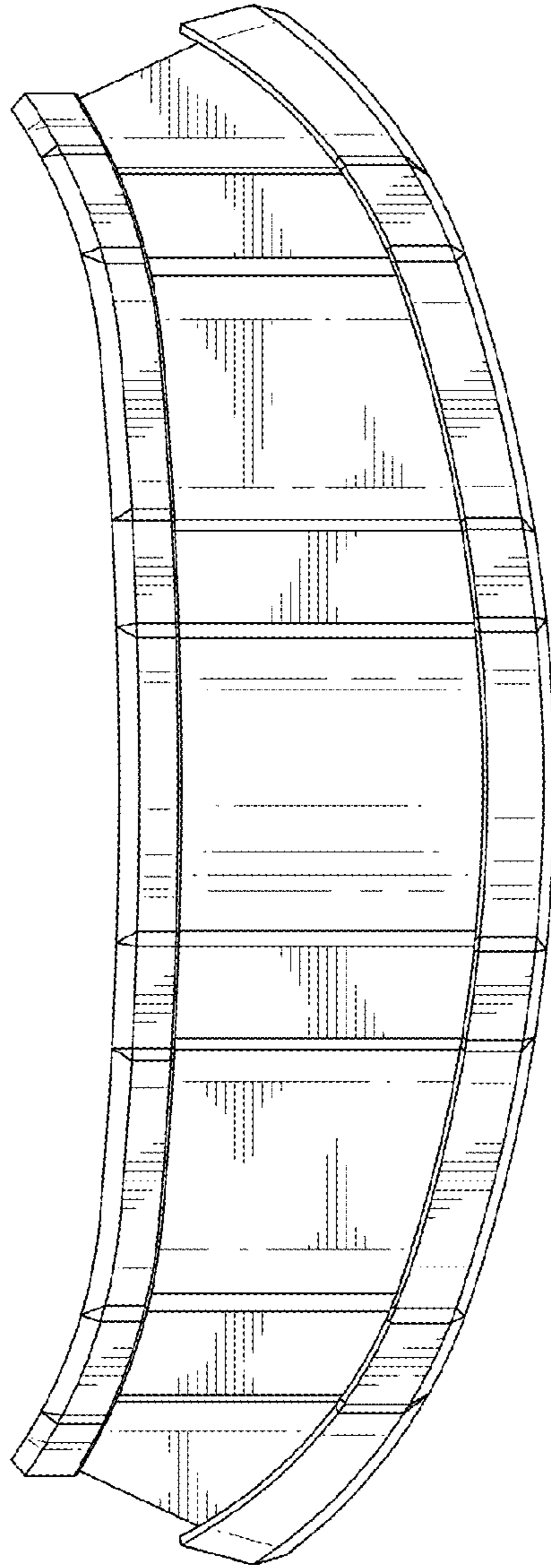


FIG. 7

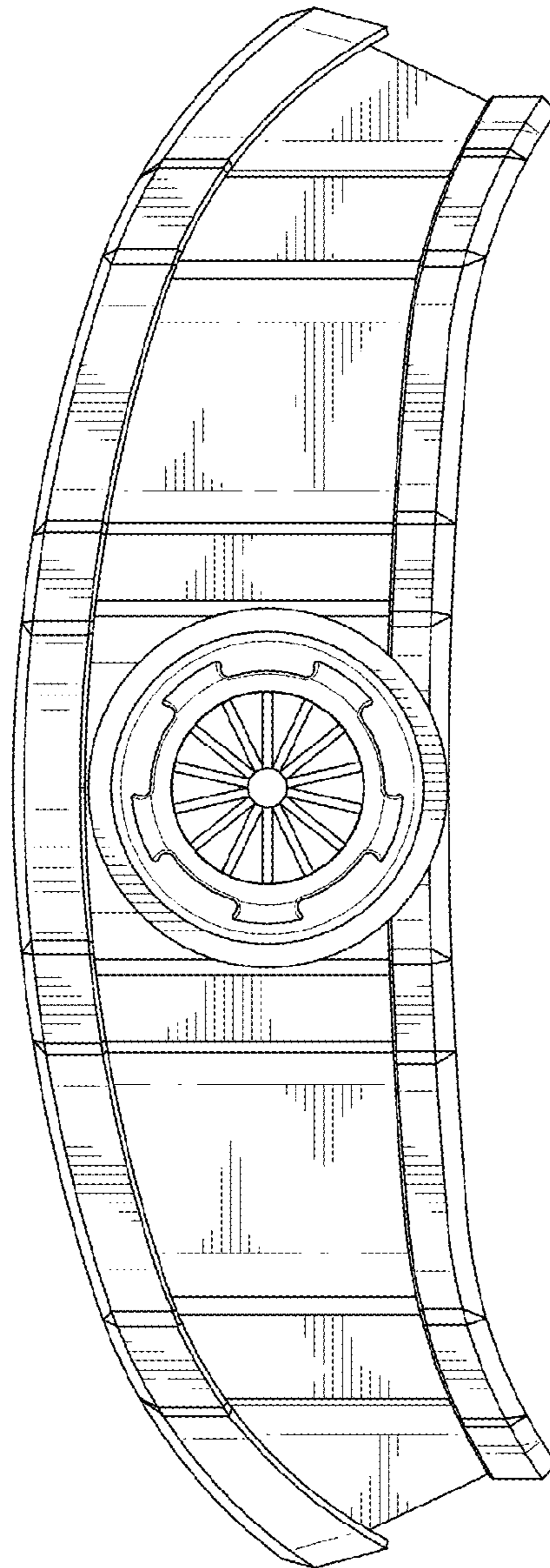


FIG.8

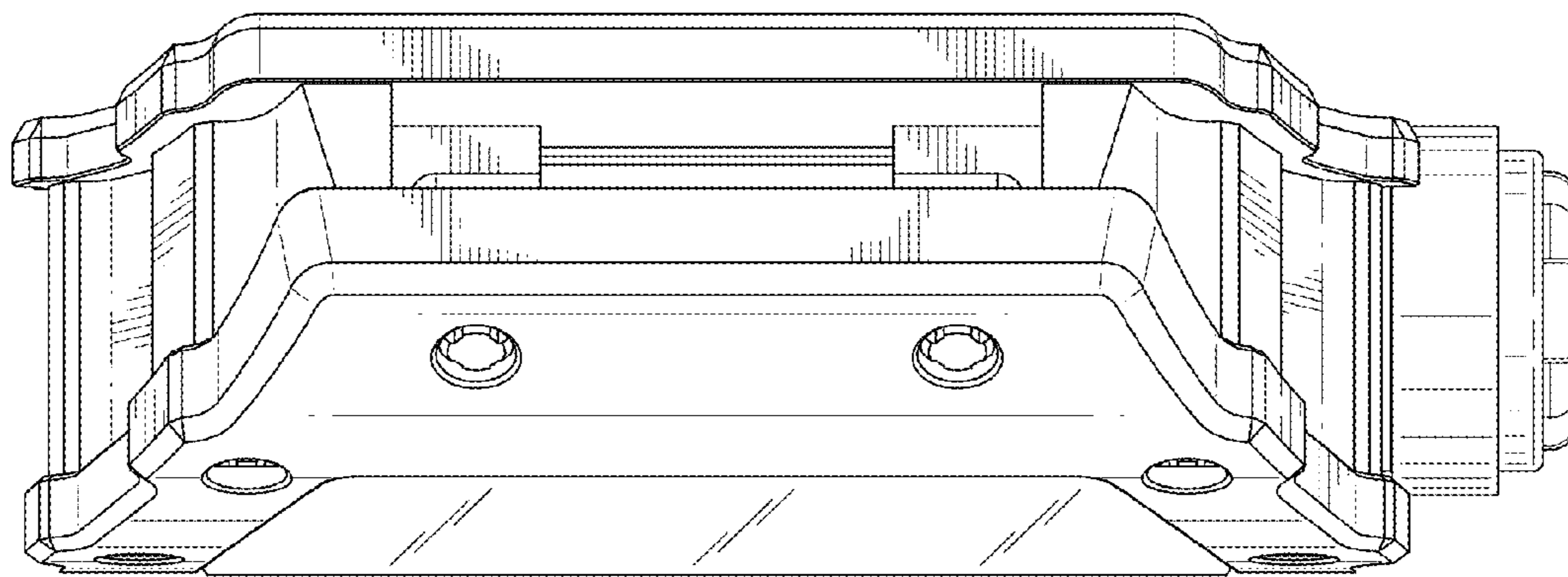


FIG. 9

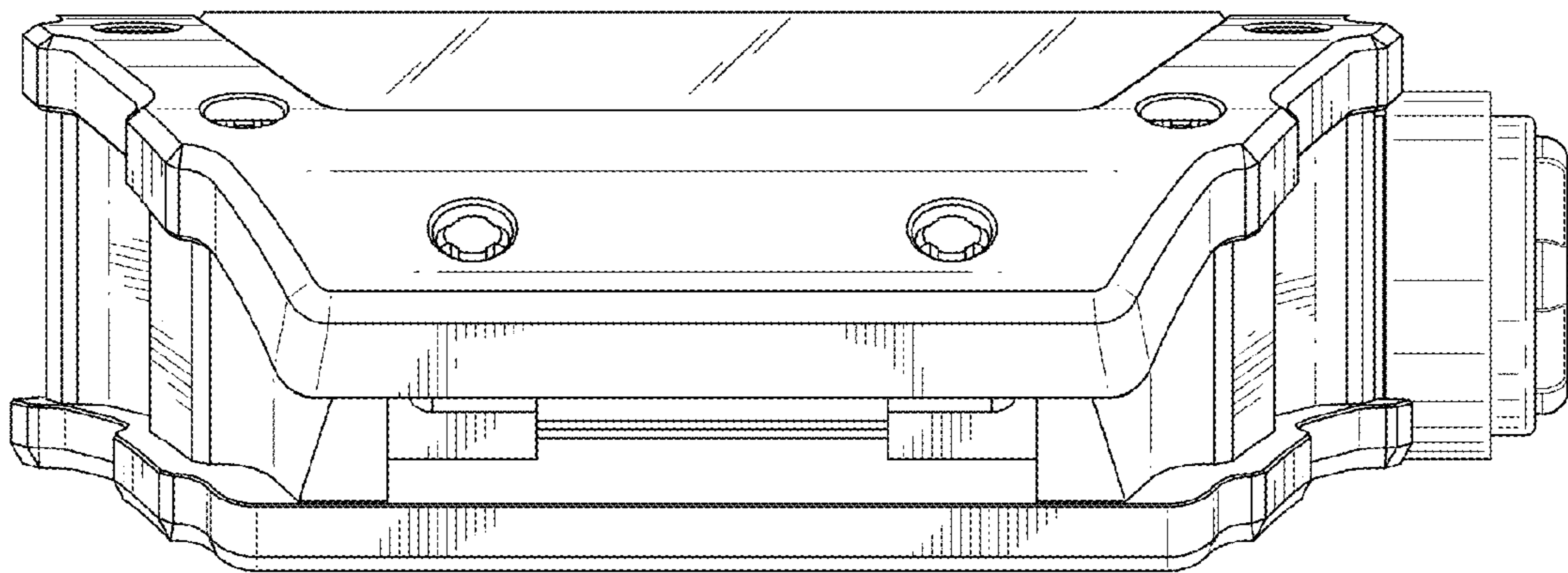


FIG. 10